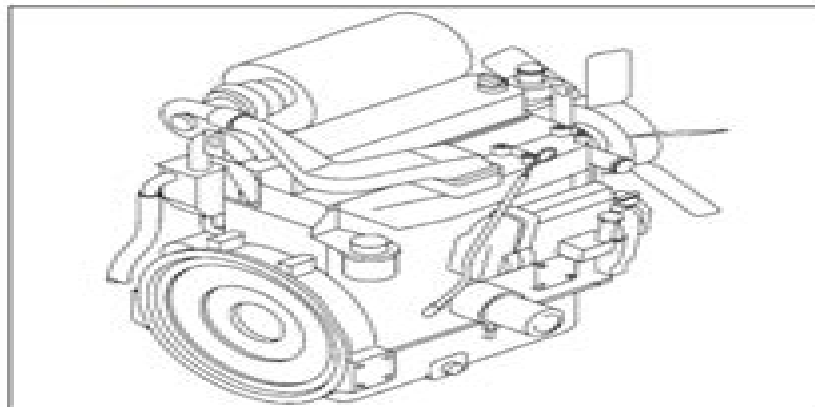


# **ISUZU 4JG1-TPA Engine**

**(P/N 185187)**

**Used in: Gehl CTL70 and  
Mustang MTL20 Track Loaders**



**ENGINE PARTS MANUAL**

Form No.  
**917063**

Revision B  
01/07

# Isuzu 4jg1 Parts Manual

**S Ben Porath**



## **Isuzu 4jg1 Parts Manual:**

As recognized, adventure as without difficulty as experience practically lesson, amusement, as competently as settlement can be gotten by just checking out a ebook **Isuzu 4jg1 Parts Manual** after that it is not directly done, you could acknowledge even more in relation to this life, roughly the world.

We have enough money you this proper as skillfully as easy quirk to acquire those all. We present Isuzu 4jg1 Parts Manual and numerous book collections from fictions to scientific research in any way. among them is this Isuzu 4jg1 Parts Manual that can be your partner.

<http://www.armchairempire.com/book/browse/default.aspx/Honda%20Gx%20670%20V%20Twin%20Service%20Manual.pdf>

## **Table of Contents Isuzu 4jg1 Parts Manual**

1. Understanding the eBook Isuzu 4jg1 Parts Manual
  - The Rise of Digital Reading Isuzu 4jg1 Parts Manual
  - Advantages of eBooks Over Traditional Books
2. Identifying Isuzu 4jg1 Parts Manual
  - Exploring Different Genres
  - Considering Fiction vs. Non-Fiction
  - Determining Your Reading Goals
3. Choosing the Right eBook Platform
  - Popular eBook Platforms
  - Features to Look for in an Isuzu 4jg1 Parts Manual
  - User-Friendly Interface
4. Exploring eBook Recommendations from Isuzu 4jg1 Parts Manual
  - Personalized Recommendations
  - Isuzu 4jg1 Parts Manual User Reviews and Ratings
  - Isuzu 4jg1 Parts Manual and Bestseller Lists
5. Accessing Isuzu 4jg1 Parts Manual Free and Paid eBooks

- Isuzu 4jg1 Parts Manual Public Domain eBooks
  - Isuzu 4jg1 Parts Manual eBook Subscription Services
  - Isuzu 4jg1 Parts Manual Budget-Friendly Options
6. Navigating Isuzu 4jg1 Parts Manual eBook Formats
- ePub, PDF, MOBI, and More
  - Isuzu 4jg1 Parts Manual Compatibility with Devices
  - Isuzu 4jg1 Parts Manual Enhanced eBook Features
7. Enhancing Your Reading Experience
- Adjustable Fonts and Text Sizes of Isuzu 4jg1 Parts Manual
  - Highlighting and Note-Taking Isuzu 4jg1 Parts Manual
  - Interactive Elements Isuzu 4jg1 Parts Manual
8. Staying Engaged with Isuzu 4jg1 Parts Manual
- Joining Online Reading Communities
  - Participating in Virtual Book Clubs
  - Following Authors and Publishers Isuzu 4jg1 Parts Manual
9. Balancing eBooks and Physical Books Isuzu 4jg1 Parts Manual
- Benefits of a Digital Library
  - Creating a Diverse Reading Collection Isuzu 4jg1 Parts Manual
10. Overcoming Reading Challenges
- Dealing with Digital Eye Strain
  - Minimizing Distractions
  - Managing Screen Time
11. Cultivating a Reading Routine Isuzu 4jg1 Parts Manual
- Setting Reading Goals Isuzu 4jg1 Parts Manual
  - Carving Out Dedicated Reading Time
12. Sourcing Reliable Information of Isuzu 4jg1 Parts Manual
- Fact-Checking eBook Content of Isuzu 4jg1 Parts Manual
  - Distinguishing Credible Sources
13. Promoting Lifelong Learning
- Utilizing eBooks for Skill Development

- Exploring Educational eBooks
14. Embracing eBook Trends
- Integration of Multimedia Elements
  - Interactive and Gamified eBooks

### **Isuzu 4jg1 Parts Manual Introduction**

Free PDF Books and Manuals for Download: Unlocking Knowledge at Your Fingertips In today's fast-paced digital age, obtaining valuable knowledge has become easier than ever. Thanks to the internet, a vast array of books and manuals are now available for free download in PDF format. Whether you are a student, professional, or simply an avid reader, this treasure trove of downloadable resources offers a wealth of information, conveniently accessible anytime, anywhere. The advent of online libraries and platforms dedicated to sharing knowledge has revolutionized the way we consume information. No longer confined to physical libraries or bookstores, readers can now access an extensive collection of digital books and manuals with just a few clicks. These resources, available in PDF, Microsoft Word, and PowerPoint formats, cater to a wide range of interests, including literature, technology, science, history, and much more. One notable platform where you can explore and download free Isuzu 4jg1 Parts Manual PDF books and manuals is the internet's largest free library. Hosted online, this catalog compiles a vast assortment of documents, making it a veritable goldmine of knowledge. With its easy-to-use website interface and customizable PDF generator, this platform offers a user-friendly experience, allowing individuals to effortlessly navigate and access the information they seek. The availability of free PDF books and manuals on this platform demonstrates its commitment to democratizing education and empowering individuals with the tools needed to succeed in their chosen fields. It allows anyone, regardless of their background or financial limitations, to expand their horizons and gain insights from experts in various disciplines. One of the most significant advantages of downloading PDF books and manuals lies in their portability. Unlike physical copies, digital books can be stored and carried on a single device, such as a tablet or smartphone, saving valuable space and weight. This convenience makes it possible for readers to have their entire library at their fingertips, whether they are commuting, traveling, or simply enjoying a lazy afternoon at home. Additionally, digital files are easily searchable, enabling readers to locate specific information within seconds. With a few keystrokes, users can search for keywords, topics, or phrases, making research and finding relevant information a breeze. This efficiency saves time and effort, streamlining the learning process and allowing individuals to focus on extracting the information they need. Furthermore, the availability of free PDF books and manuals fosters a culture of continuous learning. By removing financial barriers, more people can access educational resources and pursue lifelong learning, contributing to personal growth and professional development. This democratization of knowledge promotes intellectual curiosity and empowers

individuals to become lifelong learners, promoting progress and innovation in various fields. It is worth noting that while accessing free Isuzu 4jg1 Parts Manual PDF books and manuals is convenient and cost-effective, it is vital to respect copyright laws and intellectual property rights. Platforms offering free downloads often operate within legal boundaries, ensuring that the materials they provide are either in the public domain or authorized for distribution. By adhering to copyright laws, users can enjoy the benefits of free access to knowledge while supporting the authors and publishers who make these resources available. In conclusion, the availability of Isuzu 4jg1 Parts Manual free PDF books and manuals for download has revolutionized the way we access and consume knowledge. With just a few clicks, individuals can explore a vast collection of resources across different disciplines, all free of charge. This accessibility empowers individuals to become lifelong learners, contributing to personal growth, professional development, and the advancement of society as a whole. So why not unlock a world of knowledge today? Start exploring the vast sea of free PDF books and manuals waiting to be discovered right at your fingertips.

### **FAQs About Isuzu 4jg1 Parts Manual Books**

How do I know which eBook platform is the best for me? Finding the best eBook platform depends on your reading preferences and device compatibility. Research different platforms, read user reviews, and explore their features before making a choice. Are free eBooks of good quality? Yes, many reputable platforms offer high-quality free eBooks, including classics and public domain works. However, make sure to verify the source to ensure the eBook credibility. Can I read eBooks without an eReader? Absolutely! Most eBook platforms offer webbased readers or mobile apps that allow you to read eBooks on your computer, tablet, or smartphone. How do I avoid digital eye strain while reading eBooks? To prevent digital eye strain, take regular breaks, adjust the font size and background color, and ensure proper lighting while reading eBooks. What the advantage of interactive eBooks? Interactive eBooks incorporate multimedia elements, quizzes, and activities, enhancing the reader engagement and providing a more immersive learning experience. Isuzu 4jg1 Parts Manual is one of the best book in our library for free trial. We provide copy of Isuzu 4jg1 Parts Manual in digital format, so the resources that you find are reliable. There are also many Ebooks of related with Isuzu 4jg1 Parts Manual. Where to download Isuzu 4jg1 Parts Manual online for free? Are you looking for Isuzu 4jg1 Parts Manual PDF? This is definitely going to save you time and cash in something you should think about. If you trying to find then search around for online. Without a doubt there are numerous these available and many of them have the freedom. However without doubt you receive whatever you purchase. An alternate way to get ideas is always to check another Isuzu 4jg1 Parts Manual. This method for see exactly what may be included and adopt these ideas to your book. This site will almost certainly help you save time and effort, money and stress. If

you are looking for free books then you really should consider finding to assist you try this. Several of Isuzu 4jg1 Parts Manual are for sale to free while some are payable. If you arent sure if the books you would like to download works with for usage along with your computer, it is possible to download free trials. The free guides make it easy for someone to free access online library for download books to your device. You can get free download on free trial for lots of books categories. Our library is the biggest of these that have literally hundreds of thousands of different products categories represented. You will also see that there are specific sites catered to different product types or categories, brands or niches related with Isuzu 4jg1 Parts Manual. So depending on what exactly you are searching, you will be able to choose e books to suit your own need. Need to access completely for Campbell Biology Seventh Edition book? Access Ebook without any digging. And by having access to our ebook online or by storing it on your computer, you have convenient answers with Isuzu 4jg1 Parts Manual To get started finding Isuzu 4jg1 Parts Manual, you are right to find our website which has a comprehensive collection of books online. Our library is the biggest of these that have literally hundreds of thousands of different products represented. You will also see that there are specific sites catered to different categories or niches related with Isuzu 4jg1 Parts Manual So depending on what exactly you are searching, you will be able to choose ebook to suit your own need. Thank you for reading Isuzu 4jg1 Parts Manual. Maybe you have knowledge that, people have search numerous times for their favorite readings like this Isuzu 4jg1 Parts Manual, but end up in harmful downloads. Rather than reading a good book with a cup of coffee in the afternoon, instead they juggled with some harmful bugs inside their laptop. Isuzu 4jg1 Parts Manual is available in our book collection an online access to it is set as public so you can download it instantly. Our digital library spans in multiple locations, allowing you to get the most less latency time to download any of our books like this one. Merely said, Isuzu 4jg1 Parts Manual is universally compatible with any devices to read.

### **Find Isuzu 4jg1 Parts Manual :**

~~[honda gx 670 v twin service manual](#)~~

~~[honda hr194 service manual](#)~~

~~[honda gx690 repair manual](#)~~

~~[honda eb2500 generator owners manual](#)~~

~~[honda dream manual](#)~~

**[honda cr v 1998 workshop manual](#)**

~~[honda g 160 manual](#)~~

~~[honda hrc215sxa shop manual](#)~~

**[honda fourtrax 300 service manual electrical](#)**



[honda hru216d manual](#)

[honda g28 manual](#)

[honda gx carburetor manual](#)

[honda homelite 5500 manual](#)

[honda gcv160 gcv190 shop manual](#)

**[honda hrz216 owners manual](#)**

### **Isuzu 4jg1 Parts Manual :**

Fundamentals of Heat and Mass Transfer 7th Edition ... Fundamentals of Heat and Mass Transfer 7th Edition Incropera Solutions Manual - Read online for free. Full download : <https://goo.gl/dzUdqE> Fundamentals of ... Fundamentals Of Heat And Mass Transfer 7th Edition ... Fundamentals of Heat and Mass Transfer 7th Edition Incropera Solutions Manual PDF ... Download as PDF, TXT or read online from Scribd. Flag for inappropriate ... Solutions manual Fundamentals of Heat and Mass ... Solutions manual Fundamentals of Heat and Mass Transfer Bergman Lavine Incropera. DeWitt 7th edition. Download full version in pdf at: Fundamentals of Heat and Mass Transfer 7th Edition ... Fundamentals of heat and mass transfer 7th edition Bergman solutions manual - Free download as PDF File (.pdf), Text File (.txt) or read online for free. Fundamentals of Heat and Mass Transfer 7th Edition ... Fundamentals of Heat and Mass Transfer 7th Edition - Bergman, Lavine, Incropera ... Available Formats. PDF, TXT or read online from Scribd. Share this document ... Fundamentals of Heat and Mass Transfer 7th Edition ... Solution Manual for Fundamentals of Thermal Fluid Sciences 5th Edition Yunus Cengel Robert Turner John Cimbala ... Copyright © 2023 Scribd Inc. Fundamentals of Heat and Mass Transfer CH 2 Solutions FIND: Sketch temperature distribution and explain shape of curve. SCHEMATIC: ASSUMPTIONS: (1) Steady-state, one-dimensional conduction, (2) Constant properties, ... HT-027 Solution | PDF CHEMICAL ENGINEERING SERIES: HEAT TRANSFER. SOLVED PROBLEMS. A stainless steel (AISI 304),  $k = 14.2 \text{ W/mK}$ , tube used to transport a chilled pharmaceutical Solution Manual For Fundamentals of Heat and Mass ... Solution Manual for Fundamentals of Heat and Mass Transfer 8th Edition Bergman - Free download as PDF File (.pdf), Text File (.txt) or read online for free. Fundamentals of Heat and Mass Transfer Incropera 6th ... Fundamentals of Heat and Mass Transfer Incropera 6th Edition Solutions Manual Click here to download immediately!!! - the file contains solutions and ... Glencoe Mcgraw Hill Pre Algebra Answer Key WebChapter 1 A3 Glencoe Algebra 2 Answers Answers (Lesson 1-1) Skills Practice Expressions and Formulas Find the value of each expression. 1. 18 2 3 27 2. Glencoe Pre-Algebra answers & resources Homework Practice Workbook This Homework Practice Workbook gives you additional problems for the concept exercises in each lesson. Pre-Algebra Homework Practice Workbook - 1st Edition Find step-by-step solutions and answers to Pre-Algebra Homework Practice Workbook - 9780078907401, as well as

thousands of textbooks so you can move forward ... Glencoe McGraw-Hill Pre-Algebra answers & resources Glencoe pre algebra homework practice workbook answer ... Glencoe pre algebra homework practice workbook answer key pdf. HomePre-AlgebraThe resource you requested requires you to enter a username and password below ... Glencoe Pre Algebra Workbook Answer Key Pdf The workbook includes a variety of exercises, problem-solving activities, and real-world applications to help students master pre-algebra topics such as number ... Answer Key Masters (Glencoe Pre-Algebra) ... Answer Key Masters (Glencoe Pre-Algebra) (Glencoe Pre-Algebra) ; Or fastest delivery Thursday, December 21. Order within 21 hrs 9 mins ; 978-0028250502. See all ... Student Workbooks Scavenger Hunt Answer Sheet Science and Mathematics Lab Manual Spanish ... Pre-Algebra. Student Workbooks. Homework Practice Workbook (13850.0K) · Study ... Vertebrate Life (9th Edition) Widely praised for its comprehensive coverage and exceptionally clear writing style, this best-selling text explores how the anatomy, physiology, ecology, and ... Vertebrate Life (9th Edition) - Hardcover Widely praised for its comprehensive coverage and exceptionally clear writing style, this best-selling text explores how the anatomy, physiology, ecology, and ... Vertebrate Life, Books a la Carte Edition (9th Edition) Widely praised for its comprehensive coverage and exceptionally clear writing style, this best-selling book explores how the anatomy, physiology, ecology, and ... Vertebrate Life - F. Harvey Pough, Christine M. Janis, John ... The Ninth Edition features dozens of new figures and photos, updated information from molecular data and evolutionary development, and expanded discussions on ... Vertebrate Life by F. Harvey Pough; ... The Ninth Edition features dozens of new figures and photos, new end-of-chapter discussion questions, thoroughly updated information from molecular data and ... Vertebrate Life (9th Edition) | Wonder Book Vertebrate Life (8th Edition). By Heiser, John B. Hardcover. Price \$7.52. Free Shipping. Vertebrate Life. Vertebrate life | WorldCat.org Vertebrate life ; Authors: F. Harvey Pough (Author), Christine M. Janis, John B. Heiser ; Edition: 9th ed View all formats and editions ; Publisher: Pearson, ... Vertebrate Life (9th Edition) by Pough, F. Harvey, Janis ... Vertebrate Life (9th Edition) by Pough, F. Harvey, Janis, Christine M., Heiser, ; Item Number. 194876291663 ; Book Title. Vertebrate Life (9th Edition) ; ISBN. 9780321773364 - Vertebrate Life by F. Harvey Pough The Ninth Edition features dozens of new figures and photos, updated information from molecular data and evolutionary development, and expanded discussions on ... 9780321773364: Vertebrate Life (9th Edition) Vertebrate Life (9th Edition) ISBN 9780321773364 by Pough, F. Harvey; Ja... See the book Sell/Buy/Rent prices, more formats, FAQ & related books on ...