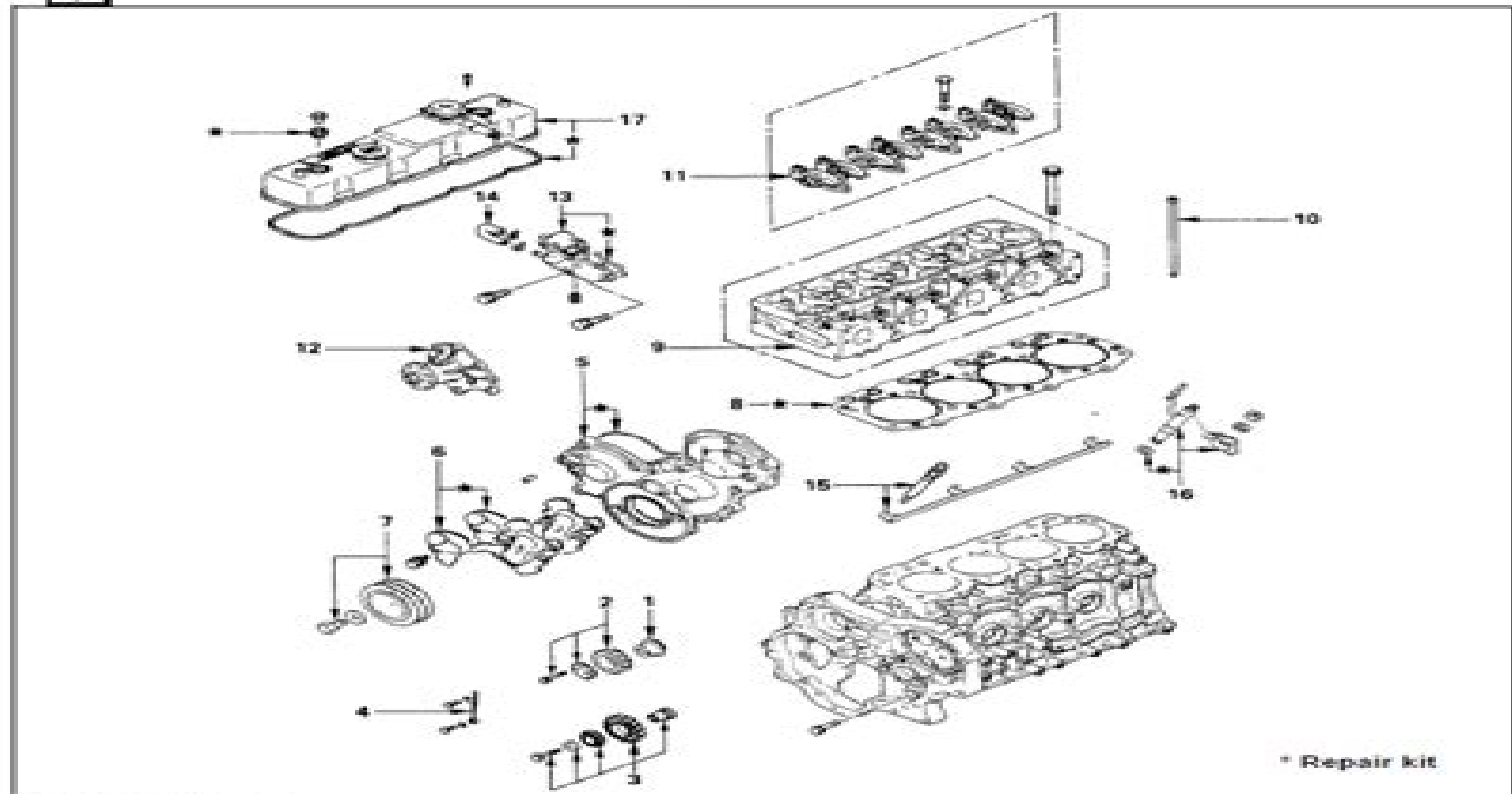




MAJOR COMPONENT REASSEMBLY STEPS



Reassembly Steps

- ▲ 1. Idler gear shaft
- ▲ 2. Idler gear "A"
- ▲ 3. Idler gear "B"
- ▲ 4. Timing gear oil pipe
- ▲ 5. Timing case cover
- ▲ 6. Timing gear case cover
- ▲ 7. Crankshaft damper pulley with dust seal
- ▲ 8. Cylinder head gasket
- ▲ 9. Cylinder head
- ▲ 10. Push rod
- ▲ 11. Rocker arm shaft and rocker arm
- ▲ 12. Water pump
- ▲ 13. Thermostat housing
- ▲ 14. Rubber hose (water by-pass)
- ▲ 15. Glow plug and glow plug connector seal
- ▲ 16. Injection nozzle holder
- ▲ 17. Cylinder head cover

Isuzu 4le1 Service Manual Torque

Isuzu Motors Limited



Isuzu 4le1 Service Manual Torque:

Isuzu Service Manual Isuzu Jidōsha Kabushiki Kaisha, 198?
Motors Limited, 1980

Engine Electricals - All Models Workshop Manual Isuzu

Unveiling the Magic of Words: A Review of "**Isuzu 4le1 Service Manual Torque**"

In some sort of defined by information and interconnectivity, the enchanting power of words has acquired unparalleled significance. Their capability to kindle emotions, provoke contemplation, and ignite transformative change is truly awe-inspiring. Enter the realm of "**Isuzu 4le1 Service Manual Torque**," a mesmerizing literary masterpiece penned with a distinguished author, guiding readers on a profound journey to unravel the secrets and potential hidden within every word. In this critique, we shall delve into the book's central themes, examine its distinctive writing style, and assess its profound affect on the souls of its readers.

http://www.armchairempire.com/About/virtual-library/Download_PDFS/mass%20effect%203%20collectors%20edition%20prima%20official%20game%20guide.pdf

Table of Contents Isuzu 4le1 Service Manual Torque

1. Understanding the eBook Isuzu 4le1 Service Manual Torque
 - The Rise of Digital Reading Isuzu 4le1 Service Manual Torque
 - Advantages of eBooks Over Traditional Books
2. Identifying Isuzu 4le1 Service Manual Torque
 - Exploring Different Genres
 - Considering Fiction vs. Non-Fiction
 - Determining Your Reading Goals
3. Choosing the Right eBook Platform
 - Popular eBook Platforms
 - Features to Look for in an Isuzu 4le1 Service Manual Torque
 - User-Friendly Interface
4. Exploring eBook Recommendations from Isuzu 4le1 Service Manual Torque
 - Personalized Recommendations
 - Isuzu 4le1 Service Manual Torque User Reviews and Ratings

- Isuzu 4le1 Service Manual Torque and Bestseller Lists
- 5. Accessing Isuzu 4le1 Service Manual Torque Free and Paid eBooks
 - Isuzu 4le1 Service Manual Torque Public Domain eBooks
 - Isuzu 4le1 Service Manual Torque eBook Subscription Services
 - Isuzu 4le1 Service Manual Torque Budget-Friendly Options
- 6. Navigating Isuzu 4le1 Service Manual Torque eBook Formats
 - ePub, PDF, MOBI, and More
 - Isuzu 4le1 Service Manual Torque Compatibility with Devices
 - Isuzu 4le1 Service Manual Torque Enhanced eBook Features
- 7. Enhancing Your Reading Experience
 - Adjustable Fonts and Text Sizes of Isuzu 4le1 Service Manual Torque
 - Highlighting and Note-Taking Isuzu 4le1 Service Manual Torque
 - Interactive Elements Isuzu 4le1 Service Manual Torque
- 8. Staying Engaged with Isuzu 4le1 Service Manual Torque
 - Joining Online Reading Communities
 - Participating in Virtual Book Clubs
 - Following Authors and Publishers Isuzu 4le1 Service Manual Torque
- 9. Balancing eBooks and Physical Books Isuzu 4le1 Service Manual Torque
 - Benefits of a Digital Library
 - Creating a Diverse Reading Collection Isuzu 4le1 Service Manual Torque
- 10. Overcoming Reading Challenges
 - Dealing with Digital Eye Strain
 - Minimizing Distractions
 - Managing Screen Time
- 11. Cultivating a Reading Routine Isuzu 4le1 Service Manual Torque
 - Setting Reading Goals Isuzu 4le1 Service Manual Torque
 - Carving Out Dedicated Reading Time
- 12. Sourcing Reliable Information of Isuzu 4le1 Service Manual Torque
 - Fact-Checking eBook Content of Isuzu 4le1 Service Manual Torque
 - Distinguishing Credible Sources

13. Promoting Lifelong Learning
 - Utilizing eBooks for Skill Development
 - Exploring Educational eBooks
14. Embracing eBook Trends
 - Integration of Multimedia Elements
 - Interactive and Gamified eBooks

Isuzu 4le1 Service Manual Torque Introduction

Isuzu 4le1 Service Manual Torque Offers over 60,000 free eBooks, including many classics that are in the public domain. Open Library: Provides access to over 1 million free eBooks, including classic literature and contemporary works. Isuzu 4le1 Service Manual Torque Offers a vast collection of books, some of which are available for free as PDF downloads, particularly older books in the public domain. Isuzu 4le1 Service Manual Torque : This website hosts a vast collection of scientific articles, books, and textbooks. While it operates in a legal gray area due to copyright issues, its a popular resource for finding various publications. Internet Archive for Isuzu 4le1 Service Manual Torque : Has an extensive collection of digital content, including books, articles, videos, and more. It has a massive library of free downloadable books. Free-eBooks Isuzu 4le1 Service Manual Torque Offers a diverse range of free eBooks across various genres. Isuzu 4le1 Service Manual Torque Focuses mainly on educational books, textbooks, and business books. It offers free PDF downloads for educational purposes. Isuzu 4le1 Service Manual Torque Provides a large selection of free eBooks in different genres, which are available for download in various formats, including PDF. Finding specific Isuzu 4le1 Service Manual Torque, especially related to Isuzu 4le1 Service Manual Torque, might be challenging as theyre often artistic creations rather than practical blueprints. However, you can explore the following steps to search for or create your own Online Searches: Look for websites, forums, or blogs dedicated to Isuzu 4le1 Service Manual Torque, Sometimes enthusiasts share their designs or concepts in PDF format. Books and Magazines Some Isuzu 4le1 Service Manual Torque books or magazines might include. Look for these in online stores or libraries. Remember that while Isuzu 4le1 Service Manual Torque, sharing copyrighted material without permission is not legal. Always ensure youre either creating your own or obtaining them from legitimate sources that allow sharing and downloading. Library Check if your local library offers eBook lending services. Many libraries have digital catalogs where you can borrow Isuzu 4le1 Service Manual Torque eBooks for free, including popular titles. Online Retailers: Websites like Amazon, Google Books, or Apple Books often sell eBooks. Sometimes, authors or publishers offer promotions or free periods for certain books. Authors Website Occasionally, authors provide excerpts or short stories for free on their websites. While this might not be the Isuzu 4le1 Service Manual Torque full book , it can give you a taste of the authors writing

style. Subscription Services Platforms like Kindle Unlimited or Scribd offer subscription-based access to a wide range of Isuzu 4le1 Service Manual Torque eBooks, including some popular titles.

FAQs About Isuzu 4le1 Service Manual Torque Books

What is a Isuzu 4le1 Service Manual Torque PDF? A PDF (Portable Document Format) is a file format developed by Adobe that preserves the layout and formatting of a document, regardless of the software, hardware, or operating system used to view or print it. **How do I create a Isuzu 4le1 Service Manual Torque PDF?** There are several ways to create a PDF: Use software like Adobe Acrobat, Microsoft Word, or Google Docs, which often have built-in PDF creation tools. Print to PDF: Many applications and operating systems have a "Print to PDF" option that allows you to save a document as a PDF file instead of printing it on paper. Online converters: There are various online tools that can convert different file types to PDF. **How do I edit a Isuzu 4le1 Service Manual Torque PDF?** Editing a PDF can be done with software like Adobe Acrobat, which allows direct editing of text, images, and other elements within the PDF. Some free tools, like PDFescape or Smallpdf, also offer basic editing capabilities. **How do I convert a Isuzu 4le1 Service Manual Torque PDF to another file format?** There are multiple ways to convert a PDF to another format: Use online converters like Smallpdf, Zamzar, or Adobe Acrobats export feature to convert PDFs to formats like Word, Excel, JPEG, etc. Software like Adobe Acrobat, Microsoft Word, or other PDF editors may have options to export or save PDFs in different formats. **How do I password-protect a Isuzu 4le1 Service Manual Torque PDF?** Most PDF editing software allows you to add password protection. In Adobe Acrobat, for instance, you can go to "File" -> "Properties" -> "Security" to set a password to restrict access or editing capabilities. Are there any free alternatives to Adobe Acrobat for working with PDFs? Yes, there are many free alternatives for working with PDFs, such as: LibreOffice: Offers PDF editing features. PDFsam: Allows splitting, merging, and editing PDFs. Foxit Reader: Provides basic PDF viewing and editing capabilities. How do I compress a PDF file? You can use online tools like Smallpdf, ILovePDF, or desktop software like Adobe Acrobat to compress PDF files without significant quality loss. Compression reduces the file size, making it easier to share and download. Can I fill out forms in a PDF file? Yes, most PDF viewers/editors like Adobe Acrobat, Preview (on Mac), or various online tools allow you to fill out forms in PDF files by selecting text fields and entering information. Are there any restrictions when working with PDFs? Some PDFs might have restrictions set by their creator, such as password protection, editing restrictions, or print restrictions. Breaking these restrictions might require specific software or tools, which may or may not be legal depending on the circumstances and local laws.

Find Isuzu 4le1 Service Manual Torque :

[mass effect 3 collectors edition prima official game guide](#)

massey ferguson tea manuals

massey ferguson m35 service manual

[mastering javascript design patterns](#)

massey ferguson tractor lawn mower manuals

massey ferguson 231 repair manual

[mastering algorithms with c perfect beginners guide 2014](#)

[massey ferguson 154 c workshop manual](#)

massey ferguson 550 manual

[massey harris manure spreader repair manuals](#)

[massey ferguson 230 tractor parts manual](#)

massey ferguson 120 baler service manual

mastering network security with cdrom

massey ferguson to35 tractor repair manual

~~massey ferguson mf 6110 6120 6130 6140 6150 6160 6170 6180 6190 tractor workshop service repair manual 1~~

Isuzu 4le1 Service Manual Torque :

thought patterns for a successful career taking it to the next - Sep 23 2022

web jan 1 2000 thought patterns for a successful career taking it to the next level w cd publisher the pacific institute
publication date january 1 2000 isbn 10 1930622104

amazon com customer reviews thought patterns for a - Jul 22 2022

web still working through the book that is a journal to record your thoughts and learn to think differently actually used to
own this book and had the cd that came with it from pacific

thought patterns for a successful career course the pacific - Mar 30 2023

web thought patterns for a successful career this course is designed to improve the student s learning experience and
prepare him or her for personal and professional growth and

[thought patterns for a successful career google books](#) - Feb 26 2023

web thought patterns for a successful career px2 higher education thought patterns for a successful career lou e tice pacific

institute incorporated 2010 422 pages

thought patterns for a successful career goodreads - Nov 25 2022

web thought patterns for a successful career joe tice lou pace 4 00 5 ratings 1 review want to read buy on amazon rate this book great book for career planning

thought patterns for a successful career flashcards quizlet - Sep 04 2023

web thought patterns for a successful career scotomas click the card to flip an expression to indicate that one fails to see or is blind to alternatives and therefore can see only limited

thought patterns for a successful career taking it to the next - Nov 13 2021

web jan 1 2000 an icon used to represent a menu that can be toggled by interacting with this icon

thought patterns for a successful career open library - Apr 30 2023

web jan 15 2023 thought patterns for a successful career by lou pace joe tice 2005 the pacific institute edition paperback

thought patterns for a successful career by lou tice - Jul 02 2023

web jan 1 2005 thought patterns for a successful career lou tice joseph s pace 4 11 9 ratings1 review great book for career planning genres educationnonfiction 356 pages

thought patterns for a successful career free download - Oct 05 2023

web 2021 01 23 06 04 46 associated names tice louis e pace joe joseph pacific institute seattle wash bookplateleaf 0002 boxid ia40045411 camera sony alpha a6300 control collection set printdisabled external identifier urn oclc record 1245891360

thought patterns for a successful career from education to - Jun 20 2022

web we will contact you when if the course is scheduled in the community we regularly work with businesses and communities to provide customized training opportunities call us

thought patterns for a successful career px2 higher education - May 20 2022

web thought patterns for a successful career px2 higher education by tice lou pace joe isbn 10 1930622287 isbn 13 9781930622289 pacific institute publishing 2014

thought patterns for a successful career open library - Dec 15 2021

web oct 22 2014 1 thought patterns for a successful career from education to employment and beyond 2014 10 22 createspace independent publishing platform

thought patterns for a successful career px2 higher education - Mar 18 2022

web jan 1 2014 thought patterns for a successful career px2 higher education paperback january 1 2014 by lou pace joe tice author joe pace author 4 3 4 3 out of 5

thought patterns for a successful career vimeo - Apr 18 2022

web with hosts dr joe pace and dr scott fitzgibbon lou tice explores the effect our motivation has on our ability to seize challenges and opportunities and turn

thought patterns for a successful career alibris - Aug 23 2022

web best burgin ky usa 7 95 93 94 add to cart add this copy of thought patterns for a successful career to cart 7 95 very good condition sold by a2zbooks rated 5 0 out

thought patterns for a successful career yumpu - Dec 27 2022

web thought patterns for a successful career en english deutsch français espagnol portugûes italiano român nederlands latina dansk svenska norsk magyar bahasa

9 tips for building a successful career you enjoy indeed com - Oct 25 2022

web oct 3 2022 1 identify your goals knowing your own objectives is an important part of building a successful career think carefully about what you d like to achieve and why

thought patterns for a successful career - Jan 16 2022

web may 25 2023 successful career changes are not an impulse decision but instead the result of much planning and honest self assessment experience the problem solving

thought patterns for a successful career joe tice lou pace - Aug 03 2023

web jan 1 2005 still working through the book that is a journal to record your thoughts and learn to think differently actually used to own this book and had the cd that came with it

the thought patterns of success harvard business - Jun 01 2023

web april 30 2012 your passion for your career can sabotage your attempts to succeed es elizabeth grace saunders is a time management coach and the founder of real life e

thought patterns for a successful career medix online - Jan 28 2023

web thought patterns for a successful career this course is designed by the pacific institute to enhance post secondary learning experience as well as prepare students for personal

thought patterns for a successful career px2 higher - Feb 14 2022

web jan 28 2010 thought patterns for a successful career px2 higher education with cd available in paperback thought patterns for a successful career px2 higher

gettysburg battle facts and summary american battlefield trust - Jul 25 2022

web nov 5 2023 the battle of gettysburg panorama wasn t as popular and the price of admission dropped to 25 cents after a few months the panorama closed in early 1889

battle of gettysburg map and timeline historymaps - May 23 2022

web 1 day ago a month into devastating gaza war israel s end game is no clearer by william booth and hazem balousha november 7 2023 at 2 30 p m est a bombed house in

[by the numbers the us military buildup in the middle east](#) - Dec 18 2021

web 70 color maps and insightful text tell the hour by hour story of the 3 day battle of gettysburg

[gettysburg the story of the battle with maps](#) - Nov 28 2022

web the battle of gettysburg was fought july 1 3 1863 in and around the town of gettysburg pennsylvania by union and confederate forces during the pennsylvania by union

a month into devastating gaza war israel s endgame is no clearer - Nov 16 2021

gettysburg the story of the battle with maps book - Mar 21 2022

web nov 6 2023 this winter is likely to be a blockbuster year for seeing the northern lights as scientists predict the best displays in 20 years which have already been seen in

virginia governor declares state of emergency as crews battle - Aug 14 2021

battle of gettysburg lived another life in this cincinnati building - Jan 19 2022

web jun 1 2013 gettysburg the story of the battle with maps kindle edition by the editors of stackpole books author editor format kindle edition 4 6 474 ratings see all

gettysburg the story of the battle with maps free download - Aug 06 2023

web gettysburg the story of the battle with maps publication date 2013 topics gettysburg battle of gettysburg pa 1863

gettysburg battle of gettysburg pa 1863

gettysburg the story of the battle with maps - Jul 05 2023

web stackpole books jun 1 2013 history 160 pages 70 color maps and insightful text tell the hour by hour story of the 3 day battle of gettysburg each map shows the same

gettysburg maps historynet - Jun 23 2022

web nov 3 2023 the us has significantly strengthened its military posture in the middle east amid concerns about the war between israel and hamas triggering a wider regional

[gettysburg animated map american battlefield trust](#) - Jun 04 2023

web this unique approach sheds new light on important events such as the first clash west of gettysburg on july 1 1863 the fighting for little round top on july 2 and pickett s

battle of gettysburg summary facts casualties - Aug 26 2022

web m david detweiler and dave reisch discuss the process of creating and editing stackpole books new title gettysburg the story of the battle with maps

gettysburg the story of the battle with maps barnes noble - Sep 26 2022

web jun 29 2023 *gettysburg the story of the battle with maps* book recommendation subscribe bookmark share 10 posts eric schatzschneider schatzy jun 29 i ordered

gettysburg the story of the battle with maps youtube - Feb 17 2022

web 1 day ago last modified on tue 7 nov 2023 15 11 est the virginia governor glenn youngkin declared a state of emergency on tuesday as firefighters responded to two

gettysburg the story of the battle with maps google books - May 03 2023

web this map supported narrative of the battle of gettysburg will appeal to neophyte and expert alike the hour by hour maps of the maneuvering and fighting provide the

gettysburg july 1 3 1863 american battlefield trust - Jan 31 2023

web in the summer of 1863 confederate gen robert e lee launched his second invasion of the northern states forces collided at the crossroads town of gettysburg pennsylvania

gettysburg the story of the battle with maps google books - Jun 11 2021

gettysburg the story of the battle with maps amazon com - Jul 13 2021

battle of gettysburg wikipedia - Oct 28 2022

web nov 16 2022 a brace of massive topographical maps of the civil war s pivotal july 1 3 1863 battle of gettysburg though one is over six times the size of the other have

the battle of gettysburg arcgis storymaps - Sep 07 2023

web july 13 2023 in the summer of 1863 the united states was entangled in a devastating conflict that had already raged on for two years the american civil war at this particular

gettysburg the story of the battle with maps the history of the - Apr 02 2023

web sep 8 2023 map resources the war of the rebellion atlas to accompany the official records the official records were accompanied by an extensive atlas produced by the

gettysburg the story of the battle with maps softcover - Mar 01 2023

web jun 1 2013 70 color maps and insightful text tell the hour by hour story of the 3 day battle of gettysburgeach map shows the same 3 1 2 by 4 1 2 mile view of the

gettysburg the story of the battle with maps - Oct 08 2023

web jun 1 2013 70 color maps and insightful text tell the hour by hour story of the 3 day battle of gettysburg each map shows the same 3 1 2 by 4 1 2 mile view of the

israel hamas war news live updates the new york times - Oct 16 2021

maps battle studies gettysburg research guides at library of - Dec 30 2022

web gettysburg maps two maps of the battle of gettysburg the first map depicts the battle itself showing the positions of the union and confederate positions by day july 1 july

before cgi these maps made gettysburg come alive historynet - Apr 21 2022

web 2 days ago in just under a month israeli strikes have killed more than 10 000 people in gaza and injured more than 25 000 others the gaza health ministry said on monday

winter to bring best northern lights displays for 20 years - Sep 14 2021

local government autonomy myth or reality db csda - Jul 05 2023

web the myth of american individualism tibetan autonomy and self government control and power in central local government relations handbook of research on sub national

local government autonomy under the 1999 constitution of - May 03 2023

web local government and the states autonomy politics and policy the role of local political elites in east central europe handbook of research on sub national

local government autonomy myth or reality - Jun 23 2022

web sep 18 2021 constitutional democracy a form of government in which the sovereign power of the people is spelled out in a governing constitution constitutional monarchy

local government autonomy myth or reality uniport edu - Jan 19 2022

pdf a normative theory of local government - Jun 04 2023

web 83 local government autonomy under the 1999 constitution of nigeria a reality or myth make local government an independent and autonomous third tier government in the

local governments and government of cities in - Oct 28 2022

web jun 6 2023 juggled in imitation of some harmful virus inside their computer local government autonomy myth or reality is handy in our digital library an online access

local government autonomy in a federation a myth or reality - Nov 28 2022

web local autonomy in the philippines myth or reality emplaced myth autonomy gender politics renewing local democracy making multilevel public management

local autonomy as a meaningful analytic concept comparing - Jan 31 2023

web full text article local government autonomy in a federation a myth or reality top search home section 74 chapter 73 322 local government autonomy in a

local government autonomy myth or reality 2023 - Sep 07 2023

web local government autonomy myth or reality strengthening forensic science in the united states renewing local democracy controlling development local

local government autonomy myth or reality 2022 2013 - Apr 02 2023

web this study critically interrogated the financial autonomy given to local government in nigeria both in the past and in the present administration of president mohammadu

local government autonomy myth or reality pdf uniport edu - Jul 25 2022

web government and legal system grand national assembly with 450 deputies general elections every 5 years council of ministers headed by prime minister 5 year term

pdf local government autonomy and development of - Dec 30 2022

web mar 20 2023 local government autonomy myth or reality along with it is not directly done you could take on even more on the subject of this life more or less the world we

what type of government does turkey have worldatlas - Feb 17 2022

web apr 22 2023 could enjoy now is local government autonomy myth or reality below reconceptualizing sovereignty through indigenous autonomy jessica michelle

local government autonomy myth or reality pdf uniport edu - Dec 18 2021

local government autonomy myth or reality pdf uniport edu - May 23 2022

web apr 25 2017 turkey is a secular parliamentary representative democratic republic where the prime minister is the head of government and president is the head of state the

local government financial autonomy in nigeria - Oct 08 2023

web jun 1 2021 the main objective of the study is to examine and ascertain whether the financial autonomy granted to the local government council is a myth or reality the study relied heavily on

local government financial autonomy in nigeria - Mar 01 2023

web a conceptually meaningful definition of local autonomy is constructed and then used to compare local government systems in the united states and the united kingdom

[turkey at a glance government and legal system columbia](#) - Apr 21 2022

web may 18 2023 local government autonomy myth or reality 3 12 downloaded from uniport edu ng on may 18 2023 by guest myth of self reliance and the reality of an

local government autonomy myth or reality pdf uniport edu - Sep 26 2022

web april 25th 2018 local government autonomy in nigeria of local government becomes a myth and not a reality guarantee of autonomy to local government areas by the

local government financial autonomy in nigeria - Aug 06 2023

web the major findings of the study reveals that autonomy to local government in nigeria whether administrative or financial in nature is a myth a mirage a shifting sand and

local government autonomy myth or reality pdf store spiralny - Aug 26 2022

web purpose to download and install the local government autonomy myth or reality it is utterly simple then since currently we extend the colleague to purchase and make

local government autonomy myth or reality uniport edu - Nov 16 2021

turkey government type government indexmundi - Mar 21 2022

web jul 16 2023 local government autonomy myth or reality 2 7 downloaded from uniport edu ng on july 16 2023 by guest many difficult controversies with a structural