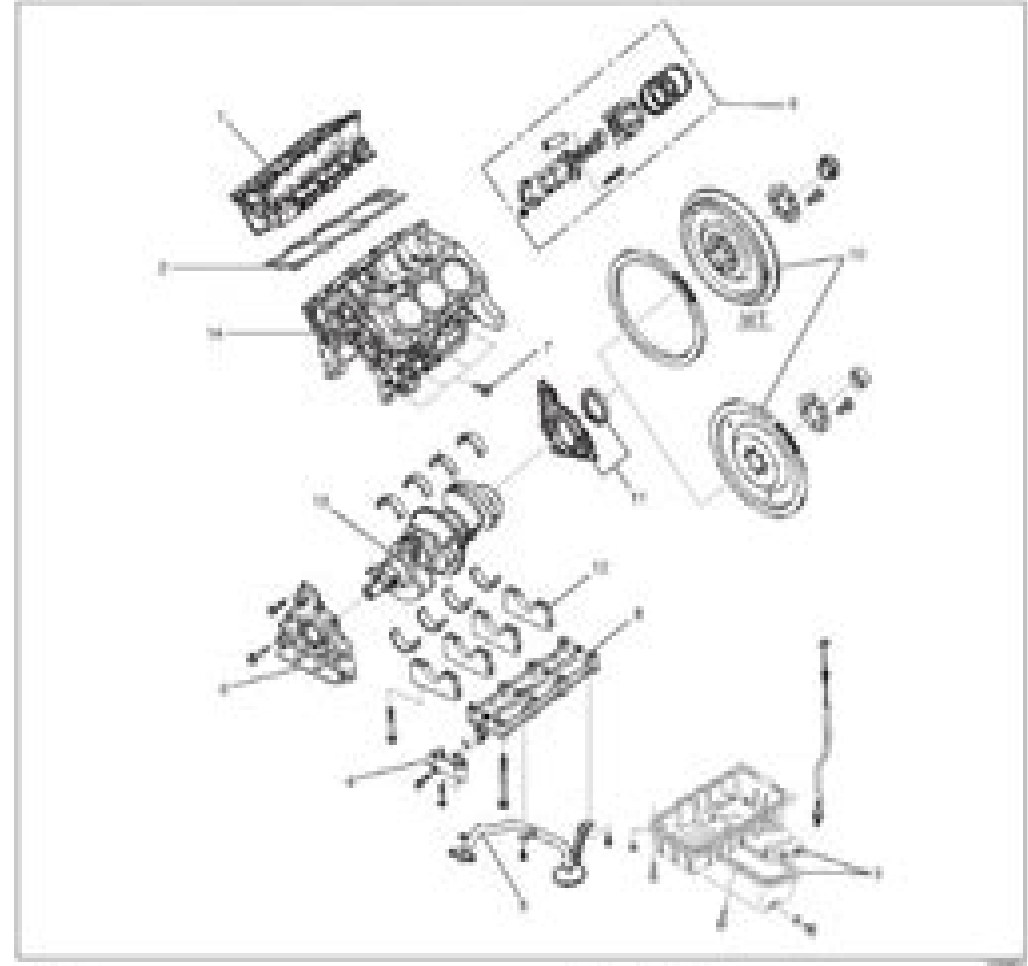


Cylinder Block

Cylinder Block and Associated Parts



Legend

- | | |
|----------------------------|--|
| (1) Cylinder Head Assembly | (8) Oil Gallery |
| (2) Cylinder Head Gasket | (9) Piston and Connecting Rod Assembly |
| (3) Crankcase with Oil Pan | (10) Flywheel |
| (4) Oil Pipe and O-Ring | (11) Rear Oil Seal Retainer Assembly |
| | (12) Main Bearing Cap |

Bookmarks

- INDEX
- > Sec.0A ENGINE MECHANICAL
- > Sec.0B ENGINE COOLING
- > Sec.0C ENGINE FUEL
- > Sec.0D ENGINE ELECTRICAL
- > Sec.0E IGNITION SYSTEM
- > Sec.0F STARTING AND CHARGING SYSTEM
- > Sec.0G DRIVEABILITY AND EMISSIONS
- > Sec.0H ENGINE EXHAUST
- > Sec.0I ENGINE LUBRICATION
- > Sec.0J ENGINE SPEED CONTROL SYSTEM
- > Sec.0K PROTECTION

Isuzu 6vd1 Repair Manual

Isuzu Jidōsha Kabushiki Kaisha



Isuzu 6vd1 Repair Manual:

Workshop Manual UBS Isuzu Jidōsha Kabushiki Kaisha,1993 **Isuzu Rodeo & Amigo, Honda Passport Automotive Repair Manual** Robert Maddox,John Harold Haynes,1997 *Isuzu Trooper & Pick-up Automotive Repair Manual* Larry Warren,Motorbooks International,John Harold Haynes,Robert Phillip Maddox,1990-07-01 Isuzu Trooper & Pick-up Larry Warren,Robert Phillip Maddox,John Harold Haynes,1990 Isuzu Workshop Manual G161Z Model Gasoline Engine Isuzu Jidōsha Kabushiki Kaisha,Isuzu Motors,1975 Isuzu Workshop Manual ,1986* **Isuzu Trooper** American Isuzu Motors Inc,1986 *Isuzu Pickups & Trooper* John Haynes,1990-07-19 2WD 4WD **Isuzu Workshop Manual P'up (KB).** American Isuzu Motors Inc,1981 *Engine Electricals - All Models Workshop Manual* Isuzu Motors Limited,1980

Chilton's Isuzu Amigo/Pick-ups/Rodeo/Trooper 1981-96 Repair Manual ,1996 Isuzu Automobile American Isuzu Motors Inc,1988 *Isuzu Workshop Manual Supplement, P'up (KB).* ,1982 **Chilton's Isuzu Amigo/pick-ups/Rodeo/Trooper** Chilton Book Company,Nichols/Chilton,Chilton Automotive Books,1999 Covers all models of Amigo Hombre Pick Ups Rodeo and Trooper 2 and 4 wheel drive gasoline and diesel engines Isuzu Truck Repair Manual. ,1980 **Haynes Isuzu Rodeo, Amigo & Honda Passport, 1989 thru 2002** Robert Maddox,2003-06-01 Each Haynes Manual is based on a complete teardown and rebuild of the specific vehicle Features hundreds of hands on photographs taken of specific repair procedures in progress Includes a full chapter on scheduled owner maintenance and devotes a full chapter to emissions systems Wiring diagrams are featured throughout **Isuzu Workshop Manual** Isuzu Jidōsha Kabushiki Kaisha,1988 *Workshop Manual for the Isuzu Diesel Engine* Isuzu Jidōsha Kabushiki Kaisha,Isuzu Motors,1971 *Light Duty Vehicle Workshop Manual* Isuzu Jidōsha Kabushiki Kaisha. Service Department. Overseas Sales Division,1985 Isuzu Workshop Manual G161Z Gasoline Engine (workshop Manual). Isuzu Motors Limited,1975*

Decoding **Isuzu 6vd1 Repair Manual**: Revealing the Captivating Potential of Verbal Expression

In a period characterized by interconnectedness and an insatiable thirst for knowledge, the captivating potential of verbal expression has emerged as a formidable force. Its capability to evoke sentiments, stimulate introspection, and incite profound transformations is genuinely awe-inspiring. Within the pages of "**Isuzu 6vd1 Repair Manual**," a mesmerizing literary creation penned by way of a celebrated wordsmith, readers attempt an enlightening odyssey, unraveling the intricate significance of language and its enduring effect on our lives. In this appraisal, we shall explore the book's central themes, evaluate its distinctive writing style, and gauge its pervasive influence on the hearts and minds of its readership.

http://www.armchairempire.com/data/virtual-library/HomePages/Marlin_1892_Manual.pdf

Table of Contents Isuzu 6vd1 Repair Manual

1. Understanding the eBook Isuzu 6vd1 Repair Manual
 - The Rise of Digital Reading Isuzu 6vd1 Repair Manual
 - Advantages of eBooks Over Traditional Books
2. Identifying Isuzu 6vd1 Repair Manual
 - Exploring Different Genres
 - Considering Fiction vs. Non-Fiction
 - Determining Your Reading Goals
3. Choosing the Right eBook Platform
 - Popular eBook Platforms
 - Features to Look for in an Isuzu 6vd1 Repair Manual
 - User-Friendly Interface
4. Exploring eBook Recommendations from Isuzu 6vd1 Repair Manual
 - Personalized Recommendations
 - Isuzu 6vd1 Repair Manual User Reviews and Ratings
 - Isuzu 6vd1 Repair Manual and Bestseller Lists

5. Accessing Isuzu 6vd1 Repair Manual Free and Paid eBooks
 - Isuzu 6vd1 Repair Manual Public Domain eBooks
 - Isuzu 6vd1 Repair Manual eBook Subscription Services
 - Isuzu 6vd1 Repair Manual Budget-Friendly Options
6. Navigating Isuzu 6vd1 Repair Manual eBook Formats
 - ePub, PDF, MOBI, and More
 - Isuzu 6vd1 Repair Manual Compatibility with Devices
 - Isuzu 6vd1 Repair Manual Enhanced eBook Features
7. Enhancing Your Reading Experience
 - Adjustable Fonts and Text Sizes of Isuzu 6vd1 Repair Manual
 - Highlighting and Note-Taking Isuzu 6vd1 Repair Manual
 - Interactive Elements Isuzu 6vd1 Repair Manual
8. Staying Engaged with Isuzu 6vd1 Repair Manual
 - Joining Online Reading Communities
 - Participating in Virtual Book Clubs
 - Following Authors and Publishers Isuzu 6vd1 Repair Manual
9. Balancing eBooks and Physical Books Isuzu 6vd1 Repair Manual
 - Benefits of a Digital Library
 - Creating a Diverse Reading Collection Isuzu 6vd1 Repair Manual
10. Overcoming Reading Challenges
 - Dealing with Digital Eye Strain
 - Minimizing Distractions
 - Managing Screen Time
11. Cultivating a Reading Routine Isuzu 6vd1 Repair Manual
 - Setting Reading Goals Isuzu 6vd1 Repair Manual
 - Carving Out Dedicated Reading Time
12. Sourcing Reliable Information of Isuzu 6vd1 Repair Manual
 - Fact-Checking eBook Content of Isuzu 6vd1 Repair Manual
 - Distinguishing Credible Sources
13. Promoting Lifelong Learning

- Utilizing eBooks for Skill Development
 - Exploring Educational eBooks
14. Embracing eBook Trends
- Integration of Multimedia Elements
 - Interactive and Gamified eBooks

Isuzu 6vd1 Repair Manual Introduction

In today's digital age, the availability of Isuzu 6vd1 Repair Manual books and manuals for download has revolutionized the way we access information. Gone are the days of physically flipping through pages and carrying heavy textbooks or manuals. With just a few clicks, we can now access a wealth of knowledge from the comfort of our own homes or on the go. This article will explore the advantages of Isuzu 6vd1 Repair Manual books and manuals for download, along with some popular platforms that offer these resources. One of the significant advantages of Isuzu 6vd1 Repair Manual books and manuals for download is the cost-saving aspect. Traditional books and manuals can be costly, especially if you need to purchase several of them for educational or professional purposes. By accessing Isuzu 6vd1 Repair Manual versions, you eliminate the need to spend money on physical copies. This not only saves you money but also reduces the environmental impact associated with book production and transportation. Furthermore, Isuzu 6vd1 Repair Manual books and manuals for download are incredibly convenient. With just a computer or smartphone and an internet connection, you can access a vast library of resources on any subject imaginable. Whether you're a student looking for textbooks, a professional seeking industry-specific manuals, or someone interested in self-improvement, these digital resources provide an efficient and accessible means of acquiring knowledge. Moreover, PDF books and manuals offer a range of benefits compared to other digital formats. PDF files are designed to retain their formatting regardless of the device used to open them. This ensures that the content appears exactly as intended by the author, with no loss of formatting or missing graphics. Additionally, PDF files can be easily annotated, bookmarked, and searched for specific terms, making them highly practical for studying or referencing. When it comes to accessing Isuzu 6vd1 Repair Manual books and manuals, several platforms offer an extensive collection of resources. One such platform is Project Gutenberg, a nonprofit organization that provides over 60,000 free eBooks. These books are primarily in the public domain, meaning they can be freely distributed and downloaded. Project Gutenberg offers a wide range of classic literature, making it an excellent resource for literature enthusiasts. Another popular platform for Isuzu 6vd1 Repair Manual books and manuals is Open Library. Open Library is an initiative of the Internet Archive, a non-profit organization dedicated to digitizing cultural artifacts and making them accessible to the public. Open Library hosts millions of books, including both public domain works and contemporary titles. It also allows users to borrow digital copies of certain

books for a limited period, similar to a library lending system. Additionally, many universities and educational institutions have their own digital libraries that provide free access to PDF books and manuals. These libraries often offer academic texts, research papers, and technical manuals, making them invaluable resources for students and researchers. Some notable examples include MIT OpenCourseWare, which offers free access to course materials from the Massachusetts Institute of Technology, and the Digital Public Library of America, which provides a vast collection of digitized books and historical documents. In conclusion, Isuzu 6vd1 Repair Manual books and manuals for download have transformed the way we access information. They provide a cost-effective and convenient means of acquiring knowledge, offering the ability to access a vast library of resources at our fingertips. With platforms like Project Gutenberg, Open Library, and various digital libraries offered by educational institutions, we have access to an ever-expanding collection of books and manuals. Whether for educational, professional, or personal purposes, these digital resources serve as valuable tools for continuous learning and self-improvement. So why not take advantage of the vast world of Isuzu 6vd1 Repair Manual books and manuals for download and embark on your journey of knowledge?

FAQs About Isuzu 6vd1 Repair Manual Books

How do I know which eBook platform is the best for me? Finding the best eBook platform depends on your reading preferences and device compatibility. Research different platforms, read user reviews, and explore their features before making a choice. Are free eBooks of good quality? Yes, many reputable platforms offer high-quality free eBooks, including classics and public domain works. However, make sure to verify the source to ensure the eBook credibility. Can I read eBooks without an eReader? Absolutely! Most eBook platforms offer webbased readers or mobile apps that allow you to read eBooks on your computer, tablet, or smartphone. How do I avoid digital eye strain while reading eBooks? To prevent digital eye strain, take regular breaks, adjust the font size and background color, and ensure proper lighting while reading eBooks. What the advantage of interactive eBooks? Interactive eBooks incorporate multimedia elements, quizzes, and activities, enhancing the reader engagement and providing a more immersive learning experience. Isuzu 6vd1 Repair Manual is one of the best book in our library for free trial. We provide copy of Isuzu 6vd1 Repair Manual in digital format, so the resources that you find are reliable. There are also many Ebooks of related with Isuzu 6vd1 Repair Manual. Where to download Isuzu 6vd1 Repair Manual online for free? Are you looking for Isuzu 6vd1 Repair Manual PDF? This is definitely going to save you time and cash in something you should think about. If you trying to find then search around for online. Without a doubt there are numerous these available and many of them have the freedom. However without doubt you receive whatever you purchase. An alternate way to get ideas is always to check another Isuzu 6vd1 Repair Manual. This method for see exactly

what may be included and adopt these ideas to your book. This site will almost certainly help you save time and effort, money and stress. If you are looking for free books then you really should consider finding to assist you try this. Several of Isuzu 6vd1 Repair Manual are for sale to free while some are payable. If you arent sure if the books you would like to download works with for usage along with your computer, it is possible to download free trials. The free guides make it easy for someone to free access online library for download books to your device. You can get free download on free trial for lots of books categories. Our library is the biggest of these that have literally hundreds of thousands of different products categories represented. You will also see that there are specific sites catered to different product types or categories, brands or niches related with Isuzu 6vd1 Repair Manual. So depending on what exactly you are searching, you will be able to choose e books to suit your own need. Need to access completely for Campbell Biology Seventh Edition book? Access Ebook without any digging. And by having access to our ebook online or by storing it on your computer, you have convenient answers with Isuzu 6vd1 Repair Manual To get started finding Isuzu 6vd1 Repair Manual, you are right to find our website which has a comprehensive collection of books online. Our library is the biggest of these that have literally hundreds of thousands of different products represented. You will also see that there are specific sites catered to different categories or niches related with Isuzu 6vd1 Repair Manual So depending on what exactly you are searching, you will be able tochoose ebook to suit your own need. Thank you for reading Isuzu 6vd1 Repair Manual. Maybe you have knowledge that, people have search numerous times for their favorite readings like this Isuzu 6vd1 Repair Manual, but end up in harmful downloads. Rather than reading a good book with a cup of coffee in the afternoon, instead they juggled with some harmful bugs inside their laptop. Isuzu 6vd1 Repair Manual is available in our book collection an online access to it is set as public so you can download it instantly. Our digital library spans in multiple locations, allowing you to get the most less latency time to download any of our books like this one. Merely said, Isuzu 6vd1 Repair Manual is universally compatible with any devices to read.

Find Isuzu 6vd1 Repair Manual :

[marlin 1892 manual](#)

[marriage with meaning a values based model for premarital counseling](#)

marketing grewal solution manual

maruthi engine manual

[marshall gas regulator manual](#)

martin firecat pro x manual

marruecos guia spiral guia spiral

[marketing management kotler 11th edition](#)

marsh patrion plus manual
martin acrobat user manual
marvel wine fridge manual

martial arts instruction applying educational theory and communication techniques in the dojo
mary ellen guffey business communication answer key

marketing to moviegoers a handbook of strategies and tactics third edition
marketing it products and services marketing it products and services

Isuzu 6vd1 Repair Manual :

l Étalon noir wikipédia - Dec 28 2022

web découvrez l Étalon noir tome 15 un rival pour l étalon noir de walter farley sur booknode la communauté du livre

un rival pour l e talon noir farley walter 1915 1989 free - Sep 05 2023

web l etalon noir un rival pour l etalon noir on amazon com au free shipping on eligible orders l etalon noir un rival pour l etalon noir

[l etalon noir 14 un rival pour l etalon noir l Étalon noir](#) - Jan 29 2023

web découvrez l Étalon noir tome 15 un rival pour l étalon noir de walter farley sur booknode la communauté du livre

l Étalon noir 14 un rival pour l etalon noir hachette fr - Nov 14 2021

livres l étalon noir fnac - Jun 02 2023

web noté 5 retrouvez l Étalon noir 14 un rival pour l etalon noir et des millions de livres en stock sur amazon fr achetez neuf ou d occasion

l Étalon noir 14 un rival pour l etalon noir amazon fr - Feb 27 2023

web l étalon noir un rival pour l Étalon noir walter farley bb rose verte des milliers de livres avec la livraison chez vous en 1 jour ou en magasin avec 5 de réduction

un rival pour l etalon noir walter farley achat livre fnac - Jul 23 2022

web l etalon noir 14 un rival pour l etalon noir par steven farley walter farley aux éditions hachette jeunesse alec reçoit une lettre d un certain steve qui prétend que son

l étalon noir tome 14 un rival pour l étalon noir cultura - Aug 24 2022

web l étalon noir un rival pour l étalon noir par steven farley walter farley aux éditions hachette jeunesse la saison hippique est terminée pour alec le temps est venu d un

l Étalon noir tome 15 un rival pour l étalon noir - Oct 26 2022

web un rival pour l etalon noir walter farley erreur perimes hachette jeunesse des milliers de livres avec la livraison chez vous en 1 jour ou en magasin avec 5 de

l étalon noir walter farley bnfa bibliothèque numérique - Feb 15 2022

web may 14 2014 alec reçoit une lettre d un certain steve qui prétend que son cheval flamme est plus rapide que black malgré son manque d expérience le garçon est

l Étalon noir les 19 livres de la série booknode - Aug 04 2023

web l étalon noir tome 14 l Étalon noir 14 un rival pour l etalon noir roman junior dès 9 ans poche tome 14 l étalon noir walter farley 5 avec retrait magasin

l étalon noir un rival pour l Étalon noir fnac - Nov 26 2022

web description descriptif du fournisseur alec reçoit une lettre d un certain steve qui prétend que son cheval flamme est plus rapide que black malgré son manque d expérience

l etalon noir 14 un rival pour l etalon noir cultura - Apr 19 2022

web apr 3 2002 la planète des singes le nouveau royaume napoléon le retour de l étalon noir est un film réalisé par robert dalva avec kelly reno vincent spano

l étalon noir un rival pour l étalon noir steven farley walter - May 21 2022

web le jeune alec n en croit pas ses yeux il a devant lui un animal gigantesque d une puissance extraordinaire noir comme l ébène fasciné par cet étalon sauvage

l Étalon noir tome 15 un rival pour l étalon noir - Sep 24 2022

web sep 1 2021 l étalon noir tome 14 l Étalon noir 14 un rival pour l etalon noir tout savoir sur l étalon noir walter farley auteur alec reçoit une lettre d un certain steve

l étalon noir tome 15 un rival pour l étalon noir babelio - Oct 06 2023

web 1 vol 243 p 18 cm alec rec oit une lettre d un certain steve qui pre tend que son cheval flamme est plus rapide que black malgré son manque d expe rience le garc on est

un rival pour l etalon noir 9782012003255 amazon com au - Jul 03 2023

web january 15 2023 history edit an edition of the black stallion challenged 1964 un rival pour l étalon noir by walter farley 0 ratings 5 want to read 0 currently reading 2 have

un rival pour l étalon noir by walter farley open library - Mar 31 2023

web un rival pour l étalon noir 1964 1973 s 14 alec fait courir black en floride tout l hiver lorsqu il reçoit une lettre de steve duncan persuadé que son cheval flamme peut

le retour de l étalon noir film 1983 allociné - Jan 17 2022

l etalon noir un rival pour l etalon noir walter farley - May 01 2023

web l etalon noir 14 un rival pour l etalon noir l Étalon noir format kindle de walter farley auteur format format kindle 4 8 4 8 sur 5 étoiles 32 évaluations

l étalon noir livres bd ebooks films et séries fnac - Jun 21 2022

web with l etalon noir 14 un rival pour l etalon noir near you search by city zip code or library name search learn more about precise location detection showing public

l etalon noir vol 1 dvd et blu ray amazon fr - Dec 16 2021

l etalon noir 14 un rival pour l etalon noir by walter farley is - Mar 19 2022

web virginie demians marianne filali mickey rooney richard ian cox michele goodger jean paul solal langue français durée d exécution 4 heures et 30 minutes livraison

new market leader upper intermediate course book - Jul 14 2023

web new market leader upper intermediate course book pdf new market leader upper intermediate course book carlos leon academia edu academia edu no longer supports internet explorer

market leader upper intermediate practice file with audio cd - Apr 30 2022

web jan 20 2015 marker leader upper intermediate new edition video can be used alongside the market leader course or as freestanding material for students of upper intermediate level market leader upper intermediate new edition video is divided into five programs each discussing a key business issue international marketing business

new market leader upper intermediate course book fliphtml5 - Aug 15 2023

web new market leader upper intermediate course book click to view in fullscreen

market leader new edition upper intermediate teacher s book - Jan 08 2023

web market leader new edition upper intermediate teacher s book free ebook download as pdf file pdf or read book online for free market leader new edition upper intermediate teacher s book

market leader intermediate new edition course book pdf - Aug 03 2022

web market leader intermediate new edition course book pdf google drive

new language leader upper intermediate coursebook - Jul 02 2022

web new language leader takes an intelligent approach to building the confidence and skills students need to succeed in academic study and use english in a globalised world the upper intermediate level cefr b2 gse 55 72 in every book you will

find 12 units divided into relevant sections such as grammar vocabulary reading and writing

market leader upper intermediate 3rd edition hepsiburada com - Mar 10 2023

web bu ürün şu an satılmamaktadır market leader upper intermediate 3rd edition coursebook workbook dvd room market leader 3rd edition is a five level english course for students who want to learn english and learn about business and for business people who want to advance their careers

market leader coursebooks and audio hoàng thanh tùng s blog - Jun 01 2022

web feb 20 2009 new edition market leader elementary 2 market leader pre intermedaite student book new market leader pre intermediate 3 market leader intermediate book 4 market leader intermediate new edition reference manual 5 market leader upper intermediate new edition market leader upper

market leader upper intermediate audio timestamps in the - Oct 05 2022

web for educational purposes only cd1 1 1 00 00 1 2 01 25 1 3 04 01 1 4 05 43 1 5 06 53 1 6 09 09 1 7 12 31 1 8 14 07 1 9 15 16 1 10 18 34 1 11 19

market leader upper intermediate business english practice file - Nov 06 2022

web longman 2006 english language 112 pages new edition market leader reflects the fast changing world of business with updated material from authentic sources the practice file includes vocabulary exercises language review and writing tasks

new market leader pre intermediate course book audio cd 1 - Dec 27 2021

web jun 6 2009 longman cd1 for course book here are only the audio files for the course book the first disc the book itself is separate the market leader series went through two editions it is customary to distinguish between market leader first edition and market leader new edition

new market leader intermediate course book cd 1 sciarium - Feb 26 2022

web feb 24 2012 cotton d falvey d kent s multi rom pack mixed media product for market leader intermediate coursebook publisher longman new edition market leader with multi rom is the business english course that brings contemporary business issues right into your classroom

market leader adult corporate english language learning - Feb 09 2023

web market leader developed with the financial times market leader gives learners confidence to communicate in the corporate world learners build english language skills through content covering negotiation people management advertising and more

new market leader intermediate test file sciarium - Mar 30 2022

web may 11 2011 market leader is a intermediate level business english course for businesspeople and students of business english it consists of 12 units based on topics of great interest to everyone involved in international business it has entry test

2 placement tests progress tests end of course test there are also audio scripts

market leader new edition pre intermediate coursebook with - Jan 28 2022

web market leader new edition pre intermediate coursebook with self study cd rom and audio cd tweet market leader new edition retains the dynamic and effective approach to business english that has made the course so successful in classes worldwide isbn 9781405881371 szerző

market leader coursebooks and audio full studylib net - Apr 11 2023

web new market leader pre intermediate third year a8 a11 3 market leader intermediate book 4 market leader intermediate new edition reference manual 5 market leader upper intermediate new edition market leader upper intermediate 6 market leader elementary teacher s resource book 7

upper intermediate market leader pearson - Jun 13 2023

web 1 introduction introduction the market leader series is a fantastic resource for students aiming to take the bec exams as it covers and practises the kind of language required in an international business environment when working through the market leader upper intermediate

new market leader upper intermediate course book audio cd - May 12 2023

web jul 19 2009 new market leader upper intermediate audio cd1 course book longman david cotton david falvey new edition 2006 mp3 52 8mb unit 1 communication unit 2 international marketing unit 3 building relationships unit 4 success unit 5 job satisfaction unit 6 risk unit 7 e commerce unit 8

upper intermediate market leader pearson - Dec 07 2022

web market leader upper intermediate alignment with the global scale of english and the common european framework of reference ml gse booklet uint indd 1 01 04 2016 11 27 market leader 3rd edition extra o ers new business skills lessons which are fully aligned to the global scale of english gse and the common european

market leader upper intermediate business coursebook pdf - Sep 04 2022

web market leader 3rd edition has been completely updated to reflect the fast changing world of business the 3rd edition coursebooks include new reading texts from the financial times and new case studies with opinions on dvd from successful consultants content communication international marketing building relationships success job satisfaction

turmschreiber tageskalender 2020 witz und weisheit aus - Feb 09 2023

web turmschreiber tageskalender 2020 witz und weisheit aus april 8th 2020 turmschreiber tageskalender 2020 witz und weisheit aus bayern deutsch kalender tageskalender 1 juli 2019 4 5 von 5 stern 15 sternbewertungen alle formate und ausgaben anzeigen andere formate und ausgaben ausblenden preis neu ab gebraucht ab

turmschreiber tageskalender 2020 witz und weisheit pdf - Jan 08 2023

web 2 turmschreiber tageskalender 2020 witz und weisheit 2021 07 04 dieses werk ist teil der buchreihe tredition classics der verlag tredition aus hamburg veröffentlicht in der buchreihe tredition classics werke

turmschreiber tageskalender 2020 witz und weisheit aus - Jan 28 2022

web may 20th 2020 turmschreiber tageskalender 2020 witz und weisheit aus bayern 740 pages 07 01 2019 publication date turmschreiber verlag ingwert paulsen jr publisher 14 00 eur

turmschreiber tageskalender 2020 witz und weisheit copy - Dec 27 2021

web mar 18 2023 turmschreiber tageskalender 2020 witz und weisheit 2 9 downloaded from uniport edu ng on march 18 2023 by guest the stallion harold robbins 2012 12 25 loren hardeman known as number one is gradually transferring control of bethlehem motors to his grandson loren hardeman iii a man possessed with his father s cunning

turmschreiber tageskalender 2020 witz und weisheit pdf - Nov 06 2022

web turmschreiber tageskalender 2020 witz und weisheit is welcoming in our digital library an online access to it is set as public as a result you can download it instantly our digital library saves in multipart countries allowing you to acquire the most less latency time to download any of our books with this one merely said the turmschreiber

turmschreiber tageskalender 2020 witz und weisheit simone - Mar 10 2023

web as this turmschreiber tageskalender 2020 witz und weisheit it ends up swine one of the favored books turmschreiber tageskalender 2020 witz und weisheit collections that we have this is why you remain in the best website to see the amazing book to have goethes unterhaltungen mit dem kanzler friedrich von müller johann wolfgang von

turmschreiber tageskalender 2020 witz und weisheit - Apr 30 2022

web turmschreiber tageskalender 2020 witz und weisheit 1 9 downloaded from uniport edu ng on june 18 2023 by guest turmschreiber tageskalender 2020 witz und weisheit as recognized adventure as competently as experience approximately lesson amusement as without

turmschreiber tageskalender 2020 witz und weisheit aus - May 12 2023

web turmschreiber tageskalender 2020 witz und weisheit aus april 8th 2020 turmschreiber tageskalender 2020 witz und weisheit aus bayern deutsch kalender tageskalender 1 juli 2019 4 5 von 5 sternen 15 sternebewertungen alle formate und ausgaben anzeigen andere formate und ausgaben ausblenden preis neu ab gebraucht ab

turmschreiber tageskalender 2020 witz und weisheit - Jul 02 2022

web mar 31 2023 turmschreiber tageskalender 2020 witz und weisheit right here we have countless books turmschreiber tageskalender 2020 witz und weisheit and collections to check out we additionally provide variant types and furthermore type of the books to browse the agreeable book fiction history novel scientific research as

turmschreiber tageskalender 2022 kalender orell füssli - Oct 05 2022

web sep 1 2021 heimlieferung oder in filiale turmschreiber tageskalender 2022 witz und weisheit aus bayern orell füssli der buchhändler ihres vertrauens der bewährte weiss blaue begleiter durch jeden tag des jahres kommt auch 2022 voll bay erischem witz und weisheit daher abwechslungsreich finden sich täglich mal heitere mal

[turmschreiber tageskalender 2020 witz und weisheit aus bayern](#) - Aug 15 2023

web turmschreiber tageskalender 2020 witz und weisheit aus bayern kalender tageskalender 1 juli 2019 21

sternebewertungen alle formate und editionen anzeigen kalender 14 00 2 neu ab 14 00

turmschreiber tageskalender 2020 witz und weisheit simone - Mar 30 2022

web the turmschreiber tageskalender 2020 witz und weisheit it is very easy then since currently we extend the associate to purchase and create bargains to download and install turmschreiber tageskalender 2020 witz und weisheit as a result simple i m dancing as fast as i can barbara gordon 1989 an emmy winning tv producer recounts her

turmschreiber tageskalender 2020 witz und weisheit pdf - Jun 13 2023

web turmschreiber tageskalender 2020 witz und weisheit twenty two days or half a lifetime dec 11 2019 pfadfinden witz lustiges geschenk für pfadfinder kalender 2021 jul 30 2021 2021 terminkalender für pfadfinder lustiges weihnachtsgeschenk für pfadfinder ebenfalls geeignet als geburtstagsgeschenk a5 format terminplaner

turmschreiber tageskalender 2020 witz und weisheit pdf pdf - Dec 07 2022

web jun 19 2023 web turmschreiber tageskalender 2020 witz und weisheit kalender 2020 nov 16 2022 game development kalender 2020 a5 mit datum auf 160 seiten datierter kalender 2020 52 kalenderwochen fr 2020 montags bis sonntags

free turmschreiber tageskalender 2020 witz und weisheit - Feb 26 2022

web turmschreiber tageskalender 2020 witz und weisheit pdf turmschreiber tageskalender 2020 witz und weisheit 2 downloaded from analytics test makestories io on by guest started over with a new husband she even has another precious daughter melinda she thinks she has put the ghosts of her past behind her but without warning

turmschreibertageskalender2020witzundweisheit - Jun 01 2022

web turmschreiber tageskalender 2020 witz und weisheit pdf 1 turmschreiber tageskalender 2020 witz und weisheit twenty two days or half a lifetime dec 11 2019 pfadfinden witz lustiges geschenk für pfadfinder kalender 2021 jul 30 2021 turmschreibertageskalender2020witzundweisheit pdf

turmschreiber tageskalender 2020 witz und weisheit aus - Jul 14 2023

web abreißkalender witz und turmschreiber tageskalender 2019 witz und weisheit aus turmschreiber tageskalender 2020 verlagsgruppe husum die weisheit des buddha kalender 2018 buch zustand turmschreiber tageskalender 2020 kalender portofrei die 33 besten bilder zu kalender 2019 kalender planer turmschreiber tageskalender 2020

turmschreiber tageskalender 2020 witz und weisheit pdf - Aug 03 2022

web mar 12 2023 turmschreiber tageskalender 2020 witz und weishei 1 8 downloaded from uniport edu ng on march 12 2023 by guest turmschreiber tageskalender 2020 witz und guide turmschreiber tageskalender 2020 witz und weishei as you such as by searching the title publisher or authors of guide you in point of fact want you can

turmschreiber tageskalender 2020 witz und weisheit aus - Apr 11 2023

web turmschreiber tageskalender 2020 witz und weisheit aus bayern finden sie alle bücher von bei der büchersuchmaschine eurobuch com können sie antiquarische und neubücher vergleichen und sofort zum bestpreis bestellen 9783938575536 turmschreiber verlag ingwert paulsen jr kalender 740 seiten publiziert

turmschreiber tageskalender 2020 witz und weishei gaby - Sep 04 2022

web tageskalender 2020 witz und weishei and collections to check out we additionally meet the expense of variant types and moreover type of the books to browse the standard book fiction history novel scientific research as skillfully as various further sorts of books are readily simple here as this turmschreiber tageskalender 2020 witz