

## APPEARANCE

### 1. MODELS 3LA1 AND 3LB1

#### (1) Left side view

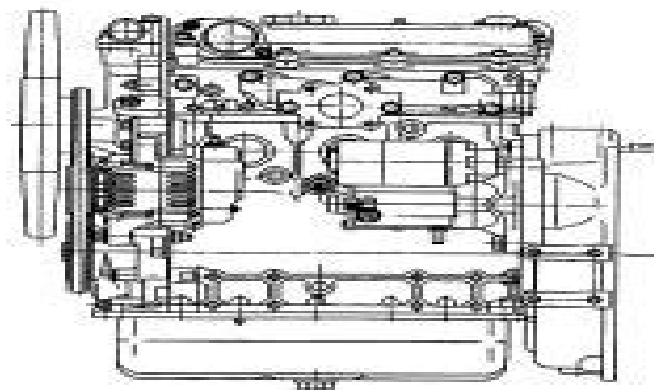


Fig. 2

#### (2) Right side view

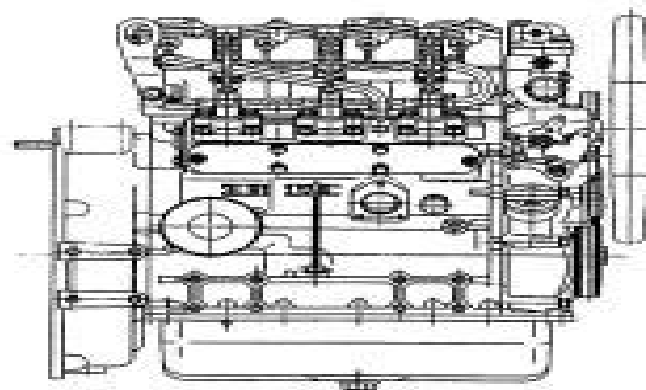


Fig. 3

# Isuzu Diesel 3ld1 Service Manual

**Isuzu Motors Limited**



## **Isuzu Diesel 3ld1 Service Manual:**

**Logistics Management & Distribution Report** ,1998      **Workshop Manual for the Isuzu Diesel Engine** Isuzu Motors,1971 For 6 cylinder trucks produced in 1973      **Workshop Manual for the Isuzu Diesel Engine** Isuzu Jidōsha Kabushiki Kaisha,Isuzu Motors,1971      *Jane's International Defense Review* ,2003      **Isuzu Workshop Manual** ,1986\*  
**Isuzu Workshop Manual** ,1982 Part no C223 WE 141 This manual applies to the 1982 year and later models      *Isuzu Workshop Manual* Isuzu Motors Limited,1984      **Isuzu Workshop Manual** ,1981      Isuzu Workshop Manual Diesel Engine 4FB1, 4FC1 Models Isuzu Motors Limited,1982      *Diesel Engine C223 Turbo Model* Isuzu Jidōsha Kabushiki Kaisha. Overseas Service Department,1984      **Isuzu Workshop Manual** Isuzu Jidōsha Kabushiki Kaisha,1981      *Isuzu Workshop Manual* Isuzu Jidōsha Kabushiki Kaisha,1981      **Isuzu Workshop Manual** Isuzu Jidōsha Kabushiki Kaisha. Service Department. Overseas Sales Division,1982      **Isuzu Workshop Manual G161Z Model Gasoline Engine** Isuzu Jidōsha Kabushiki Kaisha,Isuzu Motors,1975      DH Model Series Diesel Engine Isuzu Jidōsha Kabushiki Kaisha,197?      Workshop Manual for Isuzu C221 Diesel Engine Isuzu Motors Limited,1972\*      **Crown's Diesel Repair Manual** Morton J. Schultz,1984 Practical manual on diesel engines covers general troubleshooting repair maintenance      **Engine Electricals - All Models Workshop Manual** Isuzu Motors Limited,1980      **Isuzu Workshop Manual Diesel Engine 4FB1 Model** Isuzu Jidōsha Kabushiki Kaisha,1980      **1985 P'up {KB} Workshop Manual** American Isuzu Motors Inc,1985 Covers gas and diesel engines

Immerse yourself in heartwarming tales of love and emotion with its touching creation, Experience Love's Journey in **Isuzu Diesel 3ld1 Service Manual** . This emotionally charged ebook, available for download in a PDF format ( \*), is a celebration of love in all its forms. Download now and let the warmth of these stories envelop your heart.

<http://www.armchairempire.com/About/uploaded-files/Documents/lunivers%20gu%20risseurs%20traditionnels%20camus%20d%20mauxion.pdf>

## **Table of Contents Isuzu Diesel 3ld1 Service Manual**

1. Understanding the eBook Isuzu Diesel 3ld1 Service Manual
  - The Rise of Digital Reading Isuzu Diesel 3ld1 Service Manual
  - Advantages of eBooks Over Traditional Books
2. Identifying Isuzu Diesel 3ld1 Service Manual
  - Exploring Different Genres
  - Considering Fiction vs. Non-Fiction
  - Determining Your Reading Goals
3. Choosing the Right eBook Platform
  - Popular eBook Platforms
  - Features to Look for in an Isuzu Diesel 3ld1 Service Manual
  - User-Friendly Interface
4. Exploring eBook Recommendations from Isuzu Diesel 3ld1 Service Manual
  - Personalized Recommendations
  - Isuzu Diesel 3ld1 Service Manual User Reviews and Ratings
  - Isuzu Diesel 3ld1 Service Manual and Bestseller Lists
5. Accessing Isuzu Diesel 3ld1 Service Manual Free and Paid eBooks
  - Isuzu Diesel 3ld1 Service Manual Public Domain eBooks
  - Isuzu Diesel 3ld1 Service Manual eBook Subscription Services
  - Isuzu Diesel 3ld1 Service Manual Budget-Friendly Options

6. Navigating Isuzu Diesel 3ld1 Service Manual eBook Formats
  - ePub, PDF, MOBI, and More
  - Isuzu Diesel 3ld1 Service Manual Compatibility with Devices
  - Isuzu Diesel 3ld1 Service Manual Enhanced eBook Features
7. Enhancing Your Reading Experience
  - Adjustable Fonts and Text Sizes of Isuzu Diesel 3ld1 Service Manual
  - Highlighting and Note-Taking Isuzu Diesel 3ld1 Service Manual
  - Interactive Elements Isuzu Diesel 3ld1 Service Manual
8. Staying Engaged with Isuzu Diesel 3ld1 Service Manual
  - Joining Online Reading Communities
  - Participating in Virtual Book Clubs
  - Following Authors and Publishers Isuzu Diesel 3ld1 Service Manual
9. Balancing eBooks and Physical Books Isuzu Diesel 3ld1 Service Manual
  - Benefits of a Digital Library
  - Creating a Diverse Reading Collection Isuzu Diesel 3ld1 Service Manual
10. Overcoming Reading Challenges
  - Dealing with Digital Eye Strain
  - Minimizing Distractions
  - Managing Screen Time
11. Cultivating a Reading Routine Isuzu Diesel 3ld1 Service Manual
  - Setting Reading Goals Isuzu Diesel 3ld1 Service Manual
  - Carving Out Dedicated Reading Time
12. Sourcing Reliable Information of Isuzu Diesel 3ld1 Service Manual
  - Fact-Checking eBook Content of Isuzu Diesel 3ld1 Service Manual
  - Distinguishing Credible Sources
13. Promoting Lifelong Learning
  - Utilizing eBooks for Skill Development
  - Exploring Educational eBooks
14. Embracing eBook Trends
  - Integration of Multimedia Elements

- Interactive and Gamified eBooks

### **Isuzu Diesel 3ld1 Service Manual Introduction**

In the digital age, access to information has become easier than ever before. The ability to download Isuzu Diesel 3ld1 Service Manual has revolutionized the way we consume written content. Whether you are a student looking for course material, an avid reader searching for your next favorite book, or a professional seeking research papers, the option to download Isuzu Diesel 3ld1 Service Manual has opened up a world of possibilities. Downloading Isuzu Diesel 3ld1 Service Manual provides numerous advantages over physical copies of books and documents. Firstly, it is incredibly convenient. Gone are the days of carrying around heavy textbooks or bulky folders filled with papers. With the click of a button, you can gain immediate access to valuable resources on any device. This convenience allows for efficient studying, researching, and reading on the go. Moreover, the cost-effective nature of downloading Isuzu Diesel 3ld1 Service Manual has democratized knowledge. Traditional books and academic journals can be expensive, making it difficult for individuals with limited financial resources to access information. By offering free PDF downloads, publishers and authors are enabling a wider audience to benefit from their work. This inclusivity promotes equal opportunities for learning and personal growth. There are numerous websites and platforms where individuals can download Isuzu Diesel 3ld1 Service Manual. These websites range from academic databases offering research papers and journals to online libraries with an expansive collection of books from various genres. Many authors and publishers also upload their work to specific websites, granting readers access to their content without any charge. These platforms not only provide access to existing literature but also serve as an excellent platform for undiscovered authors to share their work with the world. However, it is essential to be cautious while downloading Isuzu Diesel 3ld1 Service Manual. Some websites may offer pirated or illegally obtained copies of copyrighted material. Engaging in such activities not only violates copyright laws but also undermines the efforts of authors, publishers, and researchers. To ensure ethical downloading, it is advisable to utilize reputable websites that prioritize the legal distribution of content. When downloading Isuzu Diesel 3ld1 Service Manual, users should also consider the potential security risks associated with online platforms. Malicious actors may exploit vulnerabilities in unprotected websites to distribute malware or steal personal information. To protect themselves, individuals should ensure their devices have reliable antivirus software installed and validate the legitimacy of the websites they are downloading from. In conclusion, the ability to download Isuzu Diesel 3ld1 Service Manual has transformed the way we access information. With the convenience, cost-effectiveness, and accessibility it offers, free PDF downloads have become a popular choice for students, researchers, and book lovers worldwide. However, it is crucial to engage in ethical downloading practices and prioritize personal security when utilizing online platforms. By doing so, individuals can make the most of the vast array of free PDF resources available

and embark on a journey of continuous learning and intellectual growth.

### FAQs About Isuzu Diesel 3ld1 Service Manual Books

1. Where can I buy Isuzu Diesel 3ld1 Service Manual books? Bookstores: Physical bookstores like Barnes & Noble, Waterstones, and independent local stores. Online Retailers: Amazon, Book Depository, and various online bookstores offer a wide range of books in physical and digital formats.
2. What are the different book formats available? Hardcover: Sturdy and durable, usually more expensive. Paperback: Cheaper, lighter, and more portable than hardcovers. E-books: Digital books available for e-readers like Kindle or software like Apple Books, Kindle, and Google Play Books.
3. How do I choose a Isuzu Diesel 3ld1 Service Manual book to read? Genres: Consider the genre you enjoy (fiction, non-fiction, mystery, sci-fi, etc.). Recommendations: Ask friends, join book clubs, or explore online reviews and recommendations. Author: If you like a particular author, you might enjoy more of their work.
4. How do I take care of Isuzu Diesel 3ld1 Service Manual books? Storage: Keep them away from direct sunlight and in a dry environment. Handling: Avoid folding pages, use bookmarks, and handle them with clean hands. Cleaning: Gently dust the covers and pages occasionally.
5. Can I borrow books without buying them? Public Libraries: Local libraries offer a wide range of books for borrowing. Book Swaps: Community book exchanges or online platforms where people exchange books.
6. How can I track my reading progress or manage my book collection? Book Tracking Apps: Goodreads, LibraryThing, and Book Catalogue are popular apps for tracking your reading progress and managing book collections. Spreadsheets: You can create your own spreadsheet to track books read, ratings, and other details.
7. What are Isuzu Diesel 3ld1 Service Manual audiobooks, and where can I find them? Audiobooks: Audio recordings of books, perfect for listening while commuting or multitasking. Platforms: Audible, LibriVox, and Google Play Books offer a wide selection of audiobooks.
8. How do I support authors or the book industry? Buy Books: Purchase books from authors or independent bookstores. Reviews: Leave reviews on platforms like Goodreads or Amazon. Promotion: Share your favorite books on social media or recommend them to friends.
9. Are there book clubs or reading communities I can join? Local Clubs: Check for local book clubs in libraries or community centers. Online Communities: Platforms like Goodreads have virtual book clubs and discussion groups.

10. Can I read Isuzu Diesel 3ld1 Service Manual books for free? Public Domain Books: Many classic books are available for free as they're in the public domain. Free E-books: Some websites offer free e-books legally, like Project Gutenberg or Open Library.

**Find Isuzu Diesel 3ld1 Service Manual :**

**lunivers gu risseurs traditionnels camus d mauxion**

*lvn study guide*

m ndliche schriftliche befragung ein lehrbuch

lycoming maintenance manual o360 a1a

*m nchen tischkalender hauptstadt bayerns monatskalender*

**luchtslagen uit de tweede wereldoorlog de geschiedenis van de luchtvaart**

lt1046 manual

*lucky luke 58 geister ranch andere ebook*

**m6 manual for sale**

lyric and dramatic poetry 1946 82

**lucas lightfoot crystal morgan james ebook**

lpic 1 linux professional institute certification study guide

**lumpito and the painter from spain**

**m tiers du param dical h l ne bienaim**

lucent 6416d m manual

**Isuzu Diesel 3ld1 Service Manual :**

mini workshop service and repair manuals cooper s r53 l4 - May 19 2022

web cooper s r53 l4 1 6l sc w11 2004 mini workshop service and repair manuals maintenance drive belt component

information service and repair

*mini cooper service manual from bentley 2002 2006 mini mania* - Oct 24 2022

web mini cooper service workshop manual from bentley is a must have for any diy mini job for the 1st generation mini cooper

s models including 2002 2006 r53 hardtop and 2005 2006 r52 convertible

**mini workshop service and repair manuals cooper s r53 l4** - Nov 24 2022



web mini workshop service and repair manuals cooper s r53 l4 1 6l sc w11 2004 maintenance tune up and engine performance checks air cleaner housing air filter element component information technical service bulletins maintenance condition based service cbs overview mini workshop service and repair manuals home

[mini cooper s r53 repair service manual](#) - Feb 13 2022

web mini cooper s r53 repair service manual author walther specht from orientation sutd edu sg subject mini cooper s r53 repair service manual keywords mini s manual r53 cooper service repair created date 4 10 2023 12 49 59 am

[mini i r50 r52 and r53 2001 2006 repair manuals tmb](#) - Mar 29 2023

web oct 31 2023 looking for a mini one cooper cooper s r50 r52 or r53 2001 2006 service manual explore here workshop manuals for maintenance and repair of these mini cars they provide detailed instructions to solve technical problems yourself and to repair or replace parts mini petrol july 2001 2006 haynes service and repair

**1st gen r53 cooper s mini service manual for engine rebuild** - Apr 17 2022

web feb 6 2011 1st gen r53 cooper s mini service manual for engine rebuild discussion in 1st generation 2002 06 r50 r53 2004 08 r52 started by 1r53 jan 21 2011

*mini workshop service and repair manuals* - Apr 29 2023

web mini cooper cooper r50 l4 1 6l w10 2002 cooper r56 l4 1 6l n12 2008 cooper jcw r56 l4 1 6l turbo n14 2010 cooper s r53 l4 1 6l sc w11 2004 cooper s r56 l4 1 6l turbo n14 2009 cooper s r56 l4 1 6l turbo n18 2011 mini cooper clubman

**mini workshop service and repair manuals cooper s r53 l4** - Aug 22 2022

web cooper s r53 l4 1 6l sc w11 2004 mini workshop service and repair manuals engine cooling and exhaust engine drive belts mounts brackets and accessories engine mount component information technical service bulletins all other service bulletins for engine mount m360204 sep 04 recall tire monitor system defect

**mini workshop service and repair manuals cooper s r53 l4** - Jun 19 2022

web home features index about us sensors and switches wiper and washer systems diagram information and instructions page 15682 cooper s r53 l4 1 6l sc w11 2004 wiper and washer systems relays and modules wiper and washer systems wiper relay component information diagrams page 15683 wiper relay service and

*mini repair manual mini cooper mini cooper s 2002 2006* - Jan 27 2023

web engine and cylinder head service including camshaft timing chain setup and adjustment information for specific driveability problems including explanation of the engine management system and obd ii diagnostic trouble codes dtcs theory of operation and repair information for the ems2000 engine management system

[mini workshop service and repair manuals cooper s r53 l4](#) - Jul 21 2022

web mini workshop service and repair manuals cooper s r53 l4 1 6l sc w11 2004 powertrain management fuel delivery and

air induction throttle body component information technical service bulletins all technical service bulletins m120405 jul 05  
engine controls low power mil on dtc p1688 set

*mini cooper s workshop repair manual download* - Dec 26 2022

web mini cooper s workshop repair manual download workshop repair and service manual for mini cooper containing comprehensive illustrations and wiring diagrams accurate clear step by step instructions and procedures with all technical information and manufacturer specifications

*mini cooper s free workshop and repair manuals* - Sep 03 2023

web mini cooper s workshop repair and owners manuals for all years and models free pdf download for thousands of cars and trucks

**r53 workshop manual mini cooper forum** - Oct 04 2023

web feb 21 2022 here s another link for the 1st generation manual mini cooper 2002 2006 service repair workshop manual pdf

*mini cooper s r53 workshop repair manual 2000 2006 download* - Jul 01 2023

web mini cooper s r53 workshop repair manual download workshop repair and service manual for mini cooper containing comprehensive illustrations and electrical systems accurate clear step by step instructions and procedures with all technical information and manufacturer specifications

**mini cooper repair service manuals 225 pdf s** - Mar 17 2022

web in the table below you can see 0 cooper workshop manuals 0 cooper owners manuals and 98 miscellaneous mini cooper downloads our most popular manual is the cooper s r56 l4 1 6l turbo n14 2009 this like all of our manuals is available to download for free in pdf format

*downloaded workshop manuals mini cooper forum* - Aug 02 2023

web aug 5 2021 over the last fortnight i have dropped the subframe poly bushed the rear wishbone bushes and arb changed the ball joints and performed the supercharger water pump thermostat service rocker cover gasket ps fluid change and radiator hoses the haynes was really no use i got all the info i needed from youtube

[mini cooper s r53 2002 2007 haynes repair manuals guides](#) - May 31 2023

web mini cooper s r53 2002 2007 haynes repair manuals guides home car manuals mini cooper s r53 new advanced electronic diagnostics tool wiring diagrams and mechanical servicing guide

**mini workshop service and repair manuals cooper s r53 l4** - Feb 25 2023

web cooper s r53 l4 1 6l sc w11 2004 mini workshop service and repair manuals maintenance alignment system information service and repair adjusting front axle with kds toe in and camber page 2868

[mini workshop repair owners manuals 100 free](#) - Sep 22 2022

web how to find your mini workshop or owners manual we have 502 free pdf s spread across 50 mini vehicles to narrow down your search please use the dropdown box above or select from one of the available vehicles in the list below

[the secret kingdom nek chand a changing india and a](#) - Sep 09 2023

web feb 13 2018 the secret kingdom is a picture book biography of nek chand who built a secret rock garden in the outskirts of chandigarh nek chand was born in a village of berian kalan in punjab he grew up listening to stories and folk lores that fascinated him

[the secret kingdom nek chand a changing india and a hidden](#) - Mar 23 2022

web from the publisher we re big fans of barb rosenstock s picture book biographies around here this one tells the incredible story of nek chand saini nad his secret labyrinth of curving paths mosaics and repeating patterns a feast for the eyes

**the secret kingdom nek chand a changing india and a** - Jul 07 2023

web feb 13 2018 semantic scholar extracted view of the secret kingdom nek chand a changing india and a hidden world of art by b rosenstock skip to search form skip to main content skip to account menu semantic scholar s logo search 214 366 433 papers from all fields of science

**the secret kingdom nek chand a changing india and a** - Jun 06 2023

web the secret kingdom nek chand a changing india and a hidden world of art rosenstock barb amazon com tr kitap

[the secret kingdom nek chand a changing india and a](#) - Sep 28 2022

web the secret kingdom nek chand a changing india and a hidden world of art barb rosenstock illus by claire a nivola candlewick 16 99 48p isbn 978 0 7636 7475 5

**the secret kingdom nek chand a changing india and a** - Aug 28 2022

web the incredible story of the world s largest visionary environment the rock garden of chandigarh kept secret by outsider artist nek chand for fifteen years after the partition of india in 1947 nek chand saini settled in the city of chandigarh with nothing but stories brought from his homeland

[the secret kingdom nek chand a changing india and a hidden](#) - Jul 27 2022

web when the punjab region splits into pakistan and india nek has to leave his home now in pakistan and flee to the new country of india once there nek finds work building the roads of chandigarh india s first modern city but he longs for the culture and traditions of home

[the secret kingdom nek chand a changing india and a](#) - Nov 30 2022

web the incredible story of the world s largest visionary environment the rock garden of chandigarh kept secret by outsider artist nek chand for fifteen years after the partition of india in 1947 nek chand saini settled in the city of chandigarh with

nothing but stories brought from his homeland

*the secret kingdom nek chand a changing india and a hidden* - Oct 30 2022

web feb 13 2018 overview a 2019 orbis pictus honor book the incredible story of the world s largest visionary environment

the rock garden of chandigarh kept secret by outsider artist nek chand for fifteen years after the partition of india in 1947

nek chand saini settled in the city of chandigarh with nothing but stories brought from his homeland

the secret kingdom by barb rosenstock 9780763674755 brightly - Feb 19 2022

web the incredible story of the world s largest visionary environment the rock garden of chandigarh kept secret by outsider

artist nek chand for fifteen years after the partition of india in 1947 nek chand saini settled in the city of chandigarh with

nothing but stories brought from his homeland

the secret kingdom nek chand a changing india and a - Apr 23 2022

web buy the secret kingdom nek chand a changing india and a hidden world of art by rosenstock barb nivola claire a online

on amazon ae at best prices fast and free shipping free returns cash on delivery available on eligible purchase

**the secret kingdom nek chand a changing india and a** - Apr 04 2023

web the secret kingdom nek chand a changing india and a hidden world of art ebook written by barb rosenstock read this

book using google play books app on your pc android ios devices download for offline reading highlight bookmark or take

notes while you read the secret kingdom nek chand a changing india and a hidden world of

**the secret kingdom nek chand a changing india and a** - May 25 2022

web the incredible story of the world s largest visionary environment the rock garden of chandigarh kept secret by outsider

artist nek chand for fifteen years after the partition of india in 1947 nek chand saini settled in the city of chandigarh with

nothing but stories brought from his homeland

**the secret kingdom nek chand a changing india and a** - Aug 08 2023

web a 2019 orbis pictus honor bookthe incredible story of the world s largest visionary environment the rock garden of

chandigarh kept secret by outsider artist nek chand for fifteen

**the secret kingdom nek chand a changing india and a** - Jan 01 2023

web the secret kingdom nek chand a changing india and a hidden world of art ebook rosenstock barb nivola claire a amazon

in books

**the secret kingdom nek chand a changing india and a** - May 05 2023

web jun 15 2021 the secret kingdom nek chand a changing india and a hidden world of art kindle edition the incredible

story of the world s largest visionary environment the rock garden of chandigarh kept secret by outsider artist nek chand for

fifteen years

**the secret kingdom nek chand a changing india and a** - Mar 03 2023

web the secret kingdom nek chand a changing india and a hidden nek chand sains was born and raised in a punjabi village near the himalayas when the punjab region splits into pakistan and india nek has to leave his home now in pakistan and flee to the new country of india once there nek finds work building the roads of chandigarh

book connections the secret kingdom nek chand a changing india and - Jun 25 2022

web the secret kingdom nek chand a changing india and a hidden world of art by barb rosenstock and claire a nivola raised in a village in the punjab region of asia nek chand sains is surrounded by

*the secret kingdom nek chand a changing india and a* - Oct 10 2023

web feb 13 2018 301 ratings75 reviews the incredible story of the world s largest visionary environment the rock garden of chandigarh kept secret by outsider artist nek chand for fifteen years after the partition of india in 1947 nek chand sains settled in the city of chandigarh with nothing but stories brought from his homeland

**the secret kingdom nek chand a changing india and a** - Feb 02 2023

web jan 29 2018 the 1947 partition that violently cleaved the indian subcontinent into pakistan and india forced nek s family to flee their remote village home during the family s 24 day trek to india nek carried only village stories in his broken heart

**residential construction budget template net** - Jan 28 2022

web download this residential construction budget design in excel google sheets format easily editable printable downloadable take control of your residential construction project s finances with template net s user friendly

*free construction budget templates smartsheet* - Aug 15 2023

web apr 24 2020 this residential construction budget template for excel breaks down costs into a detailed list of categories including site prep water and sewer foundation masonry plumbing hvac appliances and more

**construction budget excel template download template net** - Apr 30 2022

web create a new workbook open ms excel and click the budget button on the right top of the page or go to the search bar at the top and type the budget it will show you a collection of budget templates choose one that fits your requirement or go at the back page and click on the blank workbook

**residential construction budget template** - Jul 02 2022

web residential construction budget template part of the construction download this residential construction budget template design in google docs word excel pdf google sheets apple pages apple numbers format

**try our free residential construction budget template** - Dec 27 2021

web choose our residence construction budget template to see all the steps required until form your project budget in one central place dial our residential assembly budget template to see entire the steps required to form your project budget in

one central place

**free construction estimate templates smartsheet** - Nov 06 2022

web oct 28 2020 download simple construction estimate template excel google sheets new home construction estimate template estimate the cost of building a new home with this detailed spreadsheet template you ll find a thorough list of construction tasks plus columns for calculating costs including markup

*try our free residential construction budget template ganttpro* - Apr 11 2023

web residential construction budget template use ganttpro residential construction budget template to break down costs into detailed categories visualize your financial activities more effectively than in a free residential construction budget template in excel or a residential construction budget template in google sheets

**how to create a construction budget template in excel** - Dec 07 2022

web may 9 2022 step by step instructions on how to create a construction budget sheet with a free template in excel if you need a quick and easy way to create a basic budget worksheet for managing the finances of your construction project starting from a template in microsoft excel is a great option

*free construction schedule templates smartsheet* - Sep 04 2022

web jul 30 2019 download a residential construction schedule template for excel google sheets smartsheet complete your residential construction project on time and within budget with this simple scheduling template which allows you to manage project tasks in a user friendly gantt chart format

*free construction project management templates in excel smartsheet* - Oct 05 2022

web oct 19 2015 managing work construction management excel construction management templates get free smartsheet templates by diana ramos october 19 2015 updated august 7 2023 in this article you will find a roundup of the top construction excel templates to help you plan track and manage your construction projects from

*mastering residential construction budgeting free template houzz* - Feb 09 2023

web steps for creating a realistic budget for your residential construction project how to stick to your residential construction budget download our free residential construction budget template for excel while construction budget examples and templates can be great starting points they re limited in scope and aren t necessarily the most

[try our free residential construction budget template](#) - Jun 01 2022

web choose our residential construction budget template to see all the steps required to form you project budget to one central placing

[construction budget template free download buildbook](#) - May 12 2023

web download our easy to use and completely free residential construction budget template for excel or google sheets

perfect for busy custom home builders and remodelers who need a simple and stress free way to create maintain and share a **14 construction budget templates pdf excel word apple** - Feb 26 2022

web construction budget template details file format google docs google sheets ms excel ms word numbers pages size us a4 download budgeting is crucial when it comes to construction projects which is why it is always safe and wise to invest in our construction budget template in google docs

**free construction budget templates cost estimator excel** - Jan 08 2023

web residential construction budget spreadsheet a residential construction cost estimator excel sheet uses formulas and clear formatting to estimate the costs of construction excel is a great resource for budgeting but using the program as a novice can be fraught with difficulty unless you use a well made template as your guide

**7 free construction budget templates for download archdesk** - Jun 13 2023

web 01 construction budget template without specific budget items use this template to estimate and track the actual cost of each task or material together with who was responsible for each item you can see when you re over under budget thanks to the red amber and green and amber colour scheme 02 construction budget template cost

**construction budget templates download print for free** - Mar 10 2023

web our free excel construction budget template is just what you need to keep track of your project s finances this construction budgeting template is easy to download and use it lets you organize and track costs keep an eye on

[free construction budget templates for any project excel](#) - Jul 14 2023

web oct 30 2020 the four key parts of a construction budget 1 hard costs 2 soft costs 3 general conditions 4 permits and fees free construction budget templates residential construction budget template estimate vs actual budget template commercial construction budget template tips for creating an accurate construction

*free construction budget templates for google how to* - Mar 30 2022

web jul 13 2023 on this page you ll find five valuable templates including a residential construction budget template with sample data a multi unit residential construction budget template a commercial construction budget template and a home renovation construction budget template

**construction budget template spreadsheet com templates** - Aug 03 2022

web manage your home construction project s timeline materials and budget with the home construction remodeling plan template this construction incident tracking incident management template helps you and your