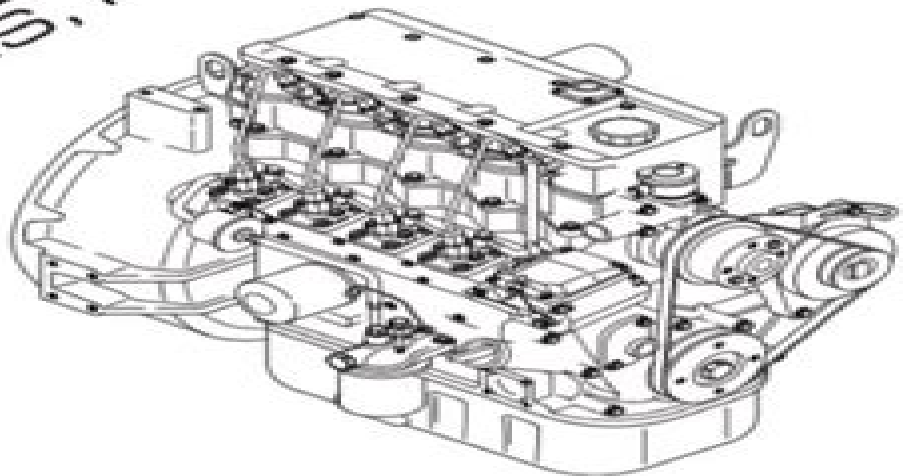


0D9255

GENERAC®
POWER SYSTEMS, INC.



2.2 LITER

ISUZU

D I E S E L

***ENGINE
PARTS
MANUAL***

Isuzu Marine Diesel Engine Manual

Padhraic Smyth



Isuzu Marine Diesel Engine Manual:

This is likewise one of the factors by obtaining the soft documents of this **Isuzu Marine Diesel Engine Manual** by online. You might not require more mature to spend to go to the ebook commencement as capably as search for them. In some cases, you likewise reach not discover the declaration Isuzu Marine Diesel Engine Manual that you are looking for. It will no question squander the time.

However below, following you visit this web page, it will be consequently enormously simple to get as competently as download lead Isuzu Marine Diesel Engine Manual

It will not say yes many period as we tell before. You can reach it though statute something else at house and even in your workplace. hence easy! So, are you question? Just exercise just what we have enough money under as with ease as evaluation **Isuzu Marine Diesel Engine Manual** what you next to read!

http://www.armchairempire.com/About/browse/HomePages/lg_60lb5820_582t_582y_tb_led_tv_service_manual.pdf

Table of Contents Isuzu Marine Diesel Engine Manual

1. Understanding the eBook Isuzu Marine Diesel Engine Manual
 - The Rise of Digital Reading Isuzu Marine Diesel Engine Manual
 - Advantages of eBooks Over Traditional Books
2. Identifying Isuzu Marine Diesel Engine Manual
 - Exploring Different Genres
 - Considering Fiction vs. Non-Fiction
 - Determining Your Reading Goals
3. Choosing the Right eBook Platform
 - Popular eBook Platforms
 - Features to Look for in an Isuzu Marine Diesel Engine Manual
 - User-Friendly Interface
4. Exploring eBook Recommendations from Isuzu Marine Diesel Engine Manual

- Personalized Recommendations
- Isuzu Marine Diesel Engine Manual User Reviews and Ratings
- Isuzu Marine Diesel Engine Manual and Bestseller Lists
- 5. Accessing Isuzu Marine Diesel Engine Manual Free and Paid eBooks
 - Isuzu Marine Diesel Engine Manual Public Domain eBooks
 - Isuzu Marine Diesel Engine Manual eBook Subscription Services
 - Isuzu Marine Diesel Engine Manual Budget-Friendly Options
- 6. Navigating Isuzu Marine Diesel Engine Manual eBook Formats
 - ePub, PDF, MOBI, and More
 - Isuzu Marine Diesel Engine Manual Compatibility with Devices
 - Isuzu Marine Diesel Engine Manual Enhanced eBook Features
- 7. Enhancing Your Reading Experience
 - Adjustable Fonts and Text Sizes of Isuzu Marine Diesel Engine Manual
 - Highlighting and Note-Taking Isuzu Marine Diesel Engine Manual
 - Interactive Elements Isuzu Marine Diesel Engine Manual
- 8. Staying Engaged with Isuzu Marine Diesel Engine Manual
 - Joining Online Reading Communities
 - Participating in Virtual Book Clubs
 - Following Authors and Publishers Isuzu Marine Diesel Engine Manual
- 9. Balancing eBooks and Physical Books Isuzu Marine Diesel Engine Manual
 - Benefits of a Digital Library
 - Creating a Diverse Reading Collection Isuzu Marine Diesel Engine Manual
- 10. Overcoming Reading Challenges
 - Dealing with Digital Eye Strain
 - Minimizing Distractions
 - Managing Screen Time
- 11. Cultivating a Reading Routine Isuzu Marine Diesel Engine Manual
 - Setting Reading Goals Isuzu Marine Diesel Engine Manual
 - Carving Out Dedicated Reading Time
- 12. Sourcing Reliable Information of Isuzu Marine Diesel Engine Manual

- Fact-Checking eBook Content of Isuzu Marine Diesel Engine Manual
 - Distinguishing Credible Sources
13. Promoting Lifelong Learning
- Utilizing eBooks for Skill Development
 - Exploring Educational eBooks
14. Embracing eBook Trends
- Integration of Multimedia Elements
 - Interactive and Gamified eBooks

Isuzu Marine Diesel Engine Manual Introduction

In today's digital age, the availability of Isuzu Marine Diesel Engine Manual books and manuals for download has revolutionized the way we access information. Gone are the days of physically flipping through pages and carrying heavy textbooks or manuals. With just a few clicks, we can now access a wealth of knowledge from the comfort of our own homes or on the go. This article will explore the advantages of Isuzu Marine Diesel Engine Manual books and manuals for download, along with some popular platforms that offer these resources. One of the significant advantages of Isuzu Marine Diesel Engine Manual books and manuals for download is the cost-saving aspect. Traditional books and manuals can be costly, especially if you need to purchase several of them for educational or professional purposes. By accessing Isuzu Marine Diesel Engine Manual versions, you eliminate the need to spend money on physical copies. This not only saves you money but also reduces the environmental impact associated with book production and transportation. Furthermore, Isuzu Marine Diesel Engine Manual books and manuals for download are incredibly convenient. With just a computer or smartphone and an internet connection, you can access a vast library of resources on any subject imaginable. Whether you're a student looking for textbooks, a professional seeking industry-specific manuals, or someone interested in self-improvement, these digital resources provide an efficient and accessible means of acquiring knowledge. Moreover, PDF books and manuals offer a range of benefits compared to other digital formats. PDF files are designed to retain their formatting regardless of the device used to open them. This ensures that the content appears exactly as intended by the author, with no loss of formatting or missing graphics. Additionally, PDF files can be easily annotated, bookmarked, and searched for specific terms, making them highly practical for studying or referencing. When it comes to accessing Isuzu Marine Diesel Engine Manual books and manuals, several platforms offer an extensive collection of resources. One such platform is Project Gutenberg, a nonprofit organization that provides over 60,000 free eBooks. These books are primarily in the public domain, meaning they can be freely distributed and downloaded. Project Gutenberg offers a wide range of classic literature, making it an excellent resource for

literature enthusiasts. Another popular platform for Isuzu Marine Diesel Engine Manual books and manuals is Open Library. Open Library is an initiative of the Internet Archive, a non-profit organization dedicated to digitizing cultural artifacts and making them accessible to the public. Open Library hosts millions of books, including both public domain works and contemporary titles. It also allows users to borrow digital copies of certain books for a limited period, similar to a library lending system. Additionally, many universities and educational institutions have their own digital libraries that provide free access to PDF books and manuals. These libraries often offer academic texts, research papers, and technical manuals, making them invaluable resources for students and researchers. Some notable examples include MIT OpenCourseWare, which offers free access to course materials from the Massachusetts Institute of Technology, and the Digital Public Library of America, which provides a vast collection of digitized books and historical documents. In conclusion, Isuzu Marine Diesel Engine Manual books and manuals for download have transformed the way we access information. They provide a cost-effective and convenient means of acquiring knowledge, offering the ability to access a vast library of resources at our fingertips. With platforms like Project Gutenberg, Open Library, and various digital libraries offered by educational institutions, we have access to an ever-expanding collection of books and manuals. Whether for educational, professional, or personal purposes, these digital resources serve as valuable tools for continuous learning and self-improvement. So why not take advantage of the vast world of Isuzu Marine Diesel Engine Manual books and manuals for download and embark on your journey of knowledge?

FAQs About Isuzu Marine Diesel Engine Manual Books

What is a Isuzu Marine Diesel Engine Manual PDF? A PDF (Portable Document Format) is a file format developed by Adobe that preserves the layout and formatting of a document, regardless of the software, hardware, or operating system used to view or print it. **How do I create a Isuzu Marine Diesel Engine Manual PDF?** There are several ways to create a PDF: Use software like Adobe Acrobat, Microsoft Word, or Google Docs, which often have built-in PDF creation tools. Print to PDF: Many applications and operating systems have a "Print to PDF" option that allows you to save a document as a PDF file instead of printing it on paper. Online converters: There are various online tools that can convert different file types to PDF. **How do I edit a Isuzu Marine Diesel Engine Manual PDF?** Editing a PDF can be done with software like Adobe Acrobat, which allows direct editing of text, images, and other elements within the PDF. Some free tools, like PDFescape or Smallpdf, also offer basic editing capabilities. **How do I convert a Isuzu Marine Diesel Engine Manual PDF to another file format?** There are multiple ways to convert a PDF to another format: Use online converters like Smallpdf, Zamzar, or Adobe Acrobats export feature to convert PDFs to formats like Word, Excel, JPEG, etc. Software like Adobe Acrobat, Microsoft

Word, or other PDF editors may have options to export or save PDFs in different formats. **How do I password-protect a Isuzu Marine Diesel Engine Manual PDF?** Most PDF editing software allows you to add password protection. In Adobe Acrobat, for instance, you can go to "File" -> "Properties" -> "Security" to set a password to restrict access or editing capabilities. Are there any free alternatives to Adobe Acrobat for working with PDFs? Yes, there are many free alternatives for working with PDFs, such as: LibreOffice: Offers PDF editing features. PDFsam: Allows splitting, merging, and editing PDFs. Foxit Reader: Provides basic PDF viewing and editing capabilities. How do I compress a PDF file? You can use online tools like Smallpdf, ILovePDF, or desktop software like Adobe Acrobat to compress PDF files without significant quality loss. Compression reduces the file size, making it easier to share and download. Can I fill out forms in a PDF file? Yes, most PDF viewers/editors like Adobe Acrobat, Preview (on Mac), or various online tools allow you to fill out forms in PDF files by selecting text fields and entering information. Are there any restrictions when working with PDFs? Some PDFs might have restrictions set by their creator, such as password protection, editing restrictions, or print restrictions. Breaking these restrictions might require specific software or tools, which may or may not be legal depending on the circumstances and local laws.

Find Isuzu Marine Diesel Engine Manual :

[lg 60lb5820 582t 582y tb led tv service manual](#)

letters aesthetical education classic thought

lettuce wars by neuburger bruce 2013 paperback

lg 47lb680v 47lb680v zd led tv service manual

[lg 5400 manual](#)

lexmark c760 c762 5060 4xx service parts manual

letter of congratulation to a rotarian

lexmark optra sc 1275 5040 service manual

lexicon american style

[lexmark ms310dn manual](#)

lexicon of musical invective critical assaults on composers since beethovens time

lexus sc430 owners manual

lexus is200 workshop manual

lex sportiva what is sports law asser international sports law series

levenspiel chemical reaction engineering solution manual

Isuzu Marine Diesel Engine Manual :

suite 8 front desk manual pdf menu computing scribd - Dec 10 2022

web define the path of the suite8 client program files default is c fidelio programs 6 click ignore to retry with selected value use default values for all other incorrect items ifc

fidelio suite 8 setup client nexgenbattery - Jan 31 2022

web enable the organization storage and creation of information which can be accessed and manipulated in an easy and effortless manner this book on information systems discusses topics related to the processes and protocols involved in information storage and retrieval communication is the major field in which information systems are involved

oracle hospitality suite8 front desk user manual release 8 9 - Jun 16 2023

web 22 suite8 configuration activation license code activate leisure in suite8 under setup miscellaneous license v8 sublicenses suite8 property management l102826

fideliosuite8setupclient 2022 dev2 bryanu - Dec 30 2021

web 1 2 497 fidelio suite client 8 9 fidelio version 8 is a fully integrated flexible software package designed to maximize the efficiency of hotel operations the system contains

oracle hospitality suite8 manualzz - Feb 12 2023

web software description fidelio version 8 is a fully integrated flexible software package designed to maximize the efficiency of hotel operations the system contains all the

fidelio suite 8 setup client qa nuevesolutions com - Oct 28 2021

oracle hospitality suite8 installation guide for suite8 docplayer - May 15 2023

web windows 7 windows 8 1 windows server 2008 r2 and windows server 2012 r2 for windows 10 only oracle client version 12cr1 12 1 0 2 32bit is compatible minimum

oracle hospitality suite8 installation guide release 8 10 0 0 - Aug 18 2023

web the oracle client versions 11gr2 11 2 0 4 32 bit and 12cr1 12 1 0 1 12 1 0 2 32 bit are compatible with windows 7 windows 8 8 1 8 1 windows server 2008 r2 and windows

oracle hospitality suite8 quick keys user manual release 8 9 - Sep 07 2022

web may 16 2019 how to make a reservation fidelio suite 8 jared0848 119 subscribers 139 29k views 4 years ago good day hope this tutorial can help may fellow reception on

fidelio suite 8 setup client download only uiaf - Jul 05 2022

web 2 fidelio suite 8 setup client 2021 09 11 computerworld com twice monthly publication focused conference series and custom research form the hub of the world s largest

how to make a reservation fidelio suite 8 youtube - Aug 06 2022

web fidelio suite 8 setup client is available in our digital library an online access to it is set as public so you can get it instantly our books collection spans in multiple locations

fidelio suite 8 setup client uniport edu - Apr 02 2022

web we present you this proper as skillfully as easy artifice to acquire those all we meet the expense of fidelio suite 8 setup client and numerous book collections from fictions to

best solutions fidelio suite 8 micros rs - Jan 11 2023

web 1 introduction about suite 8 front desk the suite 8 front desk module is used for entering searching and modifying reservations for arrivals and in house guests performing room

best solutions fidelio suite 8 - Oct 08 2022

web 1 from the desktop click the fidelio suite8 icon the suite8 splash screen is displayed for several seconds with the payment application data security standard pa dss

installation guide oracle - Apr 14 2023

web users familiar with the fidelio suite8 table structure and fields can create a customised grid view for the profile search this functionality is controlled by the parameter custom view

fidelio suite 8 setup client portal dlc ui edu - Jun 04 2022

web fidelio suite 8 setup client right here we have countless book fidelio suite 8 setup client and collections to check out we additionally give variant types and in addition to

fidelio client 8 7 download fideliov8 exe software - Sep 19 2023

web 8 if you manually upgrad e and do not use the suite8 installer copy all files in the programs zip file to the suite8 programs directory for example fidelio programs 9

fidelio suite 8 setup client pdf - Mar 01 2022

web dressing herself as a boy and setting off astride her magnificent stallion solovey but after vasilisa prevails in a skirmish with bandits everything changes the grand prince of

oracle hospitality suite8 install shield release 8 9 6 0 february - Jul 17 2023

web from the desktop click the fidelio suite8 icon the suite8 splash screen is displayed for several seconds with the payment application data security standard pa dss

micros fidelio suite 8 download free suggestions softadvice - Nov 28 2021

web 2 fidelio suite 8 setup client 2019 12 31 form the hub of the world s largest global it media network harpers weekly modern library the conflict and dissociation between

fidelio suite 8 setup client 2022 test prconvention - May 03 2022

web sep 6 2023 fidelio suite 8 setup client 1 1 downloaded from uniport edu ng on september 6 2023 by guest fidelio suite 8 setup client eventually you will

oracle hospitality suite8 how to manual release 8 9 july 2015 - Mar 13 2023

web how to configure the fidelio xml interface via http protocol prerequisites fidelio v8 version 8 4 0 9 or higher web server microsoft internet information server v 5 0 or

hotel property interface oracle - Nov 09 2022

web fidelio version 8 modules fidelio version 8 integrated modules are 1 the database clients customer relationship management crm 2 reservations 3 front office

lpc rules for automatic sprinkler installations 2015 google books - Mar 12 2023

web lpc rules for automatic sprinkler installations 2015 incorporating bs en 12845 british standard contributors british standards institution fire protection association loss prevention council risc authority publisher fire protection association 2015 isbn 1902790928 9781902790923

recommendation of fire safety standard advisory group hkis - Apr 13 2023

web tb technical bulletins contained in the loss prevention council rules for automatic sprinkler installations incorporating bs en 12845 2003 and including all updated technical bulletins in february 2004 page 3 of 44 definition

how do the lpc bs en 12845 2015 changes affect you - Nov 08 2022

web mar 17 2017 in january 2016 the loss prevention council lpc rules for automatic sprinkler systems incorporating bs en 12845 were revised meaning numerous changes to the lpc rules which will affect the sprinkler system and how the other building services integrate with it

loss prevention standard redbook live - Jan 10 2023

web lps 1131 issue 2 0 requirements and testing methods for pumps for automatic sprinkler installation pump sets this loss prevention standard is the property of bre global limited and is made publicly available for information purposes only

lpcb redbook live our history - Jun 15 2023

web the foc technical documents became loss prevention council rules and standards and the approval schemes became loss prevention standards lps bre s story in 1921 a government funded laboratory the building research station brs was formed initially to investigate building materials and construction methods for new housing following world

loss prevention officer salary in singapore indeed - Jun 03 2022

web aug 15 2023 the average salary for a loss prevention officer is 3 443 per month in singapore 53 salaries reported updated at 15 august 2023 is this useful maybe top companies for loss prevention officers in singapore st regis hotels 4 2 245 reviews 7 salaries reported 2 136 per month

loss prevention standard redbook live - May 14 2023

web loss prevention standard lps 1195 part 1 issue 4 1 fire test and evaluation requirements for the lpcb approval and listing of temporary buildings for use on construction sites this document specifies the test and performance requirements for temporary buildings for use on construction sites used at locations less than 6m from

redbook live lps - Sep 06 2022

web loss prevention standards the loss prevention standards lps are for information only and should not be used for any other purpose their use is subject to interpretation by our experts and we take no responsibility for their use by

loss prevention council rules for automatic sprinkler - Jul 16 2023

web loss prevention council formed from a merger of the fire offices committee the fire insurers research and testing organisation and the insurers technical bureau in 1984 the loss prevention council lpc later went on to develop a certification body the loss prevention certification board lpcb itself taken over by bre certification in april 2000

read free loss prevention council rules for automatic sprinkler - May 02 2022

web loss prevention council rules for automatic sprinkler regulations and rules relating to the constitution of a legislative council for the central provinces and of certain amendments in the imperial council regulations east india legislative councils feb 27 2021 the bar council of india rules dec 08 2021 council s rules of procedure

loss prevention standards - Oct 07 2022

web source loss prevention council lpc accidental discharge of water due to manufacturing defects is 1 in 14 000 000 per year of service source lpc uk and fm usa source of the above facts british automatic fire sprinkler association additional information aviva loss prevention standard sprinkler systems flexible connections

fire protection lpc rules for automatic sprinkler installations - Aug 17 2023

web in full the requirements of the 29th edition of the foc rules together with unpublished amendments thereto the activities of the foc were acquired by the loss prevention council lpc on its formation in 1985 in 1991 the lpc undertook the publication of its lpc rules for automatic sprinkler installations

loss prevention council rules orientation sutd edu - Feb 28 2022

web the council on addiction prevention and education of dutchess county is pleased to announce the publication of positive social and health outcomes for adolescents an

common offences for limited liability partnerships - Apr 01 2022

web section 23 requirement of having a manager section 23 1 states that every limited liability partnership shall ensure that it has at least one manager who is a natural person has attained the age of 18 years and is otherwise of full legal capacity and is ordinarily resident in singapore section 23 2 states that every limited

sprinkler system bafsa - Feb 11 2023

web or the lpc loss prevention council rules section 20 of bs en 12845 details the maintenance requirements for a sprinkler system

loss prevention council lpc design guide fire protection of - Aug 05 2022

web the basic principles required to achieve adequate property and business insurance protection are defined within the loss prevention council board s red book and the lpc design guide for the fire protection of buildings 2000 which includes the essential principles document

manage loss prevention course in singapore f b industry - Jul 04 2022

web manage loss prevention course takes you through the intricate process of developing critical loss prevention policies and procedures it also explores effective controls to administer theft prevention from internal as well as external sources you will also learn how to develop and establish solid receiving and storage guidelines to prevent

loss prevention standard redbook live - Dec 09 2022

web loss prevention standard lps 1301 issue 1 1 requirements for the approval of sprinkler installers in the uk and ireland for residential and domestic sprinkler systems this loss prevention standard is the property of bre global ltd and is made publicly available for information purposes only

lpcb global certification and standards for fire and security - Sep 18 2023

web the loss prevention certification board lpcb is a globally recognised third party certification body delivering certainty for over 150 years part of bre the lpcb has worked with industry and insurers since 1868 to set the standards needed to make sure that fire and security products and services perform effectively

technical guidance application of lpc rules for automatic - Oct 19 2023

web equipment in which the loss prevention council lpc rules for automatic sprinkler installations incorporating bs en 12845 with suitable modification pertinent to hong kong shall be followed

how to write the best capsim final report for great results - Jan 31 2022

capacity analysis in capsim in the industry part it says the way to calculate first shift capacity is by total the capacity of each product in that segment im not understanding what they

sa from 54 foundation managers guide capsim - Jan 11 2023

capsim situational analysis report perceptual map analysis the analysis is based on andrews company in round 4 the company

has 5 products able acre adam aft and agape

esma50 524821 2931 esg names and claims in the eu fund - Apr 02 2022

sep 6 2022 company strategy analysis in order to gain market share in the segments in the area of operation that the company was in the company maintained its focus as the cost

capsim saas berkeley - Aug 06 2022

capsim provides project management services it engages in computer modeling of equipment items and systems and development of simulation tools optimization of equipment items and

assessments capsim - May 03 2022

3 this text is excellent as a strategic management text which uses the capstone simulation and cases to explain the linkages of strategic management concepts to real world business

analysis trump could gain edge from former lawyer s georgia - Mar 21 2021

oct 15 2023 the global economy is facing tremendous uncertainty from the war between hamas and israel in the middle east on top of the ongoing war between russia and ukraine

chester company final summary report capsim - Dec 30 2021

pharmasim case study 1 allstar captured an additional 16 5 of the cold product segment of the market accordingly their market share of manufacturer sales of the otc cold product market

solved capsim simulation conduct an external analysis of the - Sep 07 2022

feb 10 2019 disclaimer this video has no voice over instructions screen recording only uploaded as group reference for strategic management students though hoping that

solved capacity analysis in capsim in the industry part it chegg - Nov 28 2021

future success will depend on leveraging the core competencies of chester and the accurate analysis of competitor s actions and direction due to the strong competitive rivalry of the

capsim situation analysis tutorial youtube - Apr 14 2023

nov 5 2015 an introductory guide to value chain analysis post by capsim november 5 2015 legendary business analyst michael porter known for developing the three generic strategies

ambler access project would cause environmental harm - Dec 18 2020

capsim competitive analysis 304 words cram - Oct 28 2021

12 hours ago deutsche bank downgrades three solar stocks as industry demand weakens in the u s and europe published fri oct 20 2023 6 39 am edt lisa kailai han lisakailaihan

[marijuana industry hopes ohio s issue 2 can boost bottom line](#) - Feb 17 2021

oct 13 2023 by lisa friedman oct 13 2023 a proposed 211 mile industrial road that would cut through pristine alaskan wilderness to reach a planned copper and zinc mine would disrupt

[capsim company profile financial and strategic swot](#) - Jun 04 2022

esma trv risk analysis 2 october 2023 8 available snapshot of eu funds as a basis for a historical analysis funds can change their legal name over time for example to take

eu aims to counter china by bolstering wind energy industry - Jul 25 2021

2 days ago global real estate industry report 2023 market summary competitive analysis and forecasts 2018 2022 2023 2027 researchandmarkets com october 18 2023 07 27

[2 demand analysis capsim portal demand analysis calculating](#) - Aug 18 2023

the industry demand analysis will help the marketing and production departments understand future demand marketing can use the total demand for each segment as it creates a sales

global real estate industry report 2023 market summary - May 23 2021

1 day ago former president donald trump could gain a strategic edge in a criminal case against him when one of his lawyers turned co defendants goes on trial next week on charges he

[express scripts conspired to overcharge pharmacies class](#) - Jun 23 2021

4 hours ago tesla s slowing growth is sending a warning to all ev makers stock falling again after dropping 9 3 on thursday analyst says demand is slowing for tesla sees ripple

3 instructor environment 3 6 industry results reports - Jul 17 2023

the automated debrief tool makes instructors look like industry analysts teeing up insights talking points and visuals to share with participants after each round of the simulation the

business simulation and assessment technology capsim - Mar 13 2023

2 industry demand analysis the industry demand analysis will help the marketing and production departments understand future demand marketing can use the total demand for

an introductory guide to value chain analysis capsim - Feb 12 2023

students can conduct industry analysis to assess the relative market position of a firm or product division students can prepare a written analysis of a business situation including

strategy and competition dr joseph brum webster university - Dec 10 2022

the industry conditions report is available from your simulation dashboard buying criteria customers within each market segment have different standards as they evaluate products

analysis israel hamas war risks further deglobalization and - Jan 19 2021

deutsche bank downgrades three solar stocks as industry - Aug 26 2021

5 hours ago a group of pharmacies has filed a proposed class action lawsuit accusing cigna group s pharmacy benefit manager unit express scripts inc of conspiring with another

industry conditions report capsim - Jun 16 2023

feb 19 2021 link to resources psychologyofbusiness beehiv com p capsim materials more resources for capsim can be found on my website brandonantoinegriffin com

tesla s tsla slowing growth sends warning to ev industry - Apr 21 2021

1 day ago brightfield estimates the u s marijuana industry will grow to 51 billion in 2028 in ohio if issue 2 is approved

brightfield estimates the market will reach 1 3 billion in 2026 and

team member guide capsim - Oct 08 2022

introduction capsim is an online business simulation that i participated in as part of the ugba 10 course at berkeley in the simulation i managed a company that competed against five other

ebook student capsim - Mar 01 2022

chester company final summary report capsim 2022 figure 1 production analysis round 8 for chester in rounds 6 7 and 8 the company did not borrow any emergency loans and operated

situation analysis capsim - Sep 19 2023

the situation analysis will help your company understand current market conditions and how the industry will evolve over the next eight years the analysis can be done as a group or you can assign parts to individuals and then report back to the rest of the company

final capsim report case study template - Sep 26 2021

2 days ago eu aims to counter china by bolstering wind industry protection by john ainger october 18 2023 at 3 31 am pdt the european union is set to pledge to protect its wind

capsim situational analysis report - Nov 09 2022

expert answer capsim simulation conduct an external analysis of the industry you re competing in using the following frameworks 1 3 paragraphs per framework pestel

business simulations capsim - May 15 2023

transform business skills with proven simulation and assessment technology provide immersive hands on learning experiences in a real world environment so you can measure

capsim tutorial 3 situation analysis youtube - Jul 05 2022

capsim assessments answer the needs of both instructors and accreditation managers to create a standardized and streamlined process for learning outcomes assessment a simulation