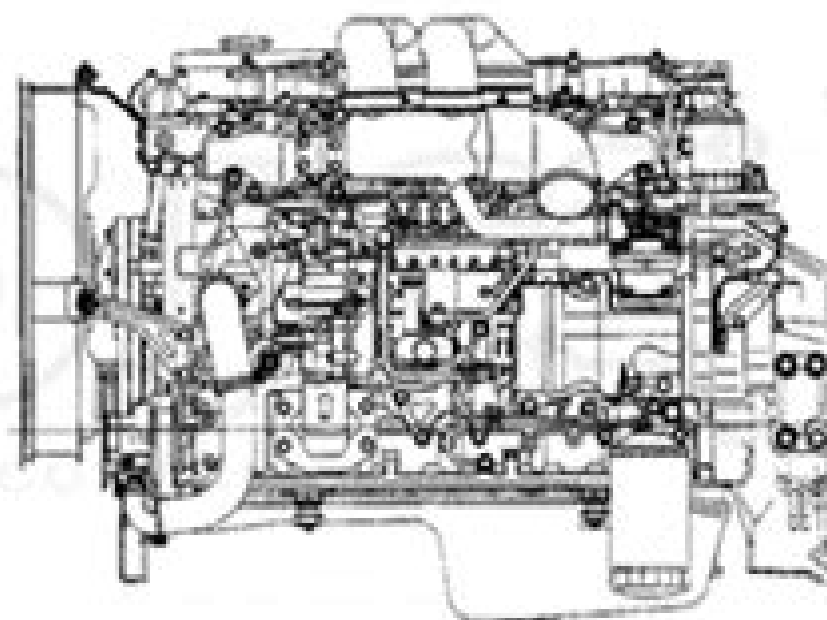
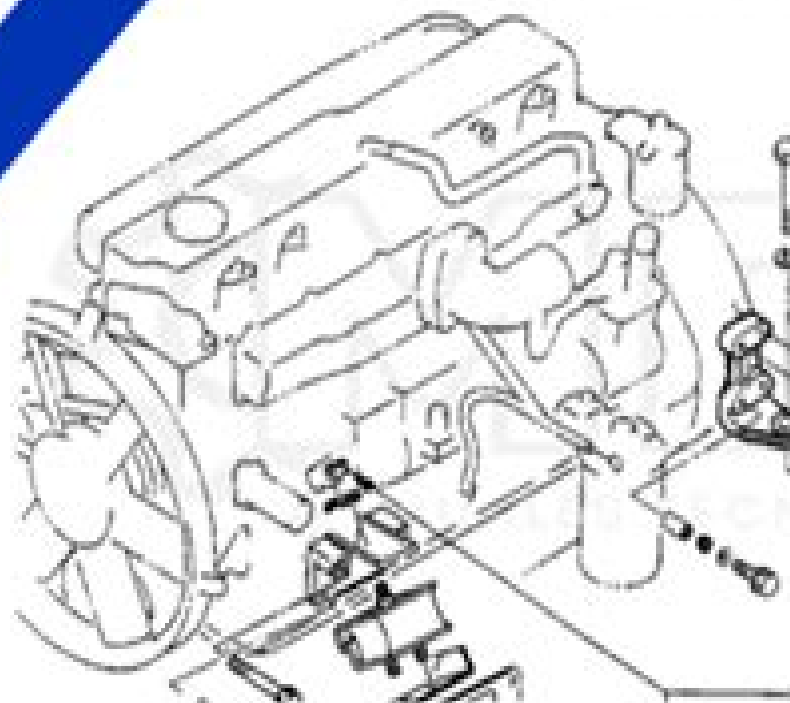


ISUZU

6HH1



Diesel L6 / Direct Injection / 8,226 cm³ / 2 Valve / OHC

Isuzu 6hh1 Engine Repair Workshop Manual

S Nieto



Isuzu 6hh1 Engine Repair Workshop Manual:

Decoding **Isuzu 6hh1 Engine Repair Workshop Manual**: Revealing the Captivating Potential of Verbal Expression

In a time characterized by interconnectedness and an insatiable thirst for knowledge, the captivating potential of verbal expression has emerged as a formidable force. Its ability to evoke sentiments, stimulate introspection, and incite profound transformations is genuinely awe-inspiring. Within the pages of "**Isuzu 6hh1 Engine Repair Workshop Manual**," a mesmerizing literary creation penned with a celebrated wordsmith, readers set about an enlightening odyssey, unraveling the intricate significance of language and its enduring affect our lives. In this appraisal, we shall explore the book is central themes, evaluate its distinctive writing style, and gauge its pervasive influence on the hearts and minds of its readership.

<http://www.armchairempire.com/public/virtual-library/fetch.php/literacy%20assessment%20and%20intervention%20for%20classroom%20teachers.pdf>

Table of Contents Isuzu 6hh1 Engine Repair Workshop Manual

1. Understanding the eBook Isuzu 6hh1 Engine Repair Workshop Manual
 - The Rise of Digital Reading Isuzu 6hh1 Engine Repair Workshop Manual
 - Advantages of eBooks Over Traditional Books
2. Identifying Isuzu 6hh1 Engine Repair Workshop Manual
 - Exploring Different Genres
 - Considering Fiction vs. Non-Fiction
 - Determining Your Reading Goals
3. Choosing the Right eBook Platform
 - Popular eBook Platforms
 - Features to Look for in an Isuzu 6hh1 Engine Repair Workshop Manual
 - User-Friendly Interface
4. Exploring eBook Recommendations from Isuzu 6hh1 Engine Repair Workshop Manual
 - Personalized Recommendations
 - Isuzu 6hh1 Engine Repair Workshop Manual User Reviews and Ratings

- Isuzu 6hh1 Engine Repair Workshop Manual and Bestseller Lists
- 5. Accessing Isuzu 6hh1 Engine Repair Workshop Manual Free and Paid eBooks
 - Isuzu 6hh1 Engine Repair Workshop Manual Public Domain eBooks
 - Isuzu 6hh1 Engine Repair Workshop Manual eBook Subscription Services
 - Isuzu 6hh1 Engine Repair Workshop Manual Budget-Friendly Options
- 6. Navigating Isuzu 6hh1 Engine Repair Workshop Manual eBook Formats
 - ePub, PDF, MOBI, and More
 - Isuzu 6hh1 Engine Repair Workshop Manual Compatibility with Devices
 - Isuzu 6hh1 Engine Repair Workshop Manual Enhanced eBook Features
- 7. Enhancing Your Reading Experience
 - Adjustable Fonts and Text Sizes of Isuzu 6hh1 Engine Repair Workshop Manual
 - Highlighting and Note-Taking Isuzu 6hh1 Engine Repair Workshop Manual
 - Interactive Elements Isuzu 6hh1 Engine Repair Workshop Manual
- 8. Staying Engaged with Isuzu 6hh1 Engine Repair Workshop Manual
 - Joining Online Reading Communities
 - Participating in Virtual Book Clubs
 - Following Authors and Publishers Isuzu 6hh1 Engine Repair Workshop Manual
- 9. Balancing eBooks and Physical Books Isuzu 6hh1 Engine Repair Workshop Manual
 - Benefits of a Digital Library
 - Creating a Diverse Reading Collection Isuzu 6hh1 Engine Repair Workshop Manual
- 10. Overcoming Reading Challenges
 - Dealing with Digital Eye Strain
 - Minimizing Distractions
 - Managing Screen Time
- 11. Cultivating a Reading Routine Isuzu 6hh1 Engine Repair Workshop Manual
 - Setting Reading Goals Isuzu 6hh1 Engine Repair Workshop Manual
 - Carving Out Dedicated Reading Time
- 12. Sourcing Reliable Information of Isuzu 6hh1 Engine Repair Workshop Manual
 - Fact-Checking eBook Content of Isuzu 6hh1 Engine Repair Workshop Manual
 - Distinguishing Credible Sources

13. Promoting Lifelong Learning
 - Utilizing eBooks for Skill Development
 - Exploring Educational eBooks
14. Embracing eBook Trends
 - Integration of Multimedia Elements
 - Interactive and Gamified eBooks

Isuzu 6hh1 Engine Repair Workshop Manual Introduction

In today's digital age, the availability of Isuzu 6hh1 Engine Repair Workshop Manual books and manuals for download has revolutionized the way we access information. Gone are the days of physically flipping through pages and carrying heavy textbooks or manuals. With just a few clicks, we can now access a wealth of knowledge from the comfort of our own homes or on the go. This article will explore the advantages of Isuzu 6hh1 Engine Repair Workshop Manual books and manuals for download, along with some popular platforms that offer these resources. One of the significant advantages of Isuzu 6hh1 Engine Repair Workshop Manual books and manuals for download is the cost-saving aspect. Traditional books and manuals can be costly, especially if you need to purchase several of them for educational or professional purposes. By accessing Isuzu 6hh1 Engine Repair Workshop Manual versions, you eliminate the need to spend money on physical copies. This not only saves you money but also reduces the environmental impact associated with book production and transportation.

Furthermore, Isuzu 6hh1 Engine Repair Workshop Manual books and manuals for download are incredibly convenient. With just a computer or smartphone and an internet connection, you can access a vast library of resources on any subject imaginable. Whether you're a student looking for textbooks, a professional seeking industry-specific manuals, or someone interested in self-improvement, these digital resources provide an efficient and accessible means of acquiring knowledge. Moreover, PDF books and manuals offer a range of benefits compared to other digital formats. PDF files are designed to retain their formatting regardless of the device used to open them. This ensures that the content appears exactly as intended by the author, with no loss of formatting or missing graphics. Additionally, PDF files can be easily annotated, bookmarked, and searched for specific terms, making them highly practical for studying or referencing. When it comes to accessing Isuzu 6hh1 Engine Repair Workshop Manual books and manuals, several platforms offer an extensive collection of resources. One such platform is Project Gutenberg, a nonprofit organization that provides over 60,000 free eBooks. These books are primarily in the public domain, meaning they can be freely distributed and downloaded. Project Gutenberg offers a wide range of classic literature, making it an excellent resource for literature enthusiasts. Another popular platform for Isuzu 6hh1 Engine Repair Workshop Manual books and manuals is Open Library. Open Library is an initiative of the Internet Archive, a

non-profit organization dedicated to digitizing cultural artifacts and making them accessible to the public. Open Library hosts millions of books, including both public domain works and contemporary titles. It also allows users to borrow digital copies of certain books for a limited period, similar to a library lending system. Additionally, many universities and educational institutions have their own digital libraries that provide free access to PDF books and manuals. These libraries often offer academic texts, research papers, and technical manuals, making them invaluable resources for students and researchers. Some notable examples include MIT OpenCourseWare, which offers free access to course materials from the Massachusetts Institute of Technology, and the Digital Public Library of America, which provides a vast collection of digitized books and historical documents. In conclusion, Isuzu 6hh1 Engine Repair Workshop Manual books and manuals for download have transformed the way we access information. They provide a cost-effective and convenient means of acquiring knowledge, offering the ability to access a vast library of resources at our fingertips. With platforms like Project Gutenberg, Open Library, and various digital libraries offered by educational institutions, we have access to an ever-expanding collection of books and manuals. Whether for educational, professional, or personal purposes, these digital resources serve as valuable tools for continuous learning and self-improvement. So why not take advantage of the vast world of Isuzu 6hh1 Engine Repair Workshop Manual books and manuals for download and embark on your journey of knowledge?

FAQs About Isuzu 6hh1 Engine Repair Workshop Manual Books

1. Where can I buy Isuzu 6hh1 Engine Repair Workshop Manual books? Bookstores: Physical bookstores like Barnes & Noble, Waterstones, and independent local stores. Online Retailers: Amazon, Book Depository, and various online bookstores offer a wide range of books in physical and digital formats.
2. What are the different book formats available? Hardcover: Sturdy and durable, usually more expensive. Paperback: Cheaper, lighter, and more portable than hardcovers. E-books: Digital books available for e-readers like Kindle or software like Apple Books, Kindle, and Google Play Books.
3. How do I choose a Isuzu 6hh1 Engine Repair Workshop Manual book to read? Genres: Consider the genre you enjoy (fiction, non-fiction, mystery, sci-fi, etc.). Recommendations: Ask friends, join book clubs, or explore online reviews and recommendations. Author: If you like a particular author, you might enjoy more of their work.
4. How do I take care of Isuzu 6hh1 Engine Repair Workshop Manual books? Storage: Keep them away from direct sunlight and in a dry environment. Handling: Avoid folding pages, use bookmarks, and handle them with clean hands. Cleaning: Gently dust the covers and pages occasionally.

5. Can I borrow books without buying them? Public Libraries: Local libraries offer a wide range of books for borrowing. Book Swaps: Community book exchanges or online platforms where people exchange books.
6. How can I track my reading progress or manage my book collection? Book Tracking Apps: Goodreads, LibraryThing, and Book Catalogue are popular apps for tracking your reading progress and managing book collections. Spreadsheets: You can create your own spreadsheet to track books read, ratings, and other details.
7. What are Isuzu 6hh1 Engine Repair Workshop Manual audiobooks, and where can I find them? Audiobooks: Audio recordings of books, perfect for listening while commuting or multitasking. Platforms: Audible, LibriVox, and Google Play Books offer a wide selection of audiobooks.
8. How do I support authors or the book industry? Buy Books: Purchase books from authors or independent bookstores. Reviews: Leave reviews on platforms like Goodreads or Amazon. Promotion: Share your favorite books on social media or recommend them to friends.
9. Are there book clubs or reading communities I can join? Local Clubs: Check for local book clubs in libraries or community centers. Online Communities: Platforms like Goodreads have virtual book clubs and discussion groups.
10. Can I read Isuzu 6hh1 Engine Repair Workshop Manual books for free? Public Domain Books: Many classic books are available for free as they're in the public domain. Free E-books: Some websites offer free e-books legally, like Project Gutenberg or Open Library.

Find Isuzu 6hh1 Engine Repair Workshop Manual :

literacy assessment and intervention for classroom teachers

living environment regents study guide

[living ice understanding glaciers and glaciation](#)

[living with art 10th edition chapter summaries 636693](#)

[listful thinking using lists to be more productive successful and less stressed](#)

little critter phonics fun my first i can read

literature guide phyllis reynolds naylor

[livre de maths 4eme triangle hatier en ligne](#)

living my life penguin classics

livre toutes rponses sauf une

[living in the miraculous how gods love is expressed through the supernatural](#)

literary remains death trauma and lu xuns refusal to mourn

little house on the prairie classic mammoth

living and nursing in america the way it is and was

literatur aus dem dunkeln biografiepaten ebook

Isuzu 6hh1 Engine Repair Workshop Manual :

flyers 1 test 1 latest update youtube - Apr 29 2022

web sep 1 2016 cambridge flyers flyers 1 sách học sinh flyers 1 cd flyers 1 sách Đáp Án flyers 1 flyers 2 sách học sinh flyers 2 cd flyers 2 sách Đáp

flyers 1 2018 answer key 123docz net - Dec 26 2021

web answer booklet examination papers from university of cambridge esol examinations english for speakers of other languages cambridge university press

cambridge university press assessment young learners - Jan 27 2022

web flyers 1 answer bookklet basic english grammar book 1 answer key 1 2 the nature of science answer key chapter 2 the chemistry of life answer key section review 2 1 pet

flyers 1 Đáp Án cô chung anh văn - Mar 29 2022

web the cambridge young learners english tests offer an elementary level testing system for learners of english between the ages of 7 and 12 the tests include 3 key levels of

cambridge flyers 1 - May 11 2023

web 978 0 521 69345 5 cambridge young learners english tests cambridge flyers 1 answer booklet cambridge esol frontmatter more information cambridge

young learners cambridge english - Jan 07 2023

web flyers listening listening marking key part 1 5 marks lines should be drawn between 1 william and pirate dancing answer a double slash is placed between acceptable

flyers writing skills answer key cambridge university press - Sep 03 2022

web cambridge english qualifications a2 flyers worksheets answer key worksheet 1 school worksheet 2 work may might might may

a2 flyers cambridge english - Oct 24 2021

web test 1 answers test 2 answers test 3 answers combined starters movers and flyers thematic 4 6 12 18 vocabulary list 24 test 1 answers listening part 1 5 marks lines

[english tests cambridge flyers 4 cambridge university press](#) - Sep 22 2021

[english tests cambridge flyers 6 cambridge university press](#) - Nov 24 2021

web lista de palabras y libro ilustrado de palabras puedes utilizar la lista de palabras de a2 flyers para ayudar a los niños o niñas a mejorar su inglés y aprender nuevas palabras

flyers 1 authentic examination papers answer booklet sciarium - Mar 09 2023

web apr 16 2018 this answer booklet accompanies cambridge english flyers 1 student s book and audio cd it contains answers for all three tests the tapescripts and examples

tests flyers 1 key pdf pdf scribd - Jul 13 2023

web tests flyers 1 key pdf free download as pdf file pdf or read online for free

a2 flyers cambridge english - Dec 06 2022

web find a centre a2 flyers is the third of three cambridge english qualifications designed for young learners these tests introduce children to everyday written and spoken english

cambridge english tests flyers 1 answer booklet sciarium - Apr 10 2023

web jun 10 2018 details cambridge english tests flyers 1 student s book pdf category yle young learners english tests flyers 2nd edition cambridge university

cambridge flyers 2018 authentic exam paper 1 test 1 answer key - Oct 04 2022

web possible answers there are two women called lucy and alice who are sitting on a blanket we can see the sun in the sky above the buildings there s a clock on the wall and the

a2 flyers cambridge university press assessment - Jul 01 2022

web 1 on monday she wants to her grandparents and find out how they are 2 on thursday the family will see on tv they like those kinds of programmes 3 jo has a pet dog and

flyers 1 authentic examination papers answer booklet pdf - Jun 12 2023

web the answer booklet accompanies cambridge english flyers 1 student s book and audio cd it contains answers for all three tests the audioscripts and examples of the type of

[Đáp Án cambridge english a2 flyers 1 siêu mọt sách](#) - Aug 14 2023

web may 29 2022 Đáp Án cambridge english a2 flyers 1 authentic examination papers 2018 answer booklet posted on tháng sáu 19 2019 tháng năm 29 2022 by admin

[Сдай английский на отлично esl cafe](#) - Feb 25 2022

web 9781316629406 audio kb trb 1 be classroom audio kid s box updated british english 2nd edition level 1 teacher s

resource book with online audio audio 67mb sign in

cambridge english qualifications a2 flyers worksheets answer key - Aug 02 2022

web a2 flyers practise saying the sentences then choose your favourite sentence about sky and say it to your classmates write then say your answers to sky s questions

a2 flyers cambridge university press assessment - May 31 2022

web feb 23 2021 cambridge flyers 1 test 1 a2 flyers formerly known as cambridge english flyers yle flyers is one of our cambridge english qualifications this is the

a2 flyers cambridge english - Nov 05 2022

web cambridge flyers 2018 authentic exam paper 1 test 1 answer key free download as pdf file pdf or view presentation slides online

young learners british council - Feb 08 2023

web flyers listening listening marking key part 1 5 marks lines should be drawn between answer a double slash is placed between acceptable alternative complete answers

pizzazz pre algebra pdf yumpu - Nov 25 2021

web mar 24 2013 3 objectives two lists of objectives a summary list and a complete list expressed in terms br of learner behaviors and the specific puzzles that provide

algebra with pizzazz creative publications answers - Feb 26 2022

web posted saturday 23rd of dec 20 45 i have a couple of problems based on algebra with pizzazz creative publications answers i have tried a lot to solve them myself but in

objective 3 o creative publications answers - Jan 08 2023

web several preferred authors download the objective 3 o creative publications answers join that we have the resources for here and check out the link you could

objective 3 o creative publications answers - Mar 10 2023

web in harmful downloads read the objective 3 o creative publications answers join that we have the money for here and check out the link we settle for you this correct as expertly

3 sinif türkçe Özgün yayinlari Çalışma kitabi cevapları - Jun 01 2022

web dec 4 2014 3 sınıf türkçe Özgün yayınları Çalışma kitabı cevapları yanlış ise yorum kısmında kendi cevabınızı bize iletebilirsiniz 3 sınıf türkçe Özgün yayınları Çalışma

creative publications manipulatives mcgraw hill - Sep 04 2022

web grades prek 12 look to creative publications for the highest quality mathematics manipulatives we have manipulatives

for teaching geometry fractions place value

objective 3 o creative publications answers 2023 - May 12 2023

web aug 10 2023 objective 3 o creative publications answers against creative writing jul 29 2022 the rise of creative writing has been accompanied from the start by two

objective 3 o creative publications answers stag butterfield - Dec 07 2022

web objective 3 o creative publications answers as you such as we pay for objective 3 o creative publications answers and multiple books selections from fictions to scientific

to add polynomials o eke co x co 01 algebra with pizzazz - Oct 05 2022

web objective i d to subtract polynomials algebra with pizzazz o creative publications created date 3 19 2020 11 17 14 am creative publications algebra with pizzazz answers factoring - Dec 27 2021

web creative publications algebra with pizzazz answers here are some phrases that our users typed in today to reach our math help pages how is this helpful identify the

3 sınıf türkçe bol bol etkinlik kitabı - Mar 30 2022

web 3 sınıf türkçe bol bol etkinlik testler Ünİte deĞerlendirme sinavi 1 test 1 sayfa 37 cevap anahtarı Ünİte deĞerlendirme sinavi 2 test 2 sayfa 71

objective 3 o creative publications answers - Sep 23 2021

web objective 3 o creative publications answers visa questions and answers o 1 publications knowledge economy enterweb dvd faq dvd demystified adp 3 90

3 sınıf türkçe kitabı cevapları meb yayınları 2020 tüm temalar - Jan 28 2022

web 3 sınıf türkçe kitabı tema sonu değerlendirme cevapları 1 tema değerlendirme cevapları 2 tema değerlendirme cevapları 3 tema değerlendirme cevapları 4 tema

algebra with pizzazz answer key 2023 free access - Jul 02 2022

web algebra with pizzazz answer key 2023 free access looking for algebra with pizzaz answer key for every page 1 232 then you are at the right place feel free to

objective 3 o creative publications answers housing gov - Nov 06 2022

web objective 3 o creative publications answers tackling wicked problems a public policy perspective apsc international plant nutrition institute ipni publications

solved 44 algebra with pizzazzi o creative publications - Jul 14 2023

web all steps final answer step 1 3 1 the second of two number is 6 times the first their sum is 66 find the number solution form th view the full answer step 2 3 step 3 3 final

objective 3 o creative publications answers network eve gd - Apr 11 2023

web objective 3 o creative publications answers may 5th 2018 abortion questions and answers by john cardinal o connor archbishop of new york

to co 0 00 to v ooe objective 3 g to simplify square roots - Aug 15 2023

web objective 3 g to simplify square roots with variables in the radicand algebra with pizzazz 207 o creative publications assuming that alf variables represent

km 654e 20160223161814 mrs schumann s website - Aug 03 2022

web simplify each expression below and find your answer in the set of answers to the right of that exercise write the letter of your answer in the box that contains the number of that

objective 3 o creative publications answers pdf copy - Feb 09 2023

web objective 3 o creative publications answers pdf the enigmatic realm of objective 3 o creative publications answers pdf unleashing the language is inner magic in a fast

creative publications algebra with pizzazz answers solve - Jun 13 2023

web i remember i got a very bad grade when i took the exam on creative publications algebra with pizzazz answers now i don t have this issue anymore i can solve anything quite

3 sınıf türkçe Çalışma kitabı cevapları meb yayınları - Apr 30 2022

web pek değer verdiğimiz siz kıymetlilerimiz öğrencilerimiz 3 sınıf meb yayınları türkçe Çalışma kitabı cevapları kısmına girerek her zaman olduğu gibi her türlü materyale bulmacaya

3 tema okuma kültürü tema sonu değerlendirme cevapları - Oct 25 2021

web sınıf türkçe ders kitabı meb yayınları 3 tema okuma kültürü 100 101 3 tema okuma kültürü değerlendirme Çalışmaları soruları ve cevapları ile ilgili aşağıda bulunan

noragami 19 cilt adaçitoka fiyat satın al d r - Oct 10 2023

web noragami 19 cilt kitap açıklaması bişamon ağır yaralanmış yato ve yukine cennet tarafından yakalanmıştır tenjin son bir umutla rehinli yargılama talebinde bulunur eğer

noragami 19 cilt adaçitoka İlknokta - Nov 30 2022

web noragami 19 cilt bişamon ağır yaralanmış yato ve yukine cennet tarafından yakalanmıştır tenjin son bir umutla rehinli yargılama talebinde bulunur eğer plan

☐☐☐☐ **19 noragami stray god 19 by adachitoka - Jan 01 2023**

web cilt 9786258237146 bengisu molyer noragami 19 cilt bişamon ağır yaralanmış yato ve yukine cennet tarafından yakalanmıştır tenjin son bir umutla rehinli yargılama talebinde

[noragami wikipedia](#) - Aug 28 2022

web en uygun noragami 19 gerekli Şeyler ürün ve modelleri markası ve gerekli Şeyler adaÇitoka 1 baskı 196 sayfa 2022 özellikleri 9786258237146 en ucuz

[watch noragami streaming online hulu free trial](#) - May 25 2022

web isportfoy com tr noragami 1 19 manga 19 cilt set ada Çitoka en iyi özellikleri ve gerçek kullanıcı yorumları en ucuz fiyatlarla n11 com da kampanyalı ve indirimli fiyatlarla

[gerekli Şeyler yayıncılık noragami 19 cilt adaçitoka trendyol](#) - Feb 02 2023

web 1 395 ratings99 reviews trial by pledge with bishamon badly injured and yato and yukiné arrested by the heavens tenjin has invoked their very last hope a trial by

[noragami stray god 19](#) - Oct 18 2021

[noragami 19 adachitoka amazon com tr kitap](#) - Jun 06 2023

web noragami 19 adachitoka amazon com tr kitap Çerez tercihlerinizi seçin Çerez bildirimimizde ayrıntılı şekilde açıklandığı üzere alışveriş yapmanızı sağlamak alışveriş

[noragami 19 cilt kağıt kapak 23 mart 2023 amazon com tr](#) - Jul 07 2023

web noragami 19 cilt kağıt kapak 23 mart 2023 adaçitoka eser sahibi bengisu molyer Çevirmen tüm biçimleri ve sürümleri görün ciltsiz bişamon ağır yaralanmış yato ve

noragami 19 cilt adaçitoka 9786258237146 arkabahce com tr - Mar 03 2023

web gerekli Şeyler yayıncılık noragami 19 cilt adaçitoka 9786258237146 yorumlarını inceleyin trendyol a özel indirimli fiyata satın alın

[başiboş tanrı noragami cilt 19 gerekli Şeyler yayıncılık](#) - Jun 25 2022

web noragami yato may be a minor god but he s got a plan to make it big unfortunately things just don t seem to be going his way he doesn t have a single shrine dedicated to him

[noragami 19 cilt adaçitoka](#) - Oct 30 2022

web apr 1 2023 format kitap barkod 9786258237146 yayın tarihi 2023 04 01 baskı sayısı 1 baskı sayfa sayısı 192 boyut 11 6 x 17 2

noragami - Jan 21 2022

web nov 5 2023 the december issue of kodansha s monthly shonen magazine announced on monday that the manga duo adachitoka s noragami stray god manga will end in

[noragami 1 19 manga 19 cilt set ada Çitoka](#) - Apr 23 2022

web noragami 19 cilt gerekli Şeyler yayıncılık adaçitoka bişamon ağır yaralanmış yato ve yukine cennet tarafından yakalanmıştır tenjin son bir umutla rehinli y

noragami 19 gerekli Şeyler 9786258237146 kitapsan - Jul 27 2022

web başıboş tanrı noragami cilt 19 gerekli Şeyler yayıncılık adaçitoka 9786258237146

gerekli Şeyler - Feb 19 2022

web noragami 8 83 10 Üzerinden oylamaya 5233 kişi katıldı bu diyar ve diğer diyar arasındaki sınırda 8 milyon tanrı tanrılara hizmet eden ölü ruh ve yardımcı diğer ruhlar

noragami stray god 19 adachitoka amazon com tr kitap - May 05 2023

web noragami stray god 19 kağıt kapak 18 ekim 2018 eser sahibi 5 yıldız üzerinden 4 9 tüm biçimleri ve sürümleri görün yato is a homeless god he doesn t even have a

noragami 19 cilt adaçitoka 9786258237146 kitap - Sep 28 2022

web noragami stray god □□□□ noragami is a japanese manga series written and illustrated by the manga artist duo adachitoka it has been serialized in kodansha s

noragami 19 cilt - Mar 23 2022

web noragami stray god 19 330 00 tl sepete ekle kodansha comics noragami stray god 20 330 00 tl sepete ekle 25 gerekli Şeyler noragami 17 cilt 63 00 tl 84 00 tl

noragami 19 cilt gerekli Şeyler yayıncılık 9786258237146 - Aug 08 2023

web cilt gerekli Şeyler yayıncılık bişamon ağır yaralanmış yato ve yukine cennet tarafından yakalanmıştır tenjin son bir umutla rehinli yargılama talebinde bulunur eğer plan işe

noragami 19 pdf indir pdf kitap indir - Nov 18 2021

web barış mah akdeniz cd albayrak piramit konutları a 2 blok no 7 dükkan 1 34520 beylikdüzü

[noragami 19 cilt bkmkitap](#) - Sep 09 2023

web noragami 19 cilt en uygun fiyat hızlı kargo ve kapıda ödeme seçenekleriyle bkmkitap com da noragami 19 cilt avantajlı fiyatlarıyla hemen satın almak için tıklayın

adachitoka s noragami manga ends serialization on january 6 - Dec 20 2021

web strong noragami 19 isimli kitap 192 sayfadan oluşmaktadır adaçitoka tarafından kaleme alınmıştır gerekli Şeyler tarafından 29 03 2023 tarihinde yayımlanmıştır strong

noragami 19 cilt - Apr 04 2023

web noragami 19 cilt genel gerekli Şeyler bişamon ağır yaralanmış yato ve yukine cennet tarafından yakalanmıştır tenjin son bir umutla rehinli yargılama talebinde bulunur eğer

