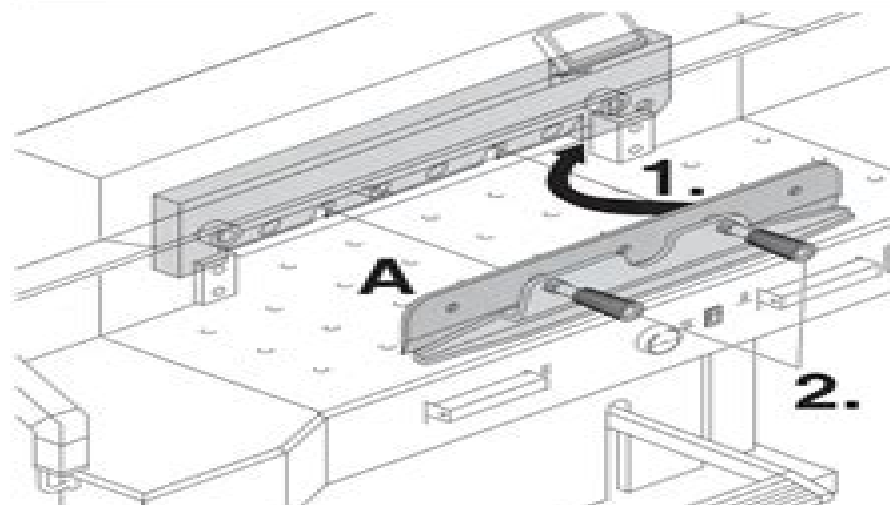
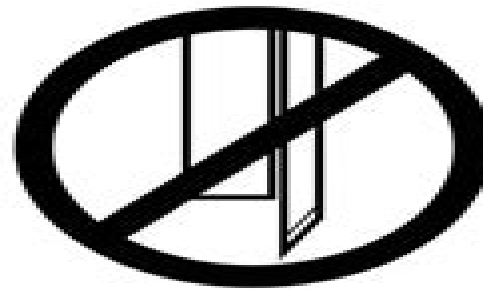


Take the exchange blade carefully out of the blade box and screw it to the blade changing tool (A)

- Make sure there is a space of 10 mm or 0.39 inches! (B).
- Blade must be covered! (C).

⚠ Danger! Risk of injury!



Place the blade to be exchanged with the blade changing tool (A) mounted (1.), into the blade carrier and push it up to the top and screw it into place with the grips (2.).

Guillotine Manuals

R Pring



Guillotine Manuals:

Thank you unquestionably much for downloading **Guillotine Manuals**. Most likely you have knowledge that, people have seen numerous times for their favorite books like this Guillotine Manuals, but stop in the works in harmful downloads.

Rather than enjoying a good ebook later a mug of coffee in the afternoon, on the other hand they juggled bearing in mind some harmful virus inside their computer. **Guillotine Manuals** is easy to use in our digital library an online entrance to it is set as public as a result you can download it instantly. Our digital library saves in multiple countries, allowing you to acquire the most less latency times to download any of our books taking into consideration this one. Merely said, the Guillotine Manuals is universally compatible gone any devices to read.

http://www.armchairempire.com/public/detail/Documents/ktm_990_lc8_service_manual.pdf

Table of Contents Guillotine Manuals

1. Understanding the eBook Guillotine Manuals
 - The Rise of Digital Reading Guillotine Manuals
 - Advantages of eBooks Over Traditional Books
2. Identifying Guillotine Manuals
 - Exploring Different Genres
 - Considering Fiction vs. Non-Fiction
 - Determining Your Reading Goals
3. Choosing the Right eBook Platform
 - Popular eBook Platforms
 - Features to Look for in an Guillotine Manuals
 - User-Friendly Interface
4. Exploring eBook Recommendations from Guillotine Manuals
 - Personalized Recommendations
 - Guillotine Manuals User Reviews and Ratings
 - Guillotine Manuals and Bestseller Lists

5. Accessing Guillotine Manuals Free and Paid eBooks
 - Guillotine Manuals Public Domain eBooks
 - Guillotine Manuals eBook Subscription Services
 - Guillotine Manuals Budget-Friendly Options
6. Navigating Guillotine Manuals eBook Formats
 - ePub, PDF, MOBI, and More
 - Guillotine Manuals Compatibility with Devices
 - Guillotine Manuals Enhanced eBook Features
7. Enhancing Your Reading Experience
 - Adjustable Fonts and Text Sizes of Guillotine Manuals
 - Highlighting and Note-Taking Guillotine Manuals
 - Interactive Elements Guillotine Manuals
8. Staying Engaged with Guillotine Manuals
 - Joining Online Reading Communities
 - Participating in Virtual Book Clubs
 - Following Authors and Publishers Guillotine Manuals
9. Balancing eBooks and Physical Books Guillotine Manuals
 - Benefits of a Digital Library
 - Creating a Diverse Reading Collection Guillotine Manuals
10. Overcoming Reading Challenges
 - Dealing with Digital Eye Strain
 - Minimizing Distractions
 - Managing Screen Time
11. Cultivating a Reading Routine Guillotine Manuals
 - Setting Reading Goals Guillotine Manuals
 - Carving Out Dedicated Reading Time
12. Sourcing Reliable Information of Guillotine Manuals
 - Fact-Checking eBook Content of Guillotine Manuals
 - Distinguishing Credible Sources
13. Promoting Lifelong Learning

- Utilizing eBooks for Skill Development
 - Exploring Educational eBooks
14. Embracing eBook Trends
- Integration of Multimedia Elements
 - Interactive and Gamified eBooks

Guillotine Manuals Introduction

Free PDF Books and Manuals for Download: Unlocking Knowledge at Your Fingertips In today's fast-paced digital age, obtaining valuable knowledge has become easier than ever. Thanks to the internet, a vast array of books and manuals are now available for free download in PDF format. Whether you are a student, professional, or simply an avid reader, this treasure trove of downloadable resources offers a wealth of information, conveniently accessible anytime, anywhere. The advent of online libraries and platforms dedicated to sharing knowledge has revolutionized the way we consume information. No longer confined to physical libraries or bookstores, readers can now access an extensive collection of digital books and manuals with just a few clicks. These resources, available in PDF, Microsoft Word, and PowerPoint formats, cater to a wide range of interests, including literature, technology, science, history, and much more. One notable platform where you can explore and download free Guillotine Manuals PDF books and manuals is the internet's largest free library. Hosted online, this catalog compiles a vast assortment of documents, making it a veritable goldmine of knowledge. With its easy-to-use website interface and customizable PDF generator, this platform offers a user-friendly experience, allowing individuals to effortlessly navigate and access the information they seek. The availability of free PDF books and manuals on this platform demonstrates its commitment to democratizing education and empowering individuals with the tools needed to succeed in their chosen fields. It allows anyone, regardless of their background or financial limitations, to expand their horizons and gain insights from experts in various disciplines. One of the most significant advantages of downloading PDF books and manuals lies in their portability. Unlike physical copies, digital books can be stored and carried on a single device, such as a tablet or smartphone, saving valuable space and weight. This convenience makes it possible for readers to have their entire library at their fingertips, whether they are commuting, traveling, or simply enjoying a lazy afternoon at home. Additionally, digital files are easily searchable, enabling readers to locate specific information within seconds. With a few keystrokes, users can search for keywords, topics, or phrases, making research and finding relevant information a breeze. This efficiency saves time and effort, streamlining the learning process and allowing individuals to focus on extracting the information they need. Furthermore, the availability of free PDF books and manuals fosters a culture of continuous learning. By removing financial barriers, more people can access educational resources and pursue lifelong learning, contributing to personal

growth and professional development. This democratization of knowledge promotes intellectual curiosity and empowers individuals to become lifelong learners, promoting progress and innovation in various fields. It is worth noting that while accessing free Guillotine Manuals PDF books and manuals is convenient and cost-effective, it is vital to respect copyright laws and intellectual property rights. Platforms offering free downloads often operate within legal boundaries, ensuring that the materials they provide are either in the public domain or authorized for distribution. By adhering to copyright laws, users can enjoy the benefits of free access to knowledge while supporting the authors and publishers who make these resources available. In conclusion, the availability of Guillotine Manuals free PDF books and manuals for download has revolutionized the way we access and consume knowledge. With just a few clicks, individuals can explore a vast collection of resources across different disciplines, all free of charge. This accessibility empowers individuals to become lifelong learners, contributing to personal growth, professional development, and the advancement of society as a whole. So why not unlock a world of knowledge today? Start exploring the vast sea of free PDF books and manuals waiting to be discovered right at your fingertips.

FAQs About Guillotine Manuals Books

How do I know which eBook platform is the best for me? Finding the best eBook platform depends on your reading preferences and device compatibility. Research different platforms, read user reviews, and explore their features before making a choice. Are free eBooks of good quality? Yes, many reputable platforms offer high-quality free eBooks, including classics and public domain works. However, make sure to verify the source to ensure the eBook credibility. Can I read eBooks without an eReader? Absolutely! Most eBook platforms offer web-based readers or mobile apps that allow you to read eBooks on your computer, tablet, or smartphone. How do I avoid digital eye strain while reading eBooks? To prevent digital eye strain, take regular breaks, adjust the font size and background color, and ensure proper lighting while reading eBooks. What the advantage of interactive eBooks? Interactive eBooks incorporate multimedia elements, quizzes, and activities, enhancing the reader engagement and providing a more immersive learning experience. Guillotine Manuals is one of the best book in our library for free trial. We provide copy of Guillotine Manuals in digital format, so the resources that you find are reliable. There are also many Ebooks of related with Guillotine Manuals. Where to download Guillotine Manuals online for free? Are you looking for Guillotine Manuals PDF? This is definitely going to save you time and cash in something you should think about.

Find Guillotine Manuals :

ktm 990 lc8 service manual

korrespondenz englisch uuml dummies pocketbuch ebook

krays guilty your honour book

kritzeln f r kinder spudtc publishing

kreative kleinstkinder spielerisches gestalten tagespflege

ktm 350 exc f owners manual

koraalvissen en lagere dieren van het tropische rif naar het aquarium

ktm 300 exc repair manual 2015

krupp kmk4070 manual

kronach 25 000 atk b10

konica minolta di350 service repair manual

kpmg interview questions and answers

konica minolta bizhub c280 service manual

korean entrepreneurship the foundation of the korean economy

konica minolta 7450 technical manual

Guillotine Manuals :

getting started with centos geeksforgeeks - Jun 14 2023

web dec 4 2022 step 1 first we need to download centos s disk image iso file from their official website centos org step 2 now click on the available architectures according to your system step 3 choose any mirror to download the iso file now once the downloading is over we can start the disk image installation

centos riptutorial com - Nov 26 2021

web chapter 1 getting started with centos remarks centos versions download here the centos linux distribution is a stable predictable manageable and reproducible platform derived from the sources of red hat enterprise linux rhel

centos tutorial getting started with centos - Aug 16 2023

web centos 7 is fully based on redhat the detail documentation examples and system administration guides are located here centos 7 full documention installation or setup detailed instructions on getting centos 7 installation and basic set up for starting on download latest centos iso centos org download

getting started centos docs site - Oct 06 2022

web getting started you can install centos with an installation utility called anaconda most users can simply follow the procedure outlined in interactive installation to install centos using the graphical interface in anaconda

centos 7 install tutorial linux beginners guide benisnous - Dec 28 2021

web sep 10 2020 centos is based off red hat enterprise linux and is great for use in it because you can deploy and manage your servers more easily without the worry of massive changes between updates because they occur less frequently and remain stable for longer

centos tutorials step by step centos rhel linux tutorials - Feb 27 2022

web may 5 2020 our step by step centos tutorials are easy to understand and are backed up by true linux professionals don't waste time researching we have the most popular centos tutorials with real life examples tips and

linux for beginners introduction to linux os and command line - Jun 02 2022

web what you learn in linux for beginners applies to any linux environment including centos ubuntu debian kali linux linux mint redhat fedora opensuse slackware and more when you enroll you get lifetime access to the course your course never expires you can study at your own pace and refer back to the lessons whenever you want

linux centos 8 tutorials for beginners youtube - Dec 08 2022

web aug 21 2020 share your videos with friends family and the world

beginner s guide for linux start learning linux in - Mar 31 2022

web may 2 2023 welcome to the exclusive edition of beginner s guide for linux by tecmint this course module is specially designed and compiled for those beginners who want to make their way into the linux learning process and do the best in

[how to get started with centos freecodecamp org](#) - Oct 18 2023

web jan 5 2019 after the system starts click the button which is located next to the sign in button select gnome on the list the default is gnome classic click sign in and log in with gnome shell

centos tutorial linux concept - May 13 2023

web mar 12 2022 in this tutorial we cover the following key aspects of centos introduction to centos gain a solid understanding of centos its origins and its relationship with rhel learn about the centos community and the principles that guide the development and maintenance of the distribution

centos 7 tutorial for beginners youtube - Jan 09 2023

web centos 7 tutorial for beginners

centos tutorial for beginners full course youtube - Mar 11 2023

web centos tutorial for beginners in this centos tutorial for beginners we ll be covering the basics of centos from installation

to configuration we ll also

centos 7 a complete guide 2 in 1 udemy - Apr 12 2023

web install configure and set up the system for centos 7 get acquainted with the troubleshooting techniques in rescue mode perform various tasks with the yum command format maintain and extend the capacity of the file system configure a mail server with postfix securely monitor a remote server with zabbix

[centos terminal tutorial for beginners tutorialforlinux.com](#) - Jul 03 2022

web nov 14 2017 the tutorial presents you a step by step centos terminal tutorial for beginners and with this centos command line tutorial for beginners you can get easily initiated to make the first steps on the linux shell but this is just a quick dirty introduction to the command line basics by example for the bash shell

centos at howtoforge com linux tutorials - Jul 15 2023

web sep 13 2023 howtoforge offers over four hundred content rich tutorials that explain the various possible centos configurations and uses in great detail whether you are a new user that just installed centos for the first time or an experienced professional that works with enterprise class systems for years exploring our tutorials database will

learn centos part 1 introduction and installation youtube - Sep 17 2023

web feb 27 2020 welcome to my new centos series in this series i ll cover everything you need to know to get up and running with centos 8 in this particular video i ll introduce you to the series and walk you

linux admin basic centos linux commands online tutorials - Sep 05 2022

web before learning the tools of a centos linux administrator it is important to note the philosophy behind the linux administration command line linux was designed based on the unix philosophy of small precise tools chained together simplifying larger tasks

apache on centos linux for beginners linux com - Jan 29 2022

web october 27 2016 4676 we learned the basics of running the apache http server on the debian ubuntu etc family of linux distributions in apache on ubuntu linux for beginners and apache on ubuntu linux for beginners part 2 now we re going to tackle centos fedora andtherest

[linux administration linux command line for beginners udemy](#) - Nov 07 2022

web welcome to the linux administration linux command line for beginners course this linux newbie course covers linux essentials you will learn linux administration basics linux command line basics in this course you will learn what is linux virtualbox installation linux installation linux essentials linux file system hierarchy linux

centos 7 install tutorial linux beginners guide youtube - Aug 04 2022

web jul 24 2019 a tutorial for how to install centos 7 for beginners easily run through the steps required to successfully

install centos on a system of your choice in ord

the complete beginner s guide to linux linux com - May 01 2022

web aug 13 2014 for most users this will simply be a splash screen that pops up and eventually goes away to boot into the operating system the kernel this is the one piece of the whole that is actually called linux the kernel is the core of the system and manages the cpu memory and peripheral devices the kernel is the lowest level of the os

what is centos all you need to know about centos linux - Feb 10 2023

web vps jul 26 2023 noviantika g 4min read what is centos a beginner s guide selecting the best linux distro for your vps is important especially for beginners there are many options you can choose from including centos ubuntu debian and fedora each of them has its key features and advantages

medieval literature a very short introduction google books - Aug 11 2023

web sep 1 2015 medieval literature a very short introduction elaine m treharne 3 61 87 ratings18 reviews this very short introduction provides a compelling account of the

medieval literature a very short introduction oxford academic - Oct 13 2023

web sep 24 2015 medieval literature a very short introduction provides a compelling account of the emergence of the earliest literature in britain and ireland including

medieval literature a very short introduction request pdf - May 08 2023

web sep 24 2015 medieval literature a very short introduction elaine treharne 24 september 2015 isbn 9780199668496 160 pages paperback 174x111mm in stock very

medieval literature a very short introduction hive co uk - Feb 22 2022

web very short introductions price 8 99 in this book john marenbon discusses the extraordinary breadth of medieval philosophy as written by christians in greek and

medieval philosophy a very short introduction paperback - Jan 24 2022

web description the story of jewish literature spans the globe as well as the centuries it includes groups as diverse as the marrano poets and memorialists in medieval spain

medieval literature a very short introduction paperback - Oct 01 2022

web looking at literature from medieval britain and ireland including anglo latin and anglo norman poetry prose and drama this very short introduction covers the earliest

medieval literature a very short introduction paperback - Mar 26 2022

web this very short introduction provides a compelling account of the emergence of the earliest literature in britain and ireland including english welsh scottish irish anglo

medieval literature a very short introduction goodreads - Jul 10 2023

web this very short introduction provides a compelling account of the emergence of the earliest literature in britain and ireland including english welsh scottish irish anglo

medieval literature a very short introduction google play - Feb 05 2023

web medieval literature is a broad subject encompassing essentially all written works available in europe and beyond during the middle ages that is the one thousand years from the

medieval literature a very short introduction - Sep 12 2023

web 7 rows medieval literature this very short introduction provides a compelling account of the

medieval literature a very short introduction paperback - Apr 07 2023

web looking at literature from medieval britain and ireland including anglo latin and anglo norman poetry prose and drama this very short introduction covers the earliest

medieval literature a very short introduction very short - Dec 03 2022

web mar 20 2019 medieval literature is defined broadly as any work written in latin or the vernacular between c 476 1500 including philosophy religious treatises legal texts as

medieval literature a very short introduction apple books - Mar 06 2023

web medieval literature a very short introduction ebook written by elaine treharne read this book using google play books app on your pc android ios devices download for

buy medieval literature a very short - Jun 28 2022

web jul 30 2023 she was a very religious woman kind of a hermit the technical term is anchoress introduction to medieval literature old english analysis of a short

medieval literature a very short introduction very short - Jul 30 2022

web looking at literature from medieval britain and ireland including anglo latin and anglo norman poetry prose and drama this very short introduction covers the earliest

medieval literature a very short introduction very - Jun 09 2023

web sep 24 2015 medieval literature a very short introduction provides a compelling account of the emergence of the earliest literature in britain and ireland including

medieval literature a very short introduction very short - Apr 26 2022

web medieval literature a very short introduction treharne on amazon com au free shipping on eligible orders medieval literature a very short introduction

medieval literature wikipedia - Jan 04 2023

web sep 24 2015 medieval literature a very short introduction very short introductions illustrated edition kindle edition by elaine treharne author format

medieval literature a very short introduction - Aug 31 2022

web this very short introduction provides a compelling account of the emergence of the earliest literature in britain and ireland including english welsh scottish irish anglo

medieval literature world history encyclopedia - Nov 02 2022

web dec 1 2015 this very short introduction provides a compelling account of the emergence of the earliest literature in britain and ireland including english welsh

jewish literature a very short introduction paperback ilan - Dec 23 2021

introduction to medieval literature old english middle english - May 28 2022

web medieval literature a very short introduction very short introductions ebook treharne elaine amazon com au kindle store

the albigensian crusade in anglo american historiography - Jul 08 2022

web dec 9 2013 of all the crusades which occurred in the crusade era the albigensian crusade stands as one of the most infamous although the cathar religion and the inquisition have drawn more academic and popular attention

cathars world history encyclopedia - Apr 05 2022

web apr 2 2019 according to scholars bryson and movsesian the albigensian crusade destroyed the tolerant culture of southern france replacing it with the far more rigid vision of the medieval church but did nothing to stamp out catharism itself

albigensian crusade wikipedia - Sep 22 2023

web the albigensian crusade or the cathar crusade french croisade des albigeois 1209 1229 was a military and ideological campaign initiated by pope innocent iii to eliminate catharism in languedoc what is now southern france the crusade was prosecuted primarily by the french crown and promptly took on a political aspect

the albigensian crusade why did the catholics start a civil war - Feb 03 2022

web dec 9 2021 the albigensian crusade was called by pope innocent iii against the cathari gnostic christians also known as the cathars from the first hostilities in 1209 it led to twenty years of war this crusade was much more divisive than the original concept of war against a distant alien enemy

history of the crusades the albigensian crusade wikiversity - Nov 12 2022

web jun 13 2021 the albigensian crusade came to an end but catharism was not wiped out however the church inquisition that followed was successful in rooting out catharism 1 the other winner of the crusade was the french monarchy which

gained a great deal of land under the personal control of the king

albigensian crusade timeline world history encyclopedia - May 06 2022

web albigensian crusade timeline search results 1209 1229 the albigensian crusade against cathars heretics in southern france timeline search search through the entire ancient history timeline specify between which dates you want to search and what keywords you are looking for from to keywords categories

who went on the albigensian crusade oxford academic - Oct 11 2022

web sep 23 2013 issue section article the albigensian crusade 1209 29 was a formative event in european history at the medieval apogee of its power the roman church called for the extirpation of heresy in southern france

albigensian crusade new world encyclopedia - Mar 04 2022

web the albigensian crusade or cathar crusade 1209 1229 was a twenty year military campaign initiated by the roman catholic church to eliminate the heresy of the cathars of languedoc

albigensian crusade wikiwand - Jan 14 2023

web albigensian crusade introduction cathar beliefs and practices

crusades holy wars jerusalem europe britannica - Dec 13 2022

web crusades holy wars jerusalem europe the albigensian crusade took place to remove the catharism heresy from southern france the saying kill them all god will know his own was allegedly made by the papal legate when asked how the crusaders should distinguish the heretics from true christians after they captured beziers the

[crusades definition history map significance legacy](#) - Aug 09 2022

web crusades military expeditions beginning in the late 11th century that were organized by western european christians in response to centuries of muslim wars of expansion the crusades took place from 1095 until the 16th century when the advent of protestantism led to the decline of papal authority

your guide to the cathars and the albigensian crusade - Jun 07 2022

web may 13 2020 who were the cathars and what did they believe find out why the catholic church branded the cathars as heretics and explore the albigensian crusade

albigensian crusade world history encyclopedia - Jun 19 2023

web oct 19 2018 the albigensian crusade aka cathars crusade 1209 1229 ce was the first cru