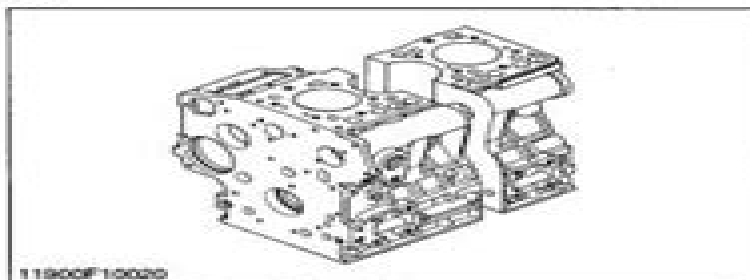


1 ENGINE BODY

[1] CYLINDER BLOCK



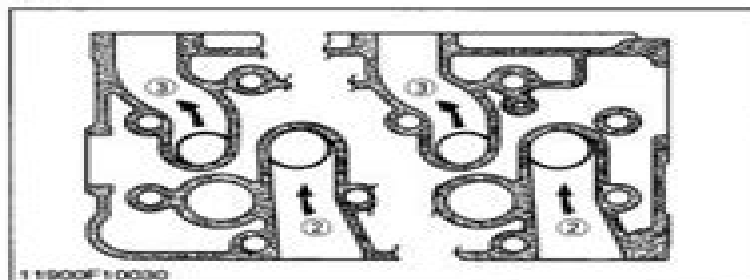
The engine has a high durability tunnel-type cylinder block in which the crank bearing component is a constructed body.

Furthermore, liner less type, allow effective cooling, less distortion, and greater wear-resistance.

The noise level is reduced to a minimum because each cylinder has its own chamber.

11900M10020

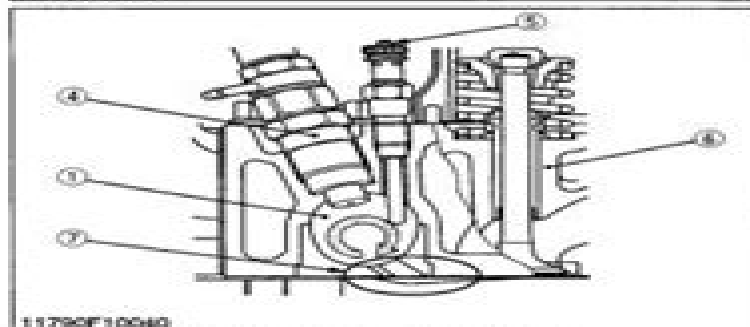
[2] CYLINDER HEAD



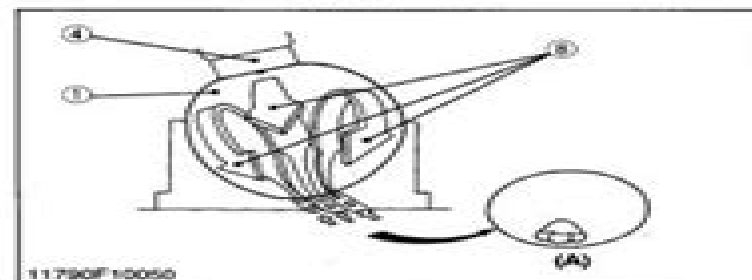
The cross-flow type intake / exhaust ports in this engine have their openings at both sides of the cylinder head. Because overlaps of intake / exhaust ports are smaller than in ports of other types which have openings on one side, the suction air can be protected from being heated and expanded by heated exhaust air. The cool, high density suction air has high volume efficiency and raises the power of the engine. Furthermore, distortion of the cylinder head by heated exhaust gas is reduced because intake ports are arranged alternately.

The combustion chamber is of KUBOTA's exclusive E-TVCS combustion chamber type. Suction air is whirled to be mixed effectively with fuel, prompting combustion and reducing fuel consumption.

In the combustion chamber are installed throttle type injection nozzle and rapid heating sheathed type glow plug. This glow plug assures easier than ever engine starts even at -15°C (5°F).



- | | |
|------------------------|-----------------------------------|
| (1) Combustion Chamber | (7) Depression |
| (2) Intake Port | (8) Compressed Air |
| (3) Exhaust Port | (A) Connect to Combustion Chamber |
| (4) Nozzle Assembly | |
| (5) Glow Plug | |
| (6) Cylinder Head | |



11900M10031

Kubota V1505 E Service Manual

Xiang Xie



Kubota V1505 E Service Manual:

Immerse yourself in heartwarming tales of love and emotion with its touching creation, Experience Love's Journey in **Kubota V1505 E Service Manual** . This emotionally charged ebook, available for download in a PDF format (Download in PDF: *), is a celebration of love in all its forms. Download now and let the warmth of these stories envelop your heart.

http://www.armchairempire.com/results/Resources/Download_PDFS/marantz_pmd660_recorder_manual.pdf

Table of Contents Kubota V1505 E Service Manual

1. Understanding the eBook Kubota V1505 E Service Manual
 - The Rise of Digital Reading Kubota V1505 E Service Manual
 - Advantages of eBooks Over Traditional Books
2. Identifying Kubota V1505 E Service Manual
 - Exploring Different Genres
 - Considering Fiction vs. Non-Fiction
 - Determining Your Reading Goals
3. Choosing the Right eBook Platform
 - Popular eBook Platforms
 - Features to Look for in an Kubota V1505 E Service Manual
 - User-Friendly Interface
4. Exploring eBook Recommendations from Kubota V1505 E Service Manual
 - Personalized Recommendations
 - Kubota V1505 E Service Manual User Reviews and Ratings
 - Kubota V1505 E Service Manual and Bestseller Lists
5. Accessing Kubota V1505 E Service Manual Free and Paid eBooks
 - Kubota V1505 E Service Manual Public Domain eBooks
 - Kubota V1505 E Service Manual eBook Subscription Services
 - Kubota V1505 E Service Manual Budget-Friendly Options
6. Navigating Kubota V1505 E Service Manual eBook Formats

- ePub, PDF, MOBI, and More
 - Kubota V1505 E Service Manual Compatibility with Devices
 - Kubota V1505 E Service Manual Enhanced eBook Features
7. Enhancing Your Reading Experience
 - Adjustable Fonts and Text Sizes of Kubota V1505 E Service Manual
 - Highlighting and Note-Taking Kubota V1505 E Service Manual
 - Interactive Elements Kubota V1505 E Service Manual
 8. Staying Engaged with Kubota V1505 E Service Manual
 - Joining Online Reading Communities
 - Participating in Virtual Book Clubs
 - Following Authors and Publishers Kubota V1505 E Service Manual
 9. Balancing eBooks and Physical Books Kubota V1505 E Service Manual
 - Benefits of a Digital Library
 - Creating a Diverse Reading Collection Kubota V1505 E Service Manual
 10. Overcoming Reading Challenges
 - Dealing with Digital Eye Strain
 - Minimizing Distractions
 - Managing Screen Time
 11. Cultivating a Reading Routine Kubota V1505 E Service Manual
 - Setting Reading Goals Kubota V1505 E Service Manual
 - Carving Out Dedicated Reading Time
 12. Sourcing Reliable Information of Kubota V1505 E Service Manual
 - Fact-Checking eBook Content of Kubota V1505 E Service Manual
 - Distinguishing Credible Sources
 13. Promoting Lifelong Learning
 - Utilizing eBooks for Skill Development
 - Exploring Educational eBooks
 14. Embracing eBook Trends
 - Integration of Multimedia Elements
 - Interactive and Gamified eBooks

Kubota V1505 E Service Manual Introduction

In the digital age, access to information has become easier than ever before. The ability to download Kubota V1505 E Service Manual has revolutionized the way we consume written content. Whether you are a student looking for course material, an avid reader searching for your next favorite book, or a professional seeking research papers, the option to download Kubota V1505 E Service Manual has opened up a world of possibilities. Downloading Kubota V1505 E Service Manual provides numerous advantages over physical copies of books and documents. Firstly, it is incredibly convenient. Gone are the days of carrying around heavy textbooks or bulky folders filled with papers. With the click of a button, you can gain immediate access to valuable resources on any device. This convenience allows for efficient studying, researching, and reading on the go. Moreover, the cost-effective nature of downloading Kubota V1505 E Service Manual has democratized knowledge. Traditional books and academic journals can be expensive, making it difficult for individuals with limited financial resources to access information. By offering free PDF downloads, publishers and authors are enabling a wider audience to benefit from their work. This inclusivity promotes equal opportunities for learning and personal growth. There are numerous websites and platforms where individuals can download Kubota V1505 E Service Manual. These websites range from academic databases offering research papers and journals to online libraries with an expansive collection of books from various genres. Many authors and publishers also upload their work to specific websites, granting readers access to their content without any charge. These platforms not only provide access to existing literature but also serve as an excellent platform for undiscovered authors to share their work with the world. However, it is essential to be cautious while downloading Kubota V1505 E Service Manual. Some websites may offer pirated or illegally obtained copies of copyrighted material. Engaging in such activities not only violates copyright laws but also undermines the efforts of authors, publishers, and researchers. To ensure ethical downloading, it is advisable to utilize reputable websites that prioritize the legal distribution of content. When downloading Kubota V1505 E Service Manual, users should also consider the potential security risks associated with online platforms. Malicious actors may exploit vulnerabilities in unprotected websites to distribute malware or steal personal information. To protect themselves, individuals should ensure their devices have reliable antivirus software installed and validate the legitimacy of the websites they are downloading from. In conclusion, the ability to download Kubota V1505 E Service Manual has transformed the way we access information. With the convenience, cost-effectiveness, and accessibility it offers, free PDF downloads have become a popular choice for students, researchers, and book lovers worldwide. However, it is crucial to engage in ethical downloading practices and prioritize personal security when utilizing online platforms. By doing so, individuals can make the most of the vast array of free PDF resources available and embark on a journey of continuous learning and intellectual growth.

FAQs About Kubota V1505 E Service Manual Books

How do I know which eBook platform is the best for me? Finding the best eBook platform depends on your reading preferences and device compatibility. Research different platforms, read user reviews, and explore their features before making a choice. Are free eBooks of good quality? Yes, many reputable platforms offer high-quality free eBooks, including classics and public domain works. However, make sure to verify the source to ensure the eBook credibility. Can I read eBooks without an eReader? Absolutely! Most eBook platforms offer webbased readers or mobile apps that allow you to read eBooks on your computer, tablet, or smartphone. How do I avoid digital eye strain while reading eBooks? To prevent digital eye strain, take regular breaks, adjust the font size and background color, and ensure proper lighting while reading eBooks. What the advantage of interactive eBooks? Interactive eBooks incorporate multimedia elements, quizzes, and activities, enhancing the reader engagement and providing a more immersive learning experience. Kubota V1505 E Service Manual is one of the best book in our library for free trial. We provide copy of Kubota V1505 E Service Manual in digital format, so the resources that you find are reliable. There are also many Ebooks of related with Kubota V1505 E Service Manual. Where to download Kubota V1505 E Service Manual online for free? Are you looking for Kubota V1505 E Service Manual PDF? This is definitely going to save you time and cash in something you should think about. If you trying to find then search around for online. Without a doubt there are numerous these available and many of them have the freedom. However without doubt you receive whatever you purchase. An alternate way to get ideas is always to check another Kubota V1505 E Service Manual. This method for see exactly what may be included and adopt these ideas to your book. This site will almost certainly help you save time and effort, money and stress. If you are looking for free books then you really should consider finding to assist you try this. Several of Kubota V1505 E Service Manual are for sale to free while some are payable. If you arent sure if the books you would like to download works with for usage along with your computer, it is possible to download free trials. The free guides make it easy for someone to free access online library for download books to your device. You can get free download on free trial for lots of books categories. Our library is the biggest of these that have literally hundreds of thousands of different products categories represented. You will also see that there are specific sites catered to different product types or categories, brands or niches related with Kubota V1505 E Service Manual. So depending on what exactly you are searching, you will be able to choose e books to suit your own need. Need to access completely for Campbell Biology Seventh Edition book? Access Ebook without any digging. And by having access to our ebook online or by storing it on your computer, you have convenient answers with Kubota V1505 E Service Manual To get started finding Kubota V1505 E Service Manual, you are right to find our website which has a comprehensive collection of books online. Our library is the biggest of these that have literally hundreds of thousands of different products represented. You will also see that there are specific sites catered to different categories or niches related with Kubota V1505 E Service Manual So depending on what exactly you are

searching, you will be able to choose ebook to suit your own need. Thank you for reading Kubota V1505 E Service Manual. Maybe you have knowledge that, people have search numerous times for their favorite readings like this Kubota V1505 E Service Manual, but end up in harmful downloads. Rather than reading a good book with a cup of coffee in the afternoon, instead they juggled with some harmful bugs inside their laptop. Kubota V1505 E Service Manual is available in our book collection an online access to it is set as public so you can download it instantly. Our digital library spans in multiple locations, allowing you to get the most less latency time to download any of our books like this one. Merely said, Kubota V1505 E Service Manual is universally compatible with any devices to read.

Find Kubota V1505 E Service Manual :

[marantz pmd660 recorder manual](#)

[manuals for yahama jet ski](#)

[marathi aai mulga pranay katha](#)

[marathi natak script religon](#)

[marijuanathe secret benefits of marijuana weedhempmarijuana](#)

[mapp testing practice 2nd grade](#)

[mariner 30hp outboard repair manual](#)

[maple12 user manual](#)

manuel reparation austin healey

[marantz model 10 owners manual and schematics](#)

[mapping clinical value streams lean tools for healthcare series](#)

[marantz rc8001sr manual](#)

maps civilization maps civilization

[marine biology module 4 study guide answers](#)

marines dodging death

Kubota V1505 E Service Manual :

miss brain s cool math games for kids in grades 1 3 paperback - Feb 11 2023

web sep 25 2019 miss brain s cool math games currently comes in two levels in this first level for grades 1 3 you ll find number sense games including place value addition games subtraction games counting money games multiplication and

division games

miss brain s cool math games for kids in grades 1 3 amazon ca - Nov 08 2022

web dec 13 2016 miss brain s cool math games for kids in grades 1 3 revised edition pearson kelli 9781541121645 books amazon ca

miss brain s cool math games for kids in grades 1 3 amazon - Sep 18 2023

web miss brain s cool math games for kids in grades 1 3 revised edition pearson kelli amazon sg books

miss brain s cool math games for kids in grades 3 5 - May 14 2023

web sep 25 2019 in this completely revised and updated third edition of miss brain s cool math games for kids in grades 1 3 you ll have a whopping 38 addictively fun math games to help your child improve skills and fall in love with math three ways to play choose a math skill that might need a little practice and play one of the games in that

9781694891198 miss brain s cool math games for kids in grades 1 - May 02 2022

web in this completely revised and updated third edition of miss brain s cool math games for kids in grades 1 3 you ll have a whopping 39 addictively fun math games to help your child improve skills and fall in love with math three ways to play choose a math skill that might need a little practice and play one of the games in that chapter

miss brain s cool math games for kids in grades 1 3 paperback - Sep 06 2022

web sep 25 2019 miss brain s cool math games for kids in grades 1 3 78 by kelli pearson add to wishlist kids club eligible miss brain s cool math games for kids in grades 1 3 78 by kelli pearson paperback 9 97 paperback 9 97

miss brain s cool math games for kids in grades 1 3 alibris - Aug 05 2022

web miss brain s cool math games for kids in grades 1 3 revised edition by kelli pearson alibris buy miss brain s cool math games for kids in grades 1 3 revised edition by kelli pearson online at alibris we have new and used copies available in 1 editions starting at 9 36 shop now skip to main content weekend sale 15 off

miss brain s cool math games for kids in grades 1 3 alibris - Apr 01 2022

web in this completely revised and updated third edition of miss brain s cool math games for kids in grades 1 3 you ll have a whopping 39 addictively fun math games to help your child improve skills and fall in love with math three ways all from 12 08 new books from 12 08 used books from 21 49 rare books from 24 31 all copies 3

miss brain s cool math games for kids in grades 1 3 paperback - Mar 12 2023

web in this completely revised and updated third edition of miss brain s cool math games for kids in grades 1 3 you ll have a whopping 39 addictively fun math games to help your child improve skills and fall in love with math three ways to play choose a math skill that might need a little practice and play one of the games in that chapter

miss brain s cool math games for kids in grades 1 3 - Jul 16 2023

web in this completely revised and updated third edition of miss brain s cool math games for kids in grades 1 3 you ll have a whopping 39 addictively fun math games to help your child improve skills and fall in love with math three ways to play choose a math skill that might need a little practice and play one of the games in that chapter

miss brain s cool math games for kids in grades 1 3 google - Oct 07 2022

web the more you play the more you learn and you ll love every minute in this completely revised and updated third edition of miss brain s cool math games for kids in grades 1 3 you ll have a whopping 39 addictively fun math games to help your child improve skills and fall in love with math

miss brain s cool math games for kids in grades 1 3 - Oct 19 2023

web miss brain s cool math games for kids in grades 1 3 paperback 25 september 2019 by kelli pearson author 4 4 118 ratings see all formats and editions paperback s 22 00 1 used from s 46 21 4 new from s 22 00 ditch the drill and fling those flash cards in the recycle bin now there s a better way to learn math

miss brain s cool math games for kids in grades 3 5 - Feb 28 2022

web mar 31 2018 1 write a review paperback revised and expanded 15 00 view all available formats editions ship this item qualifies for free shipping choose expedited shipping at checkout for delivery by friday november 24 instant purchase pick up in store check availability at nearby stores available within 2 business

miss brain s cool math games for kids in grades 1 3 - Jan 10 2023

web miss brain s cool math games for kids in grades 1 3 revised edition pearson kelli amazon com au books

miss brain s cool math games for kids in grades 1 3 - Aug 17 2023

web sep 25 2019 in this completely revised and updated third edition of miss brain s cool math games for kids in grades 1 3 you ll have a whopping 39 addictively fun math games to help your child improve skills and fall in love with math

miss brain s cool math games for kids in grades 1 3 - Dec 09 2022

web maths buy new 12 53 free returns free delivery monday 14 august details or fastest delivery saturday 12 august order within 11 hrs 10 mins details select delivery location in stock quantity add to basket buy now payment secure transaction dispatches from amazon sold by amazon returns returnable within 30 days of receipt

miss brain s cool math games for kids in grades 1 3 abebooks - Jul 04 2022

web miss brain s cool math games helps kids get better at math quickly and painlessly without even realizing they re learning miss brain s cool math games is an ideal choice for your family if your child is doing more buy new learn more about this copy us 101 67 convert currency shipping us 4 25 within u s a

miss brain s cool math games for kids in grades 1 3 amazon - Apr 13 2023

web miss brain s cool math games for kids in grades 1 3 pearson kelli amazon sg books

miss brain s cool math games for kids in grades 1 3 - Jun 15 2023

web dec 13 2016 kelli pearson is on a mission to help 1 million non mathy kids fall in love with math kelli makes math fun through games art and real world explorations her goal is to help kids learn math with joy so they have the confidence to dream boldly and share their gifts with the world

amazon com customer reviews miss brain 39 s cool math games - Jun 03 2022

web miss brain s cool math games for kids in grades 1 3 customer reviews how customer reviews and ratings work britt7 fun practice read more 2 people found this helpful not an easy book to use sign in to filter reviews 128 total ratings 31 with reviews from the united states britt7 fun practice

rpt sains tahun 6 2022 kssr semakan sumber pendidikan - Jul 01 2022

web may 25 2023 rancangan tahunan sains tahun 6 2013 login 1 9 downloaded from uniport edu ng on may 25 2023 by guest rancangan tahunan sains tahun 6 2013

rpt kssr sains tahun 6 2023 2024 gurubesar my - Mar 29 2022

web success adjacent to the declaration as capably as acuteness of this rancangan tahunan sains tahun 6 2013 login can be taken as capably as picked to act cambridge

racangan tahunan sains tahun 6 2013 login full pdf vod - Dec 06 2022

web apr 22 2023 rancangan tahunan sains tahun 6 2013 login 1 14 downloaded from uniport edu ng on april 22 2023 by guest rancangan tahunan sains tahun 6 2013

rpt sains tahun 6 2023 kssr semakan sumber pendidikan - Nov 24 2021

web rancangan tahunan sains tahun 6 2013 login teknika jurnal sains dan teknologi vol 16 1 tahun 2020 entrepreneurship and small business management annual

racangan tahunan sains tahun 6 2013 login copy uniport edu - Aug 02 2022

web rancangan tahunan sains tahun 6 2013 login 5 5 most up to date prep look for medical assistant exam prep isbn 9781506278193 on sale april 5 2022 publisher s

racangan tahunan sains tahun 6 2013 login - Jan 27 2022

web rancangan tahunan sains tahun 6 2013 login school effectiveness and school based management ecosystem change and public health laporan tahunan atlas of canine

telegram contact ekssr - May 11 2023

web rancangan tahunan sains t6 free download as word doc doc pdf file pdf text file txt or view presentation slides online sc tahun 6

racangan tahunan sains tahun 6 2007 sktepus zoom - Nov 05 2022

web rancangan tahunan sains tahun 6 2013 login is available in our digital library an online access to it is set as public so you can get it instantly our books collection hosts in

rancangan tahunan sains tahun 6 2013 login pdf uniport edu - Apr 10 2023

web jan 4 2020 rancangan pengajaran tahunan sains tahun 6 pengenalan kepada sains kssr 2 peraturan bilik sains minggu standard

rpt sains tahun 6 2022 2023 membalik buku halaman 1 28 - Jun 12 2023

ayuh sebar luas dan kongsi bersama rakan rakan melalui whatsapp dan telegram supaya lebih ramai menerima manfaat klik sahaja butang share untuk bantu sebar bahan ini sebarang masalah aduan see more

rancangan tahunan sains t6 pdf scribd - Jul 13 2023

bahan yang disediakan ini adalah editable boleh edit yang boleh diubah kandungan menggunakan perisian microsoft word pastikan guru guru menggunakan see more

rpt sains tahun 6 sesi 2023 2024 kssr semakan flip my - Aug 14 2023

berikut pula dinyatakan secara terperinci kandungan dan ciri ciri utaman perancangan pengajaran tahunan ini 1 dirangka berdasarkan dokumen standard kurikulum dan pentaksiran dskp 2 merangkumi perancangan sesi pengajaran dan pembelajaran sepanjang tahun 3 diteliti dan see more

rancangan tahunan sains tahun 6 2013 login ftp bonide - Dec 26 2021

web laporan tahunan rancangan tahunan sains tahun 6 2013 login downloaded from reports budgetbakers com by guest bianca jayla explaining primary science elsevier

rpt sains tahun 6 2021 kssr semakan terkini - Oct 04 2022

web rancangan tahunan sains tahun 6 2013 login 5 5 pengajaran dan pembelajaran matematik menggunakan teknologi maklumat dan komunikasi ict bibliografi buku

rancangan tahunan sains tahun 6 2013 login pdf uniport edu - Feb 08 2023

web apr 7 2023 rancangan tahunan sains tahun 6 2013 login is available in our digital library an online access to it is set as public so you can download it instantly our books

rancangan tahunan sains tahun 6 2013 login full pdf - Feb 25 2022

web mar 14 2023 rpt kssr sains tahun 6 2023 2024 by gb march 14 2023 1380 0 kepada ibu bapa guru guru dan pelajar disini disediakan laman yang mengandungi

rancangan tahunan sains tahun 6 2013 login download only - Sep 03 2022

web indon bt sulong guru cemerlang sains 1 rancangan pelajaran tahunan sains tahun 6 sesi 2007 minggu tarikh tema bidang pembelajaran hasil pembelajarn

rpt sains tahun 6 2021 kssr sumber pendidikan - Sep 22 2021

web rancangan tahunan sains tahun 6 2013 login downloaded from mops compassion com by guest neil chanel penyata rasmi parlimen dewan rakyat elsevier health sciences

rancangan tahunan sains tahun 6 2013 login pdf ol wise edu - Jan 07 2023

web aug 15 2023 you could buy guide rancangan tahunan sains tahun 6 2013 login or acquire it as soon as feasible you could speedily download this rancangan tahunan

rancangan tahunan sains tahun 6 2013 login copy uniport edu - Mar 09 2023

web rpt sains tahun 3 2022 2023 docx 295 4 kb rpt sains tahun 4 2022 2023 docx 302 7 kb rpt sains tahun 5 2022 2023 docx 333 4 kb rpt sains tahun 6

[rancangan tahunan sains tahun 6 2013 login copy uniport edu](#) - May 31 2022

web jan 1 2022 rpt sains tahun 6 2022 kssr semakan perkongsian kali ini melibatkan bahan persediaan awal tahun bagi guru iaitu rpt sains tahun 6 2022 kssr

rancangan tahunan sains tahun 6 2013 login - Oct 24 2021

web rpt sains tahun 6 2023 kssr semakan perkongsian kali ini melibatkan bahan persediaan awal tahun bagi guru iaitu rpt sains tahun 6 2023 kssr semakan pada

rancangan tahunan sains tahun 6 2013 login - Apr 29 2022

web may 30 2023 rancangan tahunan sains tahun 6 2013 login 2 6 downloaded from uniport edu ng on may 30 2023 by guest and critical care treatment it is the most

grace byers biography imdb - Apr 29 2022

grace her lives her loves the definitive biography - Feb 08 2023

web read grace her lives her loves the definitive biography of grace kelly princess of monaco by robert lacey available from rakuten kobo movie legend princess tragic

grace her lives her loves the definitive biography of grace - Jan 07 2023

web find helpful customer reviews and review ratings for grace her lives her loves the definitive biography of grace kelly princess of monaco at amazon com read honest

grace her lives her loves the definitive biography of - Aug 14 2023

web in this definitive biography of hollywood s sweetheart robert lacey looks behind the fairytale facade to reveal the real story of princess grace of monaco as she became

grace her lives her loves the definitive biography of grace - May 11 2023

web jun 6 2014 movie legend princess tragic heroine the moment grace kelly stepped into the spotlight in 1950 the world was entranced in this definitive biography of

grace her lives her loves the definitive biography of grace - Jul 13 2023

web gaining unprecedented access to her family and friends he tells the story of a complex and conflicted woman determined to live her dream the bestselling biographer also reveals

grace her lives her loves the definitive biography pdf - Sep 03 2022

web jan 12 2020 the life of grace directed by jenifer harvey with lee behymer janna garland breanna harvey erick hatter deciding that her chances are better on the

grace her lives her loves the definitive biography of grace - Mar 09 2023

web jun 11 2014 in this definitive biography of hollywood s sweetheart robert lacey looks behind the fairytale facade to reveal the real story of princess grace of monaco as she

the life of grace 2020 imdb - Jul 01 2022

web grace byers actress empire grace byers born grace lillis gealey was born in butler pa and moved to the cayman islands at age 2 she moved back to america to attend

grace her lives her loves the definitive biography - Jun 12 2023

web grace her lives her loves the definitive biography of grace kelly princess of monaco lacey robert on amazon com au free shipping on eligible orders grace

grace her lives her loves the definitive biography of grace - Dec 06 2022

web movie legend princess tragic heroine the moment grace kelly stepped into the spotlight in 1950 the world was entranced in this definitive biography of hollywood s

grace kirby wikipedia - Mar 29 2022

grace her lives her loves the definitive biograph pdf - Aug 02 2022

web as this grace her lives her loves the definitive biograph it ends going on inborn one of the favored ebook grace her lives her loves the definitive biograph collections

grace her lives her loves the startling royal exposé - Apr 10 2023

web grace her lives her loves the definitive biography of grace kelly princess of monaco ebook lacey robert amazon com au kindle store

grace her lives her loves the definitive biography of grace - Oct 04 2022

web aug 3 2023 grace her lives her loves the definitive biograph 1 12 downloaded from uniport edu ng on august 3 2023 by

guest grace her lives her loves the definitive

amazon co uk customer reviews grace her lives her - Nov 05 2022

web may 27 2023 grace jones takes us on a journey from grace s religious upbringing in jamaica to her heyday in paris and new york in the 70s and 80s all the way to present

grace her lives her loves the definitive biograph shopify ubp - May 31 2022

web grace kirby is an english film and television actress she played female cenobite in clive barker s directorial debut hellraiser 1987