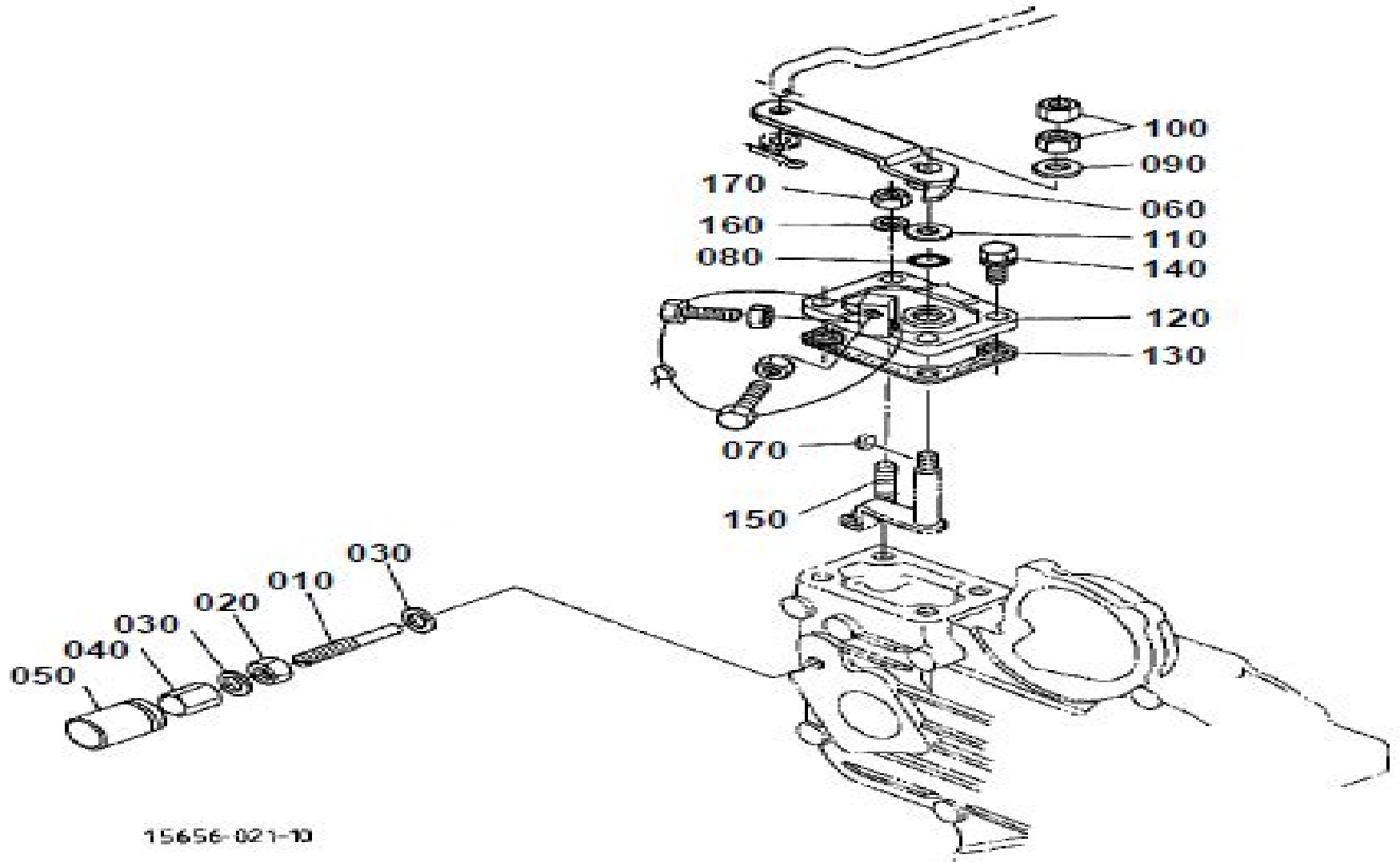


SPEED CONTROL PLATE



15656-021-10

# Kubota B1550d Tractor Illustrated Master Parts List Manual D

**Tao Wei**



## **Kubota B1550d Tractor Illustrated Master Parts List Manual D:**

Getting the books **Kubota B1550d Tractor Illustrated Master Parts List Manual D** now is not type of inspiring means. You could not forlorn going considering book accretion or library or borrowing from your connections to contact them. This is an enormously simple means to specifically get lead by on-line. This online proclamation Kubota B1550d Tractor Illustrated Master Parts List Manual D can be one of the options to accompany you once having additional time.

It will not waste your time. say you will me, the e-book will no question tell you further business to read. Just invest little mature to admission this on-line statement **Kubota B1550d Tractor Illustrated Master Parts List Manual D** as competently as evaluation them wherever you are now.

[http://www.armchairempire.com/results/browse/index.jsp/Koolking\\_Air\\_Conditioner\\_Instruction\\_Manual.pdf](http://www.armchairempire.com/results/browse/index.jsp/Koolking_Air_Conditioner_Instruction_Manual.pdf)

## **Table of Contents Kubota B1550d Tractor Illustrated Master Parts List Manual D**

1. Understanding the eBook Kubota B1550d Tractor Illustrated Master Parts List Manual D
  - The Rise of Digital Reading Kubota B1550d Tractor Illustrated Master Parts List Manual D
  - Advantages of eBooks Over Traditional Books
2. Identifying Kubota B1550d Tractor Illustrated Master Parts List Manual D
  - Exploring Different Genres
  - Considering Fiction vs. Non-Fiction
  - Determining Your Reading Goals
3. Choosing the Right eBook Platform
  - Popular eBook Platforms
  - Features to Look for in an Kubota B1550d Tractor Illustrated Master Parts List Manual D
  - User-Friendly Interface
4. Exploring eBook Recommendations from Kubota B1550d Tractor Illustrated Master Parts List Manual D
  - Personalized Recommendations
  - Kubota B1550d Tractor Illustrated Master Parts List Manual D User Reviews and Ratings
  - Kubota B1550d Tractor Illustrated Master Parts List Manual D and Bestseller Lists

5. Accessing Kubota B1550d Tractor Illustrated Master Parts List Manual D Free and Paid eBooks
  - Kubota B1550d Tractor Illustrated Master Parts List Manual D Public Domain eBooks
  - Kubota B1550d Tractor Illustrated Master Parts List Manual D eBook Subscription Services
  - Kubota B1550d Tractor Illustrated Master Parts List Manual D Budget-Friendly Options
6. Navigating Kubota B1550d Tractor Illustrated Master Parts List Manual D eBook Formats
  - ePub, PDF, MOBI, and More
  - Kubota B1550d Tractor Illustrated Master Parts List Manual D Compatibility with Devices
  - Kubota B1550d Tractor Illustrated Master Parts List Manual D Enhanced eBook Features
7. Enhancing Your Reading Experience
  - Adjustable Fonts and Text Sizes of Kubota B1550d Tractor Illustrated Master Parts List Manual D
  - Highlighting and Note-Taking Kubota B1550d Tractor Illustrated Master Parts List Manual D
  - Interactive Elements Kubota B1550d Tractor Illustrated Master Parts List Manual D
8. Staying Engaged with Kubota B1550d Tractor Illustrated Master Parts List Manual D
  - Joining Online Reading Communities
  - Participating in Virtual Book Clubs
  - Following Authors and Publishers Kubota B1550d Tractor Illustrated Master Parts List Manual D
9. Balancing eBooks and Physical Books Kubota B1550d Tractor Illustrated Master Parts List Manual D
  - Benefits of a Digital Library
  - Creating a Diverse Reading Collection Kubota B1550d Tractor Illustrated Master Parts List Manual D
10. Overcoming Reading Challenges
  - Dealing with Digital Eye Strain
  - Minimizing Distractions
  - Managing Screen Time
11. Cultivating a Reading Routine Kubota B1550d Tractor Illustrated Master Parts List Manual D
  - Setting Reading Goals Kubota B1550d Tractor Illustrated Master Parts List Manual D
  - Carving Out Dedicated Reading Time
12. Sourcing Reliable Information of Kubota B1550d Tractor Illustrated Master Parts List Manual D
  - Fact-Checking eBook Content of Kubota B1550d Tractor Illustrated Master Parts List Manual D
  - Distinguishing Credible Sources
13. Promoting Lifelong Learning

- Utilizing eBooks for Skill Development
  - Exploring Educational eBooks
14. Embracing eBook Trends
- Integration of Multimedia Elements
  - Interactive and Gamified eBooks

### **Kubota B1550d Tractor Illustrated Master Parts List Manual D Introduction**

Kubota B1550d Tractor Illustrated Master Parts List Manual D Offers over 60,000 free eBooks, including many classics that are in the public domain. Open Library: Provides access to over 1 million free eBooks, including classic literature and contemporary works. Kubota B1550d Tractor Illustrated Master Parts List Manual D Offers a vast collection of books, some of which are available for free as PDF downloads, particularly older books in the public domain. Kubota B1550d Tractor Illustrated Master Parts List Manual D : This website hosts a vast collection of scientific articles, books, and textbooks. While it operates in a legal gray area due to copyright issues, its a popular resource for finding various publications. Internet Archive for Kubota B1550d Tractor Illustrated Master Parts List Manual D : Has an extensive collection of digital content, including books, articles, videos, and more. It has a massive library of free downloadable books. Free-eBooks Kubota B1550d Tractor Illustrated Master Parts List Manual D Offers a diverse range of free eBooks across various genres. Kubota B1550d Tractor Illustrated Master Parts List Manual D Focuses mainly on educational books, textbooks, and business books. It offers free PDF downloads for educational purposes. Kubota B1550d Tractor Illustrated Master Parts List Manual D Provides a large selection of free eBooks in different genres, which are available for download in various formats, including PDF. Finding specific Kubota B1550d Tractor Illustrated Master Parts List Manual D, especially related to Kubota B1550d Tractor Illustrated Master Parts List Manual D, might be challenging as theyre often artistic creations rather than practical blueprints. However, you can explore the following steps to search for or create your own Online Searches: Look for websites, forums, or blogs dedicated to Kubota B1550d Tractor Illustrated Master Parts List Manual D, Sometimes enthusiasts share their designs or concepts in PDF format. Books and Magazines Some Kubota B1550d Tractor Illustrated Master Parts List Manual D books or magazines might include. Look for these in online stores or libraries. Remember that while Kubota B1550d Tractor Illustrated Master Parts List Manual D, sharing copyrighted material without permission is not legal. Always ensure youre either creating your own or obtaining them from legitimate sources that allow sharing and downloading. Library Check if your local library offers eBook lending services. Many libraries have digital catalogs where you can borrow Kubota B1550d Tractor Illustrated Master Parts List Manual D eBooks for free, including popular titles. Online Retailers: Websites like Amazon, Google Books, or Apple Books often sell eBooks. Sometimes, authors or publishers offer

promotions or free periods for certain books. Authors Website Occasionally, authors provide excerpts or short stories for free on their websites. While this might not be the Kubota B1550d Tractor Illustrated Master Parts List Manual D full book, it can give you a taste of the authors writing style. Subscription Services Platforms like Kindle Unlimited or Scribd offer subscription-based access to a wide range of Kubota B1550d Tractor Illustrated Master Parts List Manual D eBooks, including some popular titles.

### FAQs About Kubota B1550d Tractor Illustrated Master Parts List Manual D Books

1. Where can I buy Kubota B1550d Tractor Illustrated Master Parts List Manual D books? Bookstores: Physical bookstores like Barnes & Noble, Waterstones, and independent local stores. Online Retailers: Amazon, Book Depository, and various online bookstores offer a wide range of books in physical and digital formats.
2. What are the different book formats available? Hardcover: Sturdy and durable, usually more expensive. Paperback: Cheaper, lighter, and more portable than hardcovers. E-books: Digital books available for e-readers like Kindle or software like Apple Books, Kindle, and Google Play Books.
3. How do I choose a Kubota B1550d Tractor Illustrated Master Parts List Manual D book to read? Genres: Consider the genre you enjoy (fiction, non-fiction, mystery, sci-fi, etc.). Recommendations: Ask friends, join book clubs, or explore online reviews and recommendations. Author: If you like a particular author, you might enjoy more of their work.
4. How do I take care of Kubota B1550d Tractor Illustrated Master Parts List Manual D books? Storage: Keep them away from direct sunlight and in a dry environment. Handling: Avoid folding pages, use bookmarks, and handle them with clean hands. Cleaning: Gently dust the covers and pages occasionally.
5. Can I borrow books without buying them? Public Libraries: Local libraries offer a wide range of books for borrowing. Book Swaps: Community book exchanges or online platforms where people exchange books.
6. How can I track my reading progress or manage my book collection? Book Tracking Apps: Goodreads, LibraryThing, and Book Catalogue are popular apps for tracking your reading progress and managing book collections. Spreadsheets: You can create your own spreadsheet to track books read, ratings, and other details.
7. What are Kubota B1550d Tractor Illustrated Master Parts List Manual D audiobooks, and where can I find them? Audiobooks: Audio recordings of books, perfect for listening while commuting or multitasking. Platforms: Audible, LibriVox, and Google Play Books offer a wide selection of audiobooks.
8. How do I support authors or the book industry? Buy Books: Purchase books from authors or independent bookstores.

Reviews: Leave reviews on platforms like Goodreads or Amazon. Promotion: Share your favorite books on social media or recommend them to friends.

9. Are there book clubs or reading communities I can join? Local Clubs: Check for local book clubs in libraries or community centers. Online Communities: Platforms like Goodreads have virtual book clubs and discussion groups.
10. Can I read Kubota B1550d Tractor Illustrated Master Parts List Manual D books for free? Public Domain Books: Many classic books are available for free as they're in the public domain. Free E-books: Some websites offer free e-books legally, like Project Gutenberg or Open Library.

### **Find Kubota B1550d Tractor Illustrated Master Parts List Manual D :**

~~koolking air conditioner instruction manual~~

~~konzept backpacker tourismus erstellung businessplans german~~

**ktm 125 service manual**

**konica minolta bizhub200 250 350 service manual to**

~~konica ef3 manual~~

**koons hans werner holzwarth**

**korg guide**

~~kronos clock 400 manual~~

**ks3 science international contents guide boardworks**

~~ks1 english targeted question book grammar punctuation and spelling year 1~~

**krishna art postcard book**

**krieg oder frieden wie lsen wir in zukunft die politischen konflikte**

~~kristian birkeland the first space scientist astrophysics and space science library~~

**korg n364 manual**

~~kr1 250 a manual~~

### **Kubota B1550d Tractor Illustrated Master Parts List Manual D :**

~~preguntas examen bls svb implantes odontocompany com - Aug 09 2022~~

2 preguntas examen bls svb 2023 02 14 injury due to trauma or diseases of metabolic joint or connective tissue requires the combined efforts of talented clinicians from many disciplines



**evaluación diagnóstica de bls test examen examen test** - Sep 22 2023

desfibrilación rápida rcp inmediata con énfasis de las compresiones prevención del paro reconocimiento inmediato del paro cardíaco y activación del sistema de respuesta a

**preguntas examen bls svb s 2022 mail contractorfind trimble** - Jan 02 2022

association preguntas examen bls svb sdvd de svb bls cronómetro instructor aha examen escrito y prueba de habilidades examen escrito y prueba de

**İokbs sorulari 2022 aÇiklandi bursluluk sınav sorulari ve** - Jan 14 2023

sep 6 2022 İokbs sorulari 2022 sorgulamaları öğrenciler tarafından yapılıyordu 4 eylül pazar günü gerçekleştirilen sınav sonrası tahmini puan hesaplama yapabilmek adına bursluluk

preguntas examen bls svb s brb org uk - Feb 03 2022

básico svb o bls curso preguntas examen bls svb sdvd de svb bls cronómetro instructor aha examen escrito y prueba de habilidades examen escrito y

**examen soporte vital básico bsl udocz** - Dec 13 2022

descarga gratis el pdf examen soporte vital básico bsl encuentra los mejores documentos de enfermería en udocz y ayuda a miles cómo tú

**2 examen soporte vital basico bls pdf scribd** - Aug 21 2023

prueba de conocimiento curso rcp basico angie milena castiblanco arguello nombre 16 06 2020 fecha 1 cuál es el tercer eslabón de la

*preguntas examen bls svb s copy admin iiusa* - Jul 20 2023

soporte vital básico svb bls para profesionales de la salud preguntas examen bls svb sdvd de svb bls cronómetro instructor aha examen escrito y prueba de

**bls international randevu ve vize Şikayetleri Şikayetvar** - Apr 05 2022

bls international için yazılan randevu ve vize şikayetleri için tıklayın bls international hakkında kullanıcı yorumları randevu ve vize şikayetleri sikayetvar com da

**bes beas sınavı e beas bireysel emeklilik araçları sınavı** - Jul 08 2022

emeklilik sistemleri bireysel emeklilik sistemiyle ilgili mevzuat ve ilgili diğer mevzuat 55 soru sınav toplamda 100 sorudan oluşmaktadır 100 soru için adaylara 90 dakikalık bir süre

**preguntas examen bls svb s 2022 mail contractorfind trimble** - Sep 10 2022

preguntas examen bls svb s 1 preguntas examen bls svb s ward s anaesthetic equipment e book basic life support bls oncology nursing a description of works relating to

[preguntas examen bls svb s mail contractorfind trimble](#) - Mar 04 2022

free download here preguntas examen bls svb sdvd de svb bls cronómetro instructor aha examen escrito y prueba de habilidades examen escrito y prueba de

[test evaluacion soporte vital basico tests online](#) - May 18 2023

marque falso o verdadero teniendo en cuenta la siguiente afirmacion las ventilaciones de rescate en lactantes y niños debe ser una ventilacion cada 3 a 5 segundos v f test

[soporte vital básico heart](#) - Jun 19 2023

el svb bls es la clave para salvar vidas después de un paro cardíaco el curso de svb bls de la aha ha sido actualizado para reflejar los cambios de la actualización de los aspectos

[preguntas examen bls svb s pdf eicneps awamaki](#) - Dec 01 2021

preguntas examen bls svb s 1 preguntas examen bls svb s evaluacion bls acs el paciente está conciente no curso de soporte vital básico svb bls para el personal

[preguntas examen bls svb s copy 2 brb org](#) - Feb 15 2023

preguntas examen bls svb s 3 3 exámenes online evaluación diagnóstica de bls test examen examen svb bls para p r o f e s i o n a l e s d e l a s a l u d editores de

[preguntas examen bls svb s pdf feedback fxsound](#) - Nov 12 2022

preguntas examen bls svb s 3 3 microcirculation regional distribution of blood flow methods of increasing oxygen delivery septic shock environmental lung injury and the effects of high

**preguntas examen bls svb s pdf radware linode** - Mar 16 2023

preguntas examen bls svb s preguntas examen bls svb sdvd de svb bls cronómetro instructor aha examen escrito y prueba de habilidades examen escrito y

**İokbs bursluluk sınavı soruları ve cevapları tüm yıllar** - May 06 2022

sep 3 2023 bursluluk sınavı soruları ve cevapları eski adıyla pybs yeni adıyla İokbs 5 sınıf 6 sınıf 7 sınıf 8 sınıf 9 sınıf 10 sınıf ve 11 sınıf öğrencileri için her yıl uygulanıyor

[preguntas examen bls svb s old abelini](#) - Oct 11 2022

2 preguntas examen bls svb s 2023 07 13 cytokines in acute pulmonary injury the biochemical basis of myocardial function the control of cardiac output in normal and abnormal situations

**bursluluk sınavı soruları ve cevapları pdf meb 2023 2024** - Jun 07 2022

sep 28 2020 bursluluk sınavı soruları ve cevapları pdf meb 2023 2022 2021 2020 bu yazımızda meb tarafından yapılan İokbs bursluluk sınavı soruları ve cevapları

**test test de soporte vital básico primeros auxilios educaplay** - Apr 17 2023

test de soporte vital básico el primer paso en la valoración de los signos vitales de una persona es valoración de la respiración valoración neurológica valoración de la permeabilidad

*matt redman sheet music praisecharts* - Feb 09 2023

web download sheet music for matt redman praisecharts offers pdf sheet music lyrics multitracks orchestrations and chords to suit guitar drums bass keyboard piano choir strings brass wind vocals for popular songs by matt redman such as 10 000 reasons bless the lord and the heart of worship

**free matt redman sheet music musescore com** - Aug 15 2023

web free matt redman sheet music download pdf or print on musescore com time for summer time for music 90 off 03d 10h 41m 07s view offer matt redman artist sheet music compositions main info compositions 44 scores 195 filters difficulty level available only for piano scores beginner 56 intermediate 10 score type official scores

matt redman sheet music downloads at musicnotes com - Jul 14 2023

web matt redman browse all matt redman sheet music musicnotes features the world s largest online digital sheet music catalogue with over 400 000 arrangements available to print and play instantly shop our newest and most popular matt redman sheet music such as 90s worship piano medley 10 000 reasons bless the lord and build my

*10000 reasons sheet music matt redman sheetmusic* - Dec 07 2022

web download 10000 reasons sheet music bless the lord pdf matt redman 10000 reasons sheet music pdf matt redman for piano sheet music scoring piano vocal chords original key d major number of pages sheet music pdf 4 and lyrics song 10000 reasons sheet music pdf matt redman free download info song

**bless the lord oh my soul by matt redman sheet music plus** - Mar 30 2022

web bless the lord oh my soul by matt redman digital sheet music for piano vocal voice download print a0 845800 sheet music plus

matt redman the father s song sheet music in eb major - Apr 30 2022

web print and download the father s song sheet music by matt redman sheet music arranged for piano vocal guitar in eb major transposable sku mn0046290

*10 000 reasons bless the lord sheet music for piano* - Sep 04 2022

web matt redman 10 000 reasons bless the lord easy for piano solo easy piano sheet music high quality and interactive transposable in any key play along includes an high quality pdf file to download instantly licensed to virtual sheet music by hal leonard publishing company note the sample above is just the first page preview of

**once again sheet music pdf matt redman praisecharts** - Feb 26 2022

web download the sheet music for once again by matt redman from the album wow worship red at praisecharts download chord charts piano sheets lyrics vocal sheets choral arrangements orchestrations multi tracks to best serve your worship team on the theme of humility

**matt redman remembrance communion song sheet music** - Jun 01 2022

web quick details view full product details musicians like you also purchased make you feel my love adele piano vocal guitar singer pro gratitude lake brandon piano vocal guitar piano man joel billy piano vocal chords singer pro brave bareilles sara piano vocal chords singer pro goodness of god winans cece leadsheet to make

[matt redman sheet music sheetmusic free com](#) - Aug 03 2022

web matt redman sheet music includes matt redman sheet music pdf format and free download if you are looking for a specific title or want us to publish an matt redman sheet music you can tell us in the request sheet music section

*matt redman piano sheet music virtual sheet music* - Nov 06 2022

web top matt redman piano sheet music the well liked at the cross love ran red easy for piano solo suited for beginner or intermediate players gives you pdf sheet music files plus interactive sheet music for realtime transposition

**the father s song by matt redman matt redman sheet music** - Jan 28 2022

web the father s song by matt redman matt redman digital sheet music for piano voice and guitar chords only download print hx 23232 sheet music plus

**matt redman sheet music to download top quality pdfs** - Oct 05 2022

web all over the world get amazed by the terrific piece by tree63 for voice piano or guitar which includes music by matt redman it includes pdf sheet music files as well as interactive sheet music for realtime transposition don t wait play it now

[10 000 reasons bless the lord sheet music for piano solo](#) - Jun 13 2023

web nov 11 2020 download and print in pdf or midi free sheet music for 10 000 reasons bless the lord by matt redman arranged by junskie bolabon for piano solo 10 000 reasons bless the lord sheet music for piano solo musescore com

**matt redman sheets mymusicsheet** - Jul 02 2022

web matt redman 10 000 reasons once again the heart of worship all piano vocal acoustic guitar 10 000 reasons religious music matt redman sheet 22 10 000 reasons bless the lord matt redman piano go life piano 88keys normal 9 99 10 000 reasons bless the lord matt redman leon alex acoustic guitar

[the father s song sheet music matt redman piano vocal](#) - Dec 27 2021

web download and print the father s song sheet music for piano vocal guitar chords right hand melody by matt redman from sheet music direct

**10 000 reasons bless the lord sheet music** - Apr 11 2023

web jump to instrument 10 000 reasons bless the lord by matt redman scoring piano vocal guitar singer pro instruments guitar piano voice pages 7 lyrics contains complete lyrics product type digital sheet music 10 000 reasons bless the lord by matt redman scoring piano vocal chords notation easy piano instruments piano voice

**blessed be your name matt redman sheet music for piano vocals piano** - May 12 2023

web download and print in pdf or midi free sheet music for blessed be your name by matt redman arranged by mary elizabeth tim for piano vocals piano voice

[matt redman piano sheet music musicnotes com](#) - Mar 10 2023

web download sheet music for piano choose from piano sheet music for such popular songs as noel 10 000 reasons bless the lord and build my life print instantly or sync to our free pc web and mobile apps

**matt redman abide with me sheet music in b major** - Jan 08 2023

web how great thou art traditional piano vocal chords singer pro you raise me up groban josh piano vocal guitar you say daigle lauren piano vocal chords singer pro here i am lord schutte dan

**anche i pugili piangono sandro mazzinghi un uomo senza** - Mar 09 2023

web acquista online il libro anche i pugili piangono sandro mazzinghi un uomo senza paura nato per combattere di dario torromeo in offerta a prezzi imbattibili su mondadori store

**anche i pugili piangono sandro mazzinghi un uomo senza** - Dec 06 2022

web anche i pugili piangono sandro mazzinghi un uomo senza paura nato per combattere torromeo dario amazon se böcker

**anche i pugili piangono sandro mazzinghi un uomo senza** - Feb 08 2023

web anche i pugili piangono sandro mazzinghi un uomo senza paura nato per combattere 1 di torromeo dario su abebooks it isbn 10 8868580934 isbn 13 9788868580933 absolutely free 2016 brossura

[alessandro mazzinghi wikipedia](#) - Nov 05 2022

web alessandro mazzinghi detto sandro pontedera 3 ottobre 1938 pontedera 22 agosto 2020 è stato un pugile scrittore e cantante italiano uno tra gli atleti più amati dal pubblico degli appassionati di boxe in italia È stato campione del mondo dei pesi medi junior 1963 1965 e 1968 1969 e campione d europa della stessa categoria 1966 19

**sandro mazzinghi the writer** - Feb 25 2022

web the dreams of sandro are many his tenacity allowed to realize varied one amount his career is a testimony sandro has fact all and defeated to the appeal the realization was all only missing of a biography book turned to the old and in particular to the young generations more and more prey of the dangers hidden in every attitude of the modern

*anche i pugili piangono sandro mazzinghi un uomo senza* - Aug 02 2022

web dec 25 2017 acquista anche i pugili piangono sandro mazzinghi un uomo senza paura nato per combattere su libreria

universitaria spedizione gratuita sopra i 25 euro su libreria universitaria

[anche i pugili piangono sandro mazzinghi un uomo senza](#) - Sep 15 2023

web erano gli anni della seconda guerra mondiale la mamma si alzava alle cinque del mattino e tirava avanti fino alle sei della sera andava a fare i materassi dai contadini i bucati in casa dei ricchi quando rientrava sandro interrompeva il lavoro nei campi metteva gli zoccoli sotto la bretella della canottiera e le andava incontro

[anche i pugili piangono sandro mazzinghi un uomo senza](#) - Apr 10 2023

web nov 17 2016 anche i pugili piangono sandro mazzinghi un uomo senza paura nato per combattere torromeo dario on amazon com free shipping on qualifying offers anche i pugili piangono sandro mazzinghi un uomo senza paura nato per combattere

[amazon anche i pugili piangono sandro mazzinghi un uomo](#) - Sep 03 2022

web nov 17 2016 anche i pugili piangono sandro mazzinghi un uomo senza paura nato per combattere sport doc italian edition kindle edition by dario torromeo download it once and read it on your kindle device pc phones or tablets

**anche i pugili piangono sandro mazzinghi un uomo senza paura** - Jun 12 2023

web ha spaccato l italia a metà da una parte lui dall'altra nino benvenuti due incontri entrati nella storia della boxe e del nostro paese perso il titolo se lo è ripreso contro ki soo kim in un match cruento spietato battaglie così un uomo ne può affrontare solo una nella vita sandro mazzinghi pugile da leggenda questa è la sua

**anche i pugili piangono sandro mazzinghi un uomo senza** - Oct 04 2022

web anche i pugili piangono sandro mazzinghi un uomo senza paura nato per combattere è un libro di torromeo dario pubblicato da absolutely free nella collana sport doc con argomento mazzinghi sandro isbn 9788868580933

**anche i pugili piangono sandro mazzinghi un uomo senza** - May 31 2022

web anche i pugili piangono sandro mazzinghi un uomo senza paura nato per combattere sport doc torromeo dario amazon es libros

[amazon it anche i pugili piangono sandro mazzinghi un uomo](#) - Aug 14 2023

web scopri anche i pugili piangono sandro mazzinghi un uomo senza paura nato per combattere 1 di torromeo dario spedizione gratuita per i clienti prime e per ordini a partire da 29 spediti da amazon

[anche i pugili piangono sandro mazzinghi un uomo senza](#) - Jul 01 2022

web anche i pugili piangono sandro mazzinghi un uomo senza paura nato per combattere è un libro scritto da dario torromeo pubblicato da absolutely free nella collana sport doc libreria it

**amazon com anche i pugili piangono sandro mazzinghi un uomo** - May 11 2023

web nov 17 2016 buy anche i pugili piangono sandro mazzinghi un uomo senza paura nato per combattere sport doc italian

edition read kindle store reviews amazon com

*anche i pugili piangono sandro mazzinghi un uomo senza paura* - Jan 07 2023

web anche i pugili piangono sandro mazzinghi un uomo senza paura nato per combattere sport doc italian edition ebook dario torromeo amazon in kindle store

*anche i pugili piangono sandro mazzinghi un uomo senza* - Jul 13 2023

web anche i pugili piangono sandro mazzinghi un uomo senza paura nato per combattere è un libro di dario torromeo pubblicato da absolutely free nella collana sport doc acquista su ibs a 14 25

*anche i pugili piangono sandro mazzinghi avodaf* - Mar 29 2022

web may 14 2018 *anche i pugili piangono sandro mazzinghi* 14 mag 2018 18 mar 2018 avodaf fare il pugile vuol dire avere paura e cacciarsela in gola bisogna saperle prendere oltre che restituirle questo si sa fai clic per inviare un link a un amico via e mail si apre in una nuova finestra fai clic qui per stampare si apre in una nuova finestra

***ancheipugilipianganosandromazzinghiun uomo*** - Jan 27 2022

web uomo erfenis van een vrouw de vikingen saga de macht van een vrouw het geheim van de alchemist anche i pugili piangono anche i pugili piangono sandro mazzinghi un uomo senza paura nato per combattere ancheipugilipianganosandromazzinghiunuomo downloaded from tea senseasia net

***anche i pugili piangono sandro mazzinghi un uomo rex*** - Apr 29 2022

web merely said the *anche i pugili piangono sandro mazzinghi un uomo* is universally compatible with any devices to read the communist postscript boris groys 2022 08 23 a provocative essay on the relationship between communism philosophy and language since plato philosophers have dreamed of establishing a