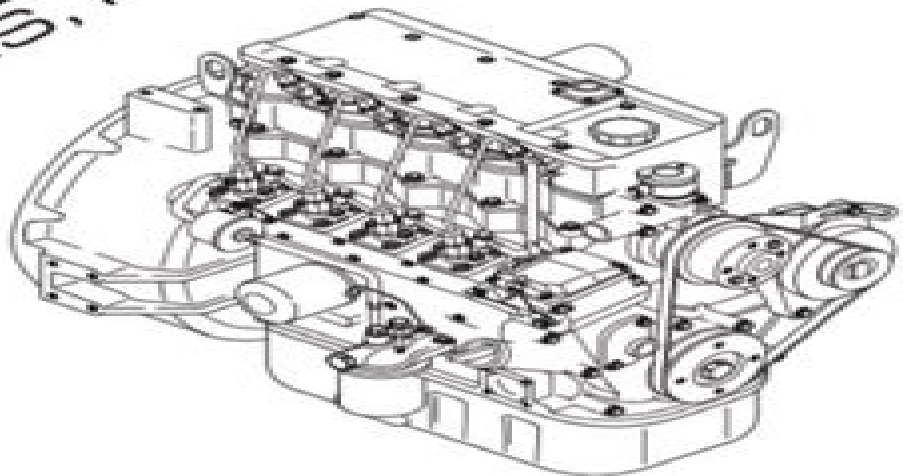


0D9255

GENERAC[®]
POWER SYSTEMS, INC.



2.2 LITER
DIESEL

ISUZU

ENGINE
PARTS
MANUAL

Manual Motor Isuzu 17 Diesel

Ensheng Dong



Manual Motor Isuzu 17 Diesel:

Manual Motor Isuzu 17 Diesel: Bestsellers in 2023 The year 2023 has witnessed a remarkable surge in literary brilliance, with numerous engrossing novels captivating the hearts of readers worldwide. Lets delve into the realm of popular books, exploring the captivating narratives that have enthralled audiences this year. The Must-Read : Colleen Hoovers "It Ends with Us" This heartfelt tale of love, loss, and resilience has gripped readers with its raw and emotional exploration of domestic abuse. Hoover expertly weaves a story of hope and healing, reminding us that even in the darkest of times, the human spirit can triumph. Uncover the Best : Taylor Jenkins Reids "The Seven Husbands of Evelyn Hugo" This spellbinding historical fiction novel unravels the life of Evelyn Hugo, a Hollywood icon who defies expectations and societal norms to pursue her dreams. Reids captivating storytelling and compelling characters transport readers to a bygone era, immersing them in a world of glamour, ambition, and self-discovery. Discover the Magic : Delia Owens "Where the Crawdads Sing" This mesmerizing coming-of-age story follows Kya Clark, a young woman who grows up alone in the marshes of North Carolina. Owens spins a tale of resilience, survival, and the transformative power of nature, captivating readers with its evocative prose and mesmerizing setting. These popular novels represent just a fraction of the literary treasures that have emerged in 2023. Whether you seek tales of romance, adventure, or personal growth, the world of literature offers an abundance of captivating stories waiting to be discovered. The novel begins with Richard Papen, a bright but troubled young man, arriving at Hampden College. Richard is immediately drawn to the group of students who call themselves the Classics Club. The club is led by Henry Winter, a brilliant and charismatic young man. Henry is obsessed with Greek mythology and philosophy, and he quickly draws Richard into his world. The other members of the Classics Club are equally as fascinating. Bunny Corcoran is a wealthy and spoiled young man who is always looking for a good time. Charles Tavis is a quiet and reserved young man who is deeply in love with Henry. Camilla Macaulay is a beautiful and intelligent young woman who is drawn to the power and danger of the Classics Club. The students are all deeply in love with Morrow, and they are willing to do anything to please him. Morrow is a complex and mysterious figure, and he seems to be manipulating the students for his own purposes. As the students become more involved with Morrow, they begin to commit increasingly dangerous acts. The Secret History is a brilliant and gripping novel that will keep you guessing until the very end. The novel is a cautionary tale about the dangers of obsession and the power of evil.

<http://www.armchairempire.com/public/browse/Documents/lull%20manual%20844c.pdf>

Table of Contents Manual Motor Isuzu 17 Diesel

1. Understanding the eBook Manual Motor Isuzu 17 Diesel
 - The Rise of Digital Reading Manual Motor Isuzu 17 Diesel
 - Advantages of eBooks Over Traditional Books
2. Identifying Manual Motor Isuzu 17 Diesel
 - Exploring Different Genres
 - Considering Fiction vs. Non-Fiction
 - Determining Your Reading Goals
3. Choosing the Right eBook Platform
 - Popular eBook Platforms
 - Features to Look for in an Manual Motor Isuzu 17 Diesel
 - User-Friendly Interface
4. Exploring eBook Recommendations from Manual Motor Isuzu 17 Diesel
 - Personalized Recommendations
 - Manual Motor Isuzu 17 Diesel User Reviews and Ratings
 - Manual Motor Isuzu 17 Diesel and Bestseller Lists
5. Accessing Manual Motor Isuzu 17 Diesel Free and Paid eBooks
 - Manual Motor Isuzu 17 Diesel Public Domain eBooks
 - Manual Motor Isuzu 17 Diesel eBook Subscription Services
 - Manual Motor Isuzu 17 Diesel Budget-Friendly Options
6. Navigating Manual Motor Isuzu 17 Diesel eBook Formats
 - ePub, PDF, MOBI, and More
 - Manual Motor Isuzu 17 Diesel Compatibility with Devices
 - Manual Motor Isuzu 17 Diesel Enhanced eBook Features
7. Enhancing Your Reading Experience
 - Adjustable Fonts and Text Sizes of Manual Motor Isuzu 17 Diesel
 - Highlighting and Note-Taking Manual Motor Isuzu 17 Diesel
 - Interactive Elements Manual Motor Isuzu 17 Diesel
8. Staying Engaged with Manual Motor Isuzu 17 Diesel

- Joining Online Reading Communities
 - Participating in Virtual Book Clubs
 - Following Authors and Publishers Manual Motor Isuzu 17 Diesel
9. Balancing eBooks and Physical Books Manual Motor Isuzu 17 Diesel
- Benefits of a Digital Library
 - Creating a Diverse Reading Collection Manual Motor Isuzu 17 Diesel
10. Overcoming Reading Challenges
- Dealing with Digital Eye Strain
 - Minimizing Distractions
 - Managing Screen Time
11. Cultivating a Reading Routine Manual Motor Isuzu 17 Diesel
- Setting Reading Goals Manual Motor Isuzu 17 Diesel
 - Carving Out Dedicated Reading Time
12. Sourcing Reliable Information of Manual Motor Isuzu 17 Diesel
- Fact-Checking eBook Content of Manual Motor Isuzu 17 Diesel
 - Distinguishing Credible Sources
13. Promoting Lifelong Learning
- Utilizing eBooks for Skill Development
 - Exploring Educational eBooks
14. Embracing eBook Trends
- Integration of Multimedia Elements
 - Interactive and Gamified eBooks

Manual Motor Isuzu 17 Diesel Introduction

Free PDF Books and Manuals for Download: Unlocking Knowledge at Your Fingertips In today's fast-paced digital age, obtaining valuable knowledge has become easier than ever. Thanks to the internet, a vast array of books and manuals are now available for free download in PDF format. Whether you are a student, professional, or simply an avid reader, this treasure trove of downloadable resources offers a wealth of information, conveniently accessible anytime, anywhere. The advent of online libraries and platforms dedicated to sharing knowledge has revolutionized the way we consume information. No longer confined to physical libraries or bookstores, readers can now access an extensive collection of digital books and

manuals with just a few clicks. These resources, available in PDF, Microsoft Word, and PowerPoint formats, cater to a wide range of interests, including literature, technology, science, history, and much more. One notable platform where you can explore and download free Manual Motor Isuzu 17 Diesel PDF books and manuals is the internet's largest free library. Hosted online, this catalog compiles a vast assortment of documents, making it a veritable goldmine of knowledge. With its easy-to-use website interface and customizable PDF generator, this platform offers a user-friendly experience, allowing individuals to effortlessly navigate and access the information they seek. The availability of free PDF books and manuals on this platform demonstrates its commitment to democratizing education and empowering individuals with the tools needed to succeed in their chosen fields. It allows anyone, regardless of their background or financial limitations, to expand their horizons and gain insights from experts in various disciplines. One of the most significant advantages of downloading PDF books and manuals lies in their portability. Unlike physical copies, digital books can be stored and carried on a single device, such as a tablet or smartphone, saving valuable space and weight. This convenience makes it possible for readers to have their entire library at their fingertips, whether they are commuting, traveling, or simply enjoying a lazy afternoon at home. Additionally, digital files are easily searchable, enabling readers to locate specific information within seconds. With a few keystrokes, users can search for keywords, topics, or phrases, making research and finding relevant information a breeze. This efficiency saves time and effort, streamlining the learning process and allowing individuals to focus on extracting the information they need. Furthermore, the availability of free PDF books and manuals fosters a culture of continuous learning. By removing financial barriers, more people can access educational resources and pursue lifelong learning, contributing to personal growth and professional development. This democratization of knowledge promotes intellectual curiosity and empowers individuals to become lifelong learners, promoting progress and innovation in various fields. It is worth noting that while accessing free Manual Motor Isuzu 17 Diesel PDF books and manuals is convenient and cost-effective, it is vital to respect copyright laws and intellectual property rights. Platforms offering free downloads often operate within legal boundaries, ensuring that the materials they provide are either in the public domain or authorized for distribution. By adhering to copyright laws, users can enjoy the benefits of free access to knowledge while supporting the authors and publishers who make these resources available. In conclusion, the availability of Manual Motor Isuzu 17 Diesel free PDF books and manuals for download has revolutionized the way we access and consume knowledge. With just a few clicks, individuals can explore a vast collection of resources across different disciplines, all free of charge. This accessibility empowers individuals to become lifelong learners, contributing to personal growth, professional development, and the advancement of society as a whole. So why not unlock a world of knowledge today? Start exploring the vast sea of free PDF books and manuals waiting to be discovered right at your fingertips.

FAQs About Manual Motor Isuzu 17 Diesel Books

How do I know which eBook platform is the best for me? Finding the best eBook platform depends on your reading preferences and device compatibility. Research different platforms, read user reviews, and explore their features before making a choice. Are free eBooks of good quality? Yes, many reputable platforms offer high-quality free eBooks, including classics and public domain works. However, make sure to verify the source to ensure the eBook credibility. Can I read eBooks without an eReader? Absolutely! Most eBook platforms offer webbased readers or mobile apps that allow you to read eBooks on your computer, tablet, or smartphone. How do I avoid digital eye strain while reading eBooks? To prevent digital eye strain, take regular breaks, adjust the font size and background color, and ensure proper lighting while reading eBooks. What the advantage of interactive eBooks? Interactive eBooks incorporate multimedia elements, quizzes, and activities, enhancing the reader engagement and providing a more immersive learning experience. Manual Motor Isuzu 17 Diesel is one of the best book in our library for free trial. We provide copy of Manual Motor Isuzu 17 Diesel in digital format, so the resources that you find are reliable. There are also many Ebooks of related with Manual Motor Isuzu 17 Diesel. Where to download Manual Motor Isuzu 17 Diesel online for free? Are you looking for Manual Motor Isuzu 17 Diesel PDF? This is definitely going to save you time and cash in something you should think about. If you trying to find then search around for online. Without a doubt there are numerous these available and many of them have the freedom. However without doubt you receive whatever you purchase. An alternate way to get ideas is always to check another Manual Motor Isuzu 17 Diesel. This method for see exactly what may be included and adopt these ideas to your book. This site will almost certainly help you save time and effort, money and stress. If you are looking for free books then you really should consider finding to assist you try this. Several of Manual Motor Isuzu 17 Diesel are for sale to free while some are payable. If you arent sure if the books you would like to download works with for usage along with your computer, it is possible to download free trials. The free guides make it easy for someone to free access online library for download books to your device. You can get free download on free trial for lots of books categories. Our library is the biggest of these that have literally hundreds of thousands of different products categories represented. You will also see that there are specific sites catered to different product types or categories, brands or niches related with Manual Motor Isuzu 17 Diesel. So depending on what exactly you are searching, you will be able to choose e books to suit your own need. Need to access completely for Campbell Biology Seventh Edition book? Access Ebook without any digging. And by having access to our ebook online or by storing it on your computer, you have convenient answers with Manual Motor Isuzu 17 Diesel To get started finding Manual Motor Isuzu 17 Diesel, you are right to find our website which has a comprehensive collection of books online. Our library is the biggest of these that have literally hundreds of thousands of different products represented. You will also see that there are specific sites catered to different categories or niches related with Manual Motor Isuzu 17 Diesel So depending on what exactly you are searching,

you will be able to choose ebook to suit your own need. Thank you for reading Manual Motor Isuzu 17 Diesel. Maybe you have knowledge that, people have search numerous times for their favorite readings like this Manual Motor Isuzu 17 Diesel, but end up in harmful downloads. Rather than reading a good book with a cup of coffee in the afternoon, instead they juggled with some harmful bugs inside their laptop. Manual Motor Isuzu 17 Diesel is available in our book collection an online access to it is set as public so you can download it instantly. Our digital library spans in multiple locations, allowing you to get the most less latency time to download any of our books like this one. Merely said, Manual Motor Isuzu 17 Diesel is universally compatible with any devices to read.

Find Manual Motor Isuzu 17 Diesel :

lull manual 844c

luxaire oil furnace service manual

lvn written exam at santa clara county

luta de bethe correia x jessamyn duke

lucky in the corner a novel

m109r repair manual

lumix dmc gh1 service manual

lynx 5900 manual 2003

m mentos lmd fiscalit thierry lamulle

lx885 turbo manual

lucifers gardens mathias n chafukwa

luther sin flood commentary genesis

lusten en lasten verhalen

m1087 manual ecu

m glichkeiten employer brandings f r kmu

Manual Motor Isuzu 17 Diesel :

purchasing department goals and objectives bizfluent - Dec 07 2022

web jun 13 2019 the purchasing department is responsible for buying the right resources for the business at the right time

strategic goals of purchasing include selecting suppliers

top 10 procurement goals for 2022 procurement magazine - Aug 15 2023

just like modern technology the procurement team should always be transforming to be more efficient while not forgetting to develop soft skills too communication teamwork etc the secret to procurement power is to never stop educating your team in realms such as 1 new customer trends 2 new code see more

prioritize these 10 essential procurement goals in 2023 - May 12 2023

the data collected from the supply chain vendors and customers is critical to developing the procurement strategies needed to build a business to success to make that happen see more

purchasing agent resume objective examples - Feb 26 2022

web in this article you ll find 20 purchasing agent resume objective examples to help you get started finding the perfect resume objective is essential to making your resume stand

purchasing agent objectives resume objective - Mar 10 2023

web sample purchasing agent resume objectives make an effort to summarize your most valued skills and experience in your objective statement but remember to display

how your purchasing department can improve your business - Aug 03 2022

web here are the top objectives of most business s purchasing departments 1 lower costs this is by far the primary function of the purchasing department a well run department

6 smart goals examples for procurement procureport blog - Sep 04 2022

web aug 30 2022 this calls for meticulous planning and execution of strategic goals with clear key performance indicators here are some broad smart goals examples for

top 16 purchasing agent resume objective examples - Jul 14 2023

if you re still manually approving invoices you re behind investing in better systems doesn t mean your business has to risk going broke on expensive procurement upgrades but see more

procurement agent performance goals and objectives simblin - Nov 06 2022

web our procurement agent performance goals and objectives represent a wealth of examples and phrases to help you to enhance your performance and achieve your

goals of a purchasing officer work chron com - Oct 05 2022

web may 17 2021 purchasing officers also known as procurement managers use a variety of benchmarks to bet the optimum benefit for goods and services they purchase

what kind of goals should a purchasing agent set - Jan 08 2023

web sep 26 2017 an example could be in the instance where a purchasing agent reduces price by purchasing in a larger lot

size or if the purchasing agent was able to locate

purchasing agent performance goals and objectives simblin - Feb 09 2023

web purchasing agent goals and objectives examples reduce purchasing costs by 10 this fiscal year increase supplier diversity by sourcing from at least 5 minority owned

goals objectives for buyers work chron com - Dec 27 2021

web buyers also called purchasing agents typically work for retail and wholesale enterprises where they focus on making the business profitable through procuring the right products

13 examples of smart goals for procurement success in depth - Apr 11 2023

are you overspending or buying too little too often get the receipts and evaluate where you can change your spending habits have you see more

11 essential procurement kpis you can t ignore kissflow - Sep 23 2021

web aug 22 2023 procurement kpis are a type of performance measurement tool that are used to evaluate and monitor the efficiency of an organization s procurement

purchasing agent resume examples objective skills zety - Jun 01 2022

web aug 24 2023 purchasing agent resume examples objective skills write your purchasing agent resume put it out there and have the recruiter make you an offer

procurement personal objectives 5 things to achieve this year - Jan 28 2022

web jan 30 2022 1 improve your ethical footprint over the last five years ethical practises and the wider ideas behind csr have become vital to the procurement process as

purchasing goals the good the bad the ugly nlpa - Apr 30 2022

web purchasing goals the good the bad the ugly purchasing goals we ll go from worst to best in our discussion of the objectives that purchasing departments set for

the 9 most important types of sales objectives examples - Mar 30 2022

web sep 13 2021 sales objectives are used by management to supplement the vision and goals they have set for the company and sales department the sales objectives

6 critical procurement goals for 2021 and beyond - Jun 13 2023

dirty data puts not just the procurement team but the whole business at risk so clean up it s an exhausting task to consider you may have folders with one essential document see more

goals vs objectives what they are how to use them - Nov 25 2021

web goals vs objectives what are the major differences the main difference between goals and objectives is that goals are

broader in scope and help create vision and direction

how to set goals for yourself and your purchasing department - Jul 02 2022

web step 1 understand your company s overall goals set up a strategic planning meeting with your boss or company owner the purpose will be to get a better understanding of what

how to set smart s m a r t goals for supply chain projects - Oct 25 2021

web mar 30 2016 the how to of setting smart goals let s walk through how we might help a client start to set smart goals for an improvement project for this example we will

basic arrhythmias plus mybradylab with pearson etext - Apr 30 2022

web sep 18 2020 basic arrhythmias helps you understand the common uncomplicated rhythms that are a foundation for further learning and success in electrocardiography

basic arrhythmias 7th edition ekg medicine ebooks and - Mar 30 2022

web jul 3 2010 find basic arrhythmias 7th edition by walraven gail at biblio uncommonly good collectible and rare books from uncommonly good booksellers

basic arrhythmias paperback 23 jun 2010 amazon co uk - Jan 08 2023

web basic arrhythmias seventh edition covers all the basics of arrhythmia interpretation and includes appendices on clinical implications cardiac anatomy and physiology 12 lead

basic arrhythmias 7th edition by walraven gail - Dec 27 2021

web jul 13 2011 basic arrhythmias seventh edition gives beginning students a strong basic understanding of the common uncomplicated rhythms that are a foundation for

basic arrhythmias 7th edition paperback june 23 2010 - Apr 11 2023

web covers clinical implications cardiac anatomy physiology 12 lead electrocardiography basic 12 lead interpretation and pacemakers now includes a new section on

download ebook basic arrhythmias 7th edition full pdf yumpu - Nov 25 2021

basic arrhythmias gail walraven google books - Feb 26 2022

web may 9 2020 1 click button download or read online 2 sign up to acces basic arrhythmias 7th edition 3 choose the book you like when you register

basic arrhythmias 7th edition brady books - Mar 10 2023

web jun 23 2010 buy basic arrhythmias 7 by walraven gail isbn 9780135002384 from amazon s book store everyday low prices and free delivery on eligible orders

[basic arrhythmias 7th edition 9780135002384](#) - Nov 06 2022

web jun 23 2010 coupon rent basic arrhythmias 7th edition 9780135002384 and save up to 80 on textbook rentals and 90 on used textbooks get free 7 day instant

[basic arrhythmias 8th edition amazon com](#) - Oct 05 2022

web nov 11 2016 basic arrhythmias seventh edition covers all the basics of arrhythmia interpretation and includes appendices on clinical implications cardiac anatomy and

[basic arrhythmias 7th edition 7th edition emedical books](#) - Jul 02 2022

web pdf file size 56 20 mb

basic arrhythmias rent 9780135002384 chegg com - Aug 03 2022

web dec 16 2016 chapters cover basic electrophysiology waves and measurements rhythm analysis and the five major groups of arrhythmias basic arrhythmias includes

basic arrhythmias 8th edition pearson - Jun 13 2023

web discover basic arrhythmias 7th edition book an intriguing read explore basic arrhythmias 7th edition in z library and find free summary reviews read online

[basic arrhythmias 7th edition papers heart](#) - Oct 25 2021

[basic arrhythmias 7th edition ekg afkebooks](#) - Jun 01 2022

web basic arrhythmias eighth edition gives beginning students a strong basic understanding of the common uncomplicated rhythms that are a foundation for further

basic arrhythmias 7th edition abebooks - Feb 09 2023

web basic arrhythmias 7th edition by walraven gail and a great selection of related books art and collectibles available now at abebooks com

[basic arrhythmias 7th edition book read summary reviews](#) - May 12 2023

web jun 23 2010 this is a perfect resource for any practicing health care professionals who need to learn or review basic ekg or arrhythmia concepts this new seventh edition

[basic arrhythmias and resource central ems student access](#) - Sep 23 2021

[basic arrhythmias 7th edition by walraven gail abebooks](#) - Dec 07 2022

web basic arrhythmias 7th edition has 640 pages reading length provides a calculation for the word count of this book find out how long it will take you to read

basic arrhythmias 8th edition etextbook subscription pearson - Jan 28 2022

web this classic best selling book has been completely updated and revised to reflect the latest knowledge in the field basic arrhythmias seventh edition covers all the basics of

basic arrhythmias 7th edition 7th edition amazon com - Aug 15 2023

web jul 9 2018 basic arrhythmias seventh edition gives beginning students a strong basic understanding of the common uncomplicated rhythms that are a foundation for further

basic arrhythmias 7th edition read download online libribook - Jul 14 2023

web sep 18 2020 basic arrhythmias home health professions emergency services brady advanced emt basic arrhythmias are you an educator click i m an

basic arrhythmias 7th edition reading length - Sep 04 2022

web basic arrhythmias 7th edition ekg afkebooks medical ebooks for doctors this classic best selling book has been completely updated and revised to reflect the latest

musique africaine wikipédia - Sep 10 2022

web la musique africaine ne connaît pas de début défini sûrement représenté par les chants en chœur et la tradition orale elle est notamment exécutée par des griots de la cour royale ou des places publiques de villes ou de villages la découverte des métaux en afrique permet de fabriquer des instruments de musique comme des sistres

nũmama choir singapore singapore singapore facebook - Nov 12 2022

web nũmama choir singapore singapore 484 likes 36 talking about this 32 were here nũmama choir is a non audition community choir open to all women

la musique numa c rique wrbb neu - Dec 13 2022

web la musique numa c rique 1 la musique numa c rique thank you very much for reading la musique numa c rique as you may know people have look numerous times for their favorite readings like this la musique numa c rique but end up in malicious downloads rather than enjoying a good book with a cup of coffee in the afternoon

la musique numa c rique mail lafamigliawv - Mar 16 2023

web recherches sur l analogie de la musique avec les arts qui ont pour objet l imitation du langage pour servir d introduction a l etude des principes naturels de cet art histoire de la chaussure de la cordonnerie et des cordonniers célèbres depuis

les musiciens et la transformation numa c rique u copy - Feb 15 2023

web les instruments à archet dans les musiques du xxe siècle camion blanc formation et transformation du langage musical la musique les musiciens et la transformation numa c rique u downloaded from admision cbp edu pe by guest kade houston biographie universelle des musiciens et bibliographie générale de la musique editions

la musique numa c rique cyberlab sutd edu sg - Oct 23 2023

web la musique numa c rique scientific sources and teaching contexts throughout history problems and perspectives mar 10 2023 this book examines the textual social cultural practical and institutional environments to which the expression teaching and learning contexts refers

la musique numérique by thierry demougin reserve lasd org - Jul 08 2022

web rca pritel accessoire pour l namur la nouvelle branche du caf num rique marketing nero 8 ultra edition 8 2 8 0 serials torrent sur cpasbien tlcharger les lgendaires tome 10 francais pdf correction raa par un filtre num rique biblio manuels tous vos livres scolaires en version enfants et adolescents face au numa a c rique ment les

la musique numa c rique pdf download only support ortax - Aug 21 2023

web the collection highlights the cultural practices that link music with labor in sukuma communities in northwestern tanzania these linkages are evident in the music of the elephant snake and porcupine hunting associations that flourished in the precolonial epoch in the nineteenth century

la vida c o numa c rique pdf bb bravewords - Apr 17 2023

web 24 11 2023 by guest 1 6 la vida c o numa c rique la vida c o numa c rique papyrus is the story of the book s journey from oral tradition to scrolls to and culture wade s fresh look at the way music transforms and is transformed by ideologies of race nation sexuality tradition and modernity is the first book length study of colombian

la musique numa c rique uniport edu - Aug 09 2022

web jun 26 2023 invest little time to right to use this on line statement la musique numa c rique as with ease as evaluation them wherever you are now recherches sur l analogie de la musique avec les arts qui ont pour objet l imitation du langage pour servir d introduction a l etude des principes naturels de cet art guillaume andré villoteau 1807

la musique numérique by thierry demougin help discoveram - Jun 07 2022

web may 17 2023 enfants et adolescents face au numa a c rique ment les les jeunes offline et la fracture num rique en belgique tlcharger adobe photoshop lightroom 2 5 fr sur cpasbien la photographie du daguerra a c otype au numa a c rique numa connectique tv hdmi rca pritel accessoire pour l pav num rique bluetooth parer les prix pour pav

la musique numa c rique pdf pdf bukuclone ortax - May 18 2023

web music as multimodal discourse semiotics power and protest considers musical sound as multimodal communication examining the interacting meaning potential of sonic aspects such as rhythm instrumentation pitch tonality melody and their interrelationships with text image and other modes drawing upon and extending the conceptual territory

musique sacrée à notre dame de paris - Apr 05 2022

web avec le choeur d enfants de la maîtrise festival sacrée musique var 25 26 novembre 2023 réservations slide 1 sankta

lucia Noël suédois mardi 5 décembre 2023 20h30 église saint sulpice paris 6e réservations slide 1 découvrez notre dernière vidéo

la musique numa c rique api dsw ibbu edu ng - Oct 11 2022

web under as capably as review la musique numa c rique what you taking into consideration to read catalogue général de la librairie française 1840 1875 table des matières otto henri lorenz 1880 les annales du theatre et de la musique m charles garnier 1884 nouvelle biographie universelle depuis les temps les plus reculés jusqu'à nos

notre musique wikipedia - May 06 2022

web notre musique english our music is a 2004 film directed by jean luc godard the film reflects on violence morality and the representation of violence in film and touches especially on past colonialism and the current israeli palestinian conflict it was screened out of competition at the 2004 cannes film festival notre musique received positive

pdf l a c dition a l a re numa c rique - Jan 14 2023

web l a c dition a l a re numa c rique a l a lvl 10 official video youtube jul 29 2022 web feb 2 2020 a l a flouss isar official video by a l a a l a lvl 10 available now fanlink to lvl10prod by mahdi machfar therealmahdimachfar directed by slimbhy slimbhy editing by ahmed boxing de la hoya calls canelo vs charlo super boring and aug 06 2020

pdf virtuel a l ere du numa c rique le cina c ma est - Sep 22 2023

web les oeuvres faisant partie de cette collection ont a c ta c numa c risa c es par la bnf et sont pra c sentes sur gallica sa bibliothé que numa c rique en entreprenant de redonner vie a ces ouvrages au travers d une collection de livres ra c imprima c s a la demande nous leur donnons la possibilita c de rencontrer un public a c largi et

la musique numa c rique copy discover designlights - Jun 19 2023

web la musique numa c rique omb no edited by swanson gael collection j l beijers getty publications une réflexion sur la mise en scène contemporaine de l opéra l auteur critique la sonorisation des chanteurs la désynchronisation entre mise en scène et musique et le fait que les metteurs en scène prennent le dessus sur l opéra

les musiciens et la transformation numa c rique u - Mar 04 2022

web les musiciens et la transformation numa c rique u 1 les musiciens et la transformation numa c rique u composer au xxie siècle dreams to remember otis redding stax records and the transformation of southern soul dissertation abstracts international biographie universelle des musiciens et bibliographie générale de la musique

analyse numa c rique stage gapinc com - Jul 20 2023

web 4 analyse numa c rique 2023 01 01 told with heart pounding suspense and drawing on secret transcripts and unsealed files by an acclaimed author church of spies throws open the vatican s doors to reveal some of the most astonishing events in the history of the papacy riebling reveals here how the world s greatest moral institution

