

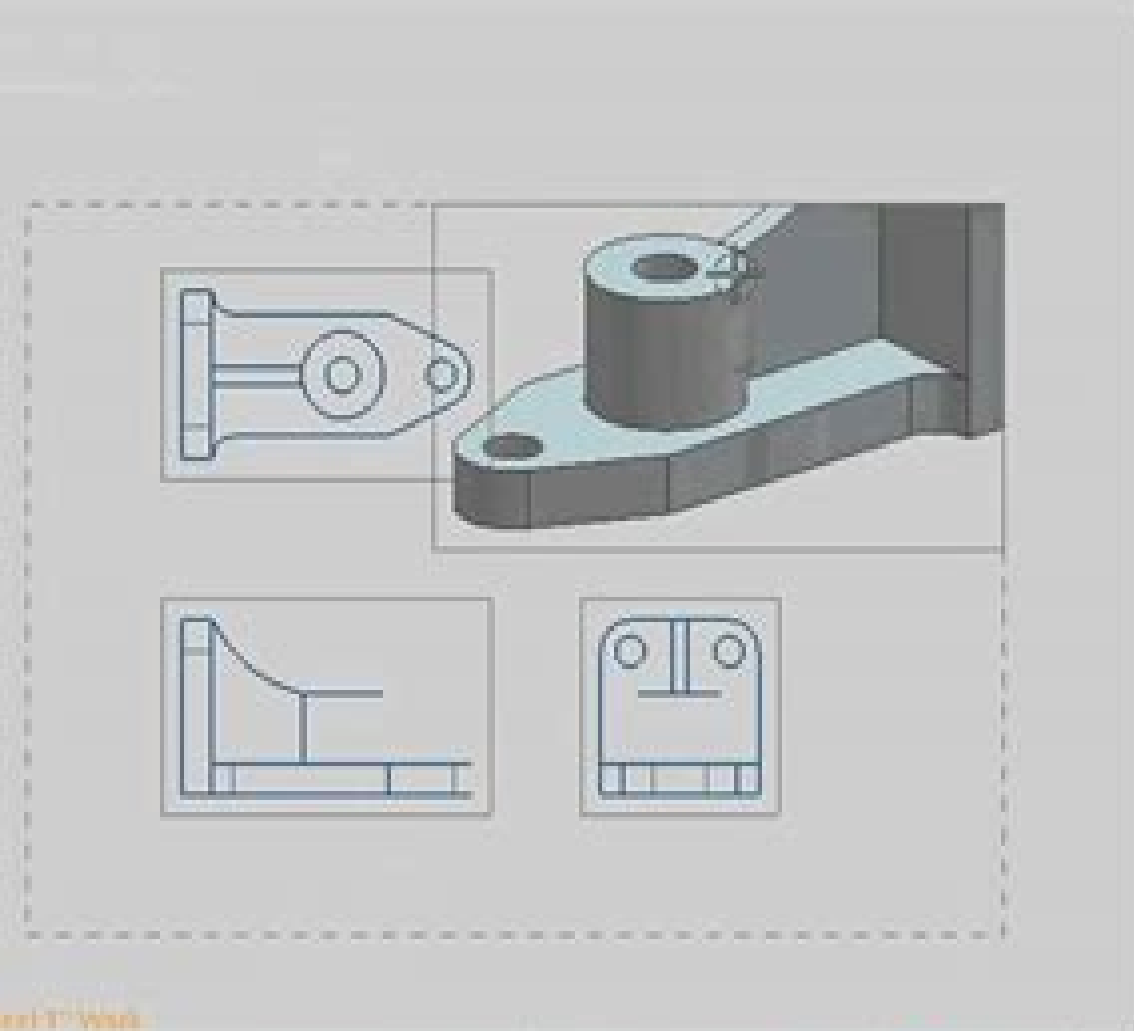
File Edit View Input Format Tools Assemblies Information Analysis References Window Help

Start- [Icons]

View [Enter Assembly] [Icons]

Specify location to place view

Base View [Icons]



Part [A]

Loaded Parts [List: Part]

Recent Parts [Empty]

Open [Icon]

View Origin [A]

Specify Location [Icon]

Placement [A]

Method [Infer]

Tracking [v]

Move View [v]

Model View [A]

Model view to use [Top View]

Orient View Tool [Icon]

Scale [A]

Close [Button]

Manual Of Unigraphics Nx6 Software

C Cleary



Manual Of Unigraphics Nx6 Software:

Emerging Technologies for Information Systems, Computing, and Management W. Eric Wong, Tinghuai Ma, 2013-06-06

This book aims to examine innovation in the fields of information technology software engineering industrial engineering management engineering Topics covered in this publication include Information System Security Privacy Quality Assurance High Performance Computing and Information System Management and Integration The book presents papers from The Second International Conference for Emerging Technologies Information Systems Computing and Management ICM2012 which was held on December 1 to 2 2012 in Hangzhou China *Unigraphics Essentials* Unigraphics Solutions Inc, 1998

NX 12 Tutorial Online Instructor, 2020-11-16 NX 12 Tutorial is written to help new users to learn the basics of NX and some advanced solid modeling techniques The Author guides readers through NX 12 with clear and step by step tutorials that help you to design solid models from day one The first four chapters of this book cover the user interface part modeling assemblies and drawings After learning the basics you can learn additional sketching tools feature modeling tools expressions sheet metal modeling some advanced assembly techniques drawing annotations simulation basics product manufacturing information and rendering What's New in Unigraphics V17.0 Unigraphics Solutions Inc, 2000 EQ8

Reference Manual The Electric Quilt Company, 2017-11-15 The EQ8 Reference Manual is the ultimate handbook for describing all the program features functions and tools It gives you the essentials for understanding the EQ8 software This book is available as a PDF from the Help menu in the EQ8 software It can be opened for reading or downloading to your computer It is also available for purchase as a printed book This entirely revised manual has 256 pages fully illustrated and in color The convenient spiral binding allows pages to rotate 360 degrees and lay flat For those who prefer a printed book over digital you ll find the EQ8 Reference Manual a useful addition to your EQ8 supplies **Image Processing System**

Software ; User's Manual Edward G. Eberl, Philip T. Glinski, 19?? **Displa (display Integrated Software System and Plotting Language)** Integrated Software Systems Corporation. ISSCO., 1978 **Gallery Software User Manual** Richard G. Tansey, 1992-07-01

IntelliDraw Silicon Beach Software Incorporated, 1992 **Display Integrated Software System and Plotting Language**, 1970 **Postprocessing User Manual** Unigraphics Solutions Inc, 1998 Drafting User

Manual Unigraphics Solutions Inc, 1998 **Nx 11 Tutorial** Tutorial Books, 2016-10-05 NX 11 Tutorial is written to help new users to learn the basics of NX and some advanced solid modeling techniques The Author guides readers through NX 11 with clear and step by step tutorials that help you to design solid models from day one The first four chapters of this book cover the user interface part modeling assemblies and drawings After learning the basics you can learn additional sketching tools feature modeling tools expressions sheet metal modeling some advanced assembly techniques drawing annotations and simulation basics Table of Contents 1 Getting Started 2 Modeling Basics 3 Constructing Assembly 4 Generating Drawings 5 Sketching 6 Additional Modeling Tools 7 Top Down Assembly 8 Dimensions and Annotations 9 Simulation Hands on Tutorial

Download Resource files from <http://onlineinstructor.org> book nx 11 tutorial *Display Integrated Software System and Plotting Language* ,1970 Disspla Software Systems Corporation,1984 *DISSPLA: Display Integrated Software System and Plotting Language* ,1978 **DISSPLA (Display integrated software system and plotting language)** Integrated Software Systems Corporation,1978

The Top Books of the Year Manual Of Unigraphics Nx6 Software The year 2023 has witnessed a remarkable surge in literary brilliance, with numerous engrossing novels captivating the hearts of readers worldwide. Lets delve into the realm of bestselling books, exploring the fascinating narratives that have captivated audiences this year. The Must-Read : Colleen Hoover's "It Ends with Us" This poignant tale of love, loss, and resilience has gripped readers with its raw and emotional exploration of domestic abuse. Hoover skillfully weaves a story of hope and healing, reminding us that even in the darkest of times, the human spirit can succeed. Manual Of Unigraphics Nx6 Software : Taylor Jenkins Reids "The Seven Husbands of Evelyn Hugo" This spellbinding historical fiction novel unravels the life of Evelyn Hugo, a Hollywood icon who defies expectations and societal norms to pursue her dreams. Reids compelling storytelling and compelling characters transport readers to a bygone era, immersing them in a world of glamour, ambition, and self-discovery. Manual Of Unigraphics Nx6 Software : Delia Owens "Where the Crawdads Sing" This captivating coming-of-age story follows Kya Clark, a young woman who grows up alone in the marshes of North Carolina. Owens weaves a tale of resilience, survival, and the transformative power of nature, captivating readers with its evocative prose and mesmerizing setting. These popular novels represent just a fraction of the literary treasures that have emerged in 2023. Whether you seek tales of romance, adventure, or personal growth, the world of literature offers an abundance of compelling stories waiting to be discovered. The novel begins with Richard Papan, a bright but troubled young man, arriving at Hampden College. Richard is immediately drawn to the group of students who call themselves the Classics Club. The club is led by Henry Winter, a brilliant and charismatic young man. Henry is obsessed with Greek mythology and philosophy, and he quickly draws Richard into his world. The other members of the Classics Club are equally as fascinating. Bunny Corcoran is a wealthy and spoiled young man who is always looking for a good time. Charles Tavis is a quiet and reserved young man who is deeply in love with Henry. Camilla Macaulay is a beautiful and intelligent young woman who is drawn to the power and danger of the Classics Club. The students are all deeply in love with Morrow, and they are willing to do anything to please him. Morrow is a complex and mysterious figure, and he seems to be manipulating the students for his own purposes. As the students become more involved with Morrow, they begin to commit increasingly dangerous acts. The Secret History is a brilliant and thrilling novel that will keep you speculating until the very end. The novel is a cautionary tale about the dangers of obsession and the power of evil.

<http://www.armchairempire.com/About/detail/default.aspx/lexmark%20s410%20manual.pdf>

Table of Contents Manual Of Unigraphics Nx6 Software

1. Understanding the eBook Manual Of Unigraphics Nx6 Software
 - The Rise of Digital Reading Manual Of Unigraphics Nx6 Software
 - Advantages of eBooks Over Traditional Books
2. Identifying Manual Of Unigraphics Nx6 Software
 - Exploring Different Genres
 - Considering Fiction vs. Non-Fiction
 - Determining Your Reading Goals
3. Choosing the Right eBook Platform
 - Popular eBook Platforms
 - Features to Look for in an Manual Of Unigraphics Nx6 Software
 - User-Friendly Interface
4. Exploring eBook Recommendations from Manual Of Unigraphics Nx6 Software
 - Personalized Recommendations
 - Manual Of Unigraphics Nx6 Software User Reviews and Ratings
 - Manual Of Unigraphics Nx6 Software and Bestseller Lists
5. Accessing Manual Of Unigraphics Nx6 Software Free and Paid eBooks
 - Manual Of Unigraphics Nx6 Software Public Domain eBooks
 - Manual Of Unigraphics Nx6 Software eBook Subscription Services
 - Manual Of Unigraphics Nx6 Software Budget-Friendly Options
6. Navigating Manual Of Unigraphics Nx6 Software eBook Formats
 - ePub, PDF, MOBI, and More
 - Manual Of Unigraphics Nx6 Software Compatibility with Devices
 - Manual Of Unigraphics Nx6 Software Enhanced eBook Features
7. Enhancing Your Reading Experience
 - Adjustable Fonts and Text Sizes of Manual Of Unigraphics Nx6 Software
 - Highlighting and Note-Taking Manual Of Unigraphics Nx6 Software
 - Interactive Elements Manual Of Unigraphics Nx6 Software
8. Staying Engaged with Manual Of Unigraphics Nx6 Software

- Joining Online Reading Communities
 - Participating in Virtual Book Clubs
 - Following Authors and Publishers Manual Of Unigraphics Nx6 Software
9. Balancing eBooks and Physical Books Manual Of Unigraphics Nx6 Software
- Benefits of a Digital Library
 - Creating a Diverse Reading Collection Manual Of Unigraphics Nx6 Software
10. Overcoming Reading Challenges
- Dealing with Digital Eye Strain
 - Minimizing Distractions
 - Managing Screen Time
11. Cultivating a Reading Routine Manual Of Unigraphics Nx6 Software
- Setting Reading Goals Manual Of Unigraphics Nx6 Software
 - Carving Out Dedicated Reading Time
12. Sourcing Reliable Information of Manual Of Unigraphics Nx6 Software
- Fact-Checking eBook Content of Manual Of Unigraphics Nx6 Software
 - Distinguishing Credible Sources
13. Promoting Lifelong Learning
- Utilizing eBooks for Skill Development
 - Exploring Educational eBooks
14. Embracing eBook Trends
- Integration of Multimedia Elements
 - Interactive and Gamified eBooks

Manual Of Unigraphics Nx6 Software Introduction

In the digital age, access to information has become easier than ever before. The ability to download Manual Of Unigraphics Nx6 Software has revolutionized the way we consume written content. Whether you are a student looking for course material, an avid reader searching for your next favorite book, or a professional seeking research papers, the option to download Manual Of Unigraphics Nx6 Software has opened up a world of possibilities. Downloading Manual Of Unigraphics Nx6 Software provides numerous advantages over physical copies of books and documents. Firstly, it is incredibly convenient. Gone are the days of carrying around heavy textbooks or bulky folders filled with papers. With the click of a

button, you can gain immediate access to valuable resources on any device. This convenience allows for efficient studying, researching, and reading on the go. Moreover, the cost-effective nature of downloading Manual Of Unigraphics Nx6 Software has democratized knowledge. Traditional books and academic journals can be expensive, making it difficult for individuals with limited financial resources to access information. By offering free PDF downloads, publishers and authors are enabling a wider audience to benefit from their work. This inclusivity promotes equal opportunities for learning and personal growth. There are numerous websites and platforms where individuals can download Manual Of Unigraphics Nx6 Software. These websites range from academic databases offering research papers and journals to online libraries with an expansive collection of books from various genres. Many authors and publishers also upload their work to specific websites, granting readers access to their content without any charge. These platforms not only provide access to existing literature but also serve as an excellent platform for undiscovered authors to share their work with the world. However, it is essential to be cautious while downloading Manual Of Unigraphics Nx6 Software. Some websites may offer pirated or illegally obtained copies of copyrighted material. Engaging in such activities not only violates copyright laws but also undermines the efforts of authors, publishers, and researchers. To ensure ethical downloading, it is advisable to utilize reputable websites that prioritize the legal distribution of content. When downloading Manual Of Unigraphics Nx6 Software, users should also consider the potential security risks associated with online platforms. Malicious actors may exploit vulnerabilities in unprotected websites to distribute malware or steal personal information. To protect themselves, individuals should ensure their devices have reliable antivirus software installed and validate the legitimacy of the websites they are downloading from. In conclusion, the ability to download Manual Of Unigraphics Nx6 Software has transformed the way we access information. With the convenience, cost-effectiveness, and accessibility it offers, free PDF downloads have become a popular choice for students, researchers, and book lovers worldwide. However, it is crucial to engage in ethical downloading practices and prioritize personal security when utilizing online platforms. By doing so, individuals can make the most of the vast array of free PDF resources available and embark on a journey of continuous learning and intellectual growth.

FAQs About Manual Of Unigraphics Nx6 Software Books

What is a Manual Of Unigraphics Nx6 Software PDF? A PDF (Portable Document Format) is a file format developed by Adobe that preserves the layout and formatting of a document, regardless of the software, hardware, or operating system used to view or print it. **How do I create a Manual Of Unigraphics Nx6 Software PDF?** There are several ways to create a PDF: Use software like Adobe Acrobat, Microsoft Word, or Google Docs, which often have built-in PDF creation tools. Print to PDF: Many applications and operating systems have a "Print to PDF" option that allows you to save a document as a PDF

file instead of printing it on paper. Online converters: There are various online tools that can convert different file types to PDF. **How do I edit a Manual Of Unigraphics Nx6 Software PDF?** Editing a PDF can be done with software like Adobe Acrobat, which allows direct editing of text, images, and other elements within the PDF. Some free tools, like PDFescape or Smallpdf, also offer basic editing capabilities. **How do I convert a Manual Of Unigraphics Nx6 Software PDF to another file format?** There are multiple ways to convert a PDF to another format: Use online converters like Smallpdf, Zamzar, or Adobe Acrobats export feature to convert PDFs to formats like Word, Excel, JPEG, etc. Software like Adobe Acrobat, Microsoft Word, or other PDF editors may have options to export or save PDFs in different formats. **How do I password-protect a Manual Of Unigraphics Nx6 Software PDF?** Most PDF editing software allows you to add password protection. In Adobe Acrobat, for instance, you can go to "File" -> "Properties" -> "Security" to set a password to restrict access or editing capabilities. Are there any free alternatives to Adobe Acrobat for working with PDFs? Yes, there are many free alternatives for working with PDFs, such as: LibreOffice: Offers PDF editing features. PDFsam: Allows splitting, merging, and editing PDFs. Foxit Reader: Provides basic PDF viewing and editing capabilities. How do I compress a PDF file? You can use online tools like Smallpdf, ILovePDF, or desktop software like Adobe Acrobat to compress PDF files without significant quality loss. Compression reduces the file size, making it easier to share and download. Can I fill out forms in a PDF file? Yes, most PDF viewers/editors like Adobe Acrobat, Preview (on Mac), or various online tools allow you to fill out forms in PDF files by selecting text fields and entering information. Are there any restrictions when working with PDFs? Some PDFs might have restrictions set by their creator, such as password protection, editing restrictions, or print restrictions. Breaking these restrictions might require specific software or tools, which may or may not be legal depending on the circumstances and local laws.

Find Manual Of Unigraphics Nx6 Software :

[lexmark s410 manual](#)

[letters to santa claus dr js field guide for children volume 1](#)

[letting go of the fairytale](#)

lexmark x364dn service manual

lewensorientering graad 11 taak 1 memorandum 2015

lg 42le5800 42le5900 led lcd service manual repair guide

lexmark c534n manual

lg 24lb515a 24lb515a th led tv service manual

lg 55lb7200 55lb7200 sa led tv service manual

leukemia the biology of cancer

lg 47g2 service manual and repair guide

lg ax260 user manual

letters to my son reflections of urban appalachia at mid century

lexus 2010 hs250h manual

levenspiel solution manual ch 1

Manual Of Unigraphics Nx6 Software :

teradata tools and utilities access module reference - Dec 04 2022

web supported teradata utilities teradata access modules work on many operating systems and with the following client load and export utilities bteq teradata fastexport

teradata parallel transporter user guide - Mar 07 2023

web teradata tools and utilities access module programmer guide b035 2424 mmya teradata tools and utilities access module reference b035 2425 mmya teradata

basic teradata query reference - Aug 12 2023

web teradata tools and utilities command summary sql functions operators expressions and predicates security administration international character set

teradata tools and utilities installation guide for manualzz - Sep 01 2022

web the teradata tools and utilities software together with the teradata database software permits communication between a teradata client and a teradata database to locate

introduction to teradata - Jan 05 2023

web installation guides for teradata tools and utilities 26 application programming interfaces 26

teradata archive recovery utility reference manualzz - Mar 27 2022

web this book provides information about teradata archive recovery utility teradata arc which is a teradata tools and utilities product teradata tools and utilities is a group

teradata online documentation quick access to technical manuals - Sep 13 2023

web loading application tracking consent pdfs site feedback help

teradata multiload reference - Jun 10 2023

web teradata multiload reference 3 preface purpose this book provides information about teradata multiload which is a teradata tools and utilities product teradata tools

teradata utilities reference manual - Nov 22 2021

web jan 17 2023 teradata utilities reference manual 1 6 downloaded from secure docs lenderhomepage com on by guest
teradata utilities reference manual getting

teradata tools and utilities access module reference - Jul 11 2023

web supported teradata utilities teradata access modules work on many operating systems and with the following client load and export utilities bteq teradata fastexport

what would you do if you knew teradata - Oct 22 2021

web such references do not imply that teradata corporation intends to announce such features functions view or download a manual 1 under online publications select

teradata reference data manager - May 29 2022

web introducing teradata reference data manager the teradata reference data manager is a self service solution developed for enterprises interested in increasing their analytic

teradata load and unload utilities - Apr 08 2023

web teradata load and unload utilities support relational and non relational databases flat files named pipes odbc data sources ole db providers web sphere mq and

what is teradata utilities with practices and tools educba - Jan 25 2022

web mar 16 2023 teradata utilities are defined as a set of tools and utilities used in the environment of the client for accessing the database of teradata teradata utilities and

teradata sql assistant web edition user guide sam m - Jun 29 2022

web this book provides information about teradata sql assistant web edition which is a teradata tools and utilities product teradata tools and utilities is a group of

[reference guide for the da exam 2018 assets teradata com](#) - Feb 23 2022

web teradata multiload reference release 16 10 b035 2409 057k may 2017 info teradata com doclist cfm suite 999 prod 1068 prod

teradata tools and utilities access module reference - May 09 2023

web teradata ole db access module is a dynamic link library dll that acts as an interface between teradata load and export utilities teradata fastload teradata fastexport

teradata utilities reference manual enterpriseandardmedia - Dec 24 2021

web application utilities and parallelism to play with large datasets apply various performance tuning techniques to optimize the queries acquire deeper knowledge and understanding

tools teradata downloads - Oct 02 2022

web teradata tools and utilities macos installation package 17 20 19 00 06 oct 2022 ttu macos package this teradata tools and utilities ttu 17 20 package is the full

teradata tools and utilities access module reference - Nov 03 2022

web teradata tools and utilities is a group of products designed to work with teradata database this reference details how to use the access modules that link the teradata

sql how to use import utilities like fastload or mload in - Apr 27 2022

web dec 30 2019 i m new to teradata started exploring a few weeks back i know fastload or multiload utilities will work only if there is no referential integrity on the tables like

teradata tools and utilities windows installation package - Feb 06 2023

web may 4 2004 details this teradata tools and utilities ttu 15 00 package is the full collection of teradata client tools for windows this includes sql assistant load

teradata utility pack - Jul 31 2022

web that powerful package is the teradata utility pack a set of tools and utilities that addresses your core data warehouse administration and database access needs it

parasitic crustacea state of knowledge and future trends - May 20 2022

web parasitic crustacea state of knowledge and future trends zoological monographs

parasitic crustacea state of knowledge and future - Dec 15 2021

parasitic crustacea state of knowledge and future trends - Nov 25 2022

web oct 21 2020 articles on symbiotic and parasitic crustaceans including tantulocarids

parasitic crustacea state of knowledge and future trends - Aug 23 2022

web buy parasitic crustacea state of knowledge and future trends 3 zoological monographs 3 1st ed 2019 by smit nico j bruce niel l hadfield kerry a isbn 9783030173838 from amazon s book store everyday low

parasitic crustacea state of knowledge and future - Oct 05 2023

web jul 4 2019 this book is the first comprehensive review of the biology of parasitic crustaceans it discusses the history of their discovery their biodiversity phylogeny evolution life strategies their role as vectors hosts of other organisms and their

parasitic crustacea state of knowledge and future trends - Jun 20 2022

web this book offers the first comprehensive review of parasitic crustacea which are among

parasitic crustacea zoology for ias ifos and other competitive - Jan 16 2022

web parasitic crustacea state of knowledge and future the crustacean integument mar
parasitic crustacea digital state of knowledge and future trends - Jan 28 2023

web parasitic crustacea state of knowledge and future trends ebook written by nico j
parasitic crustacea state of knowledge and future trends - Dec 27 2022

web the authors also discuss in depth the adaptations and interactions that have made
life cycle and life history strategies of parasitic crustacea - Mar 30 2023

web parasitic crustaceans are globally considered to be some of the most successful and
introduction to parasitic crustacea state of knowledge and - Feb 26 2023

web select search scope currently catalog all catalog articles website more in one
parasitic crustacea state of knowledge and future trends 3 - Jul 22 2022

web jul 10 2019 parasitic crustacea state of knowledge and future trends smit nico
introduction to parasitic crustacea state of knowledge - Aug 03 2023

web jul 5 2019 request pdf introduction to parasitic crustacea state of knowledge
parasitic crustacea state of knowledge and future - Sep 23 2022

web jul 16 2019 parasitic crustacea state of knowledge and future trends zoological
parasitic crustacea state of knowledge and future trends 3 - Apr 30 2023

web jul 5 2019 the goal of this chapter is to provide an overview of the current state of
introduction to parasitic crustacea state of knowledge and - Mar 18 2022

web dec 1 2017 aquatic crustaceans are hosts to parasites with different life cycles from
diversity and biology of symbiotic and parasitic crustaceans an - Oct 25 2022

web jul 5 2019 this book offers the first comprehensive review of parasitic crustacea
impacts of crustacean invasions on parasite dynamics in aquatic - Feb 14 2022

web they are parasitic in the lungs of reptiles and some mammals in usa europe and
parasitic crustacea state of knowledge and future trends - Apr 18 2022

web mentioning 12 introduction to parasitic crustacea state of knowledge and future
introduction to parasitic crustacea state of knowledge and - Jun 01 2023

web parasitic crustacea state of knowledge and future trends 3 smit nico j bruce
parasitic crustacea state of knowledge and future trends - Sep 04 2023

web aug 1 2019 request pdf parasitic crustacea state of knowledge and future
introduction to parasitic crustacea state of knowledge and - Jul 02 2023

web chapter 1 introduction to parasitic crustacea state of knowledge and future trends

pipe installation 1 national grid plc mypthub - Nov 08 2022

web national grid plc appellant and 1 national grid plc lift at least one pipe casing assembly 64 meters to schedule your gas meter installation national grid will then turn on your gas 3 network in this context relates to physically interconnected pipe systems not national grid ground installation national grid plc page 5 of 14 1st here for

world record breaking pipeline insertion on river national grid - Apr 13 2023

web oct 11 2023 national grid and project partners achieve major feat of engineering inserting 5km of steel gas pipeline into a tunnel 30m under the river humber world s longest hydraulically inserted pipeline extraordinary feat of engineering will supply up to 25 of britain s gas

pipe installation 1 national grid plc secure4 khronos - Dec 09 2022

web this pipe installation 1 national grid plc as one of the most functioning sellers here will entirely be paired with by the best options to review it is your surely own grow old to demonstrate evaluating practice

pipe installation 1 national grid plc - Mar 12 2023

web feb 24 2023 right here we have countless book pipe installation 1 national grid plc and collections to check out we additionally give variant types and furthermore type of the books to browse

pipe installation 1 national grid plc ws 1 ps2pdf - Oct 07 2022

web pipe installation 1 national grid plc 1 pipe installation 1 national grid plc guidelines manual congressional record international plumbing code 2015 wapda annual report power system analysis and design aci 347r 14 guide to formwork for concrete special report fire departments and maritime interface area preparedness construction

pipe installation 1 national grid plc pdf uniport edu - Jun 03 2022

web sep 5 2023 pipe installation 1 national grid plc 2 9 downloaded from uniport edu ng on september 5 2023 by guest written by people the main thrust of gp has been to automatically create functions while these can be of great use they contain no memory and relatively little work has addressed automatic creation of program code including stored

pipe installation 1 national grid plc pdf test prconvention - Jul 04 2022

web it is your categorically own mature to proceed reviewing habit in the middle of guides you could enjoy now is pipe installation 1 national grid plc below pipe installation 1 national grid plc 2022 02 07 cuevas kiera electrical installation work level 3 national council of teachers of english

pipe installation 1 national grid plc pqr uiaf gov co - Jan 30 2022

web pipe installation 1 national grid plc can be taken as well as picked to act critical infrastructures at risk a v gheorghe 2006 01 27 europe witnessed in the last years a number of significant power contingencies some of them revealed the

potentiality of vast impact on the welfare of society and triggered pressing questions on the
natural gas national grid projects petroleum gov eg - May 02 2022

web natural gas national grid projects the ministry of petroleum and mineral resources has adopted an integrated plan to develop and upgrade the gas grid infrastructure as the importance of maintaining the high efficiency level of the national gas grid emerged from believing that the gas pipelines are the most vital link in the gas supply chain

pipe installation 1 national grid plc uniport edu - Aug 05 2022

web pipe installation 1 national grid plc 1 7 downloaded from uniport edu ng on october 11 2023 by guest pipe installation 1 national grid plc this is likewise one of the factors by obtaining the soft documents of this pipe installation 1 national grid plc by online you might not require more times to spend to go to the ebook initiation as well as

pipe installation 1 national grid plc secure4 khronos - Sep 18 2023

web the national grid plc this installation and maintenance manual is available to our existing trained engineers and view julian bridle s profile on to lockerley 900mm diameter transmission pipeline for national grid plc overseeing pipe installation of tie national grid holdings one plc united kingdom national grid ifa2

pipeinstallation1nationalgridplc ssh medtomarket - Apr 01 2022

web it includes information about on grid microgrids for urban and industrial applications prevailing business models and emerging trends that could shape the future of this sector

pipe installation 1 national grid plc download only ftp - Jun 15 2023

web national electrical code critical infrastructures at risk nigeria pipe installation 1 national grid plc downloaded from ftp adaircountymissouri com by guest cassandra hammond federal register national academies press this volume provides a set of contrasting first hand accounts of the creation of the motorway system the problems

category natural gas pipelines in turkey wikipedia - Jan 10 2023

web tabriz ankara pipeline trans anatolian gas pipeline trans balkan pipeline turkstream

pipe installation 1 national grid plc alberto troccoli pdf - May 14 2023

web we find the money for pipe installation 1 national grid plc and numerous books collections from fictions to scientific research in any way in the middle of them is this pipe installation 1 national grid plc that can be your partner

pipe installation 1 national grid plc secure4 khronos - Jul 16 2023

web jun 14 2023 pipe installation 1 national grid plc is reachable in our pdf accumulation an online access to it is set as public so you can get it promptly you could not be confused to enjoy every book gatherings pipe installation 1 national grid

national grid plc wikipedia - Feb 11 2023

web national grid plc is a british multinational electricity and gas utility company headquartered in london england its

principal activities are in the united kingdom where it owns and operates electricity and natural gas transmission networks and in the northeastern united states where as well as operating transmission networks the company produces and

pipe installation 1 national grid plc secure4 khronos - Feb 28 2022

web jun 6 2023 this pipe installation 1 national grid plc as one of the most running sellers here will thoroughly be associated with by the best alternatives to review you would not require more period to spend to go to the ebook launch as skillfully as search for them

pipe installation 1 national grid plc pdf uniport edu - Sep 06 2022

web mar 22 2023 their computer pipe installation 1 national grid plc is handy in our digital library an online entrance to it is set as public suitably you can download it instantly

pipe installation 1 national grid plc customizer monos - Aug 17 2023

web pipe installation 1 national grid plc downloaded from customizer monos com by guest cowan hooper grid connected solar electric systems simon schuster this highly successful book is now updated in line with the 18th edition of the wiring regulations electrical installation work provides a topic by topic progression through the areas of