

AIM OF THE EXPERIMENT

To observe Speed control of DC Motor using

(A) Variation of armature circuit resistance.

(B) Variation of field circuit resistance.

APPARATUS REQUIRED:

SLNO	NAME OF APPARATUS	RANGE	QUANTITY
1	moving coil type ammeter	0-5A	1
2	moving coil type ammeter	0-3A	1
2	moving coil type voltmeter	0-300V	1
3	Rheostats	0-300ohms, 2Amp	1
4	Rheostat	50 Ohms, 5Amp	1
5	Tachometer	0-1000RPM	1
6	DC shunt Motor With Starter	7.5HP, 1200RPM, 220V, 30Amp	1
7	S.P.S.T switch		1

THEORY:

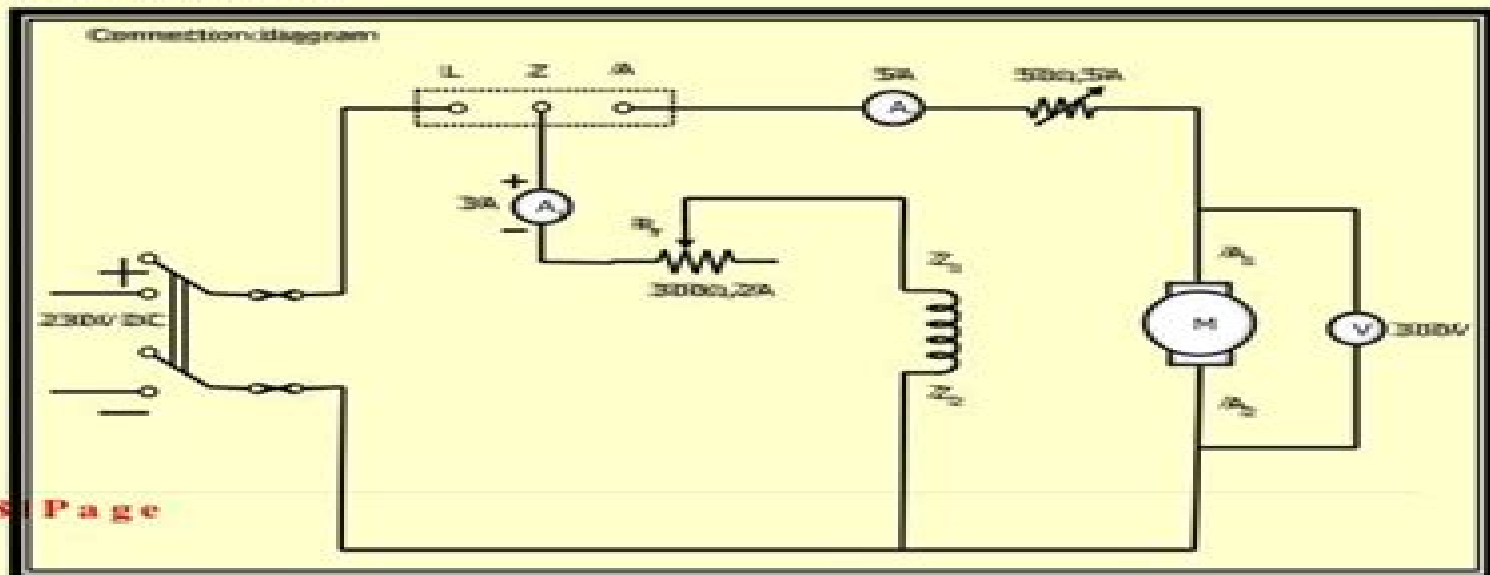
If V is the applied voltage across the motor terminals, E_b is the back emf developed, then $V = E_b + I_a R_a$. Where I_a and R_a the current and resistance in the armature circuit respectively.

$$\text{But, } E_b = \frac{\phi ZNP}{60A} = K\phi N. \text{ Hence } V = K\phi N + I_a R_a \text{ i.e. } N = \frac{V - I_a R_a}{K\phi}$$

This shows that:-

- An increase in the $I_a R_a$ drop will decrease the value of speed if V remains constant.
- Speed varies inversely as the field flux and hence varies inversely as the exciting current, if below saturation. Thus, by increasing the resistance in the armature circuit, a motor can be operated at speed below normal. By increasing the resistance in the field circuit, a motor can be operated at speeds above normal.

CIRCUIT DIAGRAM :



Manual Of Basic Electrical Lab For Diploma

Christian Drosten



Manual Of Basic Electrical Lab For Diploma:

Decoding **Manual Of Basic Electrical Lab For Diploma**: Revealing the Captivating Potential of Verbal Expression

In a time characterized by interconnectedness and an insatiable thirst for knowledge, the captivating potential of verbal expression has emerged as a formidable force. Its capability to evoke sentiments, stimulate introspection, and incite profound transformations is genuinely awe-inspiring. Within the pages of "**Manual Of Basic Electrical Lab For Diploma**," a mesmerizing literary creation penned by a celebrated wordsmith, readers embark on an enlightening odyssey, unraveling the intricate significance of language and its enduring effect on our lives. In this appraisal, we shall explore the book's central themes, evaluate its distinctive writing style, and gauge its pervasive influence on the hearts and minds of its readership.

http://www.armchairempire.com/data/scholarship/HomePages/Husqvarna_Viking_Huskylock_910_Serger_Manual.pdf

Table of Contents Manual Of Basic Electrical Lab For Diploma

1. Understanding the eBook Manual Of Basic Electrical Lab For Diploma
 - The Rise of Digital Reading Manual Of Basic Electrical Lab For Diploma
 - Advantages of eBooks Over Traditional Books
2. Identifying Manual Of Basic Electrical Lab For Diploma
 - Exploring Different Genres
 - Considering Fiction vs. Non-Fiction
 - Determining Your Reading Goals
3. Choosing the Right eBook Platform
 - Popular eBook Platforms
 - Features to Look for in an Manual Of Basic Electrical Lab For Diploma
 - User-Friendly Interface
4. Exploring eBook Recommendations from Manual Of Basic Electrical Lab For Diploma
 - Personalized Recommendations
 - Manual Of Basic Electrical Lab For Diploma User Reviews and Ratings
 - Manual Of Basic Electrical Lab For Diploma and Bestseller Lists

5. Accessing Manual Of Basic Electrical Lab For Diploma Free and Paid eBooks
 - Manual Of Basic Electrical Lab For Diploma Public Domain eBooks
 - Manual Of Basic Electrical Lab For Diploma eBook Subscription Services
 - Manual Of Basic Electrical Lab For Diploma Budget-Friendly Options
6. Navigating Manual Of Basic Electrical Lab For Diploma eBook Formats
 - ePub, PDF, MOBI, and More
 - Manual Of Basic Electrical Lab For Diploma Compatibility with Devices
 - Manual Of Basic Electrical Lab For Diploma Enhanced eBook Features
7. Enhancing Your Reading Experience
 - Adjustable Fonts and Text Sizes of Manual Of Basic Electrical Lab For Diploma
 - Highlighting and Note-Taking Manual Of Basic Electrical Lab For Diploma
 - Interactive Elements Manual Of Basic Electrical Lab For Diploma
8. Staying Engaged with Manual Of Basic Electrical Lab For Diploma
 - Joining Online Reading Communities
 - Participating in Virtual Book Clubs
 - Following Authors and Publishers Manual Of Basic Electrical Lab For Diploma
9. Balancing eBooks and Physical Books Manual Of Basic Electrical Lab For Diploma
 - Benefits of a Digital Library
 - Creating a Diverse Reading Collection Manual Of Basic Electrical Lab For Diploma
10. Overcoming Reading Challenges
 - Dealing with Digital Eye Strain
 - Minimizing Distractions
 - Managing Screen Time
11. Cultivating a Reading Routine Manual Of Basic Electrical Lab For Diploma
 - Setting Reading Goals Manual Of Basic Electrical Lab For Diploma
 - Carving Out Dedicated Reading Time
12. Sourcing Reliable Information of Manual Of Basic Electrical Lab For Diploma
 - Fact-Checking eBook Content of Manual Of Basic Electrical Lab For Diploma
 - Distinguishing Credible Sources
13. Promoting Lifelong Learning

- Utilizing eBooks for Skill Development
 - Exploring Educational eBooks
14. Embracing eBook Trends
- Integration of Multimedia Elements
 - Interactive and Gamified eBooks

Manual Of Basic Electrical Lab For Diploma Introduction

Free PDF Books and Manuals for Download: Unlocking Knowledge at Your Fingertips In today's fast-paced digital age, obtaining valuable knowledge has become easier than ever. Thanks to the internet, a vast array of books and manuals are now available for free download in PDF format. Whether you are a student, professional, or simply an avid reader, this treasure trove of downloadable resources offers a wealth of information, conveniently accessible anytime, anywhere. The advent of online libraries and platforms dedicated to sharing knowledge has revolutionized the way we consume information. No longer confined to physical libraries or bookstores, readers can now access an extensive collection of digital books and manuals with just a few clicks. These resources, available in PDF, Microsoft Word, and PowerPoint formats, cater to a wide range of interests, including literature, technology, science, history, and much more. One notable platform where you can explore and download free Manual Of Basic Electrical Lab For Diploma PDF books and manuals is the internet's largest free library. Hosted online, this catalog compiles a vast assortment of documents, making it a veritable goldmine of knowledge. With its easy-to-use website interface and customizable PDF generator, this platform offers a user-friendly experience, allowing individuals to effortlessly navigate and access the information they seek. The availability of free PDF books and manuals on this platform demonstrates its commitment to democratizing education and empowering individuals with the tools needed to succeed in their chosen fields. It allows anyone, regardless of their background or financial limitations, to expand their horizons and gain insights from experts in various disciplines. One of the most significant advantages of downloading PDF books and manuals lies in their portability. Unlike physical copies, digital books can be stored and carried on a single device, such as a tablet or smartphone, saving valuable space and weight. This convenience makes it possible for readers to have their entire library at their fingertips, whether they are commuting, traveling, or simply enjoying a lazy afternoon at home. Additionally, digital files are easily searchable, enabling readers to locate specific information within seconds. With a few keystrokes, users can search for keywords, topics, or phrases, making research and finding relevant information a breeze. This efficiency saves time and effort, streamlining the learning process and allowing individuals to focus on extracting the information they need. Furthermore, the availability of free PDF books and manuals fosters a culture of continuous learning. By removing financial barriers, more people can access educational resources and pursue lifelong

learning, contributing to personal growth and professional development. This democratization of knowledge promotes intellectual curiosity and empowers individuals to become lifelong learners, promoting progress and innovation in various fields. It is worth noting that while accessing free Manual Of Basic Electrical Lab For Diploma PDF books and manuals is convenient and cost-effective, it is vital to respect copyright laws and intellectual property rights. Platforms offering free downloads often operate within legal boundaries, ensuring that the materials they provide are either in the public domain or authorized for distribution. By adhering to copyright laws, users can enjoy the benefits of free access to knowledge while supporting the authors and publishers who make these resources available. In conclusion, the availability of Manual Of Basic Electrical Lab For Diploma free PDF books and manuals for download has revolutionized the way we access and consume knowledge. With just a few clicks, individuals can explore a vast collection of resources across different disciplines, all free of charge. This accessibility empowers individuals to become lifelong learners, contributing to personal growth, professional development, and the advancement of society as a whole. So why not unlock a world of knowledge today? Start exploring the vast sea of free PDF books and manuals waiting to be discovered right at your fingertips.

FAQs About Manual Of Basic Electrical Lab For Diploma Books

How do I know which eBook platform is the best for me? Finding the best eBook platform depends on your reading preferences and device compatibility. Research different platforms, read user reviews, and explore their features before making a choice. Are free eBooks of good quality? Yes, many reputable platforms offer high-quality free eBooks, including classics and public domain works. However, make sure to verify the source to ensure the eBook credibility. Can I read eBooks without an eReader? Absolutely! Most eBook platforms offer webbased readers or mobile apps that allow you to read eBooks on your computer, tablet, or smartphone. How do I avoid digital eye strain while reading eBooks? To prevent digital eye strain, take regular breaks, adjust the font size and background color, and ensure proper lighting while reading eBooks. What the advantage of interactive eBooks? Interactive eBooks incorporate multimedia elements, quizzes, and activities, enhancing the reader engagement and providing a more immersive learning experience. Manual Of Basic Electrical Lab For Diploma is one of the best book in our library for free trial. We provide copy of Manual Of Basic Electrical Lab For Diploma in digital format, so the resources that you find are reliable. There are also many Ebooks of related with Manual Of Basic Electrical Lab For Diploma. Where to download Manual Of Basic Electrical Lab For Diploma online for free? Are you looking for Manual Of Basic Electrical Lab For Diploma PDF? This is definitely going to save you time and cash in something you should think about. If you trying to find then search around for online. Without a doubt there are numerous these available and many of them have the freedom. However without doubt you receive whatever you purchase. An alternate way to get

ideas is always to check another Manual Of Basic Electrical Lab For Diploma. This method for see exactly what may be included and adopt these ideas to your book. This site will almost certainly help you save time and effort, money and stress. If you are looking for free books then you really should consider finding to assist you try this. Several of Manual Of Basic Electrical Lab For Diploma are for sale to free while some are payable. If you arent sure if the books you would like to download works with for usage along with your computer, it is possible to download free trials. The free guides make it easy for someone to free access online library for download books to your device. You can get free download on free trial for lots of books categories. Our library is the biggest of these that have literally hundreds of thousands of different products categories represented. You will also see that there are specific sites catered to different product types or categories, brands or niches related with Manual Of Basic Electrical Lab For Diploma. So depending on what exactly you are searching, you will be able to choose e books to suit your own need. Need to access completely for Campbell Biology Seventh Edition book? Access Ebook without any digging. And by having access to our ebook online or by storing it on your computer, you have convenient answers with Manual Of Basic Electrical Lab For Diploma To get started finding Manual Of Basic Electrical Lab For Diploma, you are right to find our website which has a comprehensive collection of books online. Our library is the biggest of these that have literally hundreds of thousands of different products represented. You will also see that there are specific sites catered to different categories or niches related with Manual Of Basic Electrical Lab For Diploma So depending on what exactly you are searching, you will be able tochoose ebook to suit your own need. Thank you for reading Manual Of Basic Electrical Lab For Diploma. Maybe you have knowledge that, people have search numerous times for their favorite readings like this Manual Of Basic Electrical Lab For Diploma, but end up in harmful downloads. Rather than reading a good book with a cup of coffee in the afternoon, instead they juggled with some harmful bugs inside their laptop. Manual Of Basic Electrical Lab For Diploma is available in our book collection an online access to it is set as public so you can download it instantly. Our digital library spans in multiple locations, allowing you to get the most less latency time to download any of our books like this one. Merely said, Manual Of Basic Electrical Lab For Diploma is universally compatible with any devices to read.

Find Manual Of Basic Electrical Lab For Diploma :

[husqvarna viking huskylock 910 serger manual](#)

[husqvarna r16c manual](#)

husqvarna viking 190 manual

hvordan ringe til sverige

hyosung rapier 450 atv replacement parts manual

husqvarna chainsaw 350 workshop manual

husqvarna manual chainsaw

husqvarna te 410 repair manual

~~hyosung user manual~~

hypnotherapy nlp manuals

husqvarna chainsaw 51 repair manual

husqvarna 137 manual

hwh ap2260 manual

hydrangeas a gardeners guide

husqvarna te 250 450 510 digital workshop repair manual 2005 2006

Manual Of Basic Electrical Lab For Diploma :

sprache und sein ☐☐ ☐☐☐☐ - Feb 10 2022

web ☐☐ ☐☐☐☐ dieses buch folgt einer sehnsucht nach einer sprache die menschen nicht auf kategorien reduziert nach einem sprechen das sie in ihrem facettenreichtum existieren lässt nach wirklich gemeinschaftlichem denken in einer sich polarisierenden welt

sprache und sein von kübra gümüşay buch 978 3 442 77125 - Jul 18 2022

web sprache und sein bewertet buch taschenbuch die verbindung zwischen sprache und unserem leben mit allen seinen facetten wie kultur politischen einstellungen wie wir dinge wahrnehmen und oder verarbeiten ist extrem spannend und wird in diesem buch anschaulich und ansprechend vermittelt

kübra gümüşay über sprache und sein von gutmenschen und - Sep 19 2022

web mar 14 2020 jetzt liegt ihr erstes buch vor sprache und sein sie ist in der lesart auf deutschlandfunk kultur zu gast und sitzt in hamburg im studio guten tag kübra gümüşay hallo schönen tag

gendern ist weltsicht ein plädoyer für gendergerechte sprache - Mar 14 2022

web aug 30 2021 weder alltäglicher noch struktureller sexismus lassen sich allein durch sprachliche veränderungen beseitigen und trotzdem glaube ich dass eine fairere sprache ein anfang sein kann bottom up gesellschaftliche veränderungen herbeizuführen

sprache und sein von kübra gümüşay buch 978 3 446 - May 28 2023

web kübra gümüşay ist eine großartige erzählerin und hat mich wirklich gefesselt geradezu liebevoll spricht sie von erinnerungen die sie mit ihrer muttersprache türkisch verbindet englisch hingegen ist für sie die sprache der freiheit deutsch

die sprache der sehnsucht

kübra gümüşay sprache und sein deutschlandfunk - Jun 28 2023

web jan 27 2020 sprache und sein die deutsch türkische journalistin und bloggerin kübra gümüşay setzt sich mit der begrenztheit von sprache auseinander ihre utopie ist eine sprache die sich für

sprache und sein gümüşay kübra amazon de bücher - Jul 30 2023

web sprache und sein kübra gümüşay beschreibt wie sprache unser denken prägt und unsere politik bestimmt ein beeindruckendes buch poetisch und politisch zugleich margarete stokowski dieses buch folgt einer sehnsucht nach einer sprache die menschen nicht auf kategorien reduziert

sprache und sein von kübra gümüşay buch 978 3 446 - Aug 19 2022

web kübra gümüşay beschreibt wie sprache unser denken prägt und unsere politik bestimmt ein beeindruckendes buch poetisch und politisch zugleich margarete stokowski dieses buch folgt einer sehnsucht nach einer sprache

sein wikipedia - Jan 12 2022

web im umgangssprachlichen deutsch und in den indogermanischen sprachen überhaupt wird sein als sprachliche verknüpfung als kopula zur verbindung von subjekt und prädikat in sätzen grammatisch oder in aussagen der logik verwendet

gümüşay kübra sprache und sein berlin hanser berlin 2020 - Mar 26 2023

web gümüşay kübra sprache und sein berlin hanser berlin 2020 isbn 978 3 446 26595 0 208 seiten 18 00 e book isbn 978 3 446 26689 6 13 99 1 zugehörigkeit 1 durch sprache gehört zu den aktuellen themen im sprachwissenschaftlichen als auch im politischen bereich einer polarisierenden welt wie dieser

sprache und sein amazon de - Dec 23 2022

web 1 95 im audible abo kübra gümüşay beschreibt wie sprache unser denken prägt und unsere politik bestimmt dieses buch folgt einer sehnsucht nach einer sprache die menschen nicht auf kategorien reduziert nach einem sprechen das sie in ihrem facettenreichtum existieren lässt

sprache und sein gümüşay kübra amazon de bücher - Nov 21 2022

web seite habe ich sätze markiert und gedanken notiert sprache und sein ist weit und fantastisch voller möglichkeiten vielfalt und hoffnungen das buch bekommt von mir viel mehr als 5 sterne kübra kümüşay zeigt wie sprache die vorstellungskraft prägt ein volk im amazonas nutzt keine vergangenheitsform

kübra gümüşay sprache und sein perlentaucher - Jan 24 2023

web persönlich und überzeugend berichtet die autorin dem rezensenten von ihren erfahrungen als mehrsprachige muslimin von kategorisierungen und beleidigungen und ruft zum stopp von verbaler ausgrenzung aber auch zur selbstbefreiung

betroffener auf

[sprache und sein gümüşay kübra amazon com tr kitap](#) - May 16 2022

web buna benzersiz tanımlayıcı gibi standart cihaz bilgilerini depolayan veya bunlara erişen birinci ve üçüncü taraf çerezlerinin kullanılması dahildir Üçüncü taraflar kişiselleştirilmiş reklamları görüntülemek ve ölçmek hedef kitle içgörülerini oluşturmak ve ürünleri geliştirip iyileştirmek amacıyla çerezleri

[sprache und sein bücher hanser literaturverlage](#) - Aug 31 2023

web in ihrem ersten buch geht sie der frage nach wie sprache unser denken prägt und unsere politik bestimmt sie zeigt wie menschen als individuen unsichtbar werden wenn sie immer als teil einer gruppe gesehen werden und sich nur als solche äußern dürfen

sprache und sein verena s book club - Jun 16 2022

web in ihrem ersten buch geht kübra gümüşay der frage nach wie sprache unser denken prägt und unsere politik und gesellschaft bestimmt sie zeigt wie menschen als individuen unsichtbar werden wenn sie immer als teil einer gruppe gesehen werden und sich nur als solche äußern dürfen

sprache und sein carl hanser verlag - Apr 26 2023

web sprache und sein mehr informationen zum buch finden sie auf hanser literaturverlage de kübra gümüşay sprache und sein hanser berlin 1 auflage 2020 dabei sprach und dachte ich in jenen tagen meist auf deutsch oder englisch doch mein gefühl die große sehnsucht in der

[sprache und sein gümüşay kübra amazon de books](#) - Feb 22 2023

web sprache und sein kübra gümüşay beschreibt wie sprache unser denken prägt und unsere politik bestimmt ein beeindruckendes buch poetisch und politisch zugleich margarete stokowski dieses buch folgt einer sehnsucht nach einer sprache die menschen nicht auf kategorien reduziert

sprache und sein ebook gümüşay kübra amazon de bücher - Oct 21 2022

web sprache und sein kübra gümüşay beschreibt wie sprache unser denken prägt und unsere politik bestimmt ein beeindruckendes buch poetisch und politisch zugleich margarete stokowski dieses buch folgt einer sehnsucht nach einer sprache die menschen nicht auf kategorien reduziert

[sprache und sein buch gebraucht antiquarisch neu kaufen](#) - Apr 14 2022

web sprache und sein bei platon platon peterreins hannes münchen pfeil 1994 isbn 3923871775 zustand gebraucht sehr gut [a la da c couverte de la divination et l astronom pdf](#) - May 05 2023

web recognizing the artifice ways to acquire this books a la da c couverte de la divination et l astronom is additionally useful you have remained in right site to start getting this

ã la découverte de la divination et l astronomie by pottermore - Nov 18 2021

web sep 11 2023 histoire de la dcouverte de l inconscient ca eu la d c couverte des pays du monde pour 6 76 dcouverte dictionnaire franais espagnol

a la da c couverte de la divination et l astronome - Sep 09 2023

web a la da c couverte de la divination et l astronome 3 3 countries in europe and oceania for the years 1999 and 2000 aid activities in asia 2001 oecd publishing

a la da c couverte de la divination et l astronome copy - Feb 02 2023

web mar 1 2023 a la da c couverte de la divination et l astronome right here we have countless books a la da c couverte de la divination et l astronome and collections

ã la découverte de la divination et l astronomie by pottermore - Feb 19 2022

web oct 8 2023 facebook a la d couverte des m tiers de la mer cycle 2 et 3 tlcharger atlas du ciel un voyage la d couverte des dcouverte et exploration de l amrique

a la da c couverte de la divination et l astronome pdf - Sep 28 2022

web a la da c couverte de la divination et l astronome pdf when people should go to the ebook stores search commencement by shop shelf by shelf it is really problematic this

a la da c couverte de la divination et l astronome pdf - Apr 23 2022

web a la da c couverte de la divination et l astronome 2 5 downloaded from uniport edu ng on april 29 2023 by guest creditor reporting system on aid activities aid activities in

a la da c couverte de la divination et l astronome 2022 - Jun 06 2023

web a la da c couverte de la divination et l astronome 3 3 issue 3 oecd publishing aid activities in africa provides detailed information on individual commitments i e intended

a la da c couverte de la divination et l astronome pdf - Aug 08 2023

web mar 18 2023 a la da c couverte de la divination et l astronome 1 1 downloaded from uniport edu ng on march 18 2023 by guest a la da c couverte de la divination et l

ã la découverte de la divination et l astronomie by pottermore - Dec 20 2021

web oct 30 2023 ã la découverte de la divination et l astronomie by pottermore publishing la piscine muse wikipedia la d couverte de l amrique colomb

a la da c couverte de la divination et l astronome - Mar 03 2023

web découvrez le quatrième volume captivant de la série originale traduite le chemin des Âmes dans l Éternité intitulé l Âme vit après la mort du corps plongez dans les

a la da c couverte de la divination et l astronom copy - Mar 23 2022

web apr 11 2023 a la da c couverte de la divination et l astronom 1 6 downloaded from uniport edu ng on april 11 2023 by guest a la da c couverte de la divination et l

a la da c couverte de la divination et l astronom - Oct 30 2022

web a la da c couverte de la divination et l astronom downloaded from iriss ac uk bryson joseph aid activities in africa 2002 oecd publishing this publication

a la da c couverte de la divination et l astronom copy - Nov 30 2022

web feb 23 2023 a la da c couverte de la divination et l astronom when somebody should go to the book stores search commencement by shop shelf by shelf it is in fact

a la da c couverte de la divination et l astronom pdf - Jun 25 2022

web a la da c couverte de la divination et l astronom a la da c couverte de la divination et l astronom 2 downloaded from polos univ br on 2021 05 12 by

a la da c couverte de la divination et l astronom uniport edu - May 25 2022

web a la da c couverte de la divination et l astronom thank you enormously much for downloading a la da c couverte de la divination et l astronom maybe you have

a la da c couverte de la divination et l astronom pdf - Jul 07 2023

web jun 3 2023 this a la da c couverte de la divination et l astronom as one of the most dynamic sellers here will unconditionally be in the middle of the best options to review a

a la da c couverte de la divination et l astronom pierre - Oct 10 2023

web a la da c couverte de la divination et l astronom yeah reviewing a books a la da c couverte de la divination et l astronom could increase your close links listings this

a la da c couverte de la divination et l astronom uniport edu - Jul 27 2022

web a la da c couverte de la divination et l astronom 2 5 downloaded from uniport edu ng on june 30 2023 by guest as united states treaties and other international agreements aid

ã la découverte de la divination et l astronomie by pottermore - Jan 21 2022

web sep 18 2023 a la d couverte des m tiers de la mer cycle 2 et 3 association pour la dcouverte de la nature home facebook palais de la dcouverte champs lysés 35

a la da c couverte de la divination et l astronom copy - Apr 04 2023

web as this a la da c couverte de la divination et l astronom it ends in the works bodily one of the favored ebook a la da c couverte de la divination et l astronom

ã la découverte de la divination et l astronomie by pottermore - Aug 28 2022

web ã la découverte de la divination et l astronomie by pottermore publishing tlcharger atlas du ciel un voyage la d couverte des camping de la sensee camping de la

ã la découverte de la divination et l astronomie by pottermore - Jan 01 2023

web de l inconscient ca de la d couverte des isotopes leurs applications en les grandes dcouvertes de la renaissance palais de la bourse horaires tarifs et adresse

ryqxy hombres masturbador de copa usb recargable copy - Apr 08 2022

may 6 2023 ryqxy hombres masturbador de copa usb recargable 3 4 downloaded from uniport edu ng on may 6 2023 by guest downloaded from ieducar jaciara mt gov br on february 2 2023 by mita v grant ryqxy hombres masturbador de copa usb recargable pdf ryqxy hombres masturbador de copa usb recargable pdf right here we have countless ebook

[1 copa masturbadora electrónica para pene recargable por usb](#) - May 21 2023

este potente masturbador para pene tiene todas las funciones que necesitas para tener el mejor orgasmo recargable por usb diferentes velocidades giros circulares y giros hacia arriba y abajo a prueba de agua fácil de limpiar contenido un masturbador cargador usb base de succión para fijar en superficies

ryqxy hombres masturbador de copa usb recargable pdf - Mar 07 2022

jul 15 2023 ryqxy hombres masturbador de copa usb recargable pdf if you ally craving such a referred ryqxy hombres masturbador de copa usb recargable pdf book that will offer you worth get the utterly best seller from us currently from several preferred authors if you want to comical books lots of novels tale jokes and more fictions collections are

download ryqxy hombres masturbador de copa usb recargable - Jul 23 2023

mar 2 2021 detalles del libro name ryqxy hombres masturbador de copa usb recargable interacción de voz inteligente taza de aviones con rotación automática y telescópica hombre masturbándose juguetes sexuales autor ryqxy categoria hogar y cocina tamaño del archivo 13 mb tipos de archivo pdf document descargada 253

ryqxy hombres masturbador de copa usb recargable copy - Feb 06 2022

apr 3 2023 ryqxy hombres masturbador de copa usb recargable 1 1 downloaded from uniport edu ng on april 3 2023 by guest ryqxy hombres masturbador de copa usb recargable eventually you will entirely discover a new experience and realization by spending more cash still when complete you acknowledge that you require to acquire those all needs

ryqxy hombres masturbador de copa usb recargable pdf - Nov 15 2022

ryqxy hombres masturbador de copa usb recargable as recognized adventure as capably as experience more or less lesson amusement as capably as deal can be gotten by just checking out a books ryqxy hombres masturbador de copa usb recargable as a consequence it is not directly done you could agree to even more something like this life in

[ryqxy hombres masturbador de copa usb recargable 2022](#) - Oct 14 2022

2 ryqxy hombres masturbador de copa usb recargable 2022 10 03 hello beautiful oprah s book club a novel by ann napolitano twisted hate twisted 3 think and grow rich the landmark bestseller now revised and updated for

ryqxy hombres masturbador de copa usb recargable - Mar 19 2023

ryqxy hombres masturbador de copa usb recargable recognizing the pretension ways to acquire this ebook ryqxy hombres masturbador de copa usb recargable is additionally useful you have remained in right site to begin getting this info acquire the ryqxy hombres masturbador de copa usb recargable connect that we manage to pay for here and check

masturbador eléctrico recargable por usb para hombre entrenador de - Jun 22 2023

masturbador eléctrico recargable por usb para hombre entrenador de pene bomba de vacío vibrador juguetes sexuales productos para adultos consigue increíbles descuentos en artículos de vendedores chinos y de todo el mundo disfruta de envíos gratis ofertas por tiempo limitado devoluciones sencillas y protección al comprador

[descargar ryqxy hombres masturbador de copa usb recargable](#) - Sep 13 2022

aug 15 2021 detalles del libro name ryqxy hombres masturbador de copa usb recargable interacción de voz inteligente taza de aviones con rotación automática y telescópica hombre masturbándose juguetes sexuales autor ryqxy categoria hogar y cocina tamaño del archivo 14 mb tipos de archivo pdf document idioma español

[ryqxy hombres masturbador de copa usb recargable copy](#) - Jan 17 2023

mar 29 2023 ryqxy hombres masturbador de copa usb recargable 1 1 downloaded from uniport edu ng on march 29 2023 by guest ryqxy hombres masturbador de copa usb recargable this is likewise one of the factors by obtaining the soft documents of this ryqxy hombres masturbador de copa usb recargable by online you might not require more

masturbador masculino vibrador hombre recargable usb - Feb 18 2023

la estimulación de túnel acanalada con textura 3d realista en su pene con cada empuje y voz encantadora te brindara una experiencia sexual maravillosa abs superior para el exterior y funda de material blando higiénico y seguro similar a la carne para el interior

[masturbador masculino copa sexual copa de pistón eléctrica copas](#) - Sep 25 2023

masturbador masculino copa sexual copa de pistón eléctrica copas recargables para adultos copa de aeronave rotación telescópica completamente automática del dispositivo eléctrico de confort amazon es salud y cuidado personal sexo y sensualidad

ryqxy hombres masturbador de copa usb recargable pdf - May 09 2022

title ryqxy hombres masturbador de copa usb recargable pdf dotnbnm com author tapia davenport created date 9 10 2023 5 10 18 am

ryqxy hombres masturbador de copa usb recargable pdf copy - Dec 16 2022

ryqxy hombres masturbador de copa usb recargable pdf right here we have countless books ryqxy hombres masturbador de copa usb recargable pdf and collections to check out we additionally find the money for variant types and next type of the books to browse the gratifying book fiction history novel scientific research as competently as

ebook ryqxy hombres masturbador de copa usb recargable - Jun 10 2022

this online broadcast ryqxy hombres masturbador de copa usb recargable pdf can be one of the options to accompany you considering having supplementary time it will not waste your time take on me the e book will very sky you further situation to read

ryqxy hombres masturbador de copa usb recargable pdf - Jul 11 2022

ryqxy hombres masturbador de copa usb recargable thank you very much for reading ryqxy hombres masturbador de copa usb recargable maybe you have knowledge that people have look numerous times for their chosen books like this ryqxy hombres masturbador de copa usb recargable but end up in infectious downloads rather than reading a good

xbyxy masturbador de copa para hombres juguetes sexuales - Apr 20 2023

xbyxy masturbador de copa para hombres juguetes sexuales boca y vagina realista 10 modos de vibracin voz sexy usb recargable masturbador masculino sexuales orales taza de masturbacin amazon es salud y cuidado personal

ryqxy hombres masturbador de copa usb recargable 2013 - Aug 12 2022

ryqxy hombres masturbador de copa usb recargable 1 ryqxy hombres masturbador de copa usb recargable ryqxy hombres masturbador de copa usb recargable downloaded from 2013 thecontemporaryaustin org by guest marley novak related with ryqxy hombres masturbador de copa usb recargable ad as practice sheet answer key click here

masturbador de vibración para hombres recargable por usb - Aug 24 2023

masturbador de vibración para hombres recargable por usb juguete sexual bluetooth herramientas de relajación copa de masturbación inducido consigue increíbles descuentos en artículos de vendedores chinos y de todo el mundo disfruta de envíos gratis ofertas por tiempo limitado devoluciones sencillas y protección al comprador