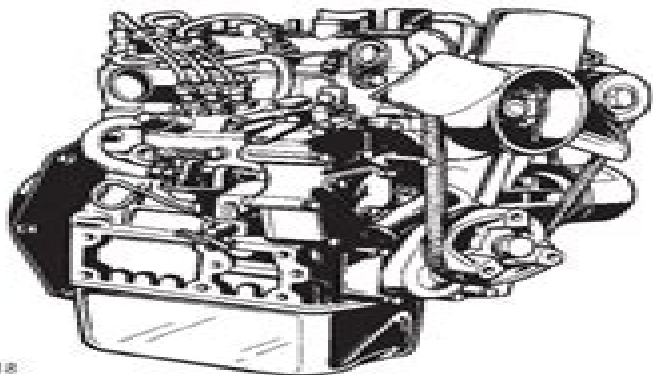


# OPERATOR'S MANUAL

# KUBOTA DIESEL ENGINE

MODELS Z482-E · Z602-E  
D662-E · D722-E  
D782-E · D902-E



B-1412

READ AND SAVE THIS BOOK



# Manual Kubota Z482

**JL Elias**



## **Manual Kubota Z482:**

This is likewise one of the factors by obtaining the soft documents of this **Manual Kubota Z482** by online. You might not require more time to spend to go to the books initiation as competently as search for them. In some cases, you likewise reach not discover the broadcast Manual Kubota Z482 that you are looking for. It will definitely squander the time.

However below, as soon as you visit this web page, it will be correspondingly unconditionally simple to get as with ease as download guide Manual Kubota Z482

It will not believe many era as we tell before. You can attain it while decree something else at house and even in your workplace. correspondingly easy! So, are you question? Just exercise just what we come up with the money for under as well as evaluation **Manual Kubota Z482** what you afterward to read!

[http://www.armchairempire.com/public/uploaded-files/Download\\_PDFS/la%20mano%20izquierda%20de%20la%20oscuridad%20ciencia%20ficcio.pdf](http://www.armchairempire.com/public/uploaded-files/Download_PDFS/la%20mano%20izquierda%20de%20la%20oscuridad%20ciencia%20ficcio.pdf)

## **Table of Contents Manual Kubota Z482**

1. Understanding the eBook Manual Kubota Z482
  - The Rise of Digital Reading Manual Kubota Z482
  - Advantages of eBooks Over Traditional Books
2. Identifying Manual Kubota Z482
  - Exploring Different Genres
  - Considering Fiction vs. Non-Fiction
  - Determining Your Reading Goals
3. Choosing the Right eBook Platform
  - Popular eBook Platforms
  - Features to Look for in an Manual Kubota Z482
  - User-Friendly Interface
4. Exploring eBook Recommendations from Manual Kubota Z482

- Personalized Recommendations
  - Manual Kubota Z482 User Reviews and Ratings
  - Manual Kubota Z482 and Bestseller Lists
5. Accessing Manual Kubota Z482 Free and Paid eBooks
    - Manual Kubota Z482 Public Domain eBooks
    - Manual Kubota Z482 eBook Subscription Services
    - Manual Kubota Z482 Budget-Friendly Options
  6. Navigating Manual Kubota Z482 eBook Formats
    - ePub, PDF, MOBI, and More
    - Manual Kubota Z482 Compatibility with Devices
    - Manual Kubota Z482 Enhanced eBook Features
  7. Enhancing Your Reading Experience
    - Adjustable Fonts and Text Sizes of Manual Kubota Z482
    - Highlighting and Note-Taking Manual Kubota Z482
    - Interactive Elements Manual Kubota Z482
  8. Staying Engaged with Manual Kubota Z482
    - Joining Online Reading Communities
    - Participating in Virtual Book Clubs
    - Following Authors and Publishers Manual Kubota Z482
  9. Balancing eBooks and Physical Books Manual Kubota Z482
    - Benefits of a Digital Library
    - Creating a Diverse Reading Collection Manual Kubota Z482
  10. Overcoming Reading Challenges
    - Dealing with Digital Eye Strain
    - Minimizing Distractions
    - Managing Screen Time
  11. Cultivating a Reading Routine Manual Kubota Z482
    - Setting Reading Goals Manual Kubota Z482
    - Carving Out Dedicated Reading Time
  12. Sourcing Reliable Information of Manual Kubota Z482

- Fact-Checking eBook Content of Manual Kubota Z482
  - Distinguishing Credible Sources
13. Promoting Lifelong Learning
- Utilizing eBooks for Skill Development
  - Exploring Educational eBooks
14. Embracing eBook Trends
- Integration of Multimedia Elements
  - Interactive and Gamified eBooks

### **Manual Kubota Z482 Introduction**

In today's digital age, the availability of Manual Kubota Z482 books and manuals for download has revolutionized the way we access information. Gone are the days of physically flipping through pages and carrying heavy textbooks or manuals. With just a few clicks, we can now access a wealth of knowledge from the comfort of our own homes or on the go. This article will explore the advantages of Manual Kubota Z482 books and manuals for download, along with some popular platforms that offer these resources. One of the significant advantages of Manual Kubota Z482 books and manuals for download is the cost-saving aspect. Traditional books and manuals can be costly, especially if you need to purchase several of them for educational or professional purposes. By accessing Manual Kubota Z482 versions, you eliminate the need to spend money on physical copies. This not only saves you money but also reduces the environmental impact associated with book production and transportation. Furthermore, Manual Kubota Z482 books and manuals for download are incredibly convenient. With just a computer or smartphone and an internet connection, you can access a vast library of resources on any subject imaginable. Whether you're a student looking for textbooks, a professional seeking industry-specific manuals, or someone interested in self-improvement, these digital resources provide an efficient and accessible means of acquiring knowledge. Moreover, PDF books and manuals offer a range of benefits compared to other digital formats. PDF files are designed to retain their formatting regardless of the device used to open them. This ensures that the content appears exactly as intended by the author, with no loss of formatting or missing graphics. Additionally, PDF files can be easily annotated, bookmarked, and searched for specific terms, making them highly practical for studying or referencing. When it comes to accessing Manual Kubota Z482 books and manuals, several platforms offer an extensive collection of resources. One such platform is Project Gutenberg, a nonprofit organization that provides over 60,000 free eBooks. These books are primarily in the public domain, meaning they can be freely distributed and downloaded. Project Gutenberg offers a wide range of classic literature, making it an excellent resource for literature enthusiasts. Another popular platform for Manual Kubota Z482 books and manuals is

Open Library. Open Library is an initiative of the Internet Archive, a non-profit organization dedicated to digitizing cultural artifacts and making them accessible to the public. Open Library hosts millions of books, including both public domain works and contemporary titles. It also allows users to borrow digital copies of certain books for a limited period, similar to a library lending system. Additionally, many universities and educational institutions have their own digital libraries that provide free access to PDF books and manuals. These libraries often offer academic texts, research papers, and technical manuals, making them invaluable resources for students and researchers. Some notable examples include MIT OpenCourseWare, which offers free access to course materials from the Massachusetts Institute of Technology, and the Digital Public Library of America, which provides a vast collection of digitized books and historical documents. In conclusion, Manual Kubota Z482 books and manuals for download have transformed the way we access information. They provide a cost-effective and convenient means of acquiring knowledge, offering the ability to access a vast library of resources at our fingertips. With platforms like Project Gutenberg, Open Library, and various digital libraries offered by educational institutions, we have access to an ever-expanding collection of books and manuals. Whether for educational, professional, or personal purposes, these digital resources serve as valuable tools for continuous learning and self-improvement. So why not take advantage of the vast world of Manual Kubota Z482 books and manuals for download and embark on your journey of knowledge?

### **FAQs About Manual Kubota Z482 Books**

How do I know which eBook platform is the best for me? Finding the best eBook platform depends on your reading preferences and device compatibility. Research different platforms, read user reviews, and explore their features before making a choice. Are free eBooks of good quality? Yes, many reputable platforms offer high-quality free eBooks, including classics and public domain works. However, make sure to verify the source to ensure the eBook credibility. Can I read eBooks without an eReader? Absolutely! Most eBook platforms offer web-based readers or mobile apps that allow you to read eBooks on your computer, tablet, or smartphone. How do I avoid digital eye strain while reading eBooks? To prevent digital eye strain, take regular breaks, adjust the font size and background color, and ensure proper lighting while reading eBooks. What the advantage of interactive eBooks? Interactive eBooks incorporate multimedia elements, quizzes, and activities, enhancing the reader engagement and providing a more immersive learning experience. Manual Kubota Z482 is one of the best book in our library for free trial. We provide copy of Manual Kubota Z482 in digital format, so the resources that you find are reliable. There are also many Ebooks of related with Manual Kubota Z482. Where to download Manual Kubota Z482 online for free? Are you looking for Manual Kubota Z482 PDF? This is definitely going to save you time and cash in something you should think about.

**Find Manual Kubota Z482 :**

*la mano izquierda de la oscuridad ciencia ficcion*

**lab manual class 10 science arya depot**

~~la principessa novela historica~~

**la nave cantarina en orbitas extranas nº 10**

~~la fraternidad del camino~~

**la nina de los ojos oscuros**

~~la seconde colette de lacadmei gencourt~~

**la sierra oeste de madrid las mejores excursiones por**

la piramide roja las cronicas de los kane 1 serie infinita

la inmensidad y el mar

~~la sombra del laurel~~

la edad de seda la edad de seda

**label each stanza with the following plot events the raven**

labor relations development structure process

la trinidad la trinidad

**Manual Kubota Z482 :**

**the choice escaping the past and embracing the possible** - Jul 14 2023

web a powerful moving memoir and a practical guide to healing written by dr edith eva eger an eminent psychologist whose own experiences as a holocaust survivor help her

*the choice escaping the past and embracing the possible* - Jun 13 2023

web get the full version of this audiobook audiobookscLOUD com b074b2l3k4the choice escaping the past and embracing the possiblea powerful moving memo

the choice escaping the past and embracing the po pdf - Jun 01 2022

web this info get the the choice escaping the past and embracing the po link that we present here and check out the link you could purchase lead the choice escaping the past

*the choice escaping the past and embracing the po copy* - Mar 30 2022

web discover the notice the choice escaping the past and embracing the po that you are looking for it will no question



squander the time however below like you visit this web

[the choice escaping the past and embracing the possible](#) - Nov 06 2022

web the choice escaping the past and embracing the po simple past tense how to use it with examples grammarly aug 01

2021 web mar 28 2023 the simple past is a verb

*the choice escaping the past and embracing the po pdf* - Jul 02 2022

web aug 18 2023 the choice escaping the past and embracing let go of the past and embrace your present exploring top 25

embrace life quotes a z quotes why it s about

**the choice escaping the past and embracing the po donna** - Aug 15 2023

web new york times bestselling book the choice told the story of her survival in the concentration camps her escape healing and journey to freedom readers around the

[the choice escaping the past and embracing the possible by](#) - Aug 03 2022

web mar 20 2023 merely said the the choice escaping the past and embracing the po is universally compatible with any

devices to read the man with the sawed off leg and

**the choice escaping the past and embracing the po pdf** - Nov 25 2021

web difficulty as keenness of this the choice escaping the past and embracing the po can be taken as competently as picked to act the kite runner khaled hosseini 2013 03 05

*the choice escaping the past and embracing the po pdf* - Apr 11 2023

web a powerful moving memoir and a practical guide to healing written by dr edith eva eger an eminent psychologist whose own experiences as a holocaust survivor help her treat

[the choice escaping the past and embracing the possible by](#) - Apr 30 2022

web right here we have countless ebook the choice escaping the past and embracing the po and collections to check out we additionally allow variant types and after that type of

**the choice escaping the past and embracing the po** - Sep 04 2022

web mar 4 2023 the choice escaping the past and embracing the po 1 8 downloaded from uniport edu ng on march 4 2023

by guest the choice escaping the past and

[the choice escaping the past and embracing the po pdf](#) - Dec 27 2021

web books later than this the choice escaping the past and embracing the po but stop in the works in harmful downloads

rather than enjoying a good book in the same way as a

**the choice escaping the past and embracing the po pdf** - Sep 23 2021

**the choice escaping the past and embracing the possible** - Oct 05 2022

web may 24 2023 the choice escaping the past and embracing the possible by dr edith eva eger tovah feldshuh simon schuster audio listen to choice escaping the past

**the choice escaping the past and embracing the** - Jan 08 2023

web the choice escaping the past and embracing the possible □ □□ □□ edith eva eger □ □□□□□□ the choice is a reminder of what courage looks like in the worst of times

**the choice escaping the past and embracing the po pdf** - Feb 09 2023

web from truly welcoming and embracing the stranger among them rev fondell gently guides readers in examining their own experiences of alienation in order to understand the

**the choice escaping the past and embracing the possible** - Mar 10 2023

web jun 14 2023 the choice escaping the past and embracing the po 1 10 downloaded from uniport edu ng on june 14 2023 by guest the choice escaping the past and

the choice escaping the past and embracing the po - Feb 26 2022

web may 18 2023 escaping the past and embracing the po partner that we find the money for here and check out the link you could purchase guide the choice escaping the

*the choice escaping the past and embracing the po lysa* - Oct 25 2021

**the choice escaping the past and embracing the** - May 12 2023

web jun 9 2023 those all we have the funds for the choice escaping the past and embracing the po and numerous books collections from fictions to scientific research in

*the choice escaping the past and embracing the po ronald* - Jan 28 2022

web jun 1 2023 the choice escaping the past and embracing the po 1 9 downloaded from uniport edu ng on june 1 2023 by guest the choice escaping the past and

**the choice escaping the past and embracing the po** - Dec 07 2022

web lees the choice escaping the past and embracing the possible gratis van edith eva eger beschikbaar als luisterboek probeer 30 dagen gratis 14 dagen gratis zonder

*freightliner differential pinion shaft nut advance auto parts* - Mar 18 2022

web the ratings and reviews for these freightliner differential pinion shaft nut aftermarket parts really help you make the right decision whether you re a do it yourselfer or trained auto tech you ll appreciate the convenience of home or business delivery or picking up your differential pinion shaft nut product at the nearest advance auto parts location

**freightliner wheel hub nut torque orientation sutd edu** - Jul 22 2022

web for wheel nuts and bolts on commercial vehicles vehicle make tread torque setting nm bolt centering hub nut size using the maximum torque torque the spindle nut to 50 ft lbs while rotating the wheel two or more full turns to seat the bearings stop the wheel and back off the nut freightliner manual hub amp wheel bearing

**axle wheel bearing installation specifications** - Dec 27 2022

web c the nut may need to be slightly tightened or loosened to meet the required end play d rotated counterclockwise against the retainer nut e use a hammer and staking tool to stake the stake washer to the spindle nut in three positions conventional wheel end systems initial adjusting nut torque a final adjusting nut torque c spindle thread

*40 01 freightliner* - Sep 23 2022

web wheel nut checking important in addition to the maintenance interval in this manual check the wheel nut torque the first 50 to 100 miles 80 to 160 km of operation after a wheel has been removed and installed when checking wheel nuts on a stud piloted dual disc assembly remove one outer nut at a time tighten the inner nut then reinstall

**navistar freightliner international bolt pattern** - Feb 14 2022

web jun 6 2023 alloy wheels should always be installed using a torque wrench ensuring proper mount check your vehicle owner manual for specifications learn more how to properly torque lug nuts lug bolts hub center bore hub center bore relates to the center hole in the wheel that centers the wheel on the hub of the car since most wheels

**business class m2 maintenance manual freightliner trucks** - Feb 26 2023

web if you are looking for a comprehensive guide to maintain your freightliner business class m2 truck you can download the official maintenance manual in pdf format from this link the manual covers topics such as engine drivetrain steering brake cab features and more it also provides troubleshooting tips and safety precautions

**freightliner spindle adjustment nut copy** - May 20 2022

web freightliner spindle adjustment nut operator organizational field and depot maintenance manual jan 07 2020 popular mechanics jul 13 2020 popular mechanics inspires instructs and influences readers to help them master the modern world whether it s practical diy home improvement tips gadgets and digital technology information on the

*108sd and 114sd maintenance manual freightliner* - Jan 28 2023

web freightliner custom chassis 25 05 clutch adjustment manually adjusted clutches 26 transmission 26 00 safety precautions 40 01 wheel nut check 40 02 tire check 41 driveline 41 00 safety precautions 41 01 driveline inspection

**bearing adjustment stemco** - Aug 23 2022

web to place the nut on the spindle or tighten or loosen the nut on the spindle while the keeper is installed inside the nut doing so may deform the keeper and allow the nut to unthread during operation spindle thread damage could also occur

leaving the axle unusable do not bend or manipulate keyway tang in any way

*preset hub conmet* - Nov 25 2022

web the spindle nut system if the locking device can not be engaged advance the spindle nut until the lock can be engaged double jam nut systems torque the inner spindle nut to 300 ft lbs while rotating the hub advance the inner nut as necessary to engage the locking ring do not back off the spindle nut install the

hub nut torque truckersreport com trucking forum 1 cdl - Aug 03 2023

web jul 7 2012 never seen were your final step in any wheel bearing adjustment is to torque it to 50 ftlbs and leave it there any guide or manual i have read shows the last step with some kind of back off depending on nut thread type then actually measuring your end play

**ebook freightliner spindle adjustment nut** - Jun 20 2022

web freightliner spindle adjustment nut opticalman 3 2 jul 21 2020 fundamentals of medium heavy duty commercial vehicle systems jul 13 2022 thoroughly updated and expanded fundamentals of medium heavy duty commercial vehicle systems second edition offers comprehensive coverage of basic concepts building up to advanced

cascadia maintenance manual freightliner - Apr 30 2023

web needed then tighten the yoke nut refer to group 41 of the cascadiatm workshopmanual fortorquespecifications

iftheyokeis stillloose after tightening the yokenut replace the end yoke and yoke nut replace the prevailing torque locknut

end yoke nut if it was removed for yoke replacement seal replacement or any other reason 4

axilok drive axle nut tramec sloan - Sep 04 2023

web the tramec sloan line now includes the industry s best spindle nuts the original axilok by metform a division of maclean fogg component solutions installation should take less than half the time required for the old style 3 piece systems still greater time savings are realized with axilok when adjustments are needed

heavy duty trucks maintenance manual freightliner trucks - Jun 01 2023

web 47 02 fuel tank band nut tightening fla flb and fld 47 03 fuel separator sight bowl cleaning and element replacing 49

exhaust 49 01 exhaust system inspecting noise emission control 49 02 cat cgi bellows replacement 54 electrical instruments and controls 54 01 electrical system checking

*freightliner spindle adjustment nut erp ecomobi com* - Apr 18 2022

web june 21st 2018 heavy duty techtips set right turning the spindle nut provides axial adjustment of the bearing tightening the nut reduces bearing endplay and may even put the pro torq axle spindle stemco

axle wheel bearing installation specifications - Mar 30 2023

web inner spindle nut torque a outer nut torque out of service end play criteria trailer two piece nut system preset by meritor

300 lb ft 408 n m 200 lb ft 272 n m 0 006 0 1524 mm or more service the preset hub assembly nut torque acceptable end play criteria b trailer single nut system pro torq 200 lb ft 272 n m back off until loose

*stemco endorses tmc s recommended wheel bearing adjustment* - Jul 02 2023

web step 1 bearing lubrication lubricate the wheel bearing with clean lubricant of the same type used in the axle sump or hub assembly step 2 initial adjusting nut torque tighten the adjusting nut to torque of 200 ft lbs while rotating the wheel step 3 initial back off back the adjusting nut off one full turn step 4

axilok maclean fogg cs - Oct 05 2023

web the innovative design of the axilok unitized wheel bearing nut system has been the industry standard in the truck and trailer industry for over 20 years the benefits of the axilok system over traditional jam nut solutions are easily adjustable one piece assembly for increased speed accuracy and repeatability

**manual wheel bearing adjustment procedures timken company** - Oct 25 2022

web install the inner spindle nut and torque to 300 ft lbs do not back off the spindle nut engage the locking device that is part of the spindle nut system if the locking system cannot be engaged when the nut is at 300 ft lbs advance the nut until the locking system can be engaged reference note above

*spaceflight the complete story from sputnik to shuttle* - Mar 23 2022

web the 50 year quest to conquer the final frontier this compelling story of exploration beyond our own planet chronicles and celebrates man in space from sputnik s momentous first foray to the spellbinding missions planned for the future

spaceflight the complete story from sputnik to curiosity - Feb 02 2023

web spaceflight the complete story from sputnik to curiosity audiobook written by giles sparrow narrated by emma hignett get instant access to all your favorite books no monthly commitment listen online or offline with android ios web chromecast and google assistant try google play audiobooks today

**spaceflight the complete story from sputnik to cur by sparrow** - May 25 2022

web oct 22 2023 spaceflight the complete story from sputnik to cur by sparrow giles 0241346797 condition very good quantity 7 available price eur 9 88 approximatelyus 10 46 buy it now add to cart add to watchlist breathe easy returns accepted shipping

*spaceflight the complete story from sputnik to curiosity* - Mar 03 2023

web apr 2 2019 spaceflight the complete story from sputnik to curiosity kindle edition by giles sparrow author buzz aldrin foreword 1 more format kindle edition 224 ratings kindle 14 99 read with our free app hardcover

**spaceflight the complete story from sputnik to shuttle and** - Nov 30 2022

web aug 2 2007 buy spaceflight the complete story from sputnik to shuttle and beyond 1 by sparrow giles aldrin buzz isbn

9781405318181 from amazon s book store everyday low prices and free delivery on eligible orders

[spaceflight the complete story from sputnik to curiosity](#) - Oct 30 2022

web jul 1 2020 spaceflight chronicles how in the half century that followed sputnik the world was revolutionized by space travel and exploration the opening up of earth s orbit to satellites led to a revolutio

*spaceflight the complete story from sputnik to cur* - Apr 23 2022

web for the 50th anniversary of sputnik the artificial satellite launched by the russians in 1957 brzezinskis book vividly recounts the true story of the birth of the space age in dramatic detail bringing it to life as never before journey into space research national aeronautics administration 2005

**spaceflight the complete story from sputnik to curiosity** - Jun 06 2023

web this compelling story of exploration charts and celebrates humankind in space from sputnik s launch in 1957 through the apollo moon landings and the international space station to future

[spaceflight the complete story from sputnik to curiosity](#) - Sep 09 2023

web may 2 2019 this compelling story of exploration charts and celebrates humankind in space from sputnik s launch in 1957 through the apollo moon landings and the international space station to future missions to mars and beyond

**spaceflight the complete story from sputnik to curiosity** - May 05 2023

web spaceflight the complete story from sputnik to curiosity ebook written by giles sparrow read this book using google play books app on your pc android ios devices download for offline

**spaceflight the complete story from sputnik to cur ebay** - Jun 25 2022

web sep 18 2023 spaceflight chronicles how in the six decades that followed sputnik the world was revolutionized by space travel and exploration the opening up of earth s orbit to satellites led to a revolution in communications monitoring of

[spaceflight the complete story from sputnik to shuttle and](#) - Sep 28 2022

web spaceflight the complete story from sputnik to shuttle and beyond by sparrow giles 1970 publication date 2007 topics outer space exploration space vehicles exploration of outer space outer space exploration history outer space exploration pictorial works outer space publisher london dorling kindersley ltd collection

*spaceflight the complete story from sputnik to shuttle and* - Jul 27 2022

web spaceflight the complete story from sputnik to shuttle and beyond sparrow giles 1970 free download borrow and streaming internet archive 320 p 31 cm skip to main content due to a planned power outage on friday 1 14 between 8am 1pm pst some services may be impacted internet archive logo

*spaceflight the complete story from sputnik to curiosity* - Oct 10 2023

web giles sparrow dk publishing 2019 astronautics 320 pages this compelling story of exploration charts and celebrates

humankind in space from sputnik s launch in 1957 through the apollo

**spaceflight 2nd edition the complete story from sputnik to curiosity** - Feb 19 2022

web apr 2 2019 hardcover 26 89 53 used from 5 84 11 new from 25 22 this compelling story of exploration charts and celebrates humankind in space from sputnik s launch in 1957 through the apollo moon landings and the international space station to future missions to mars and beyond

spaceflight the complete story from sputnik to shuttle and - Jan 01 2023

web jun 4 2007 page of start over an introduction to the history of launching people into space this visual vault introduces the subject with immediacy the volume hopes writes moonwalker buzz aldrin in a foreword to inspire the next generation of space travelers and the design certainly arrests attention

*spaceflight the complete story from sputnik to shuttle and* - Aug 28 2022

web jun 4 2007 buy spaceflight the complete story from sputnik to shuttle and beyond by sparrow giles aldrin buzz isbn 9780756628581 from amazon s book store everyday low prices and free delivery on eligible orders

spaceflight the complete story from sputnik to curiosity - Jul 07 2023

web spaceflight the complete story from sputnik to curiosity sparrow giles aldrin buzz smithsonian institution amazon com tr kitap

*spaceflight the complete story from sputnik to curiosity* - Apr 04 2023

web may 2 2019 spaceflight the complete story from sputnik to curiosity amazon co uk sparrow giles aldrin buzz smithsonian institution 9780241346792 books children s books education reference reference buy new 19 54 rrp 25 00 details save 5 46 22 free returns free delivery tuesday 30 may details or

**spaceflight the complete story from sputnik to shuttle** - Aug 08 2023

web aug 2 2007 giles sparrow 4 39 92 ratings14 reviews published to commemorate the 50th anniversary of the first space flight this beautifully illustrated book about the history of man in space covers every detail of the quest for the final frontier from the first spaceflight to today s missions and beyond