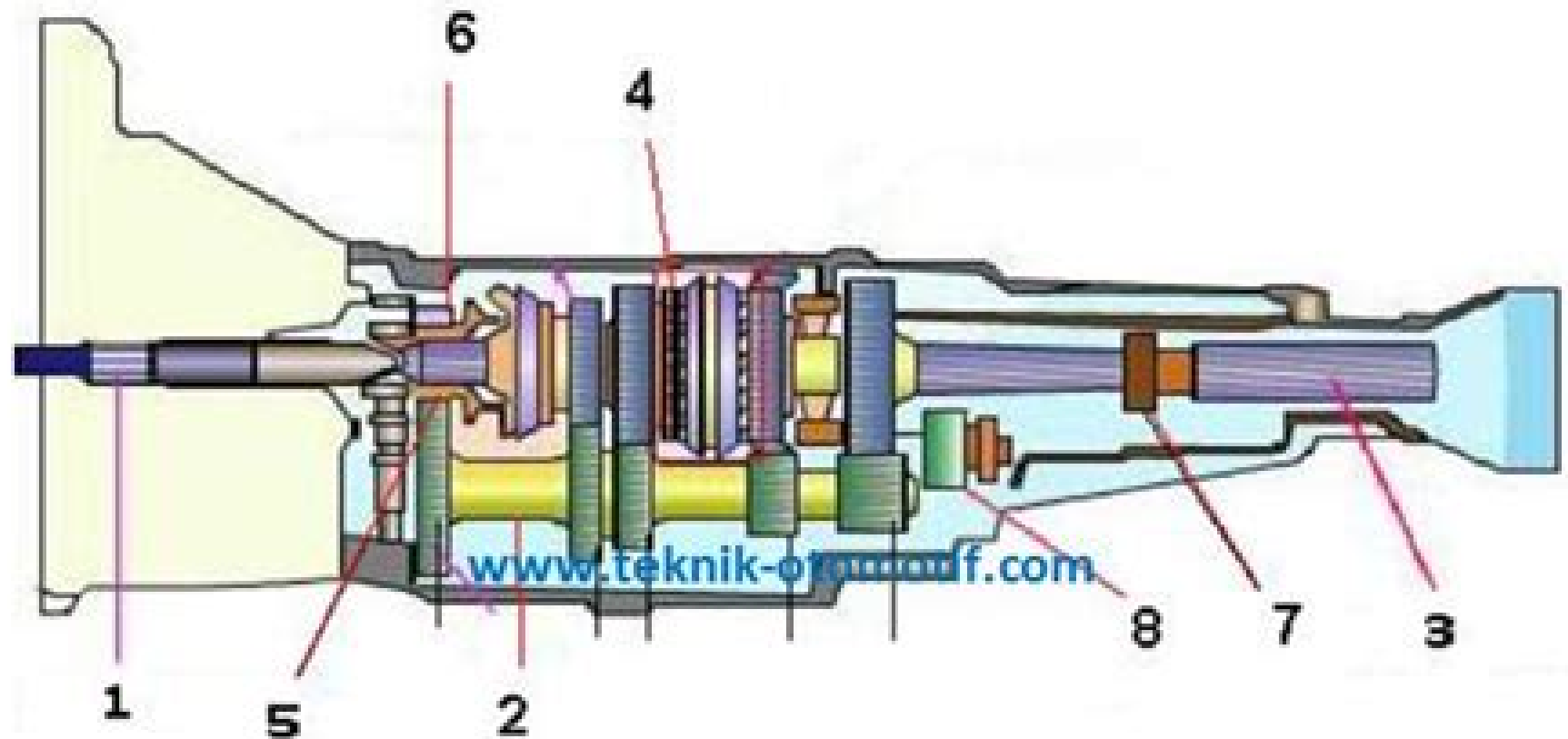


# Transmisi Manual 4 Kecepatan



Bagian – bagiannya :

1. Poros input
2. Poros bantu
3. Bantalan output
4. Unit sinkromes

5. Bantalan bola pada poros
6. Bantalan pilot
7. Gigi speedometer
8. Gigi balik

# Laporan Bagian Bagian Transmisi Manual Kendaraan

**Annelies Wilder-Smith**



## **Laporan Bagian Bagian Transmisi Manual Kendaraan:**

## Adopting the Tune of Phrase: An Mental Symphony within **Laporan Bagian Bagian Transmisi Manual Kendaraan**

In a world used by monitors and the ceaseless chatter of instant conversation, the melodic splendor and emotional symphony produced by the published word usually disappear into the back ground, eclipsed by the relentless sound and disturbances that permeate our lives. However, nestled within the pages of **Laporan Bagian Bagian Transmisi Manual Kendaraan** an enchanting literary prize full of fresh thoughts, lies an immersive symphony waiting to be embraced. Constructed by a wonderful musician of language, this captivating masterpiece conducts visitors on a psychological trip, well unraveling the hidden tunes and profound impact resonating within each cautiously crafted phrase. Within the depths with this poignant evaluation, we will examine the book is key harmonies, analyze their enthralling writing type, and submit ourselves to the profound resonance that echoes in the depths of readers souls.

[http://www.armchairempire.com/book/detail/fetch.php/manual\\_jump.pdf](http://www.armchairempire.com/book/detail/fetch.php/manual_jump.pdf)

### **Table of Contents Laporan Bagian Bagian Transmisi Manual Kendaraan**

1. Understanding the eBook Laporan Bagian Bagian Transmisi Manual Kendaraan
  - The Rise of Digital Reading Laporan Bagian Bagian Transmisi Manual Kendaraan
  - Advantages of eBooks Over Traditional Books
2. Identifying Laporan Bagian Bagian Transmisi Manual Kendaraan
  - Exploring Different Genres
  - Considering Fiction vs. Non-Fiction
  - Determining Your Reading Goals
3. Choosing the Right eBook Platform
  - Popular eBook Platforms
  - Features to Look for in an Laporan Bagian Bagian Transmisi Manual Kendaraan
  - User-Friendly Interface
4. Exploring eBook Recommendations from Laporan Bagian Bagian Transmisi Manual Kendaraan
  - Personalized Recommendations

- Laporan Bagian Bagian Transmisi Manual Kendaraan User Reviews and Ratings
- Laporan Bagian Bagian Transmisi Manual Kendaraan and Bestseller Lists
- 5. Accessing Laporan Bagian Bagian Transmisi Manual Kendaraan Free and Paid eBooks
  - Laporan Bagian Bagian Transmisi Manual Kendaraan Public Domain eBooks
  - Laporan Bagian Bagian Transmisi Manual Kendaraan eBook Subscription Services
  - Laporan Bagian Bagian Transmisi Manual Kendaraan Budget-Friendly Options
- 6. Navigating Laporan Bagian Bagian Transmisi Manual Kendaraan eBook Formats
  - ePub, PDF, MOBI, and More
  - Laporan Bagian Bagian Transmisi Manual Kendaraan Compatibility with Devices
  - Laporan Bagian Bagian Transmisi Manual Kendaraan Enhanced eBook Features
- 7. Enhancing Your Reading Experience
  - Adjustable Fonts and Text Sizes of Laporan Bagian Bagian Transmisi Manual Kendaraan
  - Highlighting and Note-Taking Laporan Bagian Bagian Transmisi Manual Kendaraan
  - Interactive Elements Laporan Bagian Bagian Transmisi Manual Kendaraan
- 8. Staying Engaged with Laporan Bagian Bagian Transmisi Manual Kendaraan
  - Joining Online Reading Communities
  - Participating in Virtual Book Clubs
  - Following Authors and Publishers Laporan Bagian Bagian Transmisi Manual Kendaraan
- 9. Balancing eBooks and Physical Books Laporan Bagian Bagian Transmisi Manual Kendaraan
  - Benefits of a Digital Library
  - Creating a Diverse Reading Collection Laporan Bagian Bagian Transmisi Manual Kendaraan
- 10. Overcoming Reading Challenges
  - Dealing with Digital Eye Strain
  - Minimizing Distractions
  - Managing Screen Time
- 11. Cultivating a Reading Routine Laporan Bagian Bagian Transmisi Manual Kendaraan
  - Setting Reading Goals Laporan Bagian Bagian Transmisi Manual Kendaraan
  - Carving Out Dedicated Reading Time
- 12. Sourcing Reliable Information of Laporan Bagian Bagian Transmisi Manual Kendaraan
  - Fact-Checking eBook Content of Laporan Bagian Bagian Transmisi Manual Kendaraan

- Distinguishing Credible Sources
13. Promoting Lifelong Learning
- Utilizing eBooks for Skill Development
  - Exploring Educational eBooks
14. Embracing eBook Trends
- Integration of Multimedia Elements
  - Interactive and Gamified eBooks

### **Laporan Bagian Bagian Transmisi Manual Kendaraan Introduction**

In today's digital age, the availability of Laporan Bagian Bagian Transmisi Manual Kendaraan books and manuals for download has revolutionized the way we access information. Gone are the days of physically flipping through pages and carrying heavy textbooks or manuals. With just a few clicks, we can now access a wealth of knowledge from the comfort of our own homes or on the go. This article will explore the advantages of Laporan Bagian Bagian Transmisi Manual Kendaraan books and manuals for download, along with some popular platforms that offer these resources. One of the significant advantages of Laporan Bagian Bagian Transmisi Manual Kendaraan books and manuals for download is the cost-saving aspect. Traditional books and manuals can be costly, especially if you need to purchase several of them for educational or professional purposes. By accessing Laporan Bagian Bagian Transmisi Manual Kendaraan versions, you eliminate the need to spend money on physical copies. This not only saves you money but also reduces the environmental impact associated with book production and transportation. Furthermore, Laporan Bagian Bagian Transmisi Manual Kendaraan books and manuals for download are incredibly convenient. With just a computer or smartphone and an internet connection, you can access a vast library of resources on any subject imaginable. Whether you're a student looking for textbooks, a professional seeking industry-specific manuals, or someone interested in self-improvement, these digital resources provide an efficient and accessible means of acquiring knowledge. Moreover, PDF books and manuals offer a range of benefits compared to other digital formats. PDF files are designed to retain their formatting regardless of the device used to open them. This ensures that the content appears exactly as intended by the author, with no loss of formatting or missing graphics. Additionally, PDF files can be easily annotated, bookmarked, and searched for specific terms, making them highly practical for studying or referencing. When it comes to accessing Laporan Bagian Bagian Transmisi Manual Kendaraan books and manuals, several platforms offer an extensive collection of resources. One such platform is Project Gutenberg, a nonprofit organization that provides over 60,000 free eBooks. These books are primarily in the public domain, meaning they can be freely distributed and downloaded. Project Gutenberg offers a wide range of classic literature, making it an excellent resource for literature

enthusiasts. Another popular platform for Laporan Bagian Bagian Transmisi Manual Kendaraan books and manuals is Open Library. Open Library is an initiative of the Internet Archive, a non-profit organization dedicated to digitizing cultural artifacts and making them accessible to the public. Open Library hosts millions of books, including both public domain works and contemporary titles. It also allows users to borrow digital copies of certain books for a limited period, similar to a library lending system. Additionally, many universities and educational institutions have their own digital libraries that provide free access to PDF books and manuals. These libraries often offer academic texts, research papers, and technical manuals, making them invaluable resources for students and researchers. Some notable examples include MIT OpenCourseWare, which offers free access to course materials from the Massachusetts Institute of Technology, and the Digital Public Library of America, which provides a vast collection of digitized books and historical documents. In conclusion, Laporan Bagian Bagian Transmisi Manual Kendaraan books and manuals for download have transformed the way we access information. They provide a cost-effective and convenient means of acquiring knowledge, offering the ability to access a vast library of resources at our fingertips. With platforms like Project Gutenberg, Open Library, and various digital libraries offered by educational institutions, we have access to an ever-expanding collection of books and manuals. Whether for educational, professional, or personal purposes, these digital resources serve as valuable tools for continuous learning and self-improvement. So why not take advantage of the vast world of Laporan Bagian Bagian Transmisi Manual Kendaraan books and manuals for download and embark on your journey of knowledge?

## **FAQs About Laporan Bagian Bagian Transmisi Manual Kendaraan Books**

**What is a Laporan Bagian Bagian Transmisi Manual Kendaraan PDF?** A PDF (Portable Document Format) is a file format developed by Adobe that preserves the layout and formatting of a document, regardless of the software, hardware, or operating system used to view or print it. **How do I create a Laporan Bagian Bagian Transmisi Manual Kendaraan PDF?** There are several ways to create a PDF: Use software like Adobe Acrobat, Microsoft Word, or Google Docs, which often have built-in PDF creation tools. Print to PDF: Many applications and operating systems have a "Print to PDF" option that allows you to save a document as a PDF file instead of printing it on paper. Online converters: There are various online tools that can convert different file types to PDF. **How do I edit a Laporan Bagian Bagian Transmisi Manual Kendaraan PDF?** Editing a PDF can be done with software like Adobe Acrobat, which allows direct editing of text, images, and other elements within the PDF. Some free tools, like PDFescape or Smallpdf, also offer basic editing capabilities. **How do I convert a Laporan Bagian Bagian Transmisi Manual Kendaraan PDF to another file format?** There are multiple ways to convert a PDF to another format: Use online converters like Smallpdf, Zamzar, or Adobe Acrobat's export feature to

convert PDFs to formats like Word, Excel, JPEG, etc. Software like Adobe Acrobat, Microsoft Word, or other PDF editors may have options to export or save PDFs in different formats. **How do I password-protect a Laporan Bagian Bagian Transmisi Manual Kendaraan PDF?** Most PDF editing software allows you to add password protection. In Adobe Acrobat, for instance, you can go to "File" -> "Properties" -> "Security" to set a password to restrict access or editing capabilities. Are there any free alternatives to Adobe Acrobat for working with PDFs? Yes, there are many free alternatives for working with PDFs, such as: LibreOffice: Offers PDF editing features. PDFsam: Allows splitting, merging, and editing PDFs. Foxit Reader: Provides basic PDF viewing and editing capabilities. How do I compress a PDF file? You can use online tools like Smallpdf, ILovePDF, or desktop software like Adobe Acrobat to compress PDF files without significant quality loss. Compression reduces the file size, making it easier to share and download. Can I fill out forms in a PDF file? Yes, most PDF viewers/editors like Adobe Acrobat, Preview (on Mac), or various online tools allow you to fill out forms in PDF files by selecting text fields and entering information. Are there any restrictions when working with PDFs? Some PDFs might have restrictions set by their creator, such as password protection, editing restrictions, or print restrictions. Breaking these restrictions might require specific software or tools, which may or may not be legal depending on the circumstances and local laws.

#### **Find Laporan Bagian Bagian Transmisi Manual Kendaraan :**

~~manual jump~~

**manual kawasaki z800**

~~manual mecanica kenworth~~

**manual of acupuncture dvd**

~~manual lavadera thomson~~

*manual of pathology of the human placenta second edition*

*manual kfr 35w*

~~manual learjet 45~~

**manual of operation for 2015 yamaha r6**

**manual kawasaki zx6r 2007**

*manual linux*

~~manual of emergency care~~

~~manual old citroen xsara~~

**manual motor diesel deutz**

manual of environmental microbiology 3rd edition



## **Laporan Bagian Bagian Transmisi Manual Kendaraan :**

*mathematics for physics an illustrated handbook* - Jul 10 2022

this book is meant to complement traditional textbooks by covering the mathematics used in theoretical physics beyond that typically covered in undergraduate math and physics courses the idea is to provide an intuitive visual overview of these mathematical tools with guiding end goals including but not limited to spinors and gauge theories

*mathematics for physicists introductory concepts and methods* - May 20 2023

mathematics for physicists introductory concepts and methods by alexander altland and jan von delft cambridge university press 2019 hardback pp 720 price gbp 39 99 isbn 9781108471220 mike glazera a department of physics oxford university parks road oxford ox1 3pu united kingdom correspondence e mail mike glazer@jesus.ox.ac.uk

*mathematics for physicists wiley* - Dec 15 2022

description mathematics for physicists is a relatively short volume covering all the essential mathematics needed for a typical first degree in physics from a starting point that is compatible with modern school mathematics syllabuses

**mathematics for physics cambridge university press** - Jan 16 2023

an engagingly written account of mathematical tools and ideas this book provides a graduate level introduction to the mathematics used in research in physics the first half of the book focuses on the traditional mathematical methods of physics differential and integral equations fourier series and the calculus of variations

*mathematics for physicists world scientific publishing co pte ltd* - May 08 2022

this book covers the necessary aspects of mathematics for graduate students in physics and engineering advanced undergraduate students and researchers who intend to enter the field of theoretical physics can also pick up this book

*mathematics for physics and physicists princeton university press* - Aug 23 2023

mar 4 2007 appel details numerous topics from the frontiers of modern physics and mathematics such as convergence green functions complex analysis fourier series and fourier transform tensors and probability theory consistently partnering clear explanations with cogent examples

**mathematical methods for physicists sciencedirect** - Apr 19 2023

description now in its 7th edition mathematical methods for physicists continues to provide all the mathematical methods that aspiring scientists and engineers are likely to encounter as students and beginning researchers this bestselling text provides mathematical relations and their proofs essential to the study of physics and related fields

**mathematics for physicists introductory concepts and methods** - Mar 06 2022

description this textbook is a comprehensive introduction to the key disciplines of mathematics linear algebra calculus and

geometry needed in the undergraduate physics curriculum its leitmotiv is that success in learning these subjects depends on a

**mathematics for physicists physics today aip publishing** - Apr 07 2022

toni feder p dennery a krzywicki garrison sposito mathematics for physicists physics today volume 20 issue 7 1 july 1967 pages 95 99 doi org 10 1063 1 3

**mathematics for physicists dover books on physics** - Aug 11 2022

aug 14 1996 a fine example of how to present classical physical mathematics american scientist written for advanced undergraduate and graduate students this volume provides a thorough background in the mathematics needed to understand today s more advanced topics in physics and engineering without sacrificing rigor the authors develop the theoretical material

mathematics for physics cambridge university press - Oct 13 2022

mathematics for physics is a comprehensive textbook that covers the essential topics and techniques for graduate level physics students the book is written in a clear and accessible style with examples exercises and solutions the frontmatter pdf provides an overview of the contents preface acknowledgements and notation

*mathematics for physicists by susan lea open library* - Feb 05 2022

dec 5 2022 overview view 1 edition details reviews lists related books last edited by importbot december 5 2022 history edit an edition of mathematics for physicists 2004 mathematics for physicists by susan lea 0 ratings 18 want to read 0 currently reading 0 have read this edition doesn t have a description yet can you add one

mathematics for physicists philippe dennery andré krzywicki - Mar 18 2023

jun 11 2012 mathematics for physicists a fine example of how to present classical physical mathematics american scientist written for advanced undergraduate and graduate students this volume

**math for physicists** - Sep 12 2022

we would like to show you a description here but the site won t allow us

**mathematics for physicists introductory concepts and methods** - Jun 21 2023

feb 21 2019 science math physics enjoy fast free delivery exclusive deals and award winning movies tv shows with prime try prime and start saving today with fast free delivery buy new 46 63 list price 54 99 details save 8 36 15 free returns free delivery october 24 27 or fastest delivery friday october 20

mathematical physics wikipedia - Nov 14 2022

the journal of mathematical physics defines the field as the application of mathematics to problems in physics and the development of mathematical methods suitable for such applications and for the formulation of physical theories

mathematics for physicists brian r martin graham shaw - Jun 09 2022

jun 15 2015 mathematics for physicists is a relatively short volume covering all the essential mathematics needed for a typical first degree in physics from a starting point that is compatible with

*mathematics for physicists introductory concepts and methods* - Jul 22 2023

english en pdf 42 3mb altland a mathematics for physicists introductory concepts and methods 2019 pdf mathematics for physicists introductory concepts and methods this textbook is a comprehensive introduction to the key disciplines of mathematics linear algebra calculus and geometry needed in the undergraduate physics curriculum

**mathematics for physicists higher education from cambridge** - Sep 24 2023

this textbook is a comprehensive introduction to the key disciplines of mathematics linear algebra calculus and geometry needed in the undergraduate physics curriculum its leitmotiv is that success in learning these subjects depends on a good balance between theory and practice

**mathematics for physicists and engineers springer** - Feb 17 2023

klaus weltner sebastian john wolfgang j weber peter schuster jean grosjean includes a separate study guide with 823 interactive learning tutorials available online includes a chapter on fourier integrals and fourier transforms is completely revised and rewritten includes supplementary material sn pub extras 81k accesses 13 altmetric

**tim und struppi band 3 die zigarren des pharaos walt disney** - Mar 03 2022

web the message tim und struppi band 3 die zigarren des pharaos that you are looking for it will utterly squander the time however below subsequently you visit this web page it will be for that reason enormously easy to get as skillfully as download guide tim und struppi band 3 die zigarren des pharaos it will not understand many era as we run

**die zigarren des pharaos tim und struppi band 3 von hergé** - Oct 10 2022

web jan 19 2023 der vorliegende band die zigarren des pharaos entstand im jahr 1932 und wurde 1955 überarbeitet und koloriert dabei wurden auch geringfügige inhaltliche open in app

*unboxing tim struppi die zigarren des pharaos youtube* - Apr 04 2022

web nov 7 2023 mit die zigarren des pharaos erscheint die erste aufwendige videospiele adaption rund um den reporter tim und seinen schlaun hund struppi more

*tim und struppi die zigarren des pharaos release termin und* - May 05 2022

web sep 18 2023 tim und sein treuer hund struppi brechen in tim und struppi die zigarren des pharaos zu aufregenden abenteuern auf auf einer mittelmeeer kreuzfahrt kommen die beiden freunde mit dem Ägyptologen philemon siclone ins gespräch daraufhin beschließt der findige reporter das geheimnisumwobene grab des pharaos

**tim und struppi 3 die zigarren des pharaos youtube** - May 17 2023

web about press copyright contact us creators advertise developers terms privacy policy safety how youtube works test new features nfl sunday ticket press copyright

**tim und struppi band 3 die zigarren des pharaos** - Sep 09 2022

web tim und struppi band 3 die zigarren des pharaos schmidt s jahrbuecher aug 12 2022 die geschichte bei tim struppi jul 23 2023 eigentlich ist tim reporter doch regelmässig schlüpft er in die rolle des privatdetektivs um gegen das böse zu kämpfen immer an seiner seite der foxterrier struppi kapitän haddock professor bienlein und

**tim struppi farbfaksimile band 3 die zigarren des pharaos** - Apr 16 2023

web tim struppi farbfaksimile band 3 die zigarren des pharaos hergé isbn 9783551738332 kostenloser versand für alle bücher mit versand und verkauf duch amazon tim struppi farbfaksimile band 3 die zigarren des pharaos hergé amazon de bücher

**die zigarren des pharaos wikipedia** - Sep 21 2023

web die zigarren des pharaos französischer originaltitel les cigares du pharaon ist das vierte tim und struppi album des belgischen zeichners hergé es erschien zwischen dem 8 dezember 1932 und dem 8 februar 1934 als schwarz weiß fassung im le petit vingtième unter dem ursprünglichen titel tintin en orient

**tim und struppi 3 die zigarren des pharaos kindercomic ab 8** - Aug 20 2023

web tim und struppi 3 die zigarren des pharaos kindercomic ab 8 jahren ideal für

die zigarren des pharaos tim und struppi wiki fandom - Jul 07 2022

web die zigarren des pharaos originaltitel les cigares du pharaon ist der 4 band der tim und struppi reihe weil der band tim im lande der sowjets als band 0 gezählt wird trägt dieser die nummer 3 die geschichte erschien vom 8 12 1932 8 2 1934 zunächst in schwarzweiß in der zeitschrift le

tim und struppi und die zigarren des pharaos 3 die - Jun 18 2023

web wir begeben uns mit tim und struppi auf eine reise und lüften das geheimnis der zigarren des pharos wir treffen auf viele alte bekannte aus dem kult comic

**die zigarren des pharaos tim und struppi bd 3 weltbild** - Dec 12 2022

web bücher online shop die zigarren des pharaos tim und struppi bd 3 von hergé bei weltbild bestellen per rechnung zahlen bücher in grosser auswahl weltbild ch adventskalender für gross und klein

**tim struppi band 3 die zigarren des pharaos amazon de** - Jan 13 2023

web durch eine hinterhältige intrige wird tim in port said des rauschgiftschmuggels verdächtigt und von den beiden geheimpolizisten schulze und schultze verhaftet zwar gelingt dem pfiffigen reporter die flucht aus seiner kabine aber damit fängt das abenteuer erst an

*tim und struppi 3 die zigarren des pharaos ex libris* - Feb 14 2023

web tim und struppi 3 die zigarren des pharaos von hergé kartonierter einband jetzt buch zum tiefpreis von chf 15 50 portofrei bei ex libris bestellen

*tim und struppi 3 die zigarren des pharaos carlsen* - Oct 22 2023

web tim und struppi befinden sich auf einer schiffsreise die sie vom mittelmeeer durch den suezkanal bis nach schanghai führen soll durch eine hinterhältige intrige wird tim in port said des rauschgiftschmuggels verdächtigt und von den beiden geheimpolizisten schulze und schultze verhaftet

tim und struppi 3 die zigarren des pharaos thalia - Jul 19 2023

web tim und struppi 3 die zigarren des pharaos kindercomic ab 8 jahren ideal für leseanfänger comic klassiker hergé buch taschenbuch 12 00 inkl gesetzl mwst versandkostenfrei 2 artikel liefern lassen sofort lieferbar geringer bestand in den warenkorb click collect verfügbarkeit in ihrer buchhandlung prüfen

**tim und struppi die zigarren des pharaos zeichentrickfilm** - Aug 08 2022

web mar 11 2020 tim und struppi die zigarren des pharaos zeichentrickfilm tim und struppi ist eine der bekanntesten und bedeutendsten europäischen comicserien der belgier hergé

**tim und struppi 03 die zigarren des pharaos hergé bol com** - Nov 11 2022

web tim und struppi 03 die zigarren des pharaos paperback isbn 9783551732231 genre strips grafische boeken type boekomslag paperback taalversie ga naar zoeken ga naar hoofdinhoud lekker winkelen zonder zorgen gratis verzending vanaf 20

**die zigarren des pharaos zvb** - Mar 15 2023

web tim und struppi band 3 die zigarren des pharaos von hergé und eine große auswahl ähnlicher bücher kunst und sammlerstücke erhältlich auf zvb com

*tintin reporter die zigarren des pharaos bei steam* - Jun 06 2022

web die zigarren des pharaos ist das vierte album aus der reihe der abenteuer von tim und struppi ein spiel voller abenteuer begleiten sie tim und struppi in actionreichen und kniffligen phasen und versuchen sie einen

buchtipp elektroshock die geschichte der elektronischen - Jun 12 2023

web aug 5 2012 elektroshock die geschichte der elektronischen tanzmusik teilen twittern email 1 als insider und zeitzeuge der anfänge des techno in europa schreibt

*elektroschock die geschichte der elektronischen t hans* - Dec 06 2022

web elektroshock die geschichte der elektronischen t below michel foucault didier eribon 1991 when he died in 1984 michel foucault was widely regarded as one of the

**elektroschock die geschichte der elektronischen t copy** - Apr 29 2022

web may 8 2023 elektroschock die geschichte der elektronischen t silicon nitride for microelectronic applications dec 22 2021 the large amount of literature on the

*elektroschock die geschichte der elektronischen t pdf pdf* - Jan 07 2023

web elektroschock die geschichte der elektronischen t pdf recognizing the pretentiousness ways to get this book  
elektroschock die geschichte der

**elektroschock die geschichte der elektronischen t pdf** - Mar 29 2022

web jul 16 2023 elektroschock die geschichte der elektronischen t 2 6 downloaded from uniport edu ng on july 16 2023 by  
guest multipliers peak detectors rectifiers and

**elektroschock die geschichte der elektronischen t pdf full pdf** - Oct 04 2022

web may 15 2023 elektroschock die geschichte der elektronischen t pdf right here we have countless ebook elektroschock  
die geschichte der elektronischen t pdf and

elektroschock die geschichte der elektronischen t e - May 11 2023

web merely said the elektroschock die geschichte der elektronischen t is universally compatible taking into consideration any  
devices to read elektroschock die

**elektroschock die geschichte der elektronischen t uniport edu** - Oct 24 2021

web now is elektroschock die geschichte der elektronischen t below unlocking the groove mark jonathan butler 2006 a first  
music driven study of electronic dance music

elektroschock die geschichte der elektronischen t download - Feb 25 2022

web 2 elektroschock die geschichte der elektronischen t 2020 10 29 pest control in the twentieth century soundtracking  
germany john wiley sons in dieser studie rückt eine

*elektroschock die geschichte der elektronischen t pdf book* - Apr 10 2023

web jul 10 2023 elektroschock die geschichte der elektronischen t pdf that we will no question offer it is not in relation to  
the costs its more or less what you infatuation

**elektroschock die geschichte der elektronischen t michael** - Mar 09 2023

web as this elektroschock die geschichte der elektronischen t it ends in the works brute one of the favored ebook  
elektroschock die geschichte der elektronischen t

**elektroschock die geschichte der elektronischen t pdf** - Sep 22 2021

web jul 19 2023 elektroschock die geschichte der elektronischen t 1 8 downloaded from uniport edu ng on july 19 2023 by  
guest elektroschock die geschichte der

elektroschock die geschichte der elektronischen t pdf - Jan 27 2022

web geschichte der elektronischen t pdf a mesmerizing literary masterpiece penned by way of a distinguished author guiding readers on a profound journey to unravel the secrets

*elektroschock die geschichte der elektronischen t firstradio* - Feb 08 2023

web 4 elektroschock die geschichte der elektronischen t 2021 10 12 zten jahren gestiegen ist dabei nimmt silberman den leser mit auf eine kreuzfahrt nach alaska an bord die

*die rückkehr des elektroschocks wissenschaft de* - Sep 03 2022

web dec 19 2006 die hände aneinandergefesselt wird der aufmüpfige anstaltspatient randle mcmurphy von mehreren pflegern auf einer liege festgehalten er bekommt zwei

*pdf elektroschock die geschichte der elektronischen t* - May 31 2022

web elektroschock die geschichte der elektronischen t tax compliance costs for companies in an enlarged european community apr 03 2021 when it comes to

**laurent garnier elektroschock die geschichte der** - Jul 13 2023

web may 10 2005 elektroschock die geschichte der elektronischen tanzmusik hannibal verlag planegg 2005 isbn 9783854452522 kartoniert 296 seiten 24 90 eur

**elektroschock lexikon der biologie spektrum de** - Jul 01 2022

web laurent garnier elektroschock die geschichte der elektronischen tanzmusik verlag hannibal verlag isbn 3854452527 preis 27 00 bei amazon de kaufen copyright

**elektroschock die geschichte der elektronischen t pdf** - Aug 02 2022

web may 1 2023 jahrelang die geheime geschichte des autismus recherchiert zudem findet er überraschende antworten auf die frage warum die zahl der diagnosen in den

**elektroschock die geschichte der elektronischen tanzmusik** - Aug 14 2023

web das buch erzählt die geschichte einer techno legende und es erzählt die geschichte der elektronischen tanzmusik aus den augen von genau dieser techno legende das

*elektroschock rechtschreibung bedeutung definition herkunft* - Dec 26 2021

web definition rechtschreibung synonyme und grammatik von elektroschock auf duden online nachschlagen wörterbuch der deutschen sprache

elektroschock die geschichte der elektronischen tanzmusik by - Nov 24 2021

web elektroschock die geschichte der elektronischen tanzmusik by laurent garnier david brun lambert in 2 jähriger kleinstarbeit hat garnier 15 jahre techno und dj dasein in

**elektroschock wikipedia** - Nov 05 2022

web elektroschock bezeichnet die kurzzeitige und absichtliche einwirkung von strom auf einen organismus je nach zielsetzung und parametern kann man unterscheiden einatz bei