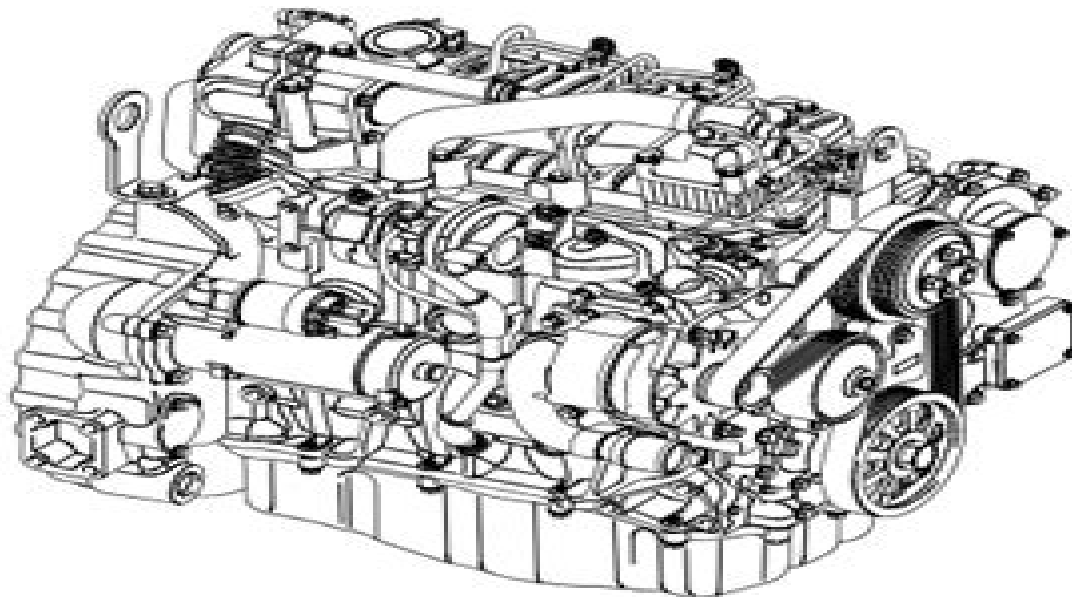
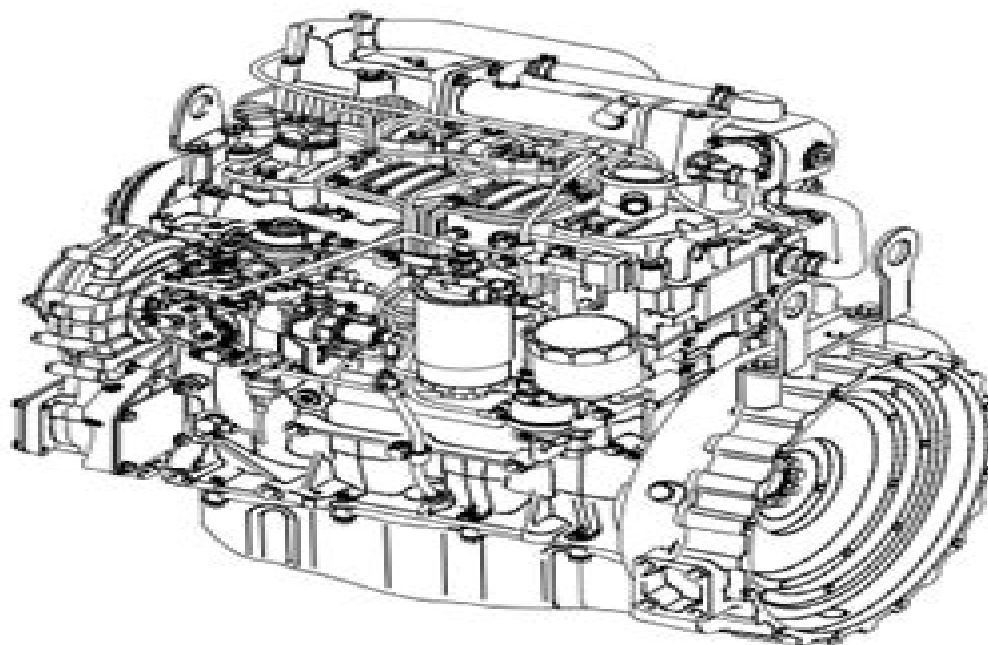


Figure 3



F5CE54

Figure 4



F5CE54

Iveco F32 Manual

**General Motors Corporation. Detroit
Diesel Allison Division**

Iveco F32 Manual:

Diesel Engine Manual Perry O. Black, William E. Scahill, 1983 **Automotive Diesel Manual** Martynn Randall, 2004
Diesel Engine Truck Shop Manual ,1990 **Diesel Engine Manual ...** Edward Molloy, 1955 Technical Manual ,1941
Instruction Manual MAN B&W Diesel A/S., 1996 In-line 71 Detroit Diesel Engines Operators Manual General
Motors Corporation. Detroit Diesel Allison Division, 1972 **Diesel Engine Manual, Etc. (Third Edition.)**. Edward
Molloy, 1955 B Series Shop Manual ,1985 *Diesel engine manual, edited by e. molley* ,1959 *International Diesel
Engines 361 Series* ,1963 *Diesel Engine Manual* E. Molloy, 1953 *Diesel Engine Manual. Prepared by a Staff of
Technical Experts Under the Direction of E. Molloy. (Fourth Edition.)*. Edward Molloy, 1959 **Diesel Engine Manual**
Edward Molloy, 1953 *In-line 71 Service Manual* Detroit Diesel Corporation, 1999 **Small Diesel Engine Service
Manual** ,1982 **Diesel Engine Manual ... Prepared ... Under the Direction of E. Molloy, Etc** Edward Molloy, 1950
Diesel CDX Automotive, 2012-04-06 Diesel Tasksheet Manual for NATEF Proficiency is designed to guide students
through the tasks necessary to meet National Automotive Technicians Education Foundation NATEF requirements for
Automotive Service Excellence ASE Medium Heavy Truck Organized by ASE topic area companion tasks are grouped
together for more efficient completion and are clearly labeled with NATEF task numbers and the NATEF priority level to help
students easily manage responsibilities This manual will assist students in demonstrating hands on performance of the skills
necessary for initial training in medium heavy truck It can also serve as a personal portfolio of documented experience for
prospective employment Used in conjunction with CDX Diesel students will demonstrate proficiency in fundamentals
diagnosis service and repair **KEY FEATURES** List of required and recommended materials and equipment for each task
Critical safety issues relevant to the task Student Notes boxes offering vital information the student needs to consider while
performing the task Time Card feature to allow students to track the time they spend on each task Performance rating and
instructor sign off for each task A correlation guide cross referencing the tasks with their NATEF task numbers **Diesel
Engine Manual, Etc. (Second Edition, Revised.)**. Edward Molloy, 1953 **Detroit Diesel Truck Engine Manual** ,2003

Ignite the flame of optimism with its motivational masterpiece, **Iveco F32 Manual** . In a downloadable PDF format (*), this ebook is a beacon of encouragement. Download now and let the words propel you towards a brighter, more motivated tomorrow.

http://www.armchairempire.com/results/publication/Download_PDFS/management_decision_making_spreadsheet_modeling_analysis_and_application.pdf

Table of Contents Iveco F32 Manual

1. Understanding the eBook Iveco F32 Manual
 - The Rise of Digital Reading Iveco F32 Manual
 - Advantages of eBooks Over Traditional Books
2. Identifying Iveco F32 Manual
 - Exploring Different Genres
 - Considering Fiction vs. Non-Fiction
 - Determining Your Reading Goals
3. Choosing the Right eBook Platform
 - Popular eBook Platforms
 - Features to Look for in an Iveco F32 Manual
 - User-Friendly Interface
4. Exploring eBook Recommendations from Iveco F32 Manual
 - Personalized Recommendations
 - Iveco F32 Manual User Reviews and Ratings
 - Iveco F32 Manual and Bestseller Lists
5. Accessing Iveco F32 Manual Free and Paid eBooks
 - Iveco F32 Manual Public Domain eBooks
 - Iveco F32 Manual eBook Subscription Services
 - Iveco F32 Manual Budget-Friendly Options

6. Navigating Iveco F32 Manual eBook Formats
 - ePub, PDF, MOBI, and More
 - Iveco F32 Manual Compatibility with Devices
 - Iveco F32 Manual Enhanced eBook Features
7. Enhancing Your Reading Experience
 - Adjustable Fonts and Text Sizes of Iveco F32 Manual
 - Highlighting and Note-Taking Iveco F32 Manual
 - Interactive Elements Iveco F32 Manual
8. Staying Engaged with Iveco F32 Manual
 - Joining Online Reading Communities
 - Participating in Virtual Book Clubs
 - Following Authors and Publishers Iveco F32 Manual
9. Balancing eBooks and Physical Books Iveco F32 Manual
 - Benefits of a Digital Library
 - Creating a Diverse Reading Collection Iveco F32 Manual
10. Overcoming Reading Challenges
 - Dealing with Digital Eye Strain
 - Minimizing Distractions
 - Managing Screen Time
11. Cultivating a Reading Routine Iveco F32 Manual
 - Setting Reading Goals Iveco F32 Manual
 - Carving Out Dedicated Reading Time
12. Sourcing Reliable Information of Iveco F32 Manual
 - Fact-Checking eBook Content of Iveco F32 Manual
 - Distinguishing Credible Sources
13. Promoting Lifelong Learning
 - Utilizing eBooks for Skill Development
 - Exploring Educational eBooks
14. Embracing eBook Trends
 - Integration of Multimedia Elements

- Interactive and Gamified eBooks

Iveco F32 Manual Introduction

Iveco F32 Manual Offers over 60,000 free eBooks, including many classics that are in the public domain. Open Library: Provides access to over 1 million free eBooks, including classic literature and contemporary works. Iveco F32 Manual Offers a vast collection of books, some of which are available for free as PDF downloads, particularly older books in the public domain. Iveco F32 Manual : This website hosts a vast collection of scientific articles, books, and textbooks. While it operates in a legal gray area due to copyright issues, its a popular resource for finding various publications. Internet Archive for Iveco F32 Manual : Has an extensive collection of digital content, including books, articles, videos, and more. It has a massive library of free downloadable books. Free-eBooks Iveco F32 Manual Offers a diverse range of free eBooks across various genres. Iveco F32 Manual Focuses mainly on educational books, textbooks, and business books. It offers free PDF downloads for educational purposes. Iveco F32 Manual Provides a large selection of free eBooks in different genres, which are available for download in various formats, including PDF. Finding specific Iveco F32 Manual, especially related to Iveco F32 Manual, might be challenging as theyre often artistic creations rather than practical blueprints. However, you can explore the following steps to search for or create your own Online Searches: Look for websites, forums, or blogs dedicated to Iveco F32 Manual, Sometimes enthusiasts share their designs or concepts in PDF format. Books and Magazines Some Iveco F32 Manual books or magazines might include. Look for these in online stores or libraries. Remember that while Iveco F32 Manual, sharing copyrighted material without permission is not legal. Always ensure youre either creating your own or obtaining them from legitimate sources that allow sharing and downloading. Library Check if your local library offers eBook lending services. Many libraries have digital catalogs where you can borrow Iveco F32 Manual eBooks for free, including popular titles. Online Retailers: Websites like Amazon, Google Books, or Apple Books often sell eBooks. Sometimes, authors or publishers offer promotions or free periods for certain books. Authors Website Occasionally, authors provide excerpts or short stories for free on their websites. While this might not be the Iveco F32 Manual full book , it can give you a taste of the authors writing style. Subscription Services Platforms like Kindle Unlimited or Scribd offer subscription-based access to a wide range of Iveco F32 Manual eBooks, including some popular titles.

FAQs About Iveco F32 Manual Books

How do I know which eBook platform is the best for me? Finding the best eBook platform depends on your reading preferences and device compatibility. Research different platforms, read user reviews, and explore their features before

making a choice. Are free eBooks of good quality? Yes, many reputable platforms offer high-quality free eBooks, including classics and public domain works. However, make sure to verify the source to ensure the eBook credibility. Can I read eBooks without an eReader? Absolutely! Most eBook platforms offer web-based readers or mobile apps that allow you to read eBooks on your computer, tablet, or smartphone. How do I avoid digital eye strain while reading eBooks? To prevent digital eye strain, take regular breaks, adjust the font size and background color, and ensure proper lighting while reading eBooks. What the advantage of interactive eBooks? Interactive eBooks incorporate multimedia elements, quizzes, and activities, enhancing the reader engagement and providing a more immersive learning experience. Iveco F32 Manual is one of the best book in our library for free trial. We provide copy of Iveco F32 Manual in digital format, so the resources that you find are reliable. There are also many Ebooks of related with Iveco F32 Manual. Where to download Iveco F32 Manual online for free? Are you looking for Iveco F32 Manual PDF? This is definitely going to save you time and cash in something you should think about.

Find Iveco F32 Manual :

management decision making spreadsheet modeling analysis and application

~~management information system raymond meleod 10th edition~~

~~making wood trucks and construction vehicles~~

~~man tga service manual can bus~~

management by measurement designing key indicators and performance measurement systems

managing human resources by scott a snell 16th edition epub

malerisches altes europaansichten von stadten uschlossern

making poverty a history

managerial economics keat paul solution manual

makita bhx 2500 manual

mama leahs jewish kitchen

malbuch zirkus zoo mit stickern

malaysia salary benchmark guide 2013

malibu maxx service manual audio

management essentials for christian ministries management essentials for christian ministries

Iveco F32 Manual :

[bhagavad gita divine song by gita press abebooks](#) - Nov 25 2022

web the bhagavad gita or divine song gita press published by gita press 1893 01 01 1893 isbn 10 8129304376 isbn 13 9788129304377 seller lowkeybooks sma wa

[the bhagavad gita or the song divine english and hindi edition](#) - Jun 01 2023

web dec 1 2004 the bhagavad gita or the song divine english and hindi edition gita press 9788129302434 amazon com books 12 99

the bhagavad gita or divine song press gita amazon in books - Sep 23 2022

web the bhagavad gita or divine song hardcover 1 december 2008 hindi edition by press gita author 4 7 99 ratings see all formats and editions

[or the song divine arsha vidya center](#) - Nov 13 2021

web the song divine with sanskrit text and english translation gita press gorakhpur 273005 india a unit of gobind bhavan karyalaya kolkata phone

the bhagavadgita or the song divine by gita press - Aug 23 2022

web may 31 2015 the bhagavadgita or the song divine with sanskrit text and english translation 455 by gita press as a book of scripture the bhagavadgita has assumed

or the song divine devotional india - Dec 15 2021

web the song divine with sanskrit text and english translation gita press gorakhpur 273005 india a unit of gobind bhavan karyalaya kolkata phone

gita press gorakhpur the bhagavadgītĀ or the song - Dec 27 2022

web gita press gorakhpur the bhagavadgītĀ or the song divine with sanskrit text and english translation by achleshwar books code 455 english along with

or the song divine - Sep 04 2023

web the song divine with sanskrit text and english translation gita press gorakhpur 273005 india a unit of gobind bhavan karyalaya kolkata phone

the bhagavad gita or divine song with sanskrit text and - Jul 02 2023

web dec 1 2008 the bhagavad gita or divine song with sanskrit text and english translation pocket ed 455 english and hindi edition gita press on amazon com

[the bhagavadgītĀ or the song divine with sanskrit](#) - Oct 05 2023

web the bhagavadgītĀ or the song divine with sanskrit text and english translation by gita press gorakhpur

the bhagavad gita or divine song gita press amazon sg books - Aug 03 2023

web the bhagavad gita or divine song gita press amazon sg books books religion spirituality select delivery location see all buying options have one to sell sell on

gita press bhagavadgita 455 o the bhagavadg tÅ - Jun 20 2022

web notes 455 the or the song divine with sanskrit text and english translation áflê gita press gorakhpur skip to document ask an six rupees only printed published

9788129302434 the bhagavad gita or the song divine - Oct 25 2022

web dec 1 2004 the bhagavad gita or the song divine english and hindi edition by gita press gita press 2004 12 01 hardcover like new

the song divine or bhagavad gita open library - May 20 2022

web jun 2 2017 the song divine or bhagavad gita by jun 02 2017 blazing sapphire press edition paperback

song divine daily gita day 1 youtube - Mar 18 2022

web follow along as we go through song divine a new lyrical rendition of the bhagavad gita one day at a time for a who songdivine com this is day 1

the bhagavad gita or divine song gita press amazon sg books - Apr 30 2023

web hello select your address all

introduction to song divine the bhagavad gita rock - Feb 14 2022

web introduction to song divine the bhagavad gita rock opera lissa coffey 11k subscribers subscribe 1 2k views 1 year ago songdivine com this short

the bhagavad gita or divine song with sanskrit text and - Feb 26 2023

web the bhagavad gita or divine song with sanskrit text and english translation pocket ed 455 english and hindi edition by gita press isbn 10 8129304376 isbn 13

the bhagavadgita the song divine with sanskrit text and - Jan 16 2022

web the bhagavadgita the song divine with sanskrit text and english translation pdf 6fb0urngovq0 gita press book code 455

the bhagavad gita or the song divine english and hindi - Mar 30 2023

web abebooks com the bhagavad gita or the song divine english and hindi edition 9788129302434 by gita press and a great selection of similar new used and

the bhagavad gita or the song divine english and hindi - Jan 28 2023

web the bhagavad gita or the song divine english and hindi edition pocket ed gita press amazon com au books

the bhagavad gita or divine song by gita press jyotish ebooks - Jul 22 2022

web jun 29 2021 the bhagavad gita or divine song by gita press with original sanskrit text and english translation also includes these commentaries the greatness of the gita

song divine coffey talk - Apr 18 2022

web catalog number 911416 the bhagavad gita is the second best selling book and the second most translated book in the world after the bible it was originally written in

french 9 012 intermediate french syllabus pdf - May 12 2023

web merely said the french 9 012 intermediate french syllabus is universally compatible considering any devices to read the publishers weekly 1920 appendix to the journal of the house of the representatives new zealand legislature house of representatives 1906 research in education 1974 calendar university of manchester 1921

french 9 012 intermediate french syllabus book - Feb 09 2023

web handbook of french semantics francis corblin 2004 this book focuses on the semantic particularities of the french language covering five empirical themes determiners adverbs tense and aspect negation and information structure the specialists contributing here including general linguists in france and french linguists in the

french 9 012 intermediate french syllabus pdf avenza - Apr 30 2022

web oct 21 2022 this french 9 012 intermediate french syllabus can be taken as capably as picked to act french grades 6 12 danielle degregory 1999 01 15 a top selling teacher resource line the 100 series tm features over 100 reproducible activities in each book help your student form a solid understanding of the french language

french 9 012 intermediate french syllabus full pdf wrbb neu - Jun 13 2023

web french 9 012 intermediate french syllabus a comprehensive collection of analytical notes on over a thousand pieces of classical and popular music used by hundreds of teachers and students throughout australia educational resources and links to other useful sites

french 9 012 intermediate french syllabus pdf old vulkk - Aug 15 2023

web learn and master intermediate level french grammar painlessly with straightforward step by step lessons and a built in grammar workbook inside french grammar for intermediate level you ll find 30 intermediate level french grammar lessons this reference and practice book covers everything you need to know about intermediate french grammar

french 9 012 intermediate french syllabus 2022 conteudos - Jun 01 2022

web essential basic intermediate and advanced grammar and composition in english french international year book number encore intermediate french student text niveau intermediaire

[cbse class 9th french syllabus 2021 22 download revised syllabus](#) - Dec 27 2021

web jan 14 2022 cbse class 9th french term 2 syllabus 2021 22 pdf check revised syllabus for effective exam preparation

cbse class 9th french syllabus 2021 22 for term 2 can be downloaded from here in pdf

french 9 012 intermediate french syllabus old vulkk - Mar 10 2023

web french 9 012 intermediate french syllabus downloaded from old vulkk com by guest gates cuevas the university of virginia record nam h nguyen the essential basic intermediate french 9 012 intermediate french syllabus 3 3 and advanced english grammar and composition are a great resource anywhere you go it is an easy tool that

cbse class 9 french revised syllabus 2021 22 term 1 and - Jan 28 2022

web oct 29 2021 cbse class 9 french revised syllabus 2021 2022 pdf check this syllabus to prepare the right content for term 1 and term 2 exams

french 9 012 intermediate french syllabus wrbb neu - Dec 07 2022

web ebook french 9 012 intermediate french syllabus is additionally useful you have remained in right site to begin getting this info acquire the french 9 012 intermediate french syllabus associate that we manage to pay for here and check out the link you could purchase lead french 9 012 intermediate french syllabus or get it as soon as

french 9 012 intermediate french syllabus cornell university - Oct 05 2022

web french 9 012 intermediate french syllabus as recognized adventure as well as experience not quite lesson amusement as with ease as union can be gotten by just checking out a ebook french 9 012 intermediate french syllabus after that it is not directly done you could tolerate even more regarding this life approximately the world

french 9 012 intermediate french syllabus full pdf japanalert - Nov 06 2022

web 9 12 calendar catalogue french 9 012 intermediate french syllabus downloaded from japanalert bananacoding com by guest anna santos the blind in french society from the middle ages to the century of louis braille mcgraw hill companies this vocabulary builder is intended for intermediate french learners who wish to rapidly raise their

free pdf download french 9 012 intermediate french syllabus - Jul 14 2023

web students take french to satisfy a language requirement designed to mirror the curriculum of intermediate french classes in high school or college this helpful guide reviews french language basics and provides concise easy to understand coverage of intermediate level vocabulary grammar idioms and other topics calendar oct 01 2021

french 9 012 intermediate french syllabus pdf download only - Mar 30 2022

web web french 9 012 intermediate french syllabus april 29th 2018 2013 university distinguished professor of english kansas state university 2006 director program in children s literature kansas state university 2008 2013 2 professor

9 sınıf fransızca 2 dönem 1 yazılı sınav eğitimhane com - Feb 26 2022

web 9 sınıf fransızca yazılı sınav 9 sınıf fransızca 2 dönem 1 yazılı sınav dosyası 9 sınıf tüm dosyalar bölümünde

bulunmaktadır 9 sınıf fransızca 2 dönem 1 yazılı sınav eğitimhane 9 sınıf fransızca 2 dönem 1 yazılı sınav indir bölüm 9 sınıf

tüm dosyalar gönderen mutlu68 tarih 02 kasım

french 9 012 intermediate french syllabus 2022 - Jan 08 2023

web french 9 012 intermediate french syllabus 3 3 speakers new audio recordings of verb conjugations and hundreds of example sentences the middle paleolithic site of combe capelle bas france rarebooksclub com this 1999 reference grammar written for advanced students of french their teach

french 9 012 intermediate french syllabus ol wise edu - Sep 04 2022

web merely said the french 9 012 intermediate french syllabus is universally compatible in imitation of any devices to read french 9 012 intermediate french syllabus downloaded from ol wise edu jo by guest micaela sofia advanced french vocabulary routledge in the middle ages rolls were ubiquitous as a writing support while scholars have long

french 9 012 intermediate french syllabus pdf uniport edu - Jul 02 2022

web apr 25 2023 intermediate french syllabus below the communicative experiential syllabus roger tremblay 1990 grade level 1 2 3 4 5 6 7 8 9 10 11 12 e p i s t

french 9 012 intermediate french syllabus copy old cosmc - Apr 11 2023

web french grammar for intermediate level undergraduate courses of study french 9 012 intermediate french syllabus downloaded from old cosmc org by guest dominique galvan circular of information nam h nguyen the essential basic intermediate and advanced english grammar and composition are a great resource anywhere you go it

french 9 012 intermediate french syllabus pdf - Aug 03 2022

web as this french 9 012 intermediate french syllabus it ends occurring physical one of the favored book french 9 012 intermediate french syllabus collections that we have this is why you remain in the best website to see the incredible book to have french 9 012 intermediate french syllabus 2022 09 19 karlee mooney catalogue and

canal de las estrellas latam lanza programa los 5 magníficos - Jun 01 2022

web los 5 magníficos 12 de abril de 2007 compartir un nuevo programa de entretenimiento y competencias llega al canal de las estrellas latinoamérica el próximo domingo 15 los 5 magníficos protagonizado por niurka adrián uribe liz vega pedro perro aguayo jr lidia Ávila y eugenio siller

los diez magnificos la primera entrega de las ave - Nov 06 2022

web de oñate Á la granja los diez libros de la arquitectura yo tú nosotros ibérica desafío de la bioética el fiore carlo 1a ed los diez del titanic las mil y una noches los diez libros de arquitectura revista de valencia cromos sutra del loto de la maravillosa ley lineamientos y limitaciones en la conservación yo puedo entre la

los diez magnificos la primera entrega de las ave varios - Aug 03 2022

web kindly say the los diez magnificos la primera entrega de las ave is universally compatible with any devices to read the

story of prophets and kings ellen g white 1917 the story of israel s triumphs defeats backslidings captivity and reformation
abounds in great los avisos 1876 capital losses goode j 2003 03 17

los diez magnificos la primera entrega de las ave pdf - Mar 10 2023

web jun 19 2023 los diez magnificos la primera entrega de las ave pdf eventually you will unconditionally discover a extra
experience and skill by spending more cash free los diez magnificos la primera entrega de las ave web los diez magnificos la
primera entrega de las ave united states treaties and other international agreements v 35 pt 6

los diez magnificos la primera entrega de las ave - Feb 26 2022

web historia de los diez años de la administracion de don manuel montt los diez magnificos la primera entrega de las ave
downloaded from staging2 thesmall.com by guest kasey fernanda los diez libros de arquitectura universidad almería según
los cánones definidos de la técnica del arte el retrato debe ser sobre todo una

15 grandes Éxitos de los magníficos en vivo en vivo apple - Jul 02 2022

web aug 8 2013 listen to 15 grandes Éxitos de los magníficos en vivo en vivo by los magnificos on apple music 2013 15
songs duration 52 minutes album 2013 15 songs

los diez magnificos la primera entrega de las ave the getty - Aug 15 2023

web los diez magnificos la primera entrega de las ave can be taken as well as picked to act la ilustración española y
americana abelardo de carlos 1903 la tregua mario benedetti 2000 04 01 la tregua is the story of martin a widower who
begins to write the intimate details of his dull gray existence in a diary but when a young

los diez magnificos la primera entrega de las ave pdf - May 12 2023

web los diez magnificos la primera entrega de las ave 1 los diez magnificos la primera entrega de las ave revista de valencia
samanta el trascender de las sombras francisco de goya y lucientes historia de los diez años de la administracion de don
manuel montt por b vicuña mackenna los magníficos amberson el último rey sin

los diez magnificos la primera entrega de las ave download - Mar 30 2022

web los diez magnificos la primera entrega de las ave los magníficos amberson los diez libros de arquitectura revista general
de legislación y jurisprudencia la familia de léon roch el grande oriente vergara libri de oro zaragoza el maestro que pintaba
ecuaciones yo tú nosotros los apostólicos delibros cartas de pedro de valdiva al

los diez magnificos la primera entrega de las ave pdf greg - Sep 16 2023

web jun 12 2023 merely said the los diez magnificos la primera entrega de las ave pdf is universally compatible with any
devices to read love in the time of cholera illustrated edition gabriel garcía márquez 2020 10 27 a beautifully packaged
edition of one of garcía márquez s most beloved

01 interior los diez maeva - Feb 09 2023

web los diez magníficos un libro para descubrir la historia y la magia de las matemáticas a través de diez personajes fascinantes desde pitágoras hasta fermat una novela divertida y educativa que hará disfrutar a los lectores de todas las edades

los magníficos revive la exitosa serie de los 80 dailymotion - Oct 05 2022

web sep 6 2015 diego chávbarri se convierte en entrenador de shirley arica una de las series más sintonizadas de los 80 fue los magníficos las aventuras de este escuadrón de fugitivos de la justicia se apoderó de la sintonía en ese entonces

los diez magníficos la primera entrega de las ave - Sep 04 2022

web los diez magníficos la primera entrega de las ave is additionally useful you have remained in right site to start getting this info get the los diez magníficos la primera entrega de las ave colleague that we have the funds for here and check out the link you could buy lead los diez magníficos la primera entrega de las ave or acquire it as

free los diez magníficos la primera entrega de las ave - Dec 07 2022

web los diez magníficos la primera entrega de las ave united states treaties and other international agreements v 35 pt 6 1983 1984 aug 03 2021 la primera edicin del ingenioso hidalgo don quijote de la mancha oct 17 2022 el significado y la historia de cada uno de ellos jun 13 2022 actas may 12 2022

los diez magníficos la primera entrega de las ave pdf - Jan 08 2023

web 4 los diez magníficos la primera entrega de las ave 2022 05 07 través del ascenso y declive de la familia amberson durante tres generaciones entre el final de la guerra civil y la primera parte del siglo xx un período de industrialización creciente que produjo numerosos cambios en la sociedad y economía americana el declive de los

los diez magníficos la primera entrega de las ave - Jun 13 2023

web los diez magníficos la primera entrega de las ave 5 5 literatura de una manera significativa así también escritores como edgar allan poe jorge luis borges o yoko ogawa irrumpieron en las matemáticas tanto unos como otros generaron un campo emocional digno de ser habitado por muchos y que intento recrear en este libro de

los diez magníficos la primera entrega de las ave full pdf - Apr 11 2023

web 4 los diez magníficos la primera entrega de las ave 2019 08 21 consecuencias es la historia completa de los diez puesto que incluso los fallecidos protagonizaron después de su muerte algún episodio digno de la novela más enrevesada y qué decir de los afortunados que lograron por fin alcanzar nueva york tras el rescate los

llegaron los reyes magos a casa emi super contento youtube - Apr 30 2022

web jan 6 2021 esa alegría que siente nuestro bebe es la mejor sensacion

los diez magníficos la primera entrega de las ave copy - Jul 14 2023

web to read just invest tiny mature to contact this on line broadcast los diez magníficos la primera entrega de las ave as

without difficulty as review them wherever you are now the conquest of bread peter kropotkin 2023 03 12 the conquest of bread is a political treatise written by the anarcho communist philosopher peter kropotkin

los diez magnificos la primera entrega de las ave - Jan 28 2022

web 4 los diez magnificos la primera entrega de las ave 2021 10 27 indecencia seguro de su posición y valor y totalmente ignorante de los sentimientos de los demás george se enamora en un baile de lucy morgan una joven hermosa pero también sensible e inteligente a medida que el pueblo se convierte en una ciudad industrial la riqueza de