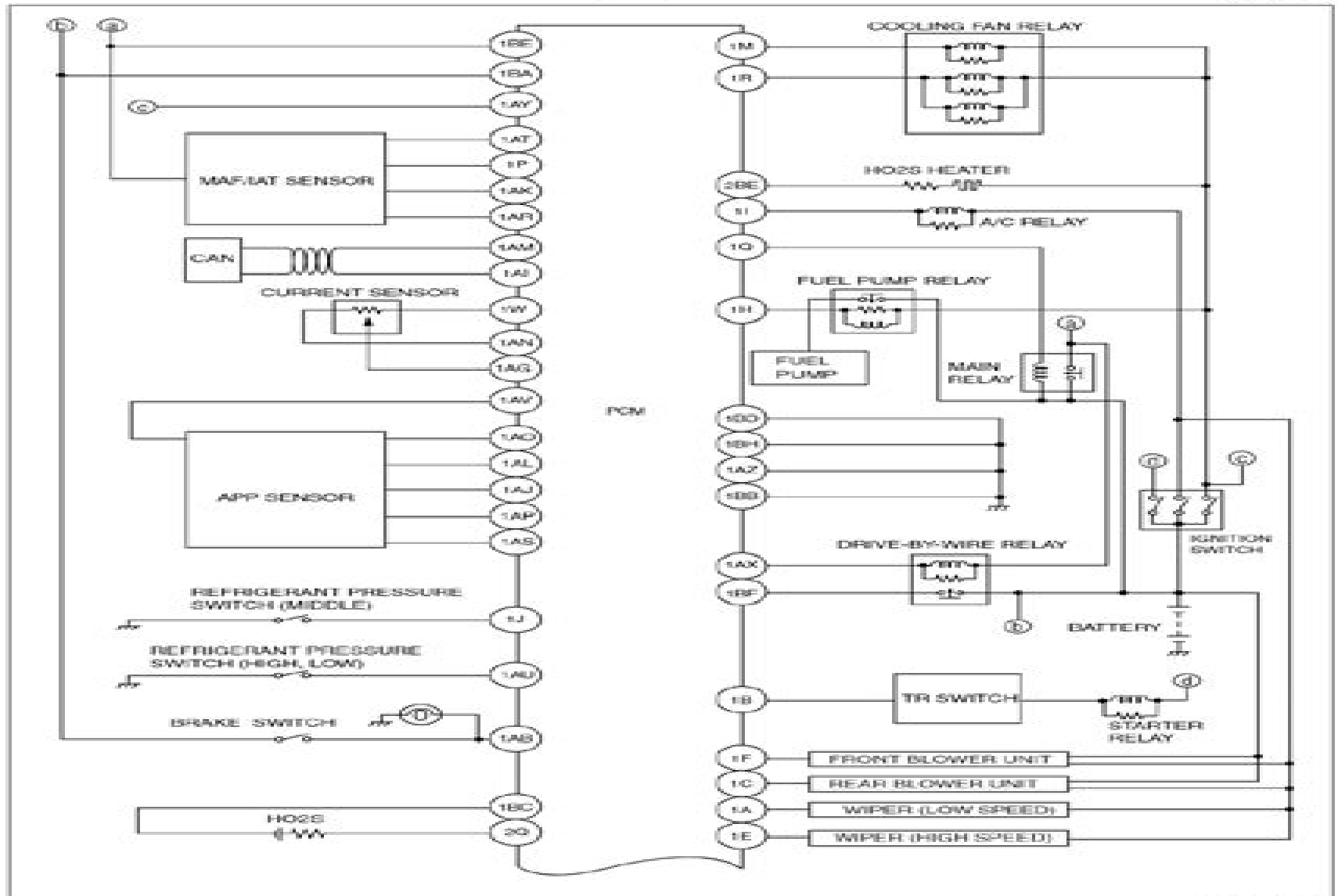


ENGINE CONTROL SYSTEM WIRING DIAGRAM [L3]

420140a7100400



Mazda Mpv 2008 Manual

Richard Bailey



Mazda MpV 2008 Manual:

Thank you very much for reading **Mazda Mpv 2008 Manual**. As you may know, people have search numerous times for their chosen readings like this Mazda Mpv 2008 Manual, but end up in infectious downloads. Rather than reading a good book with a cup of tea in the afternoon, instead they are facing with some infectious bugs inside their laptop.

Mazda Mpv 2008 Manual is available in our book collection an online access to it is set as public so you can download it instantly.

Our digital library saves in multiple countries, allowing you to get the most less latency time to download any of our books like this one.

Kindly say, the Mazda Mpv 2008 Manual is universally compatible with any devices to read

http://www.armchairempire.com/files/detail/Download_PDFS/grammar%20and%20proofreading%20course%20grammar%20and%20proofreading%20course.pdf

Table of Contents Mazda Mpv 2008 Manual

1. Understanding the eBook Mazda Mpv 2008 Manual
 - The Rise of Digital Reading Mazda Mpv 2008 Manual
 - Advantages of eBooks Over Traditional Books
2. Identifying Mazda Mpv 2008 Manual
 - Exploring Different Genres
 - Considering Fiction vs. Non-Fiction
 - Determining Your Reading Goals
3. Choosing the Right eBook Platform
 - Popular eBook Platforms
 - Features to Look for in an Mazda Mpv 2008 Manual
 - User-Friendly Interface
4. Exploring eBook Recommendations from Mazda Mpv 2008 Manual

- Personalized Recommendations
- Mazda Mpv 2008 Manual User Reviews and Ratings
- Mazda Mpv 2008 Manual and Bestseller Lists
- 5. Accessing Mazda Mpv 2008 Manual Free and Paid eBooks
 - Mazda Mpv 2008 Manual Public Domain eBooks
 - Mazda Mpv 2008 Manual eBook Subscription Services
 - Mazda Mpv 2008 Manual Budget-Friendly Options
- 6. Navigating Mazda Mpv 2008 Manual eBook Formats
 - ePub, PDF, MOBI, and More
 - Mazda Mpv 2008 Manual Compatibility with Devices
 - Mazda Mpv 2008 Manual Enhanced eBook Features
- 7. Enhancing Your Reading Experience
 - Adjustable Fonts and Text Sizes of Mazda Mpv 2008 Manual
 - Highlighting and Note-Taking Mazda Mpv 2008 Manual
 - Interactive Elements Mazda Mpv 2008 Manual
- 8. Staying Engaged with Mazda Mpv 2008 Manual
 - Joining Online Reading Communities
 - Participating in Virtual Book Clubs
 - Following Authors and Publishers Mazda Mpv 2008 Manual
- 9. Balancing eBooks and Physical Books Mazda Mpv 2008 Manual
 - Benefits of a Digital Library
 - Creating a Diverse Reading Collection Mazda Mpv 2008 Manual
- 10. Overcoming Reading Challenges
 - Dealing with Digital Eye Strain
 - Minimizing Distractions
 - Managing Screen Time
- 11. Cultivating a Reading Routine Mazda Mpv 2008 Manual
 - Setting Reading Goals Mazda Mpv 2008 Manual
 - Carving Out Dedicated Reading Time
- 12. Sourcing Reliable Information of Mazda Mpv 2008 Manual

- Fact-Checking eBook Content of Mazda Mpv 2008 Manual
 - Distinguishing Credible Sources
13. Promoting Lifelong Learning
- Utilizing eBooks for Skill Development
 - Exploring Educational eBooks
14. Embracing eBook Trends
- Integration of Multimedia Elements
 - Interactive and Gamified eBooks

Mazda Mpv 2008 Manual Introduction

In this digital age, the convenience of accessing information at our fingertips has become a necessity. Whether its research papers, eBooks, or user manuals, PDF files have become the preferred format for sharing and reading documents. However, the cost associated with purchasing PDF files can sometimes be a barrier for many individuals and organizations. Thankfully, there are numerous websites and platforms that allow users to download free PDF files legally. In this article, we will explore some of the best platforms to download free PDFs. One of the most popular platforms to download free PDF files is Project Gutenberg. This online library offers over 60,000 free eBooks that are in the public domain. From classic literature to historical documents, Project Gutenberg provides a wide range of PDF files that can be downloaded and enjoyed on various devices. The website is user-friendly and allows users to search for specific titles or browse through different categories. Another reliable platform for downloading Mazda Mpv 2008 Manual free PDF files is Open Library. With its vast collection of over 1 million eBooks, Open Library has something for every reader. The website offers a seamless experience by providing options to borrow or download PDF files. Users simply need to create a free account to access this treasure trove of knowledge. Open Library also allows users to contribute by uploading and sharing their own PDF files, making it a collaborative platform for book enthusiasts. For those interested in academic resources, there are websites dedicated to providing free PDFs of research papers and scientific articles. One such website is Academia.edu, which allows researchers and scholars to share their work with a global audience. Users can download PDF files of research papers, theses, and dissertations covering a wide range of subjects. Academia.edu also provides a platform for discussions and networking within the academic community. When it comes to downloading Mazda Mpv 2008 Manual free PDF files of magazines, brochures, and catalogs, Issuu is a popular choice. This digital publishing platform hosts a vast collection of publications from around the world. Users can search for specific titles or explore various categories and genres. Issuu offers a seamless reading experience with its user-friendly interface and allows users to download PDF files for offline reading. Apart from dedicated

platforms, search engines also play a crucial role in finding free PDF files. Google, for instance, has an advanced search feature that allows users to filter results by file type. By specifying the file type as "PDF," users can find websites that offer free PDF downloads on a specific topic. While downloading Mazda Mpv 2008 Manual free PDF files is convenient, it's important to note that copyright laws must be respected. Always ensure that the PDF files you download are legally available for free. Many authors and publishers voluntarily provide free PDF versions of their work, but it's essential to be cautious and verify the authenticity of the source before downloading Mazda Mpv 2008 Manual. In conclusion, the internet offers numerous platforms and websites that allow users to download free PDF files legally. Whether it's classic literature, research papers, or magazines, there is something for everyone. The platforms mentioned in this article, such as Project Gutenberg, Open Library, Academia.edu, and Issuu, provide access to a vast collection of PDF files. However, users should always be cautious and verify the legality of the source before downloading Mazda Mpv 2008 Manual any PDF files. With these platforms, the world of PDF downloads is just a click away.

FAQs About Mazda Mpv 2008 Manual Books

What is a Mazda Mpv 2008 Manual PDF? A PDF (Portable Document Format) is a file format developed by Adobe that preserves the layout and formatting of a document, regardless of the software, hardware, or operating system used to view or print it. **How do I create a Mazda Mpv 2008 Manual PDF?** There are several ways to create a PDF: Use software like Adobe Acrobat, Microsoft Word, or Google Docs, which often have built-in PDF creation tools. Print to PDF: Many applications and operating systems have a "Print to PDF" option that allows you to save a document as a PDF file instead of printing it on paper. Online converters: There are various online tools that can convert different file types to PDF. **How do I edit a Mazda Mpv 2008 Manual PDF?** Editing a PDF can be done with software like Adobe Acrobat, which allows direct editing of text, images, and other elements within the PDF. Some free tools, like PDFescape or Smallpdf, also offer basic editing capabilities. **How do I convert a Mazda Mpv 2008 Manual PDF to another file format?** There are multiple ways to convert a PDF to another format: Use online converters like Smallpdf, Zamzar, or Adobe Acrobat's export feature to convert PDFs to formats like Word, Excel, JPEG, etc. Software like Adobe Acrobat, Microsoft Word, or other PDF editors may have options to export or save PDFs in different formats. **How do I password-protect a Mazda Mpv 2008 Manual PDF?** Most PDF editing software allows you to add password protection. In Adobe Acrobat, for instance, you can go to "File" -> "Properties" -> "Security" to set a password to restrict access or editing capabilities. Are there any free alternatives to Adobe Acrobat for working with PDFs? Yes, there are many free alternatives for working with PDFs, such as: LibreOffice: Offers PDF editing features. PDFsam: Allows splitting, merging, and editing PDFs. Foxit Reader: Provides basic PDF viewing and

editing capabilities. How do I compress a PDF file? You can use online tools like Smallpdf, ILovePDF, or desktop software like Adobe Acrobat to compress PDF files without significant quality loss. Compression reduces the file size, making it easier to share and download. Can I fill out forms in a PDF file? Yes, most PDF viewers/editors like Adobe Acrobat, Preview (on Mac), or various online tools allow you to fill out forms in PDF files by selecting text fields and entering information. Are there any restrictions when working with PDFs? Some PDFs might have restrictions set by their creator, such as password protection, editing restrictions, or print restrictions. Breaking these restrictions might require specific software or tools, which may or may not be legal depending on the circumstances and local laws.

Find Mazda Mpv 2008 Manual :

~~grammar and proofreading course~~ ~~grammar and proofreading course~~

graduations speeches to special education students

grammar friends 2 oxford

grade 12 life science november 2013 memo

grade 10 accounting question papers

grade 12 egd pat memo

~~grade 11 business question papers~~

graf zwergenl tt dahomey luca zambesi ebook

grace jantzen grace jantzen

grade 11 maths paper 2 june 2013

~~gradpoint answers for pre-calculus~~

grade math diagnosis and interention answer guide

~~grade 5 proofreading~~

grammar files blue edition teachers book soluzioni

~~grammar and language workbook grade 7 answer key~~

Mazda Mpv 2008 Manual :

misch complicaciones en implantología oral google books - Oct 08 2023

web complicaciones en implantología oral randolph resnik carl e misch google books mediante protocolos de tratamiento muy claros y basados en la evidencia esta acreditada guía ayuda a

descargar misch complicaciones en implantología oral libros - Jan 19 2022

web may 24 2018 los autores hacen un análisis exhaustivo de las complicaciones que pueden producirse en las diferentes fases de la implantología oral y proporcionan los

misch complicaciones en implantología oral spanish edition - Dec 30 2022

web misch complicaciones en implantología oral 159 07 151 12 mediante protocolos de tratamiento muy claros y basados en la evidencia esta acreditada guía ayuda a afrontar

misch complicaciones en implantología oral on apple books - Nov 16 2021

misch complicaciones en implantología oral google play - Aug 06 2023

web complicaciones en implantología oral by randolph resnik carl e misch books on google play misch complicaciones en implantología oral randolph resnik carl e

misch complicaciones en implantología oral 9788491132882 us - Sep 07 2023

web descripción detalles obra que aborda una amplia variedad de complicaciones implantológicas como las derivadas de la inserción la mala colocación el sangrado las

misch complicaciones en implantología oral 1 edición - Oct 28 2022

web descripción del libro obra que aborda una amplia variedad de complicaciones implantológicas como las derivadas de la inserción la mala colocación el sangrado las

misch complicaciones en implantología oral gaceta dental - Nov 28 2022

web misch complicaciones en implantología oral 1 edición randolph r resnick año 2018 páginas 904 edición 1 edición idioma español peso 1950 gr ancho 216 mm largo

misch complicaciones en implantología oral ebook - Jan 31 2023

web misch complicaciones en implantología oral spanish edition 1st edición edición kindle por especialistas destacados en implantología que facilitan un sistema de eficacia

misch complicaciones en implantología oral - Jul 05 2023

web mediante protocolos de tratamiento muy claros y basados en la evidencia esta acreditada guía ayuda a afrontar las complicaciones implantológicas aborda una amplia variedad

misch complicaciones en implantología oral 2018 edimeinter - Sep 26 2022

web complicaciones en implantología oral randolph resnik carl e misch obra que aborda una amplia variedad de complicaciones implantológicas como las derivadas de

libro complicaciones en implantología oral ovi dental - Jun 23 2022

web misch complicaciones en implantología oral 1 edición autores robert resnick obra que aborda una amplia variedad de complicaciones implantológicas como las derivadas de

misch complicaciones en implantología oral e kitap randolph - Apr 02 2023

web 1 clasificación de las complicaciones de los implantes dentales 2 complicaciones médicas farmacológicas en implantología oral 3 complicaciones durante la

misch complicaciones en implantología oral - May 23 2022

web complicaciones en implantologia oral randolph resnik y carl e misch puntos clave mediante protocolos de tratamiento muy claros y basados en la evidencia

misch complicaciones en implantologia oral - Dec 18 2021

misch complicaciones en implantologia oral - Mar 21 2022

web descargar misch complicaciones en implantología oral libros gratis en pdf epub descargar libro misch complicaciones en implantología oral mediante protocolos

misch complicaciones en implantología oral open library - May 03 2023

web bir randolph resnik dmd mds eseri olan misch complicaciones en implantología oral e kitap olarak en cazip fiyat ile d r de keşfetmek için hemen tıklayınız

misch complicaciones en implantología oral por robert resnick - Apr 21 2022

web misch complicaciones en implantología oral por randolph resnik carl e misch isbn 9788491132882 tema odontología editorial elsevier limited uk

misch complicaciones en implantología oral por randolph - Feb 17 2022

web misch complicaciones en implantologia oral downloaded from eagldemo2 eagltechnology com by guest ballard heath the dentist s drug and

misch complicaciones en implantología oral tapa dura - Jun 04 2023

web may 24 2018 complicaciones en implantología oral by randolph r resnik carl e misch s l drk edicion may 24 2018 elsevier españa s l u edition hardcover

misch complicaciones en implantología oral unibe - Mar 01 2023

web may 24 2018 mediante protocolos de tratamiento muy claros y basados en la evidencia esta acreditada guía ayuda a afrontar las complicaciones implantol

implantologia contemporanea carl e misch - Aug 26 2022

web jan 21 2020 los autores hacen un análisis exhaustivo de las complicaciones que pueden producirse en las diferentes

fases de la implantología oral y proporcionan los

misch complicaciones en implantología oral libros de - Jul 25 2022

web descargar libro misch complicaciones en implantología oral mediante protocolos de tratamiento muy claros y basados en la evidencia esta acreditada guía ayuda a afrontar

sample action research report sage publications inc - Oct 10 2021

web sample action research report 1 abstract effect of technology on enthusiasm for learning science jane l hollis lake city middle school lake city florida the effect of technology on students enthusiasm for learning science both at school and away from school was investigated

action research 13 examples format pdf examples - Feb 23 2023

web 13 action research examples 1 research action plan template 2 research corrective action plan template 3 research project action plan template 4 sample action research example 5 action orientation research example 6 art article action research example 7 basic action research example 8 five phases of action

what is action research sage publications inc - Oct 22 2022

web field different models and definitions of action research are explored and an attempt is made to identify the unique features of action research that should make it an attractive mode of research for healthcare practitioners examples of action research projects undertaken by healthcare

pdf action research a tool for improving teacher quality and - Aug 20 2022

web jan 1 2006 action research ar is a practical and iterative research methodology and tool used by educators to conduct research in classrooms to identify strategies to examine and ultimately

what is action research definition examples scribbr - Jun 17 2022

web published on 27 january 2023 by tegan george revised on 21 april 2023 action research is a research method that aims to simultaneously investigate and solve an issue in other words as its name suggests action research conducts research and takes action at the same time

pdf sample action research proposal academia edu - Sep 20 2022

web the study employed the causal comparative descriptive research method instruments used included an achievement test to measure performance involving mathematical concepts in chemistry level of mathematics anxiety scale to measure anxiety levels attitude toward chemistry scale and learning style reference

an action research on improving classroom communication and hindawi - Mar 27 2023

web apr 4 2021 revised 13 aug 2021 accepted 15 sept 2021 published 12 oct 2021 abstract the aim of this research is to reveal how communication and interaction in classrooms can be enhanced with the communicative approach

action research springerlink - Jan 13 2022

web jan 1 2023 as the name suggests action research is an approach to research which aims at both taking action and creating knowledge or theory about that action as the action unfolds it rejects the notion that research must be value free in order to be credible in favor an explicitly socially engaged and democratic practice brydon miller et al 2003

action research sage journals - Dec 24 2022

web oct 27 2023 action research is an international interdisciplinary peer reviewed quarterly published refereed journal which is a forum for the development of the theory and practice of action research the journal publishes quality articles on accounts of view full journal description

supplemental evidence and data request on trauma informed - Dec 12 2021

web 1 day ago the agency for healthcare research and quality has commissioned the evidence based practice centers epc program to complete a review of the evidence for trauma informed care ahrq is conducting this review pursuant to section 902 of the public health service act 42 u s c 299a the epc program is dedicated to identifying

sample action research proposal academia edu - Nov 10 2021

web sample action research proposal sandra elizabeth panambo see full pdf download pdf related papers chapter i introduction background of the study norhane dumato jenny gargantos download free pdf view

pdf completed action research jigsaw - Sep 01 2023

web oct 3 2020 article full text available improving mathematics performance among grade 11 students through jigsaw technique this action research aimed to improve the mathematics performance of 56 grade 11

90 action research essay topic ideas examples ivypanda - Sep 08 2021

web sep 26 2023 the participatory action research is therefore a technique used to solve common problems first participatory action research unlike common problem solving activities is a scientific study and therefore follows the scientific systematic process all you need to know about action research by mcNiff whitehead

sample action research about education teacherph - Jun 29 2023

web sample action research courtesy of sir kenneth d hernandez car phd admin teacherph facebook group this is my promised action research by one of the teachers at victoria reyes elementary school notice that it was conducted only for a week and the statistics used are very simple yet the interpretation is meaty

pdf action research - Nov 22 2022

web jan 1 2015 pdf action research ar is a research approach that is grounded in practical action the action component while at the same time focused on find read and cite all the research you need

action research essay examples only the best to spark your - May 17 2022

web essays on action research 38 samples on this topic crafting gobs of action research papers is an inherent part of modern studying be it in high school college or university if you can do that all by yourself that s just awesome yet other learners might not be that lucky as action research writing can be quite challenging

what is action research definition examples scribbr - Jul 31 2023

web jan 27 2023 there are 2 common types of action research participatory action research and practical action research participatory action research emphasizes that participants should be members of the community being studied empowering those directly affected by outcomes of said research

14 sample action research report in pdf ms word - Apr 15 2022

web what are some examples of action research reports some examples of action research reports are action research final report teacher action research report action research announcement report school action research report action research master report action research study report action research summary report sample action research

who outlines crucial research priorities for better refugee and - Feb 11 2022

web oct 30 2023 the world health organization who has published its first ever global research agenda on health migration and displacement to guide research efforts to understand and address the health needs of migrants refugees and all forcibly displaced populations and shape responsive policies and practices worldwide there are one billion

21 action research examples in education 2023 helpful - Oct 02 2023

web oct 26 2023 there are several steps in action research identify a problem design a plan to resolve implement the plan evaluate effectiveness reflect on results make necessary adjustment and repeat the process contents show action research examples

9 sample action research proposal in pdf ms word - Jul 19 2022

web below are different types of action research proposals that you may consider 1 individual research proposal one teacher tutor counselor school administrator or staff member is usually the person who conducts an individual research in order to analyze a specific task

action research what it is stages examples questionpro - May 29 2023

web this post discusses how action research generates knowledge its steps and real life examples it is very applicable to the field of research and has a high level of relevance we can only state that the purpose of this research is

deped action research topics and sample titles teacherph - Jan 25 2023

web apr 18 2023 action research that would improve teaching and learning and school governance matters arising from sip analysis and learning action cells sessions that require further investigation not more than php30 000 per research regular school heads teachers and qualified non teaching personnel maximum of 6 months

1 what is action research for classroom teachers - Mar 15 2022

web it is a process to gather evidence to implement change in practices action research is participative and collaborative it is undertaken by individuals with a common purpose action research is situation and context based action research develops reflection practices based on the interpretations made by participants

pdf action research proposal template - Apr 27 2023

web pdf on may 16 2021 mercedita dampog and others published action research proposal template find read and cite all the research you need on researchgate

le voyageur affama c la bia re a paris - May 15 2023

can be all best area within net connections if you wish to download and install the le voyageur affama c la bia re a paris it is completely easy then past currently we extend the partner to buy and make bargains to download and install le voyageur affama c la bia re a paris for that reason simple postal services bill great britain

le voyageur affama c la bia re a paris charles lebrun book - Aug 18 2023

le voyageur affama c la bia re a paris is available in our digital library an online access to it is set as public so you can download it instantly our digital library spans in multiple countries allowing you to get the most less latency time to download any of our books like this one

cinéma voyageur libre et ambulante - Jun 04 2022

des jeunes hommes en situation d'exil utilisent ce film comme un espace libre de parole nous écoutons leurs peurs leurs pensées leurs rêves et tous ensemble nous réfléchissons à comment faire tomber les frontières ainsi qu'aux façons de construire des espaces de libertés et de solidarités multiples

le voyageur affama c la bia re a paris olga knipper 2022 - Sep 07 2022

jan 23 2023 le voyageur affama c la bia re a paris is user friendly in our digital library an online entrance to it is set as public fittingly you can download it instantly

le voyageur film 2016 allociné - Aug 06 2022

jun 3 2019 synopsis adnan agent de voyages d'une petite ville du liban a toujours rêvé de parcourir le monde mais n'a jamais eu la chance de quitter son pays les récits de ses clients résonnent al

le voyageur affama c la bia re a paris unifi - Feb 12 2023

le voyageur affama c la bia re a paris 1 le voyageur affama c la bia re a paris the only street in paris life on the rue des martyrs les éditions glm 1923 1974 guide du routard lisbonne 2022 23 portugal Œuvres romanesques les plaisirs du voyage les agraites le prêtre jean le toison d'or villeperdue feux d'artifice à zanzibar

le voyageur affama c la bia re a paris secure mowtampa - Jun 16 2023

le voyageur affama c la bia re a paris 1 le voyageur affama c la bia re a paris histoire de la réformation française portugal les editions glm 1923 1974 portugal madère açores guide du routard portugal 2019 À la carte portugal em africa guide du routard lisbonne et ses environs 2021 22 l univers histoire et description de tous les

le voyageur affamé la bière à paris by elisabeth pierre - Apr 14 2023

fetching le voyageur affamé la bière à paris by elisabeth pierre accordingly uncomplicated so are you question just perform exercises just what we meet the outlay of under as adeptly as review le voyageur affamé la bière à paris by elisabeth pierre what you like to read in the path of them is this le voyageur affamé la bière à

tourisme et voyage collection voyageur affame fnac - Oct 08 2022

mar 26 2019 la collection voyageur affame au meilleur prix à la fnac plus de 25 tourisme et voyage voyageur affame en stock neuf ou d occasion libÉrons la fnac com livres voyage biblionet la librairie bsf livres thome media le lieu bleu ammareal kamehameha diced deals lili france planetesolde momox gibertjoseph bourseauxlivres

le voyageur affama c la bia re a paris uniport edu - Jul 05 2022

apr 25 2023 le voyageur affama c la bia re a paris 2 6 downloaded from uniport edu ng on april 25 2023 by guest

remarkable images are fifty engaging poignant and often funny written vignettes by parke which reveal the very human man behind the reclusive superstar from shooting hoops to

le voyageur affama c la bia re a paris pdf uniport edu - Apr 02 2022

may 20 2023 le voyageur affama c la bia re a paris 2 6 downloaded from uniport edu ng on may 20 2023 by guest

experience when following the suggested order this series contains dark elements including over the top antiheroes who do as they please read at your own discretion epistola ii quillan medical aspects of space flight frank burkhart voris 1964

le voyageur affamé la bière à paris by elisabeth pierre - Jan 11 2023

le voyageur affamé la bière à paris by elisabeth pierre le live marseille aller dans les plus grandes soires april 30th 2020 ne ratez pas les nouveaux rendez vous du live le mercredi

le voyageur affamé la bière à paris by elisabeth pierre - Jul 17 2023

complet comme un guide et pratique comme une carte le voyageur affamé vous fait découvrir la gastronomie d une ville afin d en comprendre les spécificités et les habitudes alimentaires reflet de leurs pratiques sociales l alimentation révèle en effet la manière de vivre d une ville et de ses habitants affamé de découvertes de

le voyageur sur france 3 que vaut le téléfilm avec eric - Dec 10 2022

may 28 2019 france 3 diffuse ce soir le téléfilm le voyageur porté par eric cantona dans la peau d un flic itinérant qui traque les meurtriers à travers le pays faut il regarder cet unitaire policier

le voyageur affama c la bia re a paris copy uniport edu - Mar 01 2022

apr 16 2023 le voyageur affama c la bia re a paris thank you for reading le voyageur affama c la bia re a paris as you may know people have look hundreds times for their chosen novels like this le voyageur affama c la bia re a paris but end up in malicious downloads rather than reading a good book with a cup of coffee in the afternoon instead

le voyageur affamé la bière à paris by elisabeth pierre - Mar 13 2023

jun 4 2023 un pliage original et exclusif vous visualisez d un seul coup d oeil le plan et les informations sur les adresses sélectionnées sans avoir à tourner et retourner la carte complet comme un guide et pratique comme une carte le voyageur affamé vous fait découvrir la gastronomie d une ville afin d en comprendre les

le voyageur affama c la bia re a paris pdf uniport edu - Nov 09 2022

apr 17 2023 le voyageur affama c la bia re a paris 2 6 downloaded from uniport edu ng on april 17 2023 by guest business deal goes awry laird callum mcrae is in over his head struggling to keep his castle afloat he knows exactly what he has to do to save his family of brothers collecting a debt from the corrupt man who swindled him is his only mission

le voyageur affamé la bière à paris by elisabeth pierre - Jan 31 2022

grâce à un pliage original et exclusif vous visualisez d un seul coup d oeil le plan et les informations sur les adresses sélectionnées sans avoir à tourner et retourner la carte complet comme un guide et pratique comme une carte le voyageur affamé vous fait découvrir la gastronomie d une ville afin d en comprendre les spécificités

le voyageur affama c la bia re a paris pdf uniport edu - May 03 2022

jun 11 2023 le voyageur affama c la bia re a paris 2 6 downloaded from uniport edu ng on june 11 2023 by guest rescue isn t the same feisty woman they stole her soul is broken her heart is hollow like mine because of the things she s seen she needs me in a way i ve never known and i will destroy the man who shattered what s mine

le voyageur affama c la bia re a paris pdf - Sep 19 2023

le voyageur affama c la bia re a paris sonata in g minor for violin henry purcell 1903 theater and film robert knopf 2008 10 01 this is the first book in more than twenty five years to examine the complex historical cultural and aesthetic relationship between theater and film and the effect that each has had on the other s