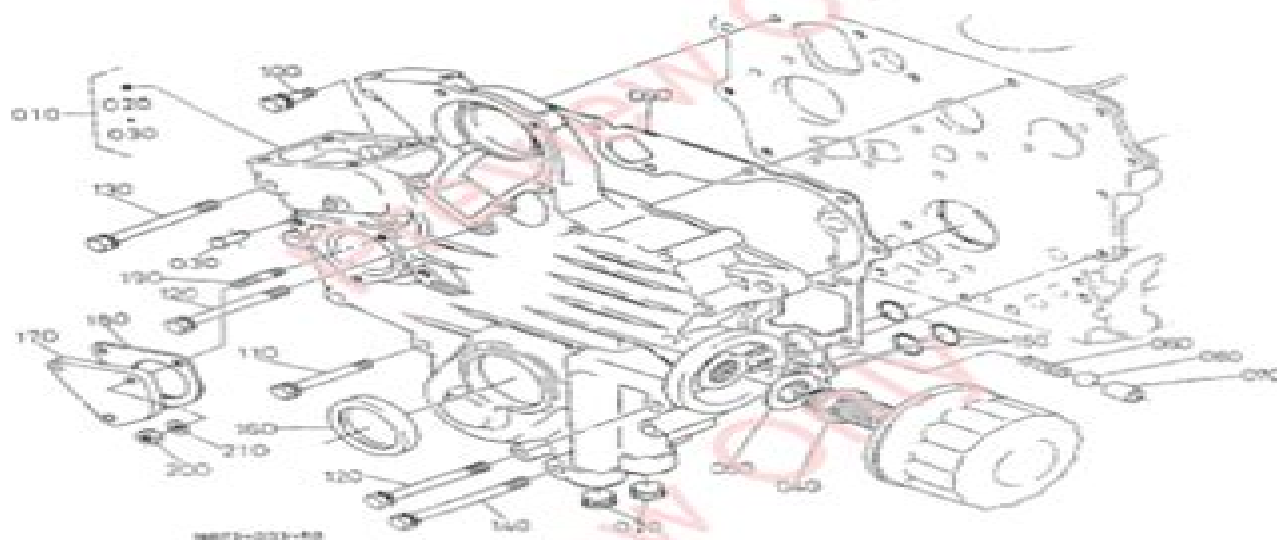


0004

GEAR CASE
CARTER DE DISTRIBUTION
GETRIEBEGEHAUSE

B02-R



9873-003-00

A:0722-EB-K001-1

REF. No. POS. No. BILD-Nr.	PART No. REFERENCE BESTELL-Nr.	PART NAME	DESIGNATION	BEZEICHNUNG	QTY. STÜCKE	REMARKS BEMERKUNGEN
010	16689-0402-0	COMP. CASE GEAR	CARTER GEAR COMP.	OMP. GETRIEBEGEHAUSE	1	
020	16851-9601-0	PLUG	BOUCHON	STOPPER	2	
030	15841-5628-0	PIN, START SPRING	GOUPILLE DU BRESSORT	STARTFEDERSTIFT	1	
040	15241-3229-0	JOINT, PIPE	RACCORD DE TUYAU	VERBINDUNGSSTÜCK	1	
050	15841-9401-0	WASHER, FLAIN	BONDELLE FREIN	SCHLEIBE	1	
060	16851-3695-0	SPRING	BRESSORT	FEDER	1	
070	15841-3693-0	SEAT, VALVE	SIÈGE DE SOUPE	SITZ, WENTIL	1	
080	07715-03211	BALL	BILLE	KUGEL	1	
090	15862-0413-2	GASKET, GEAR CASE IN	JOINT DE CARTER-DIS.	DICHTUNG, GETR. GET	1	
100	01023-50618	BOLT	VIS	BOLZEN	1	
110	01023-60650	BOLT	VIS	BOLZEN	8	
120	15841-9101-0	BOLT	VIS	BOLZEN	5	
130	01023-60670	BOLT	VIS	BOLZEN	1	
140	01023-50675	BOLT	VIS	BOLZEN	1	
150	04814-06130	O RING	JOINT TORIQUE	O RING	3	
160	15877-0414-0	SEAL, OIL	BAGUE JOINT	ÖLDICHTUNGSRING	1	
170	19461-8334-0	COVER	COUVERCLE	DECKEL	1	
180	19461-8813-2	GASKET, W/M GEAR CASE	JOINT	DICHTUNG	1	
190	15221-8821-0	STUD	BOULON	STÜBBLÖSEN	3	
200	02056-50060	NUT	ECROU	MUTTER	3	
210	04512-80060	WASHER, SPRING	BONDELLE DRIVER	FEDERRING	3	

Kubota D722 Engine Master Parts Manual

Tobias Bleicker



Kubota D722 Engine Master Parts Manual:

Parts List, V-1902-B Kubota Diesel Engine ,198? Operator's Instruction Manual and Repair Parts List, Series "R"
Engines Hill diesel engine company, Aerojet Engine Service Manual Aerojet-General Corporation,195? **Parts Manual**
Caterpillar Inc. Peoria, Ill.,1994 **Parts Manual** Caterpillar Inc. Peoria, Ill.,1992

Embark on a transformative journey with Written by is captivating work, Grab Your Copy of **Kubota D722 Engine Master Parts Manual** . This enlightening ebook, available for download in a convenient PDF format Download in PDF: , invites you to explore a world of boundless knowledge. Unleash your intellectual curiosity and discover the power of words as you dive into this riveting creation. Download now and elevate your reading experience to new heights .

<http://www.armchairempire.com/data/virtual-library/fetch.php/hsys%202013%20training%20manual.pdf>

Table of Contents Kubota D722 Engine Master Parts Manual

1. Understanding the eBook Kubota D722 Engine Master Parts Manual
 - The Rise of Digital Reading Kubota D722 Engine Master Parts Manual
 - Advantages of eBooks Over Traditional Books
2. Identifying Kubota D722 Engine Master Parts Manual
 - Exploring Different Genres
 - Considering Fiction vs. Non-Fiction
 - Determining Your Reading Goals
3. Choosing the Right eBook Platform
 - Popular eBook Platforms
 - Features to Look for in a Kubota D722 Engine Master Parts Manual
 - User-Friendly Interface
4. Exploring eBook Recommendations from Kubota D722 Engine Master Parts Manual
 - Personalized Recommendations
 - Kubota D722 Engine Master Parts Manual User Reviews and Ratings
 - Kubota D722 Engine Master Parts Manual and Bestseller Lists
5. Accessing Kubota D722 Engine Master Parts Manual Free and Paid eBooks
 - Kubota D722 Engine Master Parts Manual Public Domain eBooks
 - Kubota D722 Engine Master Parts Manual eBook Subscription Services
 - Kubota D722 Engine Master Parts Manual Budget-Friendly Options

6. Navigating Kubota D722 Engine Master Parts Manual eBook Formats
 - ePub, PDF, MOBI, and More
 - Kubota D722 Engine Master Parts Manual Compatibility with Devices
 - Kubota D722 Engine Master Parts Manual Enhanced eBook Features
7. Enhancing Your Reading Experience
 - Adjustable Fonts and Text Sizes of Kubota D722 Engine Master Parts Manual
 - Highlighting and Note-Taking Kubota D722 Engine Master Parts Manual
 - Interactive Elements Kubota D722 Engine Master Parts Manual
8. Staying Engaged with Kubota D722 Engine Master Parts Manual
 - Joining Online Reading Communities
 - Participating in Virtual Book Clubs
 - Following Authors and Publishers Kubota D722 Engine Master Parts Manual
9. Balancing eBooks and Physical Books Kubota D722 Engine Master Parts Manual
 - Benefits of a Digital Library
 - Creating a Diverse Reading Collection Kubota D722 Engine Master Parts Manual
10. Overcoming Reading Challenges
 - Dealing with Digital Eye Strain
 - Minimizing Distractions
 - Managing Screen Time
11. Cultivating a Reading Routine Kubota D722 Engine Master Parts Manual
 - Setting Reading Goals Kubota D722 Engine Master Parts Manual
 - Carving Out Dedicated Reading Time
12. Sourcing Reliable Information of Kubota D722 Engine Master Parts Manual
 - Fact-Checking eBook Content of Kubota D722 Engine Master Parts Manual
 - Distinguishing Credible Sources
13. Promoting Lifelong Learning
 - Utilizing eBooks for Skill Development
 - Exploring Educational eBooks
14. Embracing eBook Trends
 - Integration of Multimedia Elements

- Interactive and Gamified eBooks

Kubota D722 Engine Master Parts Manual Introduction

Free PDF Books and Manuals for Download: Unlocking Knowledge at Your Fingertips In today's fast-paced digital age, obtaining valuable knowledge has become easier than ever. Thanks to the internet, a vast array of books and manuals are now available for free download in PDF format. Whether you are a student, professional, or simply an avid reader, this treasure trove of downloadable resources offers a wealth of information, conveniently accessible anytime, anywhere. The advent of online libraries and platforms dedicated to sharing knowledge has revolutionized the way we consume information. No longer confined to physical libraries or bookstores, readers can now access an extensive collection of digital books and manuals with just a few clicks. These resources, available in PDF, Microsoft Word, and PowerPoint formats, cater to a wide range of interests, including literature, technology, science, history, and much more. One notable platform where you can explore and download free Kubota D722 Engine Master Parts Manual PDF books and manuals is the internet's largest free library. Hosted online, this catalog compiles a vast assortment of documents, making it a veritable goldmine of knowledge. With its easy-to-use website interface and customizable PDF generator, this platform offers a user-friendly experience, allowing individuals to effortlessly navigate and access the information they seek. The availability of free PDF books and manuals on this platform demonstrates its commitment to democratizing education and empowering individuals with the tools needed to succeed in their chosen fields. It allows anyone, regardless of their background or financial limitations, to expand their horizons and gain insights from experts in various disciplines. One of the most significant advantages of downloading PDF books and manuals lies in their portability. Unlike physical copies, digital books can be stored and carried on a single device, such as a tablet or smartphone, saving valuable space and weight. This convenience makes it possible for readers to have their entire library at their fingertips, whether they are commuting, traveling, or simply enjoying a lazy afternoon at home. Additionally, digital files are easily searchable, enabling readers to locate specific information within seconds. With a few keystrokes, users can search for keywords, topics, or phrases, making research and finding relevant information a breeze. This efficiency saves time and effort, streamlining the learning process and allowing individuals to focus on extracting the information they need. Furthermore, the availability of free PDF books and manuals fosters a culture of continuous learning. By removing financial barriers, more people can access educational resources and pursue lifelong learning, contributing to personal growth and professional development. This democratization of knowledge promotes intellectual curiosity and empowers individuals to become lifelong learners, promoting progress and innovation in various fields. It is worth noting that while accessing free Kubota D722 Engine Master Parts Manual PDF books and manuals is convenient and cost-effective, it is vital to respect copyright laws and intellectual property rights. Platforms offering free

downloads often operate within legal boundaries, ensuring that the materials they provide are either in the public domain or authorized for distribution. By adhering to copyright laws, users can enjoy the benefits of free access to knowledge while supporting the authors and publishers who make these resources available. In conclusion, the availability of Kubota D722 Engine Master Parts Manual free PDF books and manuals for download has revolutionized the way we access and consume knowledge. With just a few clicks, individuals can explore a vast collection of resources across different disciplines, all free of charge. This accessibility empowers individuals to become lifelong learners, contributing to personal growth, professional development, and the advancement of society as a whole. So why not unlock a world of knowledge today? Start exploring the vast sea of free PDF books and manuals waiting to be discovered right at your fingertips.

FAQs About Kubota D722 Engine Master Parts Manual Books

What is a Kubota D722 Engine Master Parts Manual PDF? A PDF (Portable Document Format) is a file format developed by Adobe that preserves the layout and formatting of a document, regardless of the software, hardware, or operating system used to view or print it. **How do I create a Kubota D722 Engine Master Parts Manual PDF?** There are several ways to create a PDF: Use software like Adobe Acrobat, Microsoft Word, or Google Docs, which often have built-in PDF creation tools. Print to PDF: Many applications and operating systems have a "Print to PDF" option that allows you to save a document as a PDF file instead of printing it on paper. Online converters: There are various online tools that can convert different file types to PDF. **How do I edit a Kubota D722 Engine Master Parts Manual PDF?** Editing a PDF can be done with software like Adobe Acrobat, which allows direct editing of text, images, and other elements within the PDF. Some free tools, like PDFescape or Smallpdf, also offer basic editing capabilities. **How do I convert a Kubota D722 Engine Master Parts Manual PDF to another file format?** There are multiple ways to convert a PDF to another format: Use online converters like Smallpdf, Zamzar, or Adobe Acrobats export feature to convert PDFs to formats like Word, Excel, JPEG, etc. Software like Adobe Acrobat, Microsoft Word, or other PDF editors may have options to export or save PDFs in different formats. **How do I password-protect a Kubota D722 Engine Master Parts Manual PDF?** Most PDF editing software allows you to add password protection. In Adobe Acrobat, for instance, you can go to "File" -> "Properties" -> "Security" to set a password to restrict access or editing capabilities. Are there any free alternatives to Adobe Acrobat for working with PDFs? Yes, there are many free alternatives for working with PDFs, such as: LibreOffice: Offers PDF editing features. PDFsam: Allows splitting, merging, and editing PDFs. Foxit Reader: Provides basic PDF viewing and editing capabilities. **How do I compress a PDF file?** You can use online tools like Smallpdf, ILovePDF, or desktop software like Adobe Acrobat to compress PDF files without significant quality loss. Compression reduces the file size, making it easier to share

and download. Can I fill out forms in a PDF file? Yes, most PDF viewers/editors like Adobe Acrobat, Preview (on Mac), or various online tools allow you to fill out forms in PDF files by selecting text fields and entering information. Are there any restrictions when working with PDFs? Some PDFs might have restrictions set by their creator, such as password protection, editing restrictions, or print restrictions. Breaking these restrictions might require specific software or tools, which may or may not be legal depending on the circumstances and local laws.

Find Kubota D722 Engine Master Parts Manual :

[hysys 2013 training manual](#)

hyundai santa fe 2009 crdi workshop manual

[hyundai n220w manual](#)

hyundai tucson 2011 user manual

[hyundai tiburon complete workshop repair manual 2002 2003 2004 2005 2006 2007 2008](#)

[hyundai wheel loader hl757 9 operating manual](#)

hyundai elantra haynes repair manual 43010

[hyundai sonata 2015 mechanical manual](#)

hyundai tiburon 2007 workshop service repair manual

[hyundai wheel loader hl740 3 0848 factory service repair workshop manual instant](#)

[hyundai sonata 2006 service manual](#)

[hyundai hl780 3 wheel loader operating manual](#)

[hyster h50ft forklift manual](#)

[hyundai tiburon service repair manuals](#)

hyundai r36n 7 mini excavator workshop service repair manual

Kubota D722 Engine Master Parts Manual :

teacher resources macmillan education - Sep 23 2022

web our achieve digital platform include all instructor resources help teachers customize meaningful lessons and lectures and come with a wide range of assessment tools a

macmillan english campus teacher s guide - Dec 27 2022

web ready for b2 first 4th edition ready for c1 advanced 4th edition ready for ielts 2nd edition skillful second edition speak

your mind straight to advanced straight to

macmillan practice online macmillan education - Apr 30 2023

web everything you need for easy online learning macmillan practice online courses offer both students and teachers a complete and varied online learning environment

macmillan international curriculum advancing learning - Jan 16 2022

web mar 19 2020 during this emergency through march 31 2023 we have no objection to 1 teachers and librarians live streaming or posting videos reading our children s books to

ready for b2 first 4th edition b2 digital teacher s book with - May 20 2022

web us 41 50 sorry this content is not available for purchase in your country description from the macmillan books for teachers series of teacher development methodology books

mpo - Aug 03 2023

web my bookmarks sign out log in student registration teacher registration support user guides we use cookies to personalise content and ads to provide social media

macmillan resources and content use guidelines for teachers - Dec 15 2021

web macmillan practice online guide for teachers right here we have countless book macmillan practice online guide for teachers and collections to check out we

teachers hub macmillan education - Jun 20 2022

web our comprehensive digital study tool offers complete coverage of the b2 first exam and is perfect for online classes with access to our digital teacher s book and teacher s app

macmillan straightforward teaching made simple - Jan 28 2023

web practice the practice area allows teachers to bookmark particular activities which they can assign to individuals or groups of students messages teachers can send and

macmillan education ebookstore - Feb 14 2022

web unlock the power of learning science in english about us webinars

straightforward practice online guide for teachers - Oct 05 2023

web there are over 100 ready to use macmillan practice online courses courses are resources grouped together so that your students can follow a cohesive syllabus

for teachers macmillan sk - Sep 04 2023

web macmillan practice online guide for teachers macmillan practice online is an online practice environment for learners of english students login to complete activities from

[for teachers macmillan education](#) - Oct 25 2022

web feb 11 2022 in teacher resources 20 06 23 let s make every day world environment day in blog 16 06 23 plastic problems and how to solve them in blog 25 04 23 new

[macmillan education everywhere](#) - Jul 22 2022

web included in unlimited macmillan education is committed to supporting the community of educators learners and parents educators are enabled to perform at their best with

teaching practice a handbook for teachers in training - Apr 18 2022

web macmillan english teachers guide level 5 free download as pdf file pdf text file txt or view presentation slides online english for children

macmillan practice online guide for teachers hilary perraton - Nov 13 2021

macmillan straightforward practice online manual for teachers - Feb 26 2023

web macmillan straightforward practice online manual for teachers this is a manual for straightforward practice online which accompanies the macmillan straightforward

[for teachers macmillan education](#) - Nov 25 2022

web discover the updated and engaging new edition inspiration level 3 digital teacher s book a comprehensive guide for educators navigating the four l view more

[lms cdn prod eu1 macmillan education](#) - Mar 30 2023

web lms cdn prod eu1 macmillan education

macmillan english teachers guide level 5 pdf scribd - Mar 18 2022

web contact us customer services macmillan education the macmillan campus 4 crinan street london n1 9xw uk tel 44 0 207 014 6767 web help macmillan com contact us

macmillan education teacher - Jun 01 2023

web cookie notice we use cookies to personalise content and ads to provide social media features and to analyse our traffic we also share information about your use of

instructor resources macmillan learning us - Aug 23 2022

web register today easy access to innovative content tools and resources motivate and engage learners of all ages abilities make teaching rewarding and more effective

[macmillan practice guide for teachers pdf password scribd](#) - Jul 02 2023

web macmillan practice online guide for teachers accessing macmillan practice online once you have created an account

click on login from the homepage and then enter

[applying the transtheoretical model to the exercise behaviors of](#) - Jul 31 2022

web according to the transtheoretical model ttm individuals progress through cognitive processes termed stages that indicate their readiness to undertake a particular healthy

applying the transtheoretical model to exercise a - Oct 14 2023

web three questions guided a literature review of the transtheoretical model ttm as applied to exercise to address the evidence for stage matched interventions the description of priority populations and the identification of valid ttm measurement tools one

pdf applying the transtheoretical model to regular moderate - Jun 29 2022

web nov 1 2001 background the overweight population may benefit from transtheoretical model based interventions focusing on regular moderate exercise

applying the transtheoretical model to exercise a systematic - May 09 2023

web oct 1 2006 three questions guided a literature review of the transtheoretical model ttm as applied to exercise to address the evidence for stage matched interventions

applying the transtheoretical model to exercise a systematic - Mar 07 2023

web applying the transtheoretical model to exercise a systematic an investigation of the transtheoretical model s stages and processes of change and their relation to

applying the transtheoretical model to the study of - Jan 05 2023

web abstract this study examines the application of key constructs of the transtheoretical model and an integrated perceived barrier construct to exercise behaviour research

pdf applying the transtheoretical model to exercise a - Apr 08 2023

web applying the transtheoretical model to exercise a systematic the transtheoretical model and the initiation and maintenance of exercise a prospective analysis apr 07

[applying the transtheoretical model to exercise a systematic](#) - Sep 13 2023

web define the term exercise choose a valid and reliable staging tool and employ all ttm constructs and not just stage membership keywords transtheoretical model stage of

applying the transtheoretical model to exercise a systematic - Feb 06 2023

web offers advice concerning modeling agencies portfolios diet and exercise types of modeling and ways to get started and shares the comments of more than a dozen

applying the transtheoretical model to exercise a systematic - Aug 12 2023

web three questions guided a literature review of the transtheoretical model ttm as applied to exercise to address the evidence for stage matched interventions the description of

applying the transtheoretical model to exercise a systematic and - Apr 27 2022

web scientific article published on 13 july 2006

applying the transtheoretical model to regular moderate exercise - Nov 03 2022

web nov 1 2001 applying the transtheoretical model to exercise a systematic and comprehensive review of the literature spencer l adams tb malone s roy l yost e

pdf applying the transtheoretical model of behavioral change - Dec 04 2022

web mar 1 2021 pdf the transtheoretical model is an integrative model of behavior change developed in response to increasing theoretical diversity within find read and

download solutions applying the transtheoretical model to - Feb 23 2022

web applying the transtheoretical model to exercise a systematic artificial intelligence exercises ii oct 19 2021 toward a model of exercise motivation jun 26 2022 how to

applying the transtheoretical model to exercise a systematic - Mar 27 2022

web applying the transtheoretical model to exercise a systematic exercise psychology research by taiwanese scholars over three decades oct 22 2021 complex systems

the effectiveness of the transtheoretical model to improve - Jun 10 2023

web jan 1 2021 the purpose of this systematic review was to determine the effectiveness of interventions based on the transtheoretical model to improve pa in healthy adults

transtheoretical model for physical activity in older adults mdpi - Sep 01 2022

web dec 11 2020 spencer l adams t b malone s roy l yost e applying the transtheoretical model to exercise a systematic and comprehensive review of the

applying the transtheoretical model of change to exercise in - May 29 2022

web oct 1 2002 it is interesting that while exercise self efficacy and cons scale scores differed across the three groups in this study perceptions of the third aspect of the

applying the transtheoretical model to exercise a systematic - Jul 11 2023

web nov 1 2006 three questions guided a literature review of the transtheoretical model ttm as applied to exercise to address the evidence for stage matched interventions

applying the transtheoretical model to the study of exercise on - Oct 02 2022

web apr 1 1997 a potentially influential effect of barriers to exercise on different stages of behaviour was evident and

partial support for the use of the transtheoretical model in a

[free applying the transtheoretical model to exercise a systematic](#) - Jan 25 2022

web applying the transtheoretical model to exercise a systematic the transtheoretical model and the initiation and maintenance of exercise a prospective analysis mar 20

diving in turkey padi - May 04 2022

web jun 14 2006 padi encyclopedia of recreational diving soft cover 4 9 out of 5 stars

[padi encyclopedia of recreational diving 89 odg australia](#) - Sep 08 2022

web jan 1 2015 in this paper we a brief review on padi encyclopedia of recreational diving which will be useful for the researchers who are professional and interested in this area

encyclopedia of recreational diving amazon com - Jul 18 2023

web title the encyclopedia of recreational diving contributor professional association of diving instructors edition 3 illustrated publisher padi 2008 isbn

download padi the encyclopedia of recreational diving pdf - Aug 19 2023

web oct 21 2005 padi s encyclopedia of recreational diving has just been revised and updated for release this month a core reference material for many dive industry

[encyclopedia of recreational diving](#) - Oct 09 2022

web explore diving in turkey kaş is the diving capital of turkey it is one of the top 100 dive sites of the world because of its abundance of marine life and ancient relics there are

encyclopedia of recreational diving chinese version - Feb 01 2022

padi diving knowledge workbook 70214 scuba - Jun 05 2022

web encyclopedia of recreational diving including the diving knowledge workbook dvd be the first to know what s happening in the world of padi padi asia pacific level 4

a brief review on padi encyclopedia of recreational diving - Mar 02 2022

padi encyclopedia of recreational diving 70034 - Sep 20 2023

web the encyclopedia of recreational diving pdf 1tkdgfts8rd8 padi 2006 378 с Язык Русский Энциклопедия любительского дайвинга это настольная книга для

new from padi the encyclopedia of recreational diving - Jun 17 2023

web jul 25 2017 amazon com padi encyclopedia of recreational diving training material sports outdoors sports outdoors

sports water sports diving

padi encyclopedia of recreational diving training material - Apr 15 2023

web 31 76 out of stock sku 70034 category general padi materials padi encyclopedia of recreational diving book version for use on the padi dive master course or other

padi encyclopedia of recreational diving soft cover - Jan 12 2023

web may 1 2020 the padi encyclopedia of recreational diving home the padi encyclopedia of recreational diving download 36 file size 209 99 mb file count 1

the padi encyclopedia of recreational diving - Aug 07 2022

web in this paper we a brief review on padi encyclopedia of recreational diving which will be useful for the researchers who are professional and interested in this area and also

the encyclopedia of recreational diving archive org - Nov 10 2022

web the professional association of diving instructor padi diving knowledge workbook is a self study guide to help evaluate and enhance your understanding of the most important

padi encyclopedia of recreational diving soft cover - Mar 14 2023

web encyclopedia of recreational diving dvd 70833 this item is out of stock we can continue adding it to the cart cancel adding it to your cart or we can email you when it

encyclopedia of recreational diving digital dvd amazon com - Nov 29 2021

encyclopedia of recreational diving dvd - Dec 31 2021

the encyclopedia of recreational diving google books - May 16 2023

web jan 20 2009 padi encyclopedia of recreational diving soft cover brand padi 34 ratings 4 answered questions 6993 this fits your make sure this fits by entering

the encyclopedia of recreational diving open library - Feb 13 2023

web this is padi s encyclopedia of recreational diving for all divemaster course participants and those divers who simply seek more knowledge about the great unknown they call

padi encyclopedia of recreational diving book dive shop online - Dec 11 2022

web padi the professional association of diving instructors is the most recognized dive training organization worldwide with 29 million certifications and counting padi dive

professional association of diving instructors padi - Jul 06 2022

web padi asia pacific level 4 120 old pittwater road brookvale nsw 2100 australia powered by birddog ecommerce

encyclopedia of recreational diving chinese

a brief review on padi encyclopedia of recreational diving - Apr 03 2022