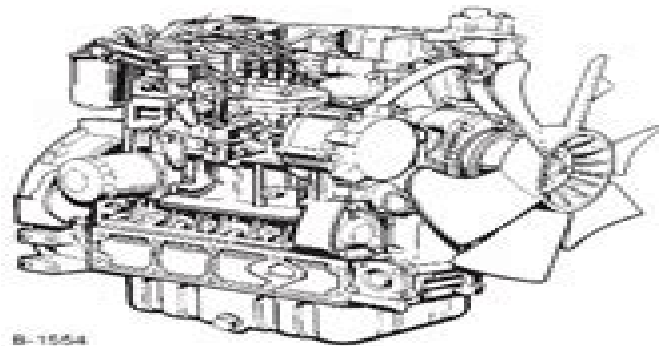


# KUBOTA DIESEL ENGINE



B-1554

*READ AND SAVE THIS MANUAL*

**Kubota**

# Kubota V3600 Engine Manual

**K Morrison**



## **Kubota V3600 Engine Manual:**

Thank you for reading **Kubota V3600 Engine Manual**. Maybe you have knowledge that, people have look numerous times for their favorite readings like this Kubota V3600 Engine Manual, but end up in malicious downloads. Rather than reading a good book with a cup of coffee in the afternoon, instead they cope with some infectious bugs inside their computer.

Kubota V3600 Engine Manual is available in our digital library an online access to it is set as public so you can get it instantly.

Our book servers spans in multiple countries, allowing you to get the most less latency time to download any of our books like this one.

Merely said, the Kubota V3600 Engine Manual is universally compatible with any devices to read

<http://www.armchairempire.com/results/detail/fetch.php/golfs%20all%20time%20firsts%20mosts%20leasts%20and%20a%20f%20ew%20nevers.pdf>

## **Table of Contents Kubota V3600 Engine Manual**

1. Understanding the eBook Kubota V3600 Engine Manual
  - The Rise of Digital Reading Kubota V3600 Engine Manual
  - Advantages of eBooks Over Traditional Books
2. Identifying Kubota V3600 Engine Manual
  - Exploring Different Genres
  - Considering Fiction vs. Non-Fiction
  - Determining Your Reading Goals
3. Choosing the Right eBook Platform
  - Popular eBook Platforms
  - Features to Look for in an Kubota V3600 Engine Manual
  - User-Friendly Interface
4. Exploring eBook Recommendations from Kubota V3600 Engine Manual

- Personalized Recommendations
- Kubota V3600 Engine Manual User Reviews and Ratings
- Kubota V3600 Engine Manual and Bestseller Lists
- 5. Accessing Kubota V3600 Engine Manual Free and Paid eBooks
  - Kubota V3600 Engine Manual Public Domain eBooks
  - Kubota V3600 Engine Manual eBook Subscription Services
  - Kubota V3600 Engine Manual Budget-Friendly Options
- 6. Navigating Kubota V3600 Engine Manual eBook Formats
  - ePub, PDF, MOBI, and More
  - Kubota V3600 Engine Manual Compatibility with Devices
  - Kubota V3600 Engine Manual Enhanced eBook Features
- 7. Enhancing Your Reading Experience
  - Adjustable Fonts and Text Sizes of Kubota V3600 Engine Manual
  - Highlighting and Note-Taking Kubota V3600 Engine Manual
  - Interactive Elements Kubota V3600 Engine Manual
- 8. Staying Engaged with Kubota V3600 Engine Manual
  - Joining Online Reading Communities
  - Participating in Virtual Book Clubs
  - Following Authors and Publishers Kubota V3600 Engine Manual
- 9. Balancing eBooks and Physical Books Kubota V3600 Engine Manual
  - Benefits of a Digital Library
  - Creating a Diverse Reading Collection Kubota V3600 Engine Manual
- 10. Overcoming Reading Challenges
  - Dealing with Digital Eye Strain
  - Minimizing Distractions
  - Managing Screen Time
- 11. Cultivating a Reading Routine Kubota V3600 Engine Manual
  - Setting Reading Goals Kubota V3600 Engine Manual
  - Carving Out Dedicated Reading Time
- 12. Sourcing Reliable Information of Kubota V3600 Engine Manual

- Fact-Checking eBook Content of Kubota V3600 Engine Manual
  - Distinguishing Credible Sources
13. Promoting Lifelong Learning
- Utilizing eBooks for Skill Development
  - Exploring Educational eBooks
14. Embracing eBook Trends
- Integration of Multimedia Elements
  - Interactive and Gamified eBooks

### **Kubota V3600 Engine Manual Introduction**

In this digital age, the convenience of accessing information at our fingertips has become a necessity. Whether its research papers, eBooks, or user manuals, PDF files have become the preferred format for sharing and reading documents. However, the cost associated with purchasing PDF files can sometimes be a barrier for many individuals and organizations. Thankfully, there are numerous websites and platforms that allow users to download free PDF files legally. In this article, we will explore some of the best platforms to download free PDFs. One of the most popular platforms to download free PDF files is Project Gutenberg. This online library offers over 60,000 free eBooks that are in the public domain. From classic literature to historical documents, Project Gutenberg provides a wide range of PDF files that can be downloaded and enjoyed on various devices. The website is user-friendly and allows users to search for specific titles or browse through different categories. Another reliable platform for downloading Kubota V3600 Engine Manual free PDF files is Open Library. With its vast collection of over 1 million eBooks, Open Library has something for every reader. The website offers a seamless experience by providing options to borrow or download PDF files. Users simply need to create a free account to access this treasure trove of knowledge. Open Library also allows users to contribute by uploading and sharing their own PDF files, making it a collaborative platform for book enthusiasts. For those interested in academic resources, there are websites dedicated to providing free PDFs of research papers and scientific articles. One such website is Academia.edu, which allows researchers and scholars to share their work with a global audience. Users can download PDF files of research papers, theses, and dissertations covering a wide range of subjects. Academia.edu also provides a platform for discussions and networking within the academic community. When it comes to downloading Kubota V3600 Engine Manual free PDF files of magazines, brochures, and catalogs, Issuu is a popular choice. This digital publishing platform hosts a vast collection of publications from around the world. Users can search for specific titles or explore various categories and genres. Issuu offers a seamless reading experience with its user-friendly interface and allows users to download PDF files for offline reading. Apart from

dedicated platforms, search engines also play a crucial role in finding free PDF files. Google, for instance, has an advanced search feature that allows users to filter results by file type. By specifying the file type as "PDF," users can find websites that offer free PDF downloads on a specific topic. While downloading Kubota V3600 Engine Manual free PDF files is convenient, its important to note that copyright laws must be respected. Always ensure that the PDF files you download are legally available for free. Many authors and publishers voluntarily provide free PDF versions of their work, but its essential to be cautious and verify the authenticity of the source before downloading Kubota V3600 Engine Manual. In conclusion, the internet offers numerous platforms and websites that allow users to download free PDF files legally. Whether its classic literature, research papers, or magazines, there is something for everyone. The platforms mentioned in this article, such as Project Gutenberg, Open Library, Academia.edu, and Issuu, provide access to a vast collection of PDF files. However, users should always be cautious and verify the legality of the source before downloading Kubota V3600 Engine Manual any PDF files. With these platforms, the world of PDF downloads is just a click away.

### **FAQs About Kubota V3600 Engine Manual Books**

1. Where can I buy Kubota V3600 Engine Manual books? Bookstores: Physical bookstores like Barnes & Noble, Waterstones, and independent local stores. Online Retailers: Amazon, Book Depository, and various online bookstores offer a wide range of books in physical and digital formats.
2. What are the different book formats available? Hardcover: Sturdy and durable, usually more expensive. Paperback: Cheaper, lighter, and more portable than hardcovers. E-books: Digital books available for e-readers like Kindle or software like Apple Books, Kindle, and Google Play Books.
3. How do I choose a Kubota V3600 Engine Manual book to read? Genres: Consider the genre you enjoy (fiction, non-fiction, mystery, sci-fi, etc.). Recommendations: Ask friends, join book clubs, or explore online reviews and recommendations. Author: If you like a particular author, you might enjoy more of their work.
4. How do I take care of Kubota V3600 Engine Manual books? Storage: Keep them away from direct sunlight and in a dry environment. Handling: Avoid folding pages, use bookmarks, and handle them with clean hands. Cleaning: Gently dust the covers and pages occasionally.
5. Can I borrow books without buying them? Public Libraries: Local libraries offer a wide range of books for borrowing. Book Swaps: Community book exchanges or online platforms where people exchange books.
6. How can I track my reading progress or manage my book collection? Book Tracking Apps: Goodreads, LibraryThing,

and Book Catalogue are popular apps for tracking your reading progress and managing book collections. Spreadsheets: You can create your own spreadsheet to track books read, ratings, and other details.

7. What are Kubota V3600 Engine Manual audiobooks, and where can I find them? Audiobooks: Audio recordings of books, perfect for listening while commuting or multitasking. Platforms: Audible, LibriVox, and Google Play Books offer a wide selection of audiobooks.
8. How do I support authors or the book industry? Buy Books: Purchase books from authors or independent bookstores. Reviews: Leave reviews on platforms like Goodreads or Amazon. Promotion: Share your favorite books on social media or recommend them to friends.
9. Are there book clubs or reading communities I can join? Local Clubs: Check for local book clubs in libraries or community centers. Online Communities: Platforms like Goodreads have virtual book clubs and discussion groups.
10. Can I read Kubota V3600 Engine Manual books for free? Public Domain Books: Many classic books are available for free as they're in the public domain. Free E-books: Some websites offer free e-books legally, like Project Gutenberg or Open Library.

## Find Kubota V3600 Engine Manual :

golfs all time firsts mosts leasts and a few nevers

**good fiction books to read**

*golden shower alles seinen reiz ebook*

~~goldfranks toxicologic emergencies 10th edition~~

~~government and nonprofit accounting study guide~~

good business making money by making the world better

~~governing the world trade organization past present and beyond doha~~

**goodnight prayers oaktree wood series**

**golf gti mk2 workshop manual**

google maps hacks schuyler erle

gospels greatest paperback

**goofy foot rescue nashville tn**

google drive manual uninstall

golf plus user guide



## goldbergers war the life and work of a public health crusader

### Kubota V3600 Engine Manual :

**you wouldn t want to live without antibiotics apple books** - Jul 01 2022

web you wouldn t want to live without antibiotics by anne rooney david antram 5 1 1 review write a review many dangerous diseases are carried by bacteria tiny

**books by david antram author of you wouldn t want to live** - Apr 10 2023

web this book tells the story of how antibiotics were discovered and how they have transformed the treatment of disease you wouldn t want to live without antibiotics is part of a brand new science and technology strand within the internationally acclaimed you wouldn t want to be series

**you wouldn t want to live without antibiotics rooney anne** - Sep 22 2021

web uses humor in both text and illustrations to describe how antibiotics were developed and what methods were used to fight infections and disease before antibiotics were available

*you wouldn t want to live without antibiotics* - Nov 24 2021

web abebooks com you wouldn t want to live without antibiotics 9780531212189 by rooney anne and a great selection of similar new used and collectible books available now at great prices

*you wouldn t want to live without antibiotics open library* - Oct 04 2022

web buy you wouldn t want to live without antibiotics by anne rooney david antram illustrator online at alibris we have new and used copies available in 3 editions starting at 2 49 shop now

you wouldn t want to live without antibiotics anne rooney - Feb 08 2023

web you wouldn t want to live without antibiotics ebook rooney anne antram david amazon ca kindle store

**you wouldn t want to live without antibiotics alibris** - Sep 03 2022

web you wouldn t want to live without antibiotics anne rooney david antram david antram amazon co uk books

**you wouldn t want to live without antibiotics google books** - Apr 29 2022

web you wouldn t want to live without antibiotics anne rooney amazon com tr kitap

**you wouldn t want to live without antibiotics kindle edition** - Mar 09 2023

web you wouldn t want to live without antibiotics free shipping no customs duty by author anne rooney

*you wouldn t want to live without antibiotics kindle* - Jul 13 2023

web you wouldn t want to live without antibiotics david antram anne rooney 3 85 46 ratings 9 reviews want to read kindle 5 99 rate this book

*you wouldn't want to live without antibiotics you* - Aug 14 2023

web sep 1 2014 as you discover how bacteria work in your body learn handy hints on how to survive throughout the ages and discover how medicine is used in the present day

*you wouldn't want to live without antibiotics* - Dec 06 2022

web you wouldn't want to live without antibiotics you wouldn't want to live without rooney anne antram david 9780531213094 books amazon ca

**you wouldn't want to live without antibiotics goodreads** - Jun 12 2023

web this book tells the story of how antibiotics were discovered and how they have transformed the treatment of disease you wouldn't want to live without antibiotics

**you wouldn't want to live without antibiotics you wouldn't want** - Nov 05 2022

web you wouldn't want to live without antibiotics by anne rooney david antram 2014 scholastic library publishing edition in english

*you wouldn't want to live without antibiotics amazon com tr* - Mar 29 2022

web if antibiotics had not been discovered would you be alive today this series takes readers ages 8 12 on a historical journey examining how people coped in the past and how

*you wouldn't want to live without antibiotics you wouldn't* - Jun 19 2021

**you wouldn't want to live without antibiotics by anne rooney** - Feb 25 2022

web get this from a library you wouldn't want to live without antibiotics anne rooney david antram many dangerous diseases are carried by bacteria tiny organisms that

david antram author of you wouldn't want to live without - Dec 26 2021

web you wouldn't want to live without antibiotics by anne rooney david antram 2014 book house edition in english

you wouldn't want to live without antibiotics toppsta - May 31 2022

web as you discover how bacteria work in your body learn handy hints on how to survive throughout the ages and discover how medicine is used in the present day you ll soon

**you wouldn't want to live without antibiotics kindle edition** - Jan 07 2023

web you wouldn't want to live without antibiotics anne rooney david antram david salariya amazon co uk books

you wouldn't want to live without antibiotics paperback - Aug 02 2022

web many dangerous diseases are carried by bacteria tiny organisms that can get into the body and multiply inside it antibiotics are medicines that kill bacteria they can be used to cure many diseases that were deadly in the past this book tells

the story of how antibiotics were discovered and how

*you wouldn't want to live without antibiotics* open library - Oct 24 2021

web sep 1 2014 an edition of you wouldn't want to live without antibiotics 2014 you wouldn't want to live without antibiotics by anne rooney and david antram 0

**you wouldn't want to live without antibiotics** open library - Aug 22 2021

web as you discover how bacteria work in your body learn handy hints on how to survive throughout the ages and discover how medicine is used in the present day you'll soon

*you wouldn't want to live without antibiotics* worldcat org - Jan 27 2022

web average rating 3.95 8720 ratings 1204 reviews 267 distinct works similar authors you wouldn't want to live without antibiotics by david antram illustrations anne

*you wouldn't want to live without antibiotics* google books - May 11 2023

web david antram has 267 books on goodreads with 19451 ratings david antram's most popular book is you wouldn't want to live without antibiotics

**you wouldn't want to live without antibiotics** wake - Jul 21 2021

**origami ikebana create lifelike paper flower arra pdf** - May 31 2022

web make colorful fancy potted flowers and ikebana out of store bought origami paper by adding stems and leaves as shown paper scissors and imagination are all you need

*origami ikebana create lifelike floral sculptures from paper* - Jul 13 2023

web origami ikebana create lifelike floral sculptures from paper by coleman benjamin john author publication date 2014

topics paper flowers origami flower

*origami ikebana on apple books* - Dec 06 2022

web buy the book toy book origami ikebana create lifelike paper flower arrangements includes origami book with 38 projects by benjamin coleman at indigo.ca/canada/s

**origami ikebana create lifelike paper flower arra pdf** - Jan 27 2022

web japanese origami expert hisao fukui shows you how to create incredibly realistic paper birds and flying insects a winged dinosaur and even an undulating chinese dragon

**origami ikebana create lifelike paper flower arra pdf r c** - Oct 24 2021

**origami ikebana create lifelike paper flower arrangements** - Mar 09 2023

web make realistic and decorative paper flower arrangements with this stunning origami book the japanese art of flower arranging is an age old practice that honors nature and

*origami ikebana create lifelike paper flower arrangements* - Nov 24 2021

web jun 23 2023 folded petals with this book you can make colorful fancy potted flowers and ikebana out of store bought origami paper by adding stems and leaves as shown

**origami ikebana create lifelike paper flower arra book** - Sep 03 2022

web in this book coleman teaches craft enthusiasts the basic principles and techniques of ikebana origami and makigami paper rolling to create beautiful and lifelike paper

**origami ikebana create lifelike paper flower arra kazuhiko** - Apr 29 2022

web webmar 29 2023 in mind this origami ikebana create lifelike paper flower arra but end up in harmful downloads rather than enjoying a good ebook gone a mug of coffee in the

**origami ikebana create lifelike paper flower arrangements** - Jan 07 2023

web in this book coleman combines the principles and techniques of ikebana origami and makigami paper rolling to create beautiful and lifelike paper flower arrangements

**origami ikebana create lifelike paper flower arrangements** - Jun 12 2023

web sep 23 2014 the japanese art of flower arranging is an age old practice that honors nature and creates beauty through harmony and balance this brand new book origami

origami ikebana create lifelike floral sculptures from - Aug 14 2023

web buy origami ikebana create lifelike floral sculptures from paper create lifelike paper flower arrangements includes origami book with 38 projects and instructional dvd

**origami ikebana create lifelike paper flower arra download** - Dec 26 2021

web origami ikebana create lifelike paper flower arrangements includes origami book with 38 projects and downloadable video instructions ebook coleman benjamin john

**origami ikebana create lifelike paper flower** - Apr 10 2023

web origami ikebana create lifelike paper flower arrangements includes origami book with 38 projects and downloadable video instructions make realistic and decorative

**oribana uniting origami and ikebana** - Jul 01 2022

web aug 27 2023 ikebana out of store bought origami paper by adding stems and leaves as shown paper scissors and imagination are all you need to decorate your home with

origami ikebana newsouth books - Aug 02 2022

web by combining our fascination with these remarkable arts we began to create paper flower arrangements in paper vases in the 1990s at that time we wanted to think up a special

*origami ikebana create lifelike paper flower arra pdf* - Mar 29 2022

web bobby pearce 2016 08 15 the art of paper flowers teaches readers how to make thirty five realistic looking flowers out of paper step by step instructions and photos for

**origami ikebana create lifelike paper flower arrangements** - Nov 05 2022

web in this book coleman combines the principles and techniques of ikebana origami and makigami paper rolling to create beautiful and lifelike paper flower arrangements

**origami ikebana create lifelike paper flower arrangeme** - Feb 08 2023

web sep 23 2014 booktopia has origami ikebana create lifelike paper flower arrangements includes origami book with 38 projects and instructional dvd by

origami ikebana create lifelike paper flower arrangements - May 11 2023

web with origami ikebana you can create beautiful ikebana inspired paper flower arrangements at home at any time of the year in this book coleman teaches craft

**origami ikebana by benjamin john coleman overdrive** - Oct 04 2022

web origami ikebana create lifelike paper flower arra make 43 beautiful asian flowers from irises to cherry blossoms to peonies with printable tracing templates sep 08

**origami ikebana create lifelike paper flower arra pdf full pdf** - Feb 25 2022

web aug 20 2023 origami ikebana create lifelike paper flower arra 1 15 downloaded from uniport edu ng on august 20 2023 by guest origami ikebana create lifelike paper

**ngpf financial algebra course** - Nov 10 2022

this free math curriculum is helping thousands of math teachers answer the age old question when am i going to use math in real life with confidence the ngpf financial algebra course engages students with real world financial applications while maintaining deep mathematical rigor

**financial algebra advanced algebra with financial applications** - May 16 2023

feb 21 2017 by combining algebraic and graphical approaches with practical business and personal finance applications financial algebra second edition motivates high school students to explore

**financial algebra advanced algebra with financial applications** - Mar 02 2022

apr 19 2020 make data driven decisions to drive reader engagement subscriptions and campaigns

*financial algebra advanced algebra with financial applications* - Jan 12 2023

isbn 13 9780357236437 31 99 about this product by combining algebraic and graphical approaches with practical business and personal finance applications financial algebra second edition motivates high school students to explore algebraic thinking patterns and functions in a financial context finan

*practice problems for financial algebra advanced algebra with* - Aug 19 2023

our resource for practice problems for financial algebra advanced algebra with financial applications includes answers to chapter exercises as well as detailed information to walk you through the process step by step

financial algebra advanced algebra with financial applications - Jun 17 2023

find step by step solutions and answers to exercise 4a from financial algebra advanced algebra with financial applications 9781337271790 as well as thousands of textbooks so you can move forward with confidence

*ngpf financial algebra course advanced algebra with financial* - Jul 06 2022

free teacher led financial algebra course for grades 9 12 inside with desmos events blend math and money to search my students apply calculator reflection to the real world

**financial algebra advanced algebra with financial applications** - Feb 01 2022

feb 21 2017 financial algebra second edition will help your students achieve success by offering an applications based learning approach incorporating algebra i algebra ii and geometry topics authors gerver and sgroi have spent more than 25 years working with students of all ability levels and they have found the most success when connecting math to

**ngpf financial algebra course financial algebra advanced algebra** - Apr 03 2022

the ngpf monetary algebraics courses engages students with real world financial applications while maintaining deep mathematical rigor each of the course s 10 units blends one core personal money topic with one relevant math

*financial algebra advanced algebra with financial applications* - Dec 11 2022

correlation of financial algebra advanced algebra with financial applications 2 e tax code update by robert gerver richard j sgroi 2021 isbn 9780357423509 to florida b e s t standards for mathematics mathematics for data and financial literacy 1200387

**financial algebra advanced algebra with financial applications** - Jul 18 2023

find step by step solutions and answers to exercise 2a from financial algebra advanced algebra with financial applications 9781337271790 as well as thousands of textbooks so you can move forward with confidence

advanced algebra with financial applications grades 10 12 - Oct 09 2022

raising the ability and confidence level of your high school math students requires a re thinking out the traditonal math one size fits all sequence of courses advanced algebra with financial applications offering grades 10 12 students an alternative ways and opportunity toward view the world of finance with ampere mathematical lens

*chapter 3 banking services approximately 15 days - Aug 07 2022*

advanced algebra with financial applications is a mathematical modeling course that is algebra based applications oriented and technology dependent the course addresses college preparatory mathematics topics from advanced algebra statistics probability under six financial umbrellas banking investing credit employment and income taxes

financial algebra 1st edition solutions and answers quizlet - Apr 15 2023

oct 22 2023 with expert solutions for thousands of practice problems you can take the guesswork out of studying and move forward with confidence find step by step solutions and answers to financial algebra 9780538449670 as well as thousands of textbooks so you can move forward with confidence

*financial algebra advanced algebra with financial applications - Sep 20 2023*

find step by step solutions and answers to financial algebra advanced algebra with financial applications 9781337271790 as well as thousands of textbooks so you can move forward with confidence

*advanced algebra with financial applications description - Mar 14 2023*

advanced algebra with financial applications is a college preparatory course that will use sophisticated mathematics to give you the tools to become a financially responsible young adult the course employs algebra precalculus probability and statistics calculus and geometry to solve financial problems that occur in everyday life

*financial algebra advanced algebra with financial applications - May 04 2022*

mar 27 2013 buy financial algebra advanced algebra with financial applications on amazon com free shipping on qualified orders financial algebra advanced algebra with financial applications gerver robert sgroi richard j 9781285444857 amazon com books

**solutions for financial algebra 1st numerade - Jun 05 2022**

step by step video answers explanations by expert educators for all financial algebra 1st by robert gerver richard sgroi only on numerade com

**financial algebra advanced algebra with financial applications - Feb 13 2023**

by combining algebraic and graphical approaches with practical business and personal finance applications financial algebra second edition motivates high school students to explore algebraic thinking patterns and functions in a financial context

*chapter 7 3 solutions financial algebra student edition 1st - Sep 08 2022*

financial algebra student edition 1st edition isbn 13 9781111782603 isbn 1111782603 authors robert k gerver richard j sgroi rent buy this is an alternate isbn view the primary isbn for financial algebra student edition 1st edition textbook solutions