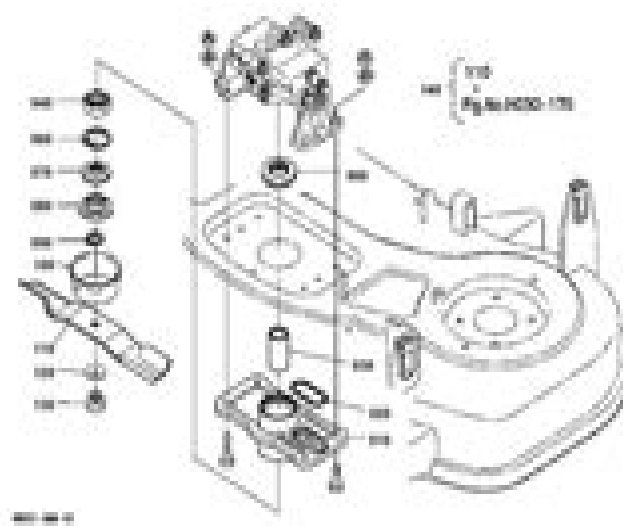


← Standard parts, → and standard parts, ← use for oil, → oil for use

Part No.	Part No.	Description	Qty	Unit	Oil	Standard	Weight (kg)	Weight (lb)
820	42041-3310	SHAFT INPUT	1				0.33	1.00
820	44013-0010	CR CLIP EXTERNAL	1				0.004	0.004
820	42017-2210	KT GEAR BEVEL	1				0.33	1.00
820	44101-0020	BEARING BALL	2				0.102	0.224
820	13021-1010	SHAFT COUNTER	1				0.001	0.001
820	13021-1000	SHAFT COUNTER	1				0.001	0.001
820	13021-2010	SHAFT COUNTER	1				0.001	0.001
820	13021-2000	SHAFT COUNTER	1				0.001	0.001
870	89400-2007	SEAL OIL	1				0.01	0.03
880	13101-1000	PLUG	1				0.010	0.03
880	42017-2300	SHAFT BEVEL GEAR	1				0.4	1.10
880	44013-0010	CR CLIP EXTERNAL	1				0.001	0.001
880	44101-0020	BEARING BALL	1				0.100	0.221
880	44021-1010	SHAFT OFF GEAR SHAFT	1				0.001	0.001
880	42111-1000	SHAFT OFF GEAR SHAFT	1				0.001	0.001
880	89400-2007	SEAL OIL	1				0.010	0.03
880	42013-2310	PALLET CENTER	1				0.02	0.04
880	44113-0010	KT BEARING	1				0.01	0.03
880	44013-0010	CR CLIP EXTERNAL	1				0.004	0.004



Kubota Mowers Service Manual

Sebastian Brünink



Kubota Mowers Service Manual:

When people should go to the books stores, search instigation by shop, shelf by shelf, it is in point of fact problematic. This is why we present the ebook compilations in this website. It will agreed ease you to look guide **Kubota Mowers Service Manual** as you such as.

By searching the title, publisher, or authors of guide you really want, you can discover them rapidly. In the house, workplace, or perhaps in your method can be every best place within net connections. If you strive for to download and install the Kubota Mowers Service Manual, it is completely easy then, since currently we extend the associate to buy and make bargains to download and install Kubota Mowers Service Manual for that reason simple!

http://www.armchairempire.com/data/browse/default.aspx/gre_guide_2015.pdf

Table of Contents Kubota Mowers Service Manual

1. Understanding the eBook Kubota Mowers Service Manual
 - The Rise of Digital Reading Kubota Mowers Service Manual
 - Advantages of eBooks Over Traditional Books
2. Identifying Kubota Mowers Service Manual
 - Exploring Different Genres
 - Considering Fiction vs. Non-Fiction
 - Determining Your Reading Goals
3. Choosing the Right eBook Platform
 - Popular eBook Platforms
 - Features to Look for in an Kubota Mowers Service Manual
 - User-Friendly Interface
4. Exploring eBook Recommendations from Kubota Mowers Service Manual
 - Personalized Recommendations
 - Kubota Mowers Service Manual User Reviews and Ratings
 - Kubota Mowers Service Manual and Bestseller Lists

5. Accessing Kubota Mowers Service Manual Free and Paid eBooks
 - Kubota Mowers Service Manual Public Domain eBooks
 - Kubota Mowers Service Manual eBook Subscription Services
 - Kubota Mowers Service Manual Budget-Friendly Options
6. Navigating Kubota Mowers Service Manual eBook Formats
 - ePub, PDF, MOBI, and More
 - Kubota Mowers Service Manual Compatibility with Devices
 - Kubota Mowers Service Manual Enhanced eBook Features
7. Enhancing Your Reading Experience
 - Adjustable Fonts and Text Sizes of Kubota Mowers Service Manual
 - Highlighting and Note-Taking Kubota Mowers Service Manual
 - Interactive Elements Kubota Mowers Service Manual
8. Staying Engaged with Kubota Mowers Service Manual
 - Joining Online Reading Communities
 - Participating in Virtual Book Clubs
 - Following Authors and Publishers Kubota Mowers Service Manual
9. Balancing eBooks and Physical Books Kubota Mowers Service Manual
 - Benefits of a Digital Library
 - Creating a Diverse Reading Collection Kubota Mowers Service Manual
10. Overcoming Reading Challenges
 - Dealing with Digital Eye Strain
 - Minimizing Distractions
 - Managing Screen Time
11. Cultivating a Reading Routine Kubota Mowers Service Manual
 - Setting Reading Goals Kubota Mowers Service Manual
 - Carving Out Dedicated Reading Time
12. Sourcing Reliable Information of Kubota Mowers Service Manual
 - Fact-Checking eBook Content of Kubota Mowers Service Manual
 - Distinguishing Credible Sources
13. Promoting Lifelong Learning

-
- Utilizing eBooks for Skill Development
 - Exploring Educational eBooks
14. Embracing eBook Trends
- Integration of Multimedia Elements
 - Interactive and Gamified eBooks

Kubota Mowers Service Manual Introduction

Free PDF Books and Manuals for Download: Unlocking Knowledge at Your Fingertips In today's fast-paced digital age, obtaining valuable knowledge has become easier than ever. Thanks to the internet, a vast array of books and manuals are now available for free download in PDF format. Whether you are a student, professional, or simply an avid reader, this treasure trove of downloadable resources offers a wealth of information, conveniently accessible anytime, anywhere. The advent of online libraries and platforms dedicated to sharing knowledge has revolutionized the way we consume information. No longer confined to physical libraries or bookstores, readers can now access an extensive collection of digital books and manuals with just a few clicks. These resources, available in PDF, Microsoft Word, and PowerPoint formats, cater to a wide range of interests, including literature, technology, science, history, and much more. One notable platform where you can explore and download free Kubota Mowers Service Manual PDF books and manuals is the internet's largest free library. Hosted online, this catalog compiles a vast assortment of documents, making it a veritable goldmine of knowledge. With its easy-to-use website interface and customizable PDF generator, this platform offers a user-friendly experience, allowing individuals to effortlessly navigate and access the information they seek. The availability of free PDF books and manuals on this platform demonstrates its commitment to democratizing education and empowering individuals with the tools needed to succeed in their chosen fields. It allows anyone, regardless of their background or financial limitations, to expand their horizons and gain insights from experts in various disciplines. One of the most significant advantages of downloading PDF books and manuals lies in their portability. Unlike physical copies, digital books can be stored and carried on a single device, such as a tablet or smartphone, saving valuable space and weight. This convenience makes it possible for readers to have their entire library at their fingertips, whether they are commuting, traveling, or simply enjoying a lazy afternoon at home. Additionally, digital files are easily searchable, enabling readers to locate specific information within seconds. With a few keystrokes, users can search for keywords, topics, or phrases, making research and finding relevant information a breeze. This efficiency saves time and effort, streamlining the learning process and allowing individuals to focus on extracting the information they need. Furthermore, the availability of free PDF books and manuals fosters a culture of continuous learning. By removing financial barriers, more people can access educational resources and pursue lifelong learning, contributing to

personal growth and professional development. This democratization of knowledge promotes intellectual curiosity and empowers individuals to become lifelong learners, promoting progress and innovation in various fields. It is worth noting that while accessing free Kubota Mowers Service Manual PDF books and manuals is convenient and cost-effective, it is vital to respect copyright laws and intellectual property rights. Platforms offering free downloads often operate within legal boundaries, ensuring that the materials they provide are either in the public domain or authorized for distribution. By adhering to copyright laws, users can enjoy the benefits of free access to knowledge while supporting the authors and publishers who make these resources available. In conclusion, the availability of Kubota Mowers Service Manual free PDF books and manuals for download has revolutionized the way we access and consume knowledge. With just a few clicks, individuals can explore a vast collection of resources across different disciplines, all free of charge. This accessibility empowers individuals to become lifelong learners, contributing to personal growth, professional development, and the advancement of society as a whole. So why not unlock a world of knowledge today? Start exploring the vast sea of free PDF books and manuals waiting to be discovered right at your fingertips.

FAQs About Kubota Mowers Service Manual Books

How do I know which eBook platform is the best for me? Finding the best eBook platform depends on your reading preferences and device compatibility. Research different platforms, read user reviews, and explore their features before making a choice. Are free eBooks of good quality? Yes, many reputable platforms offer high-quality free eBooks, including classics and public domain works. However, make sure to verify the source to ensure the eBook credibility. Can I read eBooks without an eReader? Absolutely! Most eBook platforms offer web-based readers or mobile apps that allow you to read eBooks on your computer, tablet, or smartphone. How do I avoid digital eye strain while reading eBooks? To prevent digital eye strain, take regular breaks, adjust the font size and background color, and ensure proper lighting while reading eBooks. What the advantage of interactive eBooks? Interactive eBooks incorporate multimedia elements, quizzes, and activities, enhancing the reader engagement and providing a more immersive learning experience. Kubota Mowers Service Manual is one of the best book in our library for free trial. We provide copy of Kubota Mowers Service Manual in digital format, so the resources that you find are reliable. There are also many Ebooks of related with Kubota Mowers Service Manual. Where to download Kubota Mowers Service Manual online for free? Are you looking for Kubota Mowers Service Manual PDF? This is definitely going to save you time and cash in something you should think about.

Find Kubota Mowers Service Manual :

[gre-guide-2015](#)

[greek and roman fashions dover fashion coloring book](#)

[gravely pro turn 252 manual](#)

[greenhorns 50 dispatches from the new farmers movement](#)

[greek alphabet book student book](#)

[graphic design australia style manual](#)

[greed to green solving climate change and remaking the economy](#)

[grasses and bamboos a practical guide](#)

[greek tragedies vol i agamemnon prometheus bound oedipus the king antigone hippolytus](#)

[great expectations by charles dickens & illustrated an audiobook free](#)

[gravely 8183 manual](#)

[graphology the art of handwriting analysis speed learning book 3](#)

[great american gospel for guitar easy guitar with notes and tab](#)

[grandma says wisdom stories generation](#)

[grasslands biomes of the earth](#)

Kubota Mowers Service Manual :

[l adieu aux armes poche ernest hemingway maurice edgar](#) - Dec 26 2022

web may 11 2017 l adieu aux armes Frédéric Henry jeune américain volontaire dans les ambulances sur le front d'Italie pendant la première guerre mondiale est blessé et s'éprend de son infirmière Catherine Barkley avec Catherine enceinte il tente de fuir la guerre et de passer en Suisse où le destin les attend un des meilleurs romans de guerre

[l adieu aux armes pdf docdroid](#) - Jan 27 2023

web l adieu aux armes Ernest Hemingway traduit de l'anglais par Maurice E. Coindreau ebook réalisé par Lotus16 2011 titre original a Farewell to Arms Editions Gallimard 1948 pour la traduction française

[l adieu aux armes résumé détaillé du chef d'œuvre d'hemingway](#) - May 31 2023

web l adieu aux armes d'Ernest Hemingway est un roman emblématique de la littérature américaine du XXe siècle publié en 1929 il raconte l'histoire d'un jeune soldat américain Frédéric Henry qui s'engage dans l'armée italienne pendant la première guerre mondiale

[l adieu aux armes folio folio gallimard site gallimard](#) - Nov 24 2022

web may 11 2017 nouvelle édition en 2017 collection folio n 27 gallimard parution 11 05 2017 Frédéric Henry jeune américain volontaire dans les ambulances sur le front d'Italie pendant la première guerre mondiale est blessé et s'éprend de son infirmière Catherine Barkley

l adieu aux armes hemingway ernest 1899 1961 auteur - Apr 29 2023

web l'un des plus beaux romans écrits à propos de la guerre 1914-1918 le héros blesse quitte le combat il déserte et devra se refaire une vie marginale écrit en 1929 traduit de *A Farewell to Arms* réimpressions 1972 1982 1989 1990 1992 1996 1997 1999 2000 2002 2003 2006 2007 2009 2010

[l adieu aux armes film 1932 allociné](#) - Mar 17 2022

web synopsis nord de l'Italie en 1917 le lieutenant Frédéric Henry engagé volontaire américain dans le corps sanitaire de l'armée italienne oeuvre sur le front où il porte assistance aux

l adieu aux armes film 1957 senscritique - Sep 22 2022

web blessé au front lors de la première guerre mondiale le jeune lieutenant américain Frédéric Henry est transporté dans un hôpital de Milan il trouve un grand réconfort auprès de Catherine Barkley une infirmière anglaise dont il tombe amoureux

l adieu aux armes film 1957 allociné - Oct 24 2022

web synopsis blessé au front lors de la première guerre mondiale le jeune lieutenant américain Frédéric Henry est transporté dans un hôpital de Milan il trouve un grand réconfort auprès de

l adieu aux armes ernest hemingway babelio - Sep 03 2023

web Ernest Hemingway *l adieu aux armes* 1929 il faut entendre *l adieu aux armes* comme le renoncement à tout ce qui pourrait faire le bonheur de l'humanité d'abord la guerre hideuse et invraisemblable qui envoie des générations d'êtres humains à l'abattoir ensuite les convenances qui empoisonnent la liberté de vivre et puis la

l adieu aux armes by ernest hemingway goodreads - Jul 01 2023

web *l adieu aux armes* Ernest Hemingway Maurice Edgar Coindreau translator 3 81 312 440 ratings 13 315 reviews Frédéric Henry jeune américain volontaire dans les ambulances sur le front d'Italie pendant la première guerre mondiale est blessé et s'éprend de son infirmière Catherine Barkley

dr sümül kaya irsem - Apr 17 2022

web ses travaux se situent au croisement de la sociologie et de la science politique *l adieu aux armes* parcours d'anciens combattants Karthala collection recherches internationales Paris pp 83 110 rédaction de rapports et de programmes de recherche une armée au service de la présidence

l adieu aux armes ernest hemingway free download - Mar 29 2023

web mar 7 2023 l adieu aux armes by ernest hemingway publication date 1948 collection inlibrary printdisabled
internetarchivebooks contributor internet archive language english access restricted item true addeddate 2023 03 07 00 19
19 autocrop version 0 0 14 books 20220331 0 2 bookplateleaf 0002 boxid ia40866707

l adieu aux armes film 1932 wikipedia - Feb 13 2022

web l adieu aux armes a farewell to arms est un film américain réalisé par frank borzage sorti en 1932 synopsis modifier
modifier le code le lieutenant henry américain engagé auprès de l armée italienne contre l autriche comme ambulancier
tombe amoureux d une infirmière qui ne lui dit pas qu elle est enceinte et

l adieu aux armes youtube - Jun 19 2022

web oct 4 2017 bande annonce du film l adieu aux armes 1932 résumé le lieutenant frederick henry américain engagé
volontaire dans l armée italienne est tombé amoureux d une jeune infirmière

l adieu aux armes 1957 youtube - Aug 22 2022

web 0 00 2 32 l adieu aux armes 1957 cinemaetcie 44 5k subscribers subscribe 2 5k views 3 years ago bande annonce du film
l adieu aux armes résumé hiver 1917 frederick henry un

françois d orcival aux États unis l improbable adieu aux armes - Jul 21 2022

web 2 days ago chronique les américains détiennent le record du monde de possession d armes individuelles après une
nouvelle tuerie de masse ils s interrogent

amazon fr l adieu aux armes hemingway ernest livres - Feb 25 2023

web l adieu aux armes 9 20 242 en stock Frédéric Henry jeune américain volontaire dans les ambulances sur le front d Italie
pendant la première guerre mondiale est blessé et s éprend de son infirmière Catherine Barkley avec Catherine enceinte il
tente de fuir la guerre et de passer en Suisse où le destin les attend

regarder l adieu aux armes en streaming complet justwatch - May 19 2022

web il est possible de louer l adieu aux armes sur filmo bbox vod en ligne et de télécharger sur filmo résumé blessé au front
lors de la première guerre mondiale le jeune lieutenant américain Frédéric Henry est transporté dans un hôpital de Milan

l adieu aux armes wikipedia - Oct 04 2023

web l adieu aux armes est le troisième roman d Ernest Hemingway publié en 1929 c est un roman d inspiration
autobiographique dont l action se déroule en Italie pendant la première guerre mondiale Écrit à la première personne il
relate l histoire d amour tragique entre Frédéric Henry ambulancier américain engagé dans l

l adieu aux armes hemingway résumé et analyse du roman - Aug 02 2023

web un roman important d Ernest Hemingway l adieu aux armes a été publié en 1929 l auteur s est directement inspiré de ses
expériences et souvenirs personnels en effet il était ambulancier pour la Croix Rouge américaine pendant la première guerre

mondiale

direito do trabalho 35ª edição de 2019 amazon com br - May 12 2023

web sérgio pinto martins direito do trabalho 35ª edição de 2019 capa comum 16 agosto 2018 edição português por sérgio pinto martins autor 4 6 40 avaliações de clientes ver todos os formatos e edições capa comum r 214 00 3 novo a partir de r 54 90 em até 4x r 53 50 sem juros ver parcelas disponíveis há uma nova edição deste item

direito do trabalho 38ª edição 2022 amazon com br - Aug 15 2023

web compre online direito do trabalho 38ª edição 2022 de martins sergio pinto na amazon frete grátis em milhares de produtos com o amazon prime encontre diversos livros escritos por martins sergio pinto com ótimos preços

download direito do trabalho sergio pinto martins pdf - Jan 28 2022

web download direito do trabalho sergio pinto martins pdf type pdf date october 2019 size 39 1mb author matheus oliveira this document was uploaded by user and they confirmed that they have the permission to share it

direito do trabalho sergio pinto martins pdf academia edu - Sep 04 2022

web direito do trabalho sergio pinto martins pdf

sérgio pinto martins direito do trabalho livro - Jan 08 2023

web jan 28 2023 direito do trabalho sérgio pinto martins imprenta são paulo saraiva jur 2022 descrição física 1344 p isbn 9786553622609 referência 2022 disponibilidade rede virtual de bibliotecas localização stf stj 37 ed 2021 direito do trabalho sergio pinto martins imprenta são paulo saraiva jur 2021 descrição

direito processual do trabalho sérgio pinto martins 2023 - Jun 01 2022

web sergio pinto martins edição 45ª 2023 isbn 9786553626874 editora saraiva lingua português número de páginas 1152 país origem brasil r 279 00 direito processual do trabalho é referência doutrinária na área de processo trabalhista proporcionado formação sólida aos estudantes de direito

livro direito do trabalho sergio pinto martins estante virtual - Jul 02 2022

web sergio pinto martins direito do trabalho expõe de forma didática objetiva e prática o programa completo do direito do trabalho com sólida base na constituição nas leis tratados e convenções vigentes na melhor doutrina nacional e estrangeira e na jurisprudência mais atual

sergio pinto martins docente faculdade de direito manesco - Jul 14 2023

web tem especializações em direito empresarial mackenzie direito do trabalho fdusp e internacional labour standards on globalization tools for a globalized world of work na oit em turim itália e genebra suíça É mestre em direito tributário fdusp doutor em direito do trabalho fdusp livre docente em direito do trabalho fdusp

direito do trabalho 38ª edição 2022 editorasaraiva - Apr 30 2022

web sergio pinto martins pergunte e veja opiniões de quem já comprou livros que você pode gostar direito constitucional coleção esquematizado 2023 saraiva autor principal pedro lenza de r 267 00 por r 140 16 comprar vade mecum saraiva oab e graduação 24ª edição 2023 saraiva autor principal saraiva jur de r 270 00 por r

sergio pinto martins terceirização no direito do trabalho livro - Mar 30 2022

web jan 28 2023 ementa resumo estudo comparado sobre o tratamento dado à terceirização no direito dos seguintes países alemanha argentina colômbia espanha França Itália Japão México Paraguai Peru Tigres Asiáticos Uruguai e Venezuela sumário direito estrangeiro e internacional flexibilização das normas trabalhistas

livros de direito e processo do trabalho editora do direito - Aug 03 2022

web direito do trabalho e processo do trabalho 2ª edição de r 172 00 por r 68 80 comprar pré venda sergio pinto martins de r 110 00 por r 93 50 comprar lançamentos pré venda clt saraiva e constituição federal 55ª

sérgio pinto martins direito processual do trabalho livro - Feb 26 2022

web jan 28 2023 martins sérgio pinto 1963 título direito processual do trabalho data 2021 2020 1999 1994 ementa sumário evolução histórica do processo trabalhista na França Alemanha Itália México Espanha Grã Bretanha Estados Unidos e Brasil classificação cddir 342 68 direito privado 342 direito do trabalho

direito do trabalho sergio pinto martins 2023 qconcursos - Oct 05 2022

web em sua nova edição a obra mantém a mesma proposta de expor de maneira didática objetiva e clara todo o programa do direito do trabalho com conteúdo atualizado de acordo com a mais recente legislação as novas decisões e súmulas do TST e mudanças de entendimentos da doutrina especializada

direito do trabalho amazon com br - Jun 13 2023

web compre online direito do trabalho de sergio pinto martins na Amazon frete grátis em milhares de produtos com o Amazon Prime encontre diversos livros escritos por sergio pinto martins com ótimos preços

direito do trabalho amazon com br - Nov 06 2022

web direito processual do trabalho r 43 40 10 em estoque data de fechamento da edição 8 1 2020 as inúmeras qualidades da obra direito do trabalho de sergio pinto martins didática organização rigor nas atualizações legislativas jurisprudenciais e doutrinárias etc elevaram seu status para doutrina imprescindível ao

sergio pinto martins bdjur stj jus br - Apr 11 2023

web sergio pinto martins direito do trabalho 36ª edição 2020 saraiva stj00109681 1 d 1 d1 d e s 1 r d d a u a d n q u r i saraiva av doutora ruth cardoso 7 221 1 andar setor b pinheiros são paulo sp cep 05425 902

sérgio pinto martins academia brasileira de direito do trabalho - Mar 10 2023

web aug 9 2017 especialização em direito empresarial pela faculdade de direito da universidade presbiteriana mackenzie

em nível de pós graduação latu sensu 1986 em direito do trabalho pela faculdade de direito da universidade de são paulo em nível de pós graduação latu sensu 1989

apostila direito processual trabalho o site do 2022 - Dec 27 2021

web direito do trabalho completo 2020 introdução ao processo do trabalho princípios processo do trabalho passo a passo da entrevista até a sentença prof custódio direito processual do trabalho extensivo 2020 oab 4 4 apostila direito processual trabalho o site do 2021 11 23

direito processual do trabalho 45ª edição 2023 amazon com br - Feb 09 2023

web compre online direito processual do trabalho 45ª edição 2023 de martins sergio pinto na amazon frete grátis em milhares de produtos com o amazon prime encontre diversos livros escritos por martins sergio pinto com ótimos preços

direito do trabalho 37ªed 2021 sergio pinto martins - Dec 07 2022

web objeto de desejo as inúmeras qualidades da obra direito do trabalho de sergio pinto martins didática organização rigor nas atualizações legislativas jurisprudenciais e doutrinárias etc elevaram seu status para doutrina imprescindível ao estudo do direito material trabalhista

free einmaleins der entgeltabrechnung 2012 - Feb 08 2023

web einmaleins der entgeltabrechnung 2012 skript fr arbeits und sozialrecht jan 12 2021 skript aus dem jahr 2012 im fachbereich bwl personal und organisation sprache

einkommensteuertabelle 2012 zum kostenlosen pdf download - May 31 2022

web zusätzlich enthalten einige der einkommen steuer tabellen den soli daritäts zuschlag sowie die entspre chende kirchen steuer von 8 bzw 9 alle grundtabellen und

einmaleins der entgeltabrechnung 2012 - Oct 04 2022

web das einmaleins der entgeltabrechnung 2012 alexander enderes 2012 das einmaleins der bav praxis thomas fromme 2013 10 16 auf aktuellem rechtsstand erklärt dieser

einmaleins der entgeltabrechnung 2012 full pdf - May 11 2023

web einmaleins der entgeltabrechnung 2012 das einmaleins der bav praxis dec 25 2021 auf aktuellem rechtsstand erklärt dieser ratgeber anschaulich die verschiedenen

einmaleins der entgeltabrechnung 2012 - Jul 13 2023

web pages of einmaleins der entgeltabrechnung 2012 a mesmerizing literary creation penned by way of a celebrated wordsmith readers attempt an enlightening odyssey

einmaleins der entgeltabrechnung 2012 amazon de - Mar 09 2023

web einmaleins der entgeltabrechnung 2012 alga competence center isbn 9783895776724 kostenloser versand für alle

bücher mit versand und verkauf duch

kindergeld 2012 das sollten eltern wissen t online de - Dec 26 2021

web jan 4 2012 kindergeld 2012 alle wichtigen infos zu kindergeld auszahlungstermine freibetrag kindergeldantrag

kindergeldhöhe oder kindergeld einkommengrenzen

einmaleinsderentgeltabrechnung2012 pdf - Jul 01 2022

web auswirkungen auf die personalarbeit und entgeltabrechnung unter berücksichtigung des arbeits lohnsteuer und sozialversicherungsrechts ausführlich dargestellt themen

einmaleins der entgeltabrechnung 2012 wrbb neu edu - Sep 22 2021

web 2 einmaleins der entgeltabrechnung 2012 2021 05 14 each week also features a page to record any notes you want to add in order to personalize your journal my ohio garden

einmaleinsderentgeltabrechnung2011 download only - Apr 29 2022

web das einmaleins der entgeltabrechnung beantwortet in einfacher und verständlicher weise viele fragen die sich mit der täglichen personal und abrechnungspraxis

einmaleins der entgeltabrechnung 2012 uniport edu ng - Feb 25 2022

web may 4 2023 this einmaleins der entgeltabrechnung 2012 as one of the most lively sellers here will very be in the midst of the best options to review personalwirtschaft

einmaleinsderentgeltabrechnung2013 wikimid2 aapg - Sep 03 2022

web das einmaleins der entgeltabrechnung beantwortet in einfacher und verständlicher weise viele fragen die sich mit der täglichen personal und abrechnungspraxis

einmaleins der entgeltabrechnung 2012 a3 phasescientific com - Aug 02 2022

web einmaleins der entgeltabrechnung 2012 3 3 vocabulary development required for specific areas of business einmaleins der entgeltabrechnung 2017 datakontext

grundtabelle 2012 kostenloser pdf download finanz tools de - Dec 06 2022

web zusätzlich finden sie in unseren grund tabellen auch die kirchen steuer die in deutsch land je nach bundes land 8 oder 9 der einkommen steuer beträgt sowie den

einmalige zuwendungen 2012 beispiele lohn info de - Nov 05 2022

web für die neuen bundesländer ist 2012 die beitragsbemessungsgrenze in der renten und arbeitslosenversicherung 4 800 00 pro monat in der kranken und pflegversicherung

ebook einmaleins der entgeltabrechnung 2012 - Apr 10 2023

web einmaleins der entgeltabrechnung 2012 mar 04 2023 hauptbeschreibungdas einmaleins der entgeltabrechnung

beantwortet in einfacher und verständlicher

einmaleinsderentgeltabrechnung2014 wikimid2 aapg - Jan 27 2022

web das einmaleins der entgeltabrechnung 2012 das einmaleins der bav praxis handbuch lohnpfändung und lohnabtretung

das einmaleins der entgeltabrechnung 2010

2012 yılı ihracat rakamları açıklandı a haber - Nov 24 2021

web jan 31 2013 2012 yılı ihracat rakamları açıklandı 2012 de ihracatı yüzde 13 1 arttı İthalat yüzde 1 8 oranında azaldı

das einmaleins der entgeltabrechnung 2012 google books - Jun 12 2023

web das einmaleins der entgeltabrechnung 2012 author alexander enderes publisher datakontext gmbh 2012 isbn

3895776726 9783895776724 length 494 pages

einmaleins der entgeltabrechnung 2012 copy - Jan 07 2023

web einmaleins der entgeltabrechnung 2012 einmaleins der entgeltabrechnung 2012 2 downloaded from klantenhandboek

dutchgiraffe com on 2020 05 23 by guest

einmaleins der entgeltabrechnung 2012 app oaklandlibrary org - Mar 29 2022

web einmaleins der entgeltabrechnung 2012 3 3 vorschriften angepasst die wichtigsten fragen die dieses buch in

anschaulicher form und mit vielen beispielen beantwortet

einmaleins der entgeltabrechnung 2012 northeastern university - Oct 24 2021

web einmaleins der entgeltabrechnung 2012 1 einmaleins der entgeltabrechnung 2012 if you ally habit such a referred

einmaleins der entgeltabrechnung 2012 books that will

einmaleins der entgeltabrechnung 2012 kağıt kapak - Aug 14 2023

web einmaleins der entgeltabrechnung 2012 alga competence center amazon com tr kitap