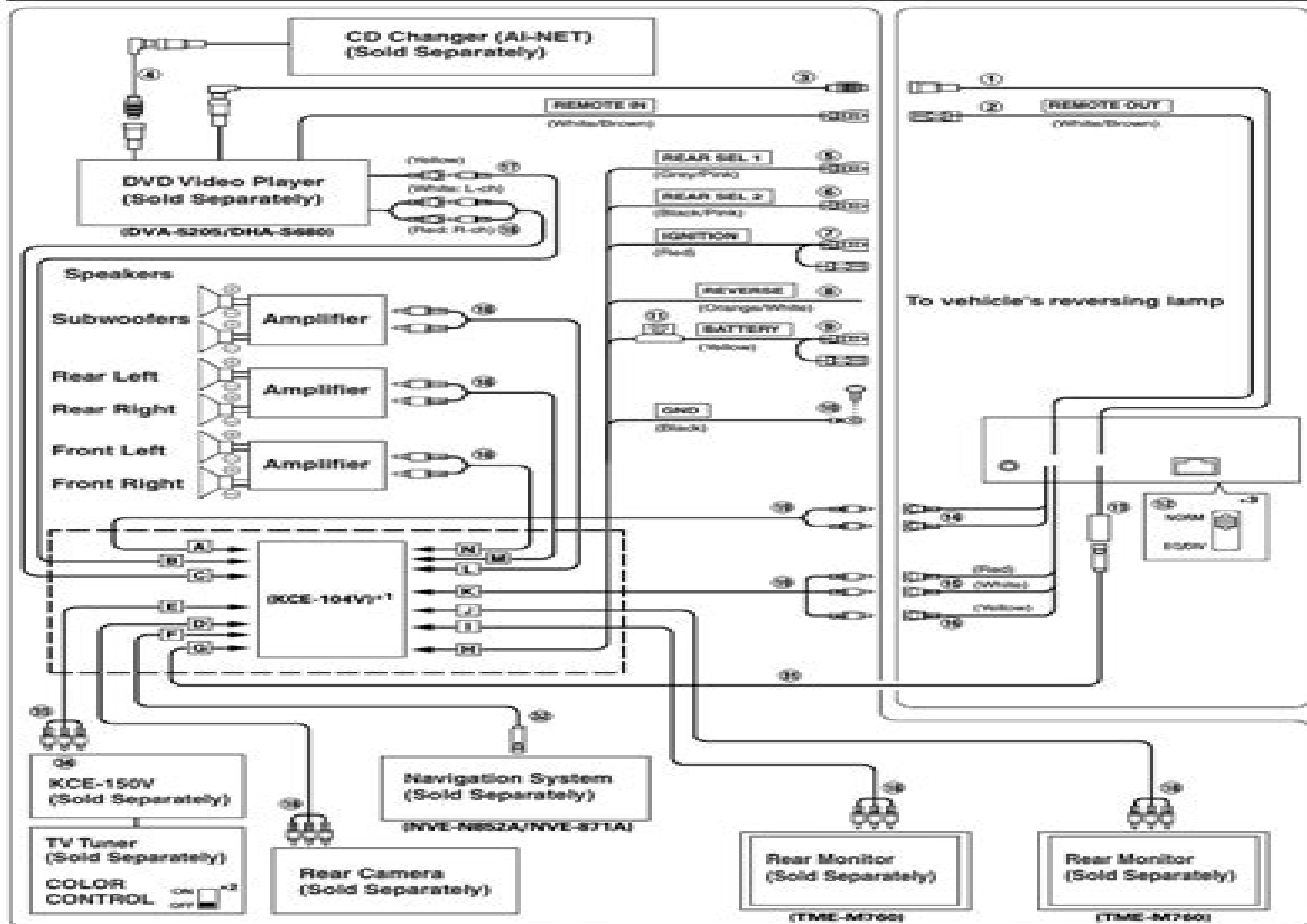


# Installation and Connections

System Example 2 (connecting to the optional KCE-104V):  
Refer also to Basic Connections.



For details of each setting of external devices, refer to "Setting the External Expansion Box" (page 35), "Rear Monitor Setting" (page 36), "Setting the External Input" (page 37) and "Setting Front/Rear Subwoofer Preout of the External Expansion Box" (page 37).

- \*\* Refer to the KCE-104V detail on page 53.
- \*\* Set the color control of TV Tuner to OFF.
- \*\* Be sure turn the power off to the unit before changing the switch position.

# Ki 525a Install Manual

**Michael Hoelscher**



## **Ki 525a Install Manual:**

Uncover the mysteries within is enigmatic creation, Embark on a Mystery with **Ki 525a Install Manual** . This downloadable ebook, shrouded in suspense, is available in a PDF format ( \*). Dive into a world of uncertainty and anticipation. Download now to unravel the secrets hidden within the pages.

<http://www.armchairempire.com/files/scholarship/fetch.php/Ibrahim%20Rugova%20Viaggio%20Memoria%20Litalia%20Ebook.pdf>

## **Table of Contents Ki 525a Install Manual**

1. Understanding the eBook Ki 525a Install Manual
  - The Rise of Digital Reading Ki 525a Install Manual
  - Advantages of eBooks Over Traditional Books
2. Identifying Ki 525a Install Manual
  - Exploring Different Genres
  - Considering Fiction vs. Non-Fiction
  - Determining Your Reading Goals
3. Choosing the Right eBook Platform
  - Popular eBook Platforms
  - Features to Look for in an Ki 525a Install Manual
  - User-Friendly Interface
4. Exploring eBook Recommendations from Ki 525a Install Manual
  - Personalized Recommendations
  - Ki 525a Install Manual User Reviews and Ratings
  - Ki 525a Install Manual and Bestseller Lists
5. Accessing Ki 525a Install Manual Free and Paid eBooks
  - Ki 525a Install Manual Public Domain eBooks
  - Ki 525a Install Manual eBook Subscription Services
  - Ki 525a Install Manual Budget-Friendly Options

6. Navigating Ki 525a Install Manual eBook Formats
  - ePub, PDF, MOBI, and More
  - Ki 525a Install Manual Compatibility with Devices
  - Ki 525a Install Manual Enhanced eBook Features
7. Enhancing Your Reading Experience
  - Adjustable Fonts and Text Sizes of Ki 525a Install Manual
  - Highlighting and Note-Taking Ki 525a Install Manual
  - Interactive Elements Ki 525a Install Manual
8. Staying Engaged with Ki 525a Install Manual
  - Joining Online Reading Communities
  - Participating in Virtual Book Clubs
  - Following Authors and Publishers Ki 525a Install Manual
9. Balancing eBooks and Physical Books Ki 525a Install Manual
  - Benefits of a Digital Library
  - Creating a Diverse Reading Collection Ki 525a Install Manual
10. Overcoming Reading Challenges
  - Dealing with Digital Eye Strain
  - Minimizing Distractions
  - Managing Screen Time
11. Cultivating a Reading Routine Ki 525a Install Manual
  - Setting Reading Goals Ki 525a Install Manual
  - Carving Out Dedicated Reading Time
12. Sourcing Reliable Information of Ki 525a Install Manual
  - Fact-Checking eBook Content of Ki 525a Install Manual
  - Distinguishing Credible Sources
13. Promoting Lifelong Learning
  - Utilizing eBooks for Skill Development
  - Exploring Educational eBooks
14. Embracing eBook Trends
  - Integration of Multimedia Elements

- Interactive and Gamified eBooks

## **Ki 525a Install Manual Introduction**

Ki 525a Install Manual Offers over 60,000 free eBooks, including many classics that are in the public domain. Open Library: Provides access to over 1 million free eBooks, including classic literature and contemporary works. Ki 525a Install Manual Offers a vast collection of books, some of which are available for free as PDF downloads, particularly older books in the public domain. Ki 525a Install Manual : This website hosts a vast collection of scientific articles, books, and textbooks. While it operates in a legal gray area due to copyright issues, its a popular resource for finding various publications. Internet Archive for Ki 525a Install Manual : Has an extensive collection of digital content, including books, articles, videos, and more. It has a massive library of free downloadable books. Free-eBooks Ki 525a Install Manual Offers a diverse range of free eBooks across various genres. Ki 525a Install Manual Focuses mainly on educational books, textbooks, and business books. It offers free PDF downloads for educational purposes. Ki 525a Install Manual Provides a large selection of free eBooks in different genres, which are available for download in various formats, including PDF. Finding specific Ki 525a Install Manual, especially related to Ki 525a Install Manual, might be challenging as theyre often artistic creations rather than practical blueprints. However, you can explore the following steps to search for or create your own Online Searches: Look for websites, forums, or blogs dedicated to Ki 525a Install Manual, Sometimes enthusiasts share their designs or concepts in PDF format. Books and Magazines Some Ki 525a Install Manual books or magazines might include. Look for these in online stores or libraries. Remember that while Ki 525a Install Manual, sharing copyrighted material without permission is not legal. Always ensure youre either creating your own or obtaining them from legitimate sources that allow sharing and downloading. Library Check if your local library offers eBook lending services. Many libraries have digital catalogs where you can borrow Ki 525a Install Manual eBooks for free, including popular titles. Online Retailers: Websites like Amazon, Google Books, or Apple Books often sell eBooks. Sometimes, authors or publishers offer promotions or free periods for certain books. Authors Website Occasionally, authors provide excerpts or short stories for free on their websites. While this might not be the Ki 525a Install Manual full book , it can give you a taste of the authors writing style. Subscription Services Platforms like Kindle Unlimited or Scribd offer subscription-based access to a wide range of Ki 525a Install Manual eBooks, including some popular titles.

## **FAQs About Ki 525a Install Manual Books**

**What is a Ki 525a Install Manual PDF?** A PDF (Portable Document Format) is a file format developed by Adobe that

preserves the layout and formatting of a document, regardless of the software, hardware, or operating system used to view or print it. **How do I create a Ki 525a Install Manual PDF?** There are several ways to create a PDF: Use software like Adobe Acrobat, Microsoft Word, or Google Docs, which often have built-in PDF creation tools. Print to PDF: Many applications and operating systems have a "Print to PDF" option that allows you to save a document as a PDF file instead of printing it on paper. Online converters: There are various online tools that can convert different file types to PDF. **How do I edit a Ki 525a Install Manual PDF?** Editing a PDF can be done with software like Adobe Acrobat, which allows direct editing of text, images, and other elements within the PDF. Some free tools, like PDFescape or Smallpdf, also offer basic editing capabilities. **How do I convert a Ki 525a Install Manual PDF to another file format?** There are multiple ways to convert a PDF to another format: Use online converters like Smallpdf, Zamzar, or Adobe Acrobat's export feature to convert PDFs to formats like Word, Excel, JPEG, etc. Software like Adobe Acrobat, Microsoft Word, or other PDF editors may have options to export or save PDFs in different formats. **How do I password-protect a Ki 525a Install Manual PDF?** Most PDF editing software allows you to add password protection. In Adobe Acrobat, for instance, you can go to "File" -> "Properties" -> "Security" to set a password to restrict access or editing capabilities. Are there any free alternatives to Adobe Acrobat for working with PDFs? Yes, there are many free alternatives for working with PDFs, such as: LibreOffice: Offers PDF editing features. PDFsam: Allows splitting, merging, and editing PDFs. Foxit Reader: Provides basic PDF viewing and editing capabilities. How do I compress a PDF file? You can use online tools like Smallpdf, ILovePDF, or desktop software like Adobe Acrobat to compress PDF files without significant quality loss. Compression reduces the file size, making it easier to share and download. Can I fill out forms in a PDF file? Yes, most PDF viewers/editors like Adobe Acrobat, Preview (on Mac), or various online tools allow you to fill out forms in PDF files by selecting text fields and entering information. Are there any restrictions when working with PDFs? Some PDFs might have restrictions set by their creator, such as password protection, editing restrictions, or print restrictions. Breaking these restrictions might require specific software or tools, which may or may not be legal depending on the circumstances and local laws.

### **Find Ki 525a Install Manual :**

**ibrahim rugova viaggio memoria litalia ebook**

[i love ranch dressing and other stuff white midwesterners like](#)

**icd 10 cm coding guidelines**

**ibid maths solutions manual mathematics**

**i know you got soul**

~~ice cream and frozen deserts a commercial guide to production and marketing~~

**ib french b 2013 mark scheme**

[ibm thinkpad t23 laptop service manual](#)

[i can make dua anywhere i can islamic foundation](#)

[iball andi 5m atom xotic review and feature](#)

**icaao acronyms manual**

**i went to download waysap dat wil nt be corrupted**

[i went to the animal fair a journey through madness to meaning](#)

[i wake up screening what to do once youve made that movie](#)

**ibm thinkpad t20 manual**

**Ki 525a Install Manual :**

2004 Audi A4 Owners Manual 2004 Audi A4 Owners Manual [Audi] on Amazon.com. \*FREE\* shipping on ... #1,790 in Vehicle Owner's Manuals & Maintenance Guides. Customer Reviews, 5.0 ... Audi Online Owner's Manual Audi Online Owner's Manual. The Audi Online Owner's Manual features Owner's, Radio and Navigation Manuals for. Audi vehicles from model year 2008 to current. AUDI A4 OWNER'S MANUAL Pdf Download View and Download Audi A4 owner's manual online. A4 automobile pdf manual download. Also for: A4 (b8). 2004 Audi A4 Sedan Owner Manual User Guide 1.8T 3.0 ... Find many great new & used options and get the best deals for 2004 Audi A4 Sedan Owner Manual User Guide 1.8T 3.0 CVT Manual Quattro AWD at the best online ... Audi A4 >> Audi A4 Owners Manual Audi A4 Owners Manual. Audi A4 Owners Manual The Audi A4 holds the distinction ... Quattro all-wheel drive. Tight panel gaps, high-quality materials and firm ... Repair Manuals & Literature for 2004 Audi A4 Get the best deals on Repair Manuals & Literature for 2004 Audi A4 when you shop the largest online selection at eBay.com. Free shipping on many items ... Audi A4 Avant 2004 User manual Feb 1, 2021 — Topics: manualzz, manuals, A4 Avant 2004, Audi user manuals, Audi service manuals, A4 Avant 2004 pdf download, A4 Avant 2004 instructions, Audi ... audi a4 b6 2004 owner's manual Sep 5, 2023 — A4 (B6 Platform) Discussion - audi a4 b6 2004 owner's manual - does someone happen to have a pdf of the owner's manual? or perhaps could ... 2004 Owners Manual WSA2415618E521 OEM Part Manufacturer information & instructions regarding your 2004 AUDI A4 (SEDAN). More Information; Fitment; Reviews. Audi A4 Avant 2004 Manuals Manuals and User Guides for Audi A4 Avant 2004. We have 1 Audi A4 Avant 2004 manual available for free PDF download: Communications Manual ... Restaurant Operations Manual Template Free Aug 5, 2023 — A restaurant operations manual template is a comprehensive guide that outlines the processes and procedures for every aspect of a restaurant. It ... 6+ Restaurant Operations Plan Templates & Samples 6+ Restaurant Operations Plan Templates & Samples - PDF, Word. Day in and day out ... Restaurant Operational Manual Template. Free



Restaurant Operations Manual Checklists - Eat App Download our free & easy-to-use restaurant operations manual checklist template now to access example and customizable checklists. Free Restaurant Operations Manual Template - Eat App Learn more about creating an operations manual for your restaurant and download our free template today. 6+ Restaurant Manual Templates | Free Printable Word & ... Restaurant Manual Templates | 6+ Free Word, Excel & PDF Formats, Samples, Examples, Designs. A restaurant manual template is a crucial document ... Free Restaurant Training Manual Template - Toast Use this restaurant training manual template to create a custom training manual for your restaurant, outlining staff expectations, functions of their role, ... Free Restaurant Training Manual Template - TouchBistro Use our free restaurant training manual PDF to create a handy guidebook for new staff and streamline the onboarding process. Restaurant Operation Manual | PDF - Scribd Restaurant Operation Manual - Free ebook download as Word Doc (.doc / . ... Business Templates · Court Filings · All documents · Sports & Recreation. Download Your Free Restaurant Training Manual ... - EdApp We've rounded up the most effective restaurant training manual samples, like Server training Manuals and Restaurant operations Standard Manuals. But to ... Working as a Field Engineer at Schlumberger: 137 Reviews The job itself is very stressful and includes very long hours a lot of the time. There's no work life balance. Pros. Field Engineer | Schlumberger The WEC Field Engineer - DD identifies opportunities to improve service delivery, implements standard work, and manage, risk during service delivery. Roles and ... Early Careers - Operations Field Engineer. Be involved in every phase of our business ; Field Specialist. Turn technical expertise into transformative impact ; Field Technical Analyst. SLB Cement Field Engineer Salaries The average salary for a Field Engineer - Cementing is \$81,856 per year in United States, which is 29% lower than the average SLB salary of \$115,567 per year ... Cementing Field Specialist | Schlumberger The purpose of the position is to execute the different cementing processes of both primary and remediation oil wells. A successful person in this position must ... SLB Cement Field Engineer Salaries in Midland The average salary for a Cement Field Engineer is \$69,532 per year in Midland, TX, which is 27% lower than the average SLB salary of \$96,015 per year for this ... How is it to be a Field Engineer in Schlumberger? Dec 5, 2012 — A Field Engineer in Schlumberger is like an adjustable wrench. He/she can be used to tighten any bolt as and when needed... Instead of getting ... My Schlumberger Career- Field Engineer - YouTube Schlumberger - Cementing : r/oilandgasworkers Greetings,. I've just recieved a job offer letter from Schlumberger in Cementing as Field Engineer Trainee. I'm aware of Schlumberger general ...