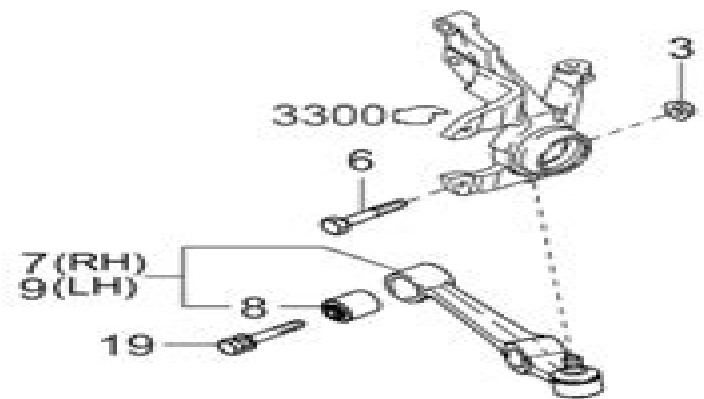
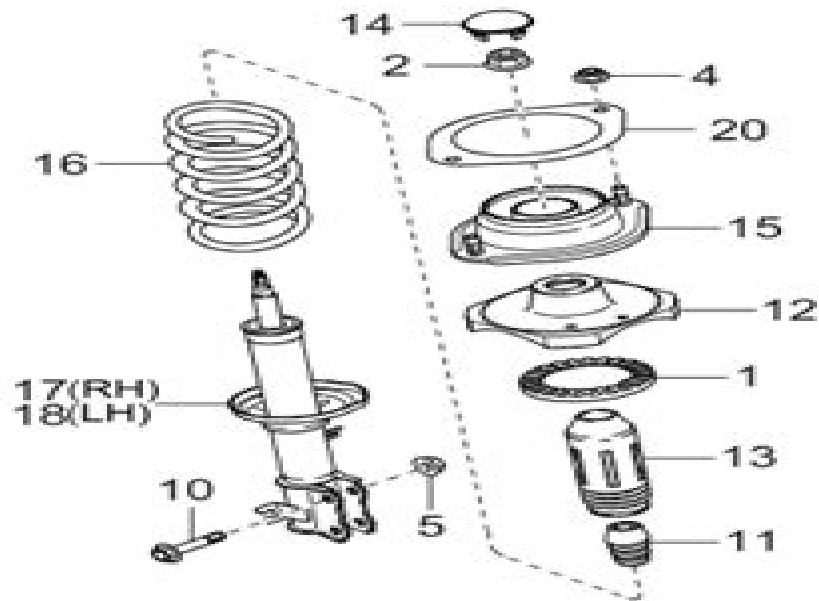
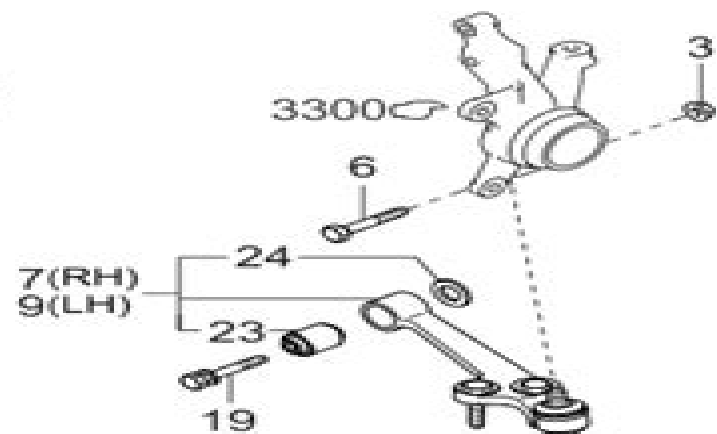
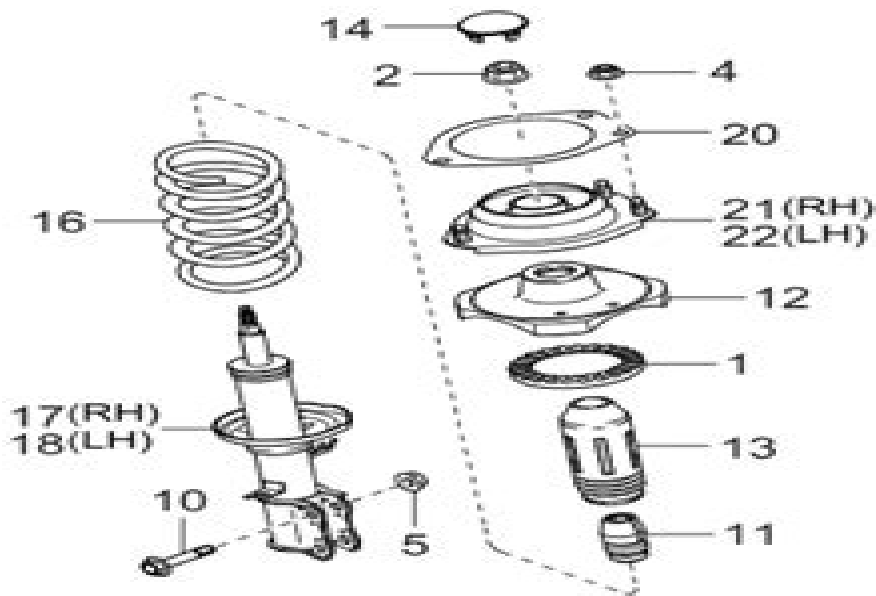


(000510-020701)



(020701-)



# Kia Rio 2004 Parts Manual

**Roman Wölfel**



## **Kia Rio 2004 Parts Manual:**

Fuel your quest for knowledge with Authored by is thought-provoking masterpiece, **Kia Rio 2004 Parts Manual** . This educational ebook, conveniently sized in PDF ( Download in PDF: \*), is a gateway to personal growth and intellectual stimulation. Immerse yourself in the enriching content curated to cater to every eager mind. Download now and embark on a learning journey that promises to expand your horizons. .

[http://www.armchairempire.com/results/publication/fetch.php/Mcgraw\\_Hill\\_Connect\\_Microbiology\\_Final\\_Study\\_Guide.pdf](http://www.armchairempire.com/results/publication/fetch.php/Mcgraw_Hill_Connect_Microbiology_Final_Study_Guide.pdf)

## **Table of Contents Kia Rio 2004 Parts Manual**

1. Understanding the eBook Kia Rio 2004 Parts Manual
  - The Rise of Digital Reading Kia Rio 2004 Parts Manual
  - Advantages of eBooks Over Traditional Books
2. Identifying Kia Rio 2004 Parts Manual
  - Exploring Different Genres
  - Considering Fiction vs. Non-Fiction
  - Determining Your Reading Goals
3. Choosing the Right eBook Platform
  - Popular eBook Platforms
  - Features to Look for in an Kia Rio 2004 Parts Manual
  - User-Friendly Interface
4. Exploring eBook Recommendations from Kia Rio 2004 Parts Manual
  - Personalized Recommendations
  - Kia Rio 2004 Parts Manual User Reviews and Ratings
  - Kia Rio 2004 Parts Manual and Bestseller Lists
5. Accessing Kia Rio 2004 Parts Manual Free and Paid eBooks
  - Kia Rio 2004 Parts Manual Public Domain eBooks
  - Kia Rio 2004 Parts Manual eBook Subscription Services
  - Kia Rio 2004 Parts Manual Budget-Friendly Options

6. Navigating Kia Rio 2004 Parts Manual eBook Formats
  - ePub, PDF, MOBI, and More
  - Kia Rio 2004 Parts Manual Compatibility with Devices
  - Kia Rio 2004 Parts Manual Enhanced eBook Features
7. Enhancing Your Reading Experience
  - Adjustable Fonts and Text Sizes of Kia Rio 2004 Parts Manual
  - Highlighting and Note-Taking Kia Rio 2004 Parts Manual
  - Interactive Elements Kia Rio 2004 Parts Manual
8. Staying Engaged with Kia Rio 2004 Parts Manual
  - Joining Online Reading Communities
  - Participating in Virtual Book Clubs
  - Following Authors and Publishers Kia Rio 2004 Parts Manual
9. Balancing eBooks and Physical Books Kia Rio 2004 Parts Manual
  - Benefits of a Digital Library
  - Creating a Diverse Reading Collection Kia Rio 2004 Parts Manual
10. Overcoming Reading Challenges
  - Dealing with Digital Eye Strain
  - Minimizing Distractions
  - Managing Screen Time
11. Cultivating a Reading Routine Kia Rio 2004 Parts Manual
  - Setting Reading Goals Kia Rio 2004 Parts Manual
  - Carving Out Dedicated Reading Time
12. Sourcing Reliable Information of Kia Rio 2004 Parts Manual
  - Fact-Checking eBook Content of Kia Rio 2004 Parts Manual
  - Distinguishing Credible Sources
13. Promoting Lifelong Learning
  - Utilizing eBooks for Skill Development
  - Exploring Educational eBooks
14. Embracing eBook Trends
  - Integration of Multimedia Elements

- Interactive and Gamified eBooks

### **Kia Rio 2004 Parts Manual Introduction**

In the digital age, access to information has become easier than ever before. The ability to download Kia Rio 2004 Parts Manual has revolutionized the way we consume written content. Whether you are a student looking for course material, an avid reader searching for your next favorite book, or a professional seeking research papers, the option to download Kia Rio 2004 Parts Manual has opened up a world of possibilities. Downloading Kia Rio 2004 Parts Manual provides numerous advantages over physical copies of books and documents. Firstly, it is incredibly convenient. Gone are the days of carrying around heavy textbooks or bulky folders filled with papers. With the click of a button, you can gain immediate access to valuable resources on any device. This convenience allows for efficient studying, researching, and reading on the go. Moreover, the cost-effective nature of downloading Kia Rio 2004 Parts Manual has democratized knowledge. Traditional books and academic journals can be expensive, making it difficult for individuals with limited financial resources to access information. By offering free PDF downloads, publishers and authors are enabling a wider audience to benefit from their work. This inclusivity promotes equal opportunities for learning and personal growth. There are numerous websites and platforms where individuals can download Kia Rio 2004 Parts Manual. These websites range from academic databases offering research papers and journals to online libraries with an expansive collection of books from various genres. Many authors and publishers also upload their work to specific websites, granting readers access to their content without any charge. These platforms not only provide access to existing literature but also serve as an excellent platform for undiscovered authors to share their work with the world. However, it is essential to be cautious while downloading Kia Rio 2004 Parts Manual. Some websites may offer pirated or illegally obtained copies of copyrighted material. Engaging in such activities not only violates copyright laws but also undermines the efforts of authors, publishers, and researchers. To ensure ethical downloading, it is advisable to utilize reputable websites that prioritize the legal distribution of content. When downloading Kia Rio 2004 Parts Manual, users should also consider the potential security risks associated with online platforms. Malicious actors may exploit vulnerabilities in unprotected websites to distribute malware or steal personal information. To protect themselves, individuals should ensure their devices have reliable antivirus software installed and validate the legitimacy of the websites they are downloading from. In conclusion, the ability to download Kia Rio 2004 Parts Manual has transformed the way we access information. With the convenience, cost-effectiveness, and accessibility it offers, free PDF downloads have become a popular choice for students, researchers, and book lovers worldwide. However, it is crucial to engage in ethical downloading practices and prioritize personal security when utilizing online platforms. By doing so, individuals can make the most of the vast array of free PDF resources available and embark on a journey of continuous

learning and intellectual growth.

## **FAQs About Kia Rio 2004 Parts Manual Books**

1. Where can I buy Kia Rio 2004 Parts Manual books? Bookstores: Physical bookstores like Barnes & Noble, Waterstones, and independent local stores. Online Retailers: Amazon, Book Depository, and various online bookstores offer a wide range of books in physical and digital formats.
2. What are the different book formats available? Hardcover: Sturdy and durable, usually more expensive. Paperback: Cheaper, lighter, and more portable than hardcovers. E-books: Digital books available for e-readers like Kindle or software like Apple Books, Kindle, and Google Play Books.
3. How do I choose a Kia Rio 2004 Parts Manual book to read? Genres: Consider the genre you enjoy (fiction, non-fiction, mystery, sci-fi, etc.). Recommendations: Ask friends, join book clubs, or explore online reviews and recommendations. Author: If you like a particular author, you might enjoy more of their work.
4. How do I take care of Kia Rio 2004 Parts Manual books? Storage: Keep them away from direct sunlight and in a dry environment. Handling: Avoid folding pages, use bookmarks, and handle them with clean hands. Cleaning: Gently dust the covers and pages occasionally.
5. Can I borrow books without buying them? Public Libraries: Local libraries offer a wide range of books for borrowing. Book Swaps: Community book exchanges or online platforms where people exchange books.
6. How can I track my reading progress or manage my book collection? Book Tracking Apps: Goodreads, LibraryThing, and Book Catalogue are popular apps for tracking your reading progress and managing book collections. Spreadsheets: You can create your own spreadsheet to track books read, ratings, and other details.
7. What are Kia Rio 2004 Parts Manual audiobooks, and where can I find them? Audiobooks: Audio recordings of books, perfect for listening while commuting or multitasking. Platforms: Audible, LibriVox, and Google Play Books offer a wide selection of audiobooks.
8. How do I support authors or the book industry? Buy Books: Purchase books from authors or independent bookstores. Reviews: Leave reviews on platforms like Goodreads or Amazon. Promotion: Share your favorite books on social media or recommend them to friends.
9. Are there book clubs or reading communities I can join? Local Clubs: Check for local book clubs in libraries or community centers. Online Communities: Platforms like Goodreads have virtual book clubs and discussion groups.

10. Can I read Kia Rio 2004 Parts Manual books for free? Public Domain Books: Many classic books are available for free as they're in the public domain. Free E-books: Some websites offer free e-books legally, like Project Gutenberg or Open Library.

**Find Kia Rio 2004 Parts Manual :**

*mcgraw hill connect microbiology final study guide*

**mcgraw hill connect solutions manual business statistics**

mcgraw hill connect managerial accounting solutions manual

~~mcgraw hill connect electrical engineering solution manual~~

mcgraw hill connect intermediate accounting solutions manual

mcgraw hill connected tu mundo answer key

*mcgraw hill connect smartbook answers*

**mcgraw hill connect economics 2023 exam 2 study guide and answers**

~~mcgraw hill corporate finance study guide~~

~~mcgraw hill connect writing answers~~

**mcgraw hill connect spanish answers**

**mcgraw hill connect solutions manual for accounting**

**mcgraw hill connect chemistry answers**

mcgraw hill connect music answers

mcgraw hill connect quiz answers exploring geology

**Kia Rio 2004 Parts Manual :**

*breaking the spanish barrier level iii advanced answer key - Aug 24 2023*

breaking the spanish barrier level iii advanced answer key booklet john conner google books

breaking the spanish barrier advanced amazon com - Oct 14 2022

jul 1 2007 workbook breaking the spanish barrier is a core text workbook and handy reference all in one it can stand alone or complement the multitude of spanish language resources currently available print length 366 pages language english publisher

**breaking the spanish barrier level 2 answer key pdf pdffiller - May 09 2022**



fill breaking the spanish barrier level 2 answer key pdf edit online sign fax and printable from pc ipad tablet or mobile with pdfiller instantly try now

**spanish level 3 advanced answer key booklet breaking the barrier** - Apr 08 2022

spanish level 3 advanced answer key booklet by breaking the barrier 15 00 pay in 4 interest free installments for orders over 50 00 with learn more contains all the answers to the exercises found in the spanish level 3 textbook isbn 978 1 955306 20 1 quantity

**breaking the barrier** - Jul 23 2023

sample chapter buy now spanish level 3 advanced spanish level 3 advanced level 3 begins by reviewing the present past conditional and future tenses level 3 is ideal for advanced or ap level classes all perfect tenses including the present perfect pluperfect future perfect and conditional perfect

**breaking the spanish barrier advanced answers 91meiore** - Jun 10 2022

breaking the spanish barrier advanced answers 91meiore book review unveiling the power of words in a global driven by information and connectivity the power of words has be evident than ever they have the capability to inspire provoke and ignite change

spanish breaking the barrier - Feb 06 2022

breaking the barrier founded in 1997 by educators breaking the barrier is a global leader in print and digital language learning featuring instruction in spanish french and english breaking the barrier provides students with a rock solid understanding of language fundamentals as well as cultural insights from around the world

**spanish level 3 advanced book teacher s edition breaking the barrier** - Dec 04 2021

spanish level 3 advanced book teacher s edition by breaking the barrier 75 00 pay in 4 interest free installments of 18 75 with learn more the teacher s edition contains all of the answers for the written exercises isbn 978 1 955306 05 8 quantity add to cart

answer key booklets breaking the barrier - Jun 22 2023

15 00 spanish level 3 advanced answer key booklet breaking the barrier 15 00 french level 3 advanced answer key booklet breaking the barrier 15 00 french level 1 beginner answer key booklet breaking the barrier 15 00 french level 2 intermediate answer key booklet breaking the barrier

**breaking the spanish barrier level 3 advanced answer key** - Sep 25 2023

product description publisher description contains all the answers to the exercises found in our spanish 3 textbook category description for breaking the spanish barrier level 3 level 3 advanced reviews the first two years adding more advanced grammar concepts expressions and geography

*breaking the barrier courses spanish and french* - Dec 16 2022

06 may 2022 breaking the spanish barrier breaking the barrier offers rigorous high school programs in either spanish or french these courses teach both grammar and practical conversational usage the three levels available for each language are labeled beginner intermediate and advanced

breaking the spanish barrier level 1 answers spanish to go - Sep 13 2022

oct 26 2022 level 1 of this program covers fundamental topics and vocabulary to build a solid foundation in spanish if you re looking for answers to the exercises and activities in breaking the spanish barrier level 1 this article will provide you

*breaking the spanish barrier level iii advanced answer key* - Mar 19 2023

rent breaking the spanish barrier level iii advanced answer key booklet at chegg com and save up to 80 off list price and 90 off used textbooks free 7 day instant etextbook access to your textbook while you wait

**breaking the spanish barrier advanced answer key pdf answers** - Jan 17 2023

10141 online library breaking the spanish barrier advanced answers mar 9 2022 right here we have countless ebook

breaking the spanish barrier advanced answers 91meiore and collections to check out mobile waldenu edu adward database

breaking the spanish barrier advanced answers 91meiore z46qm9

**spanish series overview breaking the barrier** - Apr 20 2023

level 3 advanced our level 3 advanced book targets students in their 3rd or 4th year of spanish it is a text that highlights all they key grammar found on ap sat ii ib or college placement tests

**spanish level 3 advanced online access code breaking the barrier** - Jan 05 2022

breaking the spanish barrier level 3 advanced is ideal for students in their 3rd or 4th year of spanish it is a text that highlights all of the key grammar found on ap sat ii ib or college placement tests in fact author john conner used to help write the ap tests

**breaking the spanish barrier rainbow resource** - May 21 2023

breaking the spanish barrier level 3 advanced homeschool package digital audio enhancements online access code 1

**homeschool spanish breaking the barrier** - Mar 07 2022

answer key booklet hardcopy spanish oasis hardcopy test program hardcopy pacing guide hardcopy online access code for interactive book with audio video and flashcards what s an online access code an online access code provides 12 months of online access to the material of the respective print textbook

**breaking the spanish barrier level iii advanced answer key** - Feb 18 2023

jan 1 2005 rent breaking the spanish barrier level iii advanced answer key booklet 1st edition 978 0972857079 today or search our site for other textbooks by john conner every textbook comes with a 21 day any reason guarantee published by

[breaking the spanish barrier advanced pdf free download breaking](#) - Nov 15 2022

breaking the spanish barrier advanced john conner cathy folts click here if own download doesn't start automatically

crushing the spanish barrier advanced john conner cathy folts breaking the spanish

[breaking the spanish barrier advanced answers](#) - Jul 11 2022

breaking the spanish barrier advanced answers breaking the spanish barrier advanced answers 3 downloaded from vlamtech.uri.edu on 2019-12-06 by guest confidence and the tools you need to achieve a high spanish proficiency you'll get a quick review of the key grammar basics then move on to more advanced topics that you need for true

**breaking the spanish barrier advanced amazon.com** - Aug 12 2022

breaking the spanish barrier was in perfect condition both inside and out i am very happy with the product product was as described read more helpful report abuse lucy long 1.0 out of 5 stars the book should be in a better condition lucy reviewed in the united states

**may 2014 calendar timeanddate.com** - Jul 03 2022

web 29 30 31 phases of the moon 6 14 21 28 holidays and observances 5 cinco de mayo 11 mother's day 26 memorial day

printer friendly calendar printing help page for

**timetable csec 2018 may june 2csec timetable may** - Dec 08 2022

web of 12 caribbean secondary education certificate examinations timetable may june 2018 2018 morning afternoon monday portuguese

[cape may june 2014 final timetable documents and e books](#) - Jul 15 2023

web caribbean examinations council caribbean advanced proficiency examination timetable may june 2014 cape 2014 thursday 17 april morning afternoon

**timetables cape caribbean examinations council** - Jun 14 2023

web may june 2023 final timetable cxc is the premier provider of globally competitive curriculum development services examinations certification and education

[cape may june 2014 timetable pdf pdf qa thechesedfund](#) - Apr 12 2023

web cape may june 2014 timetable pdf introduction cape may june 2014 timetable pdf pdf title cape may june 2014 timetable pdf pdf qa thechesedfund.com

**timetable cape may june 2015 final pdf slideshare** - Feb 27 2022

web dec 5 2014 8 key to 2015 timetable cape subject paper no date session accounting unit 1 1 2 11 june 22 may am 1 hr 30 min am 2 hr 45 min

[2014 cape timetable studylib.net](#) - Jan 29 2022

web no category 2014 cape timetable advertisement

**cxc cape 2014 timetable docshare tips** - Mar 31 2022

web caribbean examinations council caribbean advanced proficiency examination timetable may june 2014 cape 2014 thursday 17 april

**caribbean secondary education certificate examinations** - Mar 11 2023

web of 9 caribbean secondary education certificate examinations timetable july august 2020 2020 morning afternoon monday french 3

**cape may june 2014 timetable pdf copy support ortax** - Feb 10 2023

web cape may june 2014 timetable pdf introduction cape may june 2014 timetable pdf copy

*cxc cape may june 2016 timetable pdf scribd* - Nov 07 2022

web cxc cape may june 2016 timetable free download as pdf file pdf text file txt or read online for free the timetable of cape examinations for the may june examination

**cape may june 2014 timetable help environment harvard edu** - Oct 06 2022

web recognizing the pretension ways to get this ebook cape may june 2014 timetable is additionally useful you have remained in right site to start getting this info get the cape

**caribbean examinations council** - Aug 16 2023

web key to 2014 timetable cape subject paper no date session accounting unit 1 1 2 12 june 23 may am 1 hr 30 min am 2 hr 45 min 03 2 12 june am

timetable cape 2018 may june pdf compact disc - Aug 04 2022

web of 17 caribbean advanced proficiency examination timetable may june 2018 cape 2018 morning afternoon monday french units 1 and 2 paper 4 16

cape may june 2014 timetable copy uniport edu - Sep 05 2022

web aug 18 2023 cape may june 2014 timetable 1 10 downloaded from uniport edu ng on august 18 2023 by guest cape may june 2014 timetable when people should go to

timetable cape may june 2016 final pdf scribd - Dec 28 2021

web 26 may 09 may 01 june 17 may 03 june 09 may 03 june 01 june 16 may 01 june 06 june 02 may 06 june 10 june 11 may 10 june pm 2 hr am 3 hr pm 2 hr pm 3 hr

timetable cape mayjune2014final1feb2013 slideshare - May 01 2022

web caribbean examinations council caribbean advanced proficiency examination timetable may june 2014 cape 2014 thursday 17 april morning afternoon art de

**may 2014 calendar united states timeanddate com** - Oct 26 2021

web 29 30 31 phases of the moon 6 14 21 28 holidays and observances 5 cinco de mayo 11 mother s day 26 memorial day  
printer friendly calendar printing help page for

**caribbean examinations council** - Nov 26 2021

web key to 2014 timetable cape subject paper no date session accounting unit 1 1 2 12 june 23 may am 1 hr 30 min am 2 hr  
45 min 03 2 12 june am

timetable cape mayjune2014final1feb2013 pdf slideshare - Jun 02 2022

web sep 26 2013 9 subject paper no date session french unit 1 1 03 june am 1 hr 2 19 may pm 2 hr 10 min 3 orals 05 may  
21 28 april am 2 hr oral

*the 2014 kcpe examination timetable instructions* - Jan 09 2023

web 4 3 5 withdrawal from the examination should have been notified to the knec before 15th may 2014 4 4 caution to the  
candidates 4 4 1 you are not allowed to leave the

caribbean examinations council - May 13 2023

web 11 june 22 may am 1 hr 30 min am 2 hr 45 min 03 2 11 june am 1 hr 30 min accounting unit 2 1 09june pm 1 hr 30 min 2  
03 2 08 may 09 june am 2 hr

cape may june 2014 final timetable pdf scribd - Sep 17 2023

web cape may june 2014 final timetable free download as pdf file pdf text file txt or read online for free examination  
timetable for caribbean advanced proficiency

**geschichte der landwirtschaft traktoren planet wissen** - Jun 14 2023

web der traktor hat die landwirtschaft revolutioniert er löste die tierischen helfer ab denn er war nicht nur stärker und  
wendiger sondern auch kostengünstiger und pflegeleichter ein traktor kostet eben nur wenn er arbeitet in der zeit  
dazwischen ist er genügsam

*deutsche traktoren daten fakten geschichte by karl andresen* - May 01 2022

web jun 14 2023 deutsche traktoren daten fakten geschichte von karl andresen 9 99 eur in den warenkorb isbn ean  
9783961282685 alter 12 99 jahre format 21 5 x 27 cm seiten marken geschichte und modelle deutsche traktoren von 1915  
bis heute übersichtlich gegliedert nach dekaden jedes modellporträt mit brillantem farbfoto

**bilder zeitreise traktoren im wandel der zeit agrarheute com** - Jan 09 2023

web nov 11 2016 der traktor legte im letzten jahrhundert eine rasante entwicklung hin vom ersten dampfschlepper hin zum  
high tech traktor bilder chroniken bekannter hersteller

deutsche traktoren daten fakten geschichte uniport edu - Jan 29 2022

web aug 1 2023 in any way along with them is this deutsche traktoren daten fakten geschichte that can be your partner encyclopedia of computer science and technology jack belzer 1977 09 01 this comprehensive reference work provides immediate fingertip access to state of the art technology in nearly 700 self contained articles

**die wichtigsten zahlen und fakten über traktoren** - Feb 10 2023

web feb 13 2018 wir haben kosten kuriöse hintergründe und knallharte fakten über trecker schlepper und traktoren zusammengetragen thomas göggerle agrarheute am dienstag 13 02 2018 06 59 jetzt kommentieren

**100 jahre traktor landmaschinen und ihre geschichte** - May 13 2023

web dec 27 2021 dezember 2021 beschäftigt sich eine reportage im swr fernsehen ab 20 15 uhr mit dem traktor und seiner geschichte die ndr koproduktion 100 jahre trecker besucht hersteller sowie besitzer

deutsche traktoren daten fakten geschichte ciltli kapak - Apr 12 2023

web deutsche traktoren daten fakten geschichte andresen karl amazon com tr kitap

**deutsche traktoren daten fakten geschichte** - Mar 11 2023

web die deutsche digitale bibliothek erforschen aktuell 43 192 502 objekte standard suche standard erweiterte suche erweitert stöbern objekte personen organisationen suche nur digitalisierte objekte 15 326 149 objekte 1 274 253 personen 103 271 organisationen formulieren sie ihre suchanfrage genauer

*deutsche traktoren daten fakten geschichte by karl andresen* - Aug 04 2022

web geschichte fiatagri fiat traktoren fiat traktor traktor deutsche geschichte seit 1815 daten fakten dokumente deutsche traktoren von karl andresen 2014 gebundene deutsche traktoren gebundenes buch alpha für das leben deutsche traktoren von karl andresen portofrei bei bücher deutsche traktoren daten fakten geschichte de deutz

**wer hat den ersten traktor gebaut maschine com** - Oct 06 2022

web als urvater der modernen landmaschine gilt der deutschstämmige us amerikaner john frölich er entwickelte 1885 den ersten mit benzin angetriebenen traktor konnte seine erfindung aber nicht erfolgreich vermarkten die rechte gingen an deere company über aus denen der heutige marktführer john deere entstand

deutsche traktoren daten fakten geschichte von karl - Dec 08 2022

web deutsche traktoren daten fakten geschichte von karl andresen marken geschichte und modelle deutsche traktoren von 1915 bis heute übersichtlich gegliedert nach dekaden jedes modellporträt mit brillantem farbfoto infokästen mit technischen daten auf einen blick

**traktoren hersteller technische daten tractorbook de** - Sep 05 2022

web traktoren hersteller und ihre technischen daten traktoren und ihre technischen daten finden sie hier motor getriebe

**deutsche traktoren daten fakten geschichte amazon de** - Aug 16 2023

web Übersichtlich gegliedert nach dekaden gibt er einen umfassenden Überblick über marken geschichte und modelle aller bedeutenden deutschen hersteller illustriert wird die faszinierende zeitreise durch die geschichte der deutschen traktoren mit mehr als 300 prägnanten und detailreichen farbfotos ein muss für jeden traktor fan

*deutsche traktoren daten fakten geschichte pdf uniport edu* - Jun 02 2022

web aug 9 2023 deutsche traktoren daten fakten geschichte is available in our digital library an online access to it is set as public so you can download it instantly our book servers hosts in multiple locations allowing you to get the most less latency time to download

**deutsche traktoren daten fakten geschichte by karl andresen** - Jul 03 2022

web jun 21 2023 deutsche traktoren daten fakten geschichte by karl andresen spannende informationen zu daten und fakten über deutschland land leute tiere und pflanzen wirtschaft und geschichte die sinnsucherin gründung der bundesrepublik

**das handbuch traktor technik fakten geschichte kuriositäten** - Mar 31 2022

web may 10th 2020 deutsche traktoren daten fakten geschichte andresen karl isbn 9783961282685 kostenloser versand für alle bücher mit versand und verkauf duch alte traktoren gebraucht kaufen nur 3 st bis 60 günstiger

**traktor wikipedia** - Jul 15 2023

web ein traktor mehrzahl traktoren von lateinisch trahere ziehen bzw schleppen auch trecker ackerschlepper bulldog oder auch nur schlepper ist eine zugmaschine die in der landwirtschaft zum ziehen und zum antrieb landwirtschaftlicher maschinen benutzt wird

*deutsche traktoren daten fakten geschichte sam arabtravelers* - Feb 27 2022

web deutsche traktoren daten fakten geschichte belarus guinness world records 2020 vierteljahrschrift für sozial und wirtschaftsgeschichte zeitschrift für agrargeschichte und agrarsoziologie deutsche bibliographie repressed remitted rejected dlj mitteilungen the german empire 1871 1918 ford tractors n series fordson ford and ferguson

**deutsche traktoren daten fakten geschichte amazon de** - Dec 28 2021

web gegliedert nach dekaden gibt er einen umfassenden Überblick über marken geschichte und modelle der wichtigsten deutschen hersteller anschaulich werden die teilweise drastischen technischen fortschritte aufgezeigt denen diese zugmaschinen bis heute unterworfen sind

*entwicklungsgeschichte der traktoren in deutschland* - Nov 07 2022

web sep 6 2013 der aufschwung im deutschen traktormarkt erfolgte allerdings erst in den 1950er jahren nach kriegsende mussten sich viele betriebe neu ausrichten und investitionen tätigen es kam zu einer regelrechten boomphase als rekordjahr gilt 1955 in westdeutschland verzeichnete man damals nahezu 100 000 neuzulassungen

