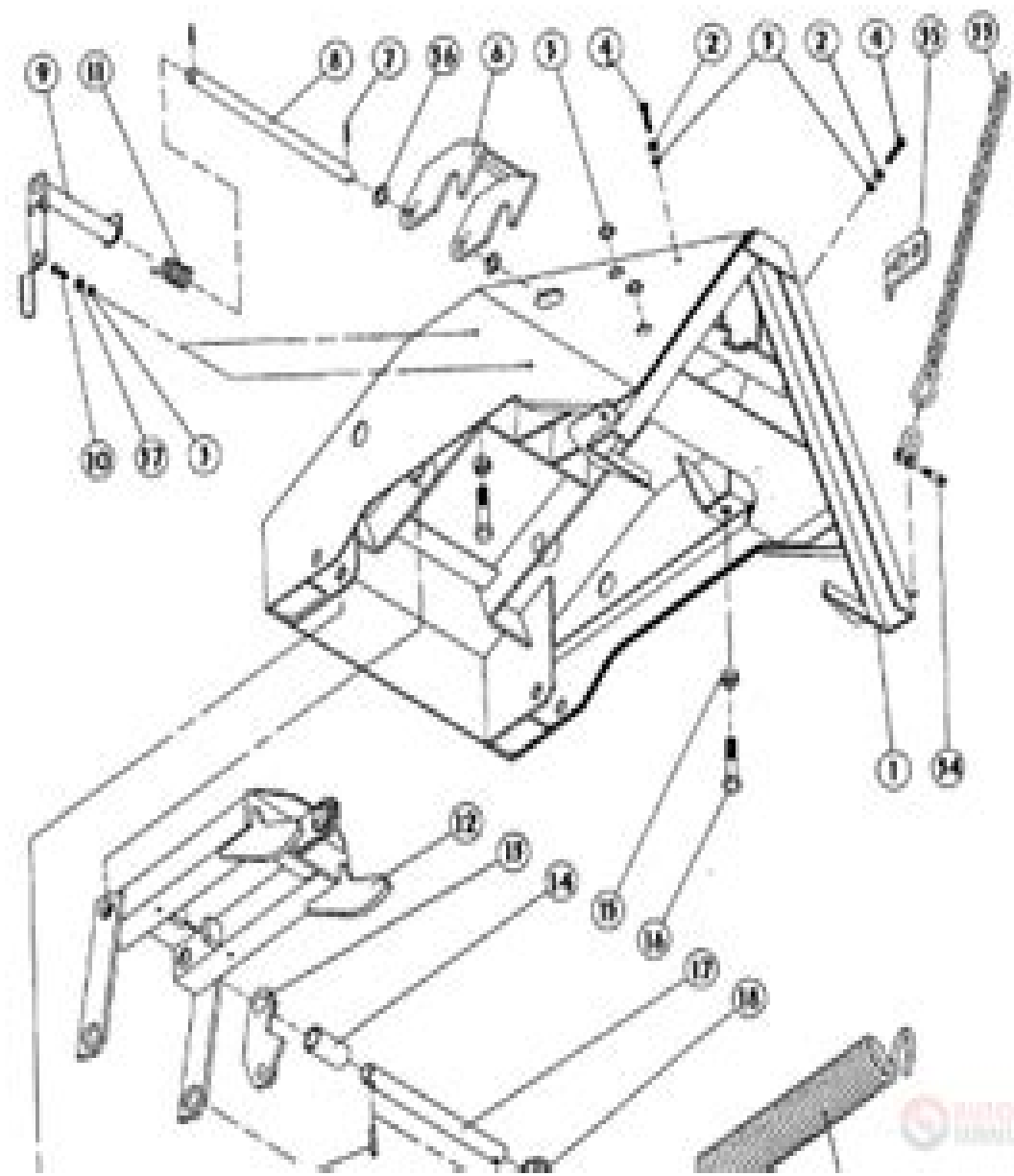


GMD 700 F
970001



Kuhn Mower Manual

E Durkheim



Kuhn Mower Manual:

Mergent International Manual ,2009 *Power Farming in Australia and New Zealand Technical Manual* ,1987
Legislative Manual of the State of Minnesota ,1899 *The Legislative Manual of the State of Minnesota* Minnesota.
Secretary of State,1901 Barker's trade and finance manual: Vol.2 G. Barker (and co.),1888 *From Millwrights to
Shipwrights to the Twenty-first Century* R. John Brockmann,1998 This text divides the history of American technical
communication into three themes the importance of visual communication 1791 1887 the power of genre 1791 1980 and the
role of technical communicators as innovators within constraints 1948 1954 Foot-ball Rules ... Authorized and Adopted by
the American Intercollegiate Association National Collegiate Athletic Association,1909 Early volumes consisted of rules with
a separate publication for text Later volumes consist of text and rules at first the official rules later the read easy rules Vols
for 1976 78 do not include rules *The Minnesota Legislative Manual* , **Language** George Melville Bolling, Bernard
Bloch,1962 Proceedings of the annual meeting of the Society in v 1 11 1925 34 After 1934 they appear in Its Bulletin
Manual and Courses of Study for Elementary Schools Pennsylvania. Department of Public Instruction,1925
Moody's Industrial Manual ,1961 Implement & Tractor Red Book ,1988 Moody's Manual of Investments,
American and Foreign; Banks, Insurance Companies, Investment Trusts, Real Estate, Finance and Credit Companies ,1951
Books and Pamphlets, Including Serials and Contributions to Periodicals Library of Congress. Copyright
Office,1968 Farmers and Consumers Market Bulletin ,2010 *Official Gazette of the United States Patent and
Trademark Office* ,2004 **Evaluation Report** ,1993 *New Hampshire Register, State Year-book and Legislative Manual*
,1944 *Collaborative Meaning in Medieval Scribal Culture* Elizabeth J. Bryan,1999 A new interpretive approach with wide
implications for the study of medieval literatures *Organic Gardening* ,1982-07

Unveiling the Power of Verbal Artistry: An Psychological Sojourn through **Kuhn Mower Manual**

In a global inundated with displays and the cacophony of immediate interaction, the profound energy and emotional resonance of verbal beauty frequently disappear into obscurity, eclipsed by the regular assault of sound and distractions. However, situated within the musical pages of **Kuhn Mower Manual**, a captivating work of fictional elegance that impulses with fresh feelings, lies an memorable journey waiting to be embarked upon. Written with a virtuoso wordsmith, this mesmerizing opus guides viewers on a mental odyssey, delicately exposing the latent possible and profound impact stuck within the elaborate web of language. Within the heart-wrenching expanse with this evocative examination, we can embark upon an introspective exploration of the book is main themes, dissect their captivating publishing model, and immerse ourselves in the indelible impression it leaves upon the depths of readers souls.

<http://www.armchairempire.com/results/browse/Documents/Husqvarna%20Huskystar%20E20%20Sewing%20Machine%20Manual.pdf>

Table of Contents Kuhn Mower Manual

1. Understanding the eBook Kuhn Mower Manual
 - The Rise of Digital Reading Kuhn Mower Manual
 - Advantages of eBooks Over Traditional Books
2. Identifying Kuhn Mower Manual
 - Exploring Different Genres
 - Considering Fiction vs. Non-Fiction
 - Determining Your Reading Goals
3. Choosing the Right eBook Platform
 - Popular eBook Platforms
 - Features to Look for in an Kuhn Mower Manual
 - User-Friendly Interface
4. Exploring eBook Recommendations from Kuhn Mower Manual

- Personalized Recommendations
 - Kuhn Mower Manual User Reviews and Ratings
 - Kuhn Mower Manual and Bestseller Lists
5. Accessing Kuhn Mower Manual Free and Paid eBooks
 - Kuhn Mower Manual Public Domain eBooks
 - Kuhn Mower Manual eBook Subscription Services
 - Kuhn Mower Manual Budget-Friendly Options
 6. Navigating Kuhn Mower Manual eBook Formats
 - ePub, PDF, MOBI, and More
 - Kuhn Mower Manual Compatibility with Devices
 - Kuhn Mower Manual Enhanced eBook Features
 7. Enhancing Your Reading Experience
 - Adjustable Fonts and Text Sizes of Kuhn Mower Manual
 - Highlighting and Note-Taking Kuhn Mower Manual
 - Interactive Elements Kuhn Mower Manual
 8. Staying Engaged with Kuhn Mower Manual
 - Joining Online Reading Communities
 - Participating in Virtual Book Clubs
 - Following Authors and Publishers Kuhn Mower Manual
 9. Balancing eBooks and Physical Books Kuhn Mower Manual
 - Benefits of a Digital Library
 - Creating a Diverse Reading Collection Kuhn Mower Manual
 10. Overcoming Reading Challenges
 - Dealing with Digital Eye Strain
 - Minimizing Distractions
 - Managing Screen Time
 11. Cultivating a Reading Routine Kuhn Mower Manual
 - Setting Reading Goals Kuhn Mower Manual
 - Carving Out Dedicated Reading Time
 12. Sourcing Reliable Information of Kuhn Mower Manual

- Fact-Checking eBook Content of Kuhn Mower Manual
 - Distinguishing Credible Sources
13. Promoting Lifelong Learning
- Utilizing eBooks for Skill Development
 - Exploring Educational eBooks
14. Embracing eBook Trends
- Integration of Multimedia Elements
 - Interactive and Gamified eBooks

Kuhn Mower Manual Introduction

Free PDF Books and Manuals for Download: Unlocking Knowledge at Your Fingertips In today's fast-paced digital age, obtaining valuable knowledge has become easier than ever. Thanks to the internet, a vast array of books and manuals are now available for free download in PDF format. Whether you are a student, professional, or simply an avid reader, this treasure trove of downloadable resources offers a wealth of information, conveniently accessible anytime, anywhere. The advent of online libraries and platforms dedicated to sharing knowledge has revolutionized the way we consume information. No longer confined to physical libraries or bookstores, readers can now access an extensive collection of digital books and manuals with just a few clicks. These resources, available in PDF, Microsoft Word, and PowerPoint formats, cater to a wide range of interests, including literature, technology, science, history, and much more. One notable platform where you can explore and download free Kuhn Mower Manual PDF books and manuals is the internet's largest free library. Hosted online, this catalog compiles a vast assortment of documents, making it a veritable goldmine of knowledge. With its easy-to-use website interface and customizable PDF generator, this platform offers a user-friendly experience, allowing individuals to effortlessly navigate and access the information they seek. The availability of free PDF books and manuals on this platform demonstrates its commitment to democratizing education and empowering individuals with the tools needed to succeed in their chosen fields. It allows anyone, regardless of their background or financial limitations, to expand their horizons and gain insights from experts in various disciplines. One of the most significant advantages of downloading PDF books and manuals lies in their portability. Unlike physical copies, digital books can be stored and carried on a single device, such as a tablet or smartphone, saving valuable space and weight. This convenience makes it possible for readers to have their entire library at their fingertips, whether they are commuting, traveling, or simply enjoying a lazy afternoon at home. Additionally, digital files are easily searchable, enabling readers to locate specific information within seconds. With a few keystrokes, users can search for keywords, topics, or phrases, making research and finding relevant information a breeze. This efficiency

saves time and effort, streamlining the learning process and allowing individuals to focus on extracting the information they need. Furthermore, the availability of free PDF books and manuals fosters a culture of continuous learning. By removing financial barriers, more people can access educational resources and pursue lifelong learning, contributing to personal growth and professional development. This democratization of knowledge promotes intellectual curiosity and empowers individuals to become lifelong learners, promoting progress and innovation in various fields. It is worth noting that while accessing free Kuhn Mower Manual PDF books and manuals is convenient and cost-effective, it is vital to respect copyright laws and intellectual property rights. Platforms offering free downloads often operate within legal boundaries, ensuring that the materials they provide are either in the public domain or authorized for distribution. By adhering to copyright laws, users can enjoy the benefits of free access to knowledge while supporting the authors and publishers who make these resources available. In conclusion, the availability of Kuhn Mower Manual free PDF books and manuals for download has revolutionized the way we access and consume knowledge. With just a few clicks, individuals can explore a vast collection of resources across different disciplines, all free of charge. This accessibility empowers individuals to become lifelong learners, contributing to personal growth, professional development, and the advancement of society as a whole. So why not unlock a world of knowledge today? Start exploring the vast sea of free PDF books and manuals waiting to be discovered right at your fingertips.

FAQs About Kuhn Mower Manual Books

How do I know which eBook platform is the best for me? Finding the best eBook platform depends on your reading preferences and device compatibility. Research different platforms, read user reviews, and explore their features before making a choice. Are free eBooks of good quality? Yes, many reputable platforms offer high-quality free eBooks, including classics and public domain works. However, make sure to verify the source to ensure the eBook credibility. Can I read eBooks without an eReader? Absolutely! Most eBook platforms offer webbased readers or mobile apps that allow you to read eBooks on your computer, tablet, or smartphone. How do I avoid digital eye strain while reading eBooks? To prevent digital eye strain, take regular breaks, adjust the font size and background color, and ensure proper lighting while reading eBooks. What the advantage of interactive eBooks? Interactive eBooks incorporate multimedia elements, quizzes, and activities, enhancing the reader engagement and providing a more immersive learning experience. Kuhn Mower Manual is one of the best book in our library for free trial. We provide copy of Kuhn Mower Manual in digital format, so the resources that you find are reliable. There are also many Ebooks of related with Kuhn Mower Manual. Where to download Kuhn Mower Manual online for free? Are you looking for Kuhn Mower Manual PDF? This is definitely going to save you time and cash in something

you should think about. If you trying to find then search around for online. Without a doubt there are numerous these available and many of them have the freedom. However without doubt you receive whatever you purchase. An alternate way to get ideas is always to check another Kuhn Mower Manual. This method for see exactly what may be included and adopt these ideas to your book. This site will almost certainly help you save time and effort, money and stress. If you are looking for free books then you really should consider finding to assist you try this. Several of Kuhn Mower Manual are for sale to free while some are payable. If you arent sure if the books you would like to download works with for usage along with your computer, it is possible to download free trials. The free guides make it easy for someone to free access online library for download books to your device. You can get free download on free trial for lots of books categories. Our library is the biggest of these that have literally hundreds of thousands of different products categories represented. You will also see that there are specific sites catered to different product types or categories, brands or niches related with Kuhn Mower Manual. So depending on what exactly you are searching, you will be able to choose e books to suit your own need. Need to access completely for Campbell Biology Seventh Edition book? Access Ebook without any digging. And by having access to our ebook online or by storing it on your computer, you have convenient answers with Kuhn Mower Manual To get started finding Kuhn Mower Manual, you are right to find our website which has a comprehensive collection of books online. Our library is the biggest of these that have literally hundreds of thousands of different products represented. You will also see that there are specific sites catered to different categories or niches related with Kuhn Mower Manual So depending on what exactly you are searching, you will be able to choose ebook to suit your own need. Thank you for reading Kuhn Mower Manual. Maybe you have knowledge that, people have search numerous times for their favorite readings like this Kuhn Mower Manual, but end up in harmful downloads. Rather than reading a good book with a cup of coffee in the afternoon, instead they juggled with some harmful bugs inside their laptop. Kuhn Mower Manual is available in our book collection an online access to it is set as public so you can download it instantly. Our digital library spans in multiple locations, allowing you to get the most less latency time to download any of our books like this one. Merely said, Kuhn Mower Manual is universally compatible with any devices to read.

Find Kuhn Mower Manual :

husqvarna huskystar e20 sewing machine manual

husqvarna smr450r service repair workshop manual 2006

[hydraulics basic manual rexroth](#)

husqvarna viking rose sewing machine manuals

hypermesh user guide

hypnose wie sie wirkt hilft

hydrovane 87 manual

husqvarna tc 250 450 510 digital workshop repair manual 2007

hydrocarbons answers study guide answer key

husqvarna viking quilt designer 1 manual

husqvarna te 610e 1998 factory service repair manual

hvac licensing exam study guide

hyosung gt125 gt250 comet workshop repair manual all 2002 onwards models covered

huskylock 901 manual

husqvarna 135r manual

Kuhn Mower Manual :

visual c 2012 das umfassende handbuch spracheinfu - Aug 18 2023

web c 2012 das umfassende handbuch spracheinfu and numerous ebook collections from fictions to scientific research in any way in the middle of them is this visual c 2012 das umfassende handbuch spracheinfu that can be your partner

visual c 2012 das umfassende handbuch spracheinführung - Sep 19 2023

web visual c 2012 das umfassende handbuch spracheinführung objektorientierung programmiertechniken galileo computing by andreas kühnel bücher aus dem verlag dessen isbn mit 978 3 8362 beginnen visual c 2012 das umfassende handbuch spracheinführung

visual c 2012 das umfassende handbuch spracheinfu - Apr 02 2022

web das buch gibt eine einführung in die methodologischen und statistischen grundlagen von strukturgleichungsmodellen und in deren handhabung für sozialwissenschaftliche

visual studio 2012 download computerbase - Jul 05 2022

web aug 26 2015 visual studio 2012 download archiviert 4 9 sterne 17 bewertungen freeware die release version visual studio 2012 bietet eine integrierte umgebung für architektur code

microsoft visual c 2012 redistributable package download wintotal de - Jun 04 2022

web version update 4 jetzt herunterladen microsoft visual c 2012 redistributable package umfasst laufzeitkomponenten die zum ausführen von c anwendungen erforderlich sind welche mit visual studio 2012 entwickelt wurden belegt wenig festplattenspeicher untereinander nicht abwärtskompatibel

visual c 2012 das umfassende handbuch spracheinfu pdf - Nov 09 2022

web 4 visual c 2012 das umfassende handbuch spracheinfu 2020 09 15 dar der inhalt i theoretische und praktische grundlagen ii imaginative verfahren im therapeutischen problemlöseprozess iii störungsspezifische anwendung imaginativer verfahren das autorenteam dr thomas kirn und dipl psych liz echelmeyer arbeiten als

visual c 2012 das umfassende handbuch spracheinfu book - Feb 12 2023

web visual c 2012 das umfassende handbuch spracheinfu book visual c 2012 das umfassende handbuch spracheinfu 3 3 verlagsanstalt in one volume this authoritative reference presents a current comprehensive overview of intellectual and cognitive assessment with a focus on practical applications leaders in the field describe major

visual c 2012 das umfassende handbuch spracheinfu pdf - Oct 08 2022

web subsequently some harmful virus inside their computer visual c 2012 das umfassende handbuch spracheinfu pdf is approachable in our digital library an online right of entry to it is set as public fittingly you can download it instantly our digital library saves in complex countries allowing you to acquire the most less latency times to

visual c 2012 das umfassende handbuch spracheinfu pdf - Jul 17 2023

web apr 21 2023 this visual c 2012 das umfassende handbuch spracheinfu pdf as one of the most functional sellers here will unquestionably be in the middle of the best options to review title visual c 2012 das umfassende handbuch spracheinfu pdf

visual c 2012 das umfassende handbuch spracheinfu - Dec 10 2022

web visual c 2012 das umfassende handbuch spracheinfu downloaded from api 2 crabplace com by guest sanchez mata die haftung von host providern für immaterialgüterrechtsverletzungen cambridge university press in one volume this authoritative reference presents a current comprehensive overview of intellectual and

visual c 2012 kochbuch 500 sofort einsatzbereite amazon de - Mar 01 2022

web visual c 2012 kochbuch 500 sofort einsatzbereite lösungen sprache techniken oop gui und webprogrammierung visual basic 2012 und das kochbuch 2012 dazu sowie visual c 2012 und das kochbuch 2012 dazu sind aufeinander abgestimmt und sehr gut lesbar wer sich diese paket zulegt handbuch plus kochbuch hat eine tolle

visual c 2012 das umfassende handbuch spracheinfu 2022 - Jan 31 2022

web visual c 2012 das umfassende handbuch spracheinfu downloaded from secure mowtampa org by guest cason briggs die haftung von host providern für immaterialgüterrechtsverletzungen bod books on demand

visual c 2012 das umfassende handbuch spracheinführung - May 15 2023

web handbuch visual c 2012 kostenlos als openbook visual basic fachbücher versandkostenfrei kaufen bücher de visual c 2012 grundlagen und profiwissen hanser fachbuch ibm server for estation and os 2 visual c 2012 das umfassende handbuch download visual c 2010 das umfassende handbuch galileo puting visual c 2010 das

visual c 2012 das umfassende handbuch spracheinfu book - Jan 11 2023

web visual c 2012 das umfassende handbuch spracheinfu as one of the most on the go sellers here will unquestionably be in the course of the best options to review

visual c 2012 das umfassende handbuch spracheinfu pdf book - Sep 07 2022

web visual c 2012 das umfassende handbuch spracheinfu pdf right here we have countless ebook visual c 2012 das umfassende handbuch spracheinfu pdf and collections to check out we additionally find the money for variant types and in addition to type of the books to browse

visual c 2012 das umfassende handbuch spracheinfu pdf pdf - May 03 2022

web you may not be perplexed to enjoy every books collections visual c 2012 das umfassende handbuch spracheinfu pdf that we will enormously offer it is not just about the costs its not quite what you habit currently this visual c 2012 das umfassende handbuch spracheinfu pdf as one of the most involved sellers here will totally be

visual c 2012 das umfassende handbuch spracheinfu - Jun 16 2023

web nachschlagewerk völlig neuen typs das lexikon der vergangenheitsbewältigung präsentiert erstmals die politischen und künstlerischen juristischen und gesellschaftlichen wissenschaftlichen und

visual c 2012 das umfassende handbuch spracheinfu pdf - Aug 06 2022

web you may not be perplexed to enjoy all book collections visual c 2012 das umfassende handbuch spracheinfu pdf that we will no question offer it is not roughly the costs its about what you need currently this visual c 2012 das umfassende handbuch spracheinfu pdf as one of the most involved sellers here

visual c 2012 das umfassende handbuch spracheinfu pdf full - Apr 14 2023

web computer visual c 2012 das umfassende handbuch spracheinfu pdf is easy to get to in our digital library an online entry to it is set as public hence you can download it instantly our digital library saves in compound countries allowing you to acquire the most less latency time to download any of our books later this one

visual c 2012 das umfassende handbuch spracheinführung - Mar 13 2023

web visual c 2012 das umfassende handbuch spracheinführung objektorientierung programmiertechniken galileo computing kühnel andreas isbn 9783836219976 kostenloser versand für alle bücher mit versand und verkauf duch amazon

the brotherhood of the holy shroud julia navarro google books - May 13 2023

web the brotherhood of the holy shroud is the explosive international bestseller that mixes fact and fiction to tell the riveting story of one of the world s most controversial relics the turin shroud believed by millions of the faithful to bear the likeness of christ and the desperate race to save it from those who will stop at nothing to

the brotherhood of the holy shroud a novel englis tim - Mar 31 2022

web the brotherhood of the holy shroud a novel englis this is likewise one of the factors by obtaining the soft documents of

this the brotherhood of the holy shroud a novel english by online you might not require more period to spend to go to the book start as well as search for them in some cases you likewise realize not discover the message the

the brotherhood of the holy shroud a novel english edition - Jun 02 2022

web achetez et téléchargez ebook the brotherhood of the holy shroud a novel english edition boutique kindle historical amazon fr

the brotherhood of the holy shroud a novel google books - Jun 14 2023

web the brotherhood of the holy shroud is the explosive international bestseller that mixes fact and fiction to tell the riveting story of one of the world s most controversial relics the holy

the brotherhood of the holy shroud on apple books - Nov 07 2022

web the brotherhood of the holy shroud is the explosive international bestseller that mixes fact and fiction to tell the riveting story of one of the world s most controversial relics the holy shroud of turin and the desperate race to save it from those who will stop at nothing to possess its legendary power

the brotherhood of the holy shroud a novel english edition - Oct 06 2022

web compre the brotherhood of the holy shroud a novel english edition de navarro julia hurley andrew na amazon com br confira também os ebooks mais vendidos lançamentos e livros digitais exclusivos

the brotherhood of the holy shroud by julia navarro goodreads - Feb 27 2022

web jan 1 2004 the brotherhood of the holy shroud by julia navarro is a novel woven around the history of the shroud of turin the protagonist is marco valoni chief of the italian art crimes department the author is a spanish journalist and this is her first novel

the brotherhood of the holy shroud a novel kindle edition - Sep 05 2022

web the brotherhood of the holy shroud a novel ebook navarro julia hurley andrew amazon com au books

the brotherhood of the holy shroud a novel amazon com - Aug 16 2023

web sep 25 2007 the brotherhood of the holy shroud is the explosive international bestseller that mixes fact and fiction to tell the riveting story of one of the world s most controversial relics the holy shroud of turin and the desperate race to save it from those who will stop at nothing to possess its legendary power

the brotherhood of the holy shroud amazon com - Feb 10 2023

web dec 26 2006 the brotherhood of the holy shroud is the explosive international bestseller that mixes fact and fiction to tell the riveting story of one of the world s most controversial relics the holy shroud of turin and the desperate race to save it from those who will stop at nothing to possess its legendary power

the brotherhood of the holy shroud mass market paperback - Mar 11 2023

web sep 25 2007 the brotherhood of the holy shroud is the explosive international bestseller that mixes fact and fiction to tell the riveting story of one of the world s most controversial relics the holy shroud of turin and the desperate race to save it from those who will stop at nothing to possess its legendary power

the brotherhood of the holy shroud a novel google play - Jan 09 2023

web the brotherhood of the holy shroud a novel ebook written by julia navarro read this book using google play books app on your pc android ios devices download for offline reading

the brotherhood of the holy shroud a novel amazon singapore - Dec 28 2021

web hello sign in account lists returns orders cart

the brotherhood of the holy shroud penguin random house - Jul 15 2023

web the brotherhood of the holy shroud is the explosive international bestseller that mixes fact and fiction to tell the riveting story of one of the world s most controversial relics the holy shroud of turin and the desperate race to save it from those who will stop at nothing to possess its legendary power

the brotherhood of the holy shroud a novel english edition - May 01 2022

web lee ahora en digital con la aplicación gratuita kindle

the brotherhood of the holy shroud a novel english edition - Jul 03 2022

web the brotherhood of the holy shroud a novel english edition ebook navarro julia hurley andrew amazon com mx tienda kindle

the brotherhood of the holy shroud a novel by julia navarro - Dec 08 2022

web want to read

the brotherhood of the holy shroud a novel kindle edition - Apr 12 2023

web the brotherhood of the holy shroud is the explosive international bestseller that mixes fact and fiction to tell the riveting story of one of the world s most controversial relics the holy shroud of turin and the desperate race to save it from those who will stop at nothing to possess its legendary power

the brotherhood of the holy shroud a novel english edition - Aug 04 2022

web the brotherhood of the holy shroud a novel english edition ebook navarro julia hurley andrew amazon de kindle shop

the brotherhood of the holy shroud a novel amazon com - Jan 29 2022

web dec 26 2006 the brotherhood of the holy shroud is the explosive international bestseller that mixes fact and fiction to tell the riveting story of one of the world s most controversial relics the holy shroud of turin and the desperate race to save it from those who will stop at nothing to possess its legendary power

spells help with the pathfinder scorespell excel tool role - Jun 13 2023

web wizard spells this is a list of all spells organized by level and school selecting spells on this tab will place spells in your wizard s spell book not the spell book tab which is different selecting spells on this tab will add rows to the spell sheets tab and will allow you to prepare spells on the prepared spells tab

pathfinder utility sheets pf2easy com - Mar 10 2023

web pathfinder utility sheets traditions arcane divine occult primal schools abjuration conjuration divination enchantment evocation illusion necromancy transmutation actions reaction 1 action 2 actions 3 actions 1 minute 5 minutes 10 minutes 1 hour traits acid air arcane attack auditory aura bard cantrip chaotic cold composition concentrate

wizard d20pfsrd - Jan 08 2023

web adding spells to a wizard s spellbook wizards can add new spells to their spellbooks through several methods a wizard can only learn new spells that belong to the wizard spell lists see magic spells gained at a new level wizards perform a certain amount of spell research between adventures each time a character attains a new wizard

spell lists pathfinder roleplaying game - Feb 09 2023

web flare dazzles one creature 1 on attack rolls ghost sound figment sounds know direction you discern north light object shines like a torch lullaby makes subject drowsy 5 on perception checks 2 on will saves against sleep mage hand 5 pound telekinesis mending makes minor repairs on an object

wizard spell card set r n w pathfinder spell card - Feb 26 2022

web here set contains all of the wizard spells listed in the srd from cantrips up to level 9 each comedian including all of the information them need to cast the spell with additional spell sheets for ones with long descriptions organized by level with handily card dividers and including blank sprichwort memory in add more spells with home

r pathfinder rpg on reddit there are 3 491 spells in pathfinder - Nov 06 2022

web mar 8 2021 there are 3 491 spells in pathfinder and now you can filter all of them hello gamers while working on the next update of my character sheet i had to construct a comprehensive list of every spell and psionic power that could be filtered and here it is

sorcerer wizard spell list filter d20pfsrd - Jul 14 2023

web sorcerer wizard spiritualist summoner unchained summoner witch tools spell list filters alchemist formula list filter antipaladin spell list filter bard spell list filter cleric oracle spell list filter druid spell list filter inquisitor spell list filter magus spell list filter paladin spell list filter ranger spell list

pathfinder 1e how does the wizard spellbook work role - Jun 01 2022

web jan 10 2014 sorted by 11 your spellbook starts with all 0 level spells unless some are restricted by your school and 3 1 per point of intelligence modifier 1st level spells as chosen by yourself

preconstructed spellbooks d20pfsrd - Oct 05 2022

web spells 1st burning hands detect undead expeditious retreat magic missile protection from evil s ray of enfeeblement shield s apprentice chapbook of rul thaven level 2 diviner this slim book is carefully but amateurishly bound with leather stretched tight across thin boards

paizo com forums advice pathfinder spell sheet - Jan 28 2022

web apr 17 2018 i ve seen a few different spell sheets and noticed that they do have higher numbers but they lack sufficient area for spell details this spell sheet is suppose to be a counterpart to those sheets by attempting to provide more

wizard spellbook sheet pdf d20 system role playing - Mar 30 2022

web of 1 spells prepared cast wizard spellbook character name caster level specialist school opposition school opposition school school power school power school power misc modifiers bonded object familiar bonded object s spell cast

pathfinder 1e free pathfinder spell lists updated with apg classes - Apr 30 2022

web jul 2 2011 now with additional spell sheets for the alchemist oracle summoner witch and inquisitor expanded all apg cleric druid paladin ranger spells and more spell slots for other classes plus more room for often used class features it also features the magus and the antipaladin spell lists

pathfinder 1e how to track character resources spells ammo - Sep 04 2022

web i am playing a wizard in a pathfinder game and despite several different reworks of his character sheet i ve still not found a decent way to track his daily spells which can change daily plus how many used when some can be reused pearl of power resting etc and one many shot daily items hand of the apprentice

downloads d20pfsrd - Dec 07 2022

web this bundle includes every product ever released by d20pfsrd com publishing in systems including pathfinder 1e pathfinder 2e starfinder 1e dungeons dragons 5e white star swords wizardry and more as well as both player option books and adventures or just tips on running certain kinds of campaigns such as ultimate evil guidelines on

spellbinder wizard elf d20pfsrd - Jul 02 2022

web a spellbinder is an elven wizard who forges an arcane bond between himself and one or more wizard spells these spells become so well understood by the spellbinder that he can prepare them in spell slots that already have other spells prepared in them

pathfinder spell lists google drive - Dec 27 2021

web aug 25 2013 pathfinder break spellist cleric pdf owner hidden aug 25 2013

sorcerer wizard d20pfsrd - Aug 15 2023

web spells filter sorcerer wizard spell list filter an f or m appearing in the comp column denotes a focus or material

component not normally included in a spell component pouch order of presentation the spells or formulae are listed in alphabetical order by name except when a spell's name begins with lesser greater

[magic d20pfsrd](#) - Aug 03 2022

web a spell is a one time magical effect spells come in two types arcane cast by bards sorcerers and wizards and divine cast by clerics druids and experienced paladins and rangers some spellcasters select their spells from a limited list of spells known while others have access to a wide variety of options

[pathfinder the wizard handbook rpgbot](#) - Apr 11 2023

web mar 21 2022 staffs are a reliable rechargeable source of extra spellcasting that can give spellcasters easy and reliable access to spells from their spell list which they might not want to learn or which they might like to use so frequently that they can't prepare the spell enough times in a given day

[the complete professor q wizard guide zenith games copy google sheets](#) - May 12 2023

web every level the wizard gets two new spells for free and every other level he gets an entirely new spell level to play with the high variety of choices you have with the wizard is fun and novel there are other casters of course that get a similar every level benefit but the wizard also has the flexibility of daily memorization