

Fig. MC8-4—Exploded view of manual and automatic oil pumps.

- A. Adjusting screw
- 1. Cap
- 2. Manual pump plunger
- 3. "O" ring
- 4. Spring
- 5. Pump body
- 6. Check valve
- 7. Sleeve
- 8. Spring
- 9. Automatic pump piston
- 10. Pump diaphragm
- 11. Cover
- 12. Gasket
- 13. Crankcase
- 14. Pinion
- 15. Oil line
- 16. Oil pickup
- 17. Oil tank

heat bearing then press bearing on crankshaft with soap ring nearer crank pin and bottom bearing against crankshaft shoulder. Be sure bearing snap ring engages groove in crankcase and

cylinder during assembly. Apply a suitable sealant to mating surfaces of crankcase and cylinder. Tighten crankcase screws to 70-75 in.-lbs.

**CLUTCH.** Refer to Fig. MC8-2 for an exploded view of clutch. Clutch retaining nut (9) has left-hand threads. Clutch shoes, springs and retainers are available only as pairs.

**DECOMPRESSION VALVE.** Model PM650 is equipped with a decompression valve to aid engine starting. Two

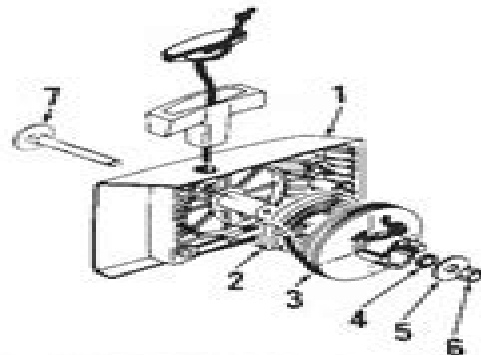


Fig. MC8-5—Exploded view of rewind starter. A screw is used in place of bolt (7) and nut (8) on some models. See text.

- 1. Starter housing
- 2. Rewind spring
- 3. Rope pulley
- 4. Spring
- 5. Washer
- 6. Nut
- 7. Bolt

different valves have been used which are identified by nut length on the valve. Each valve must be installed with the proper thickness washer for correct fit in cylinder. Note that thin washer (T—Fig. MC8-3) must be installed on valve with long nut (L) while thick washer (W) must be used with valve having short nut (S).

**OIL PUMP.** All models are equipped with the oil pump shown in Fig. MC8-4. The automatic oil pump is operated by crankcase pulsations directed against diaphragm (10) which moves piston (9). The manual oil pump is operated by forcing push rod against pump plunger (2).

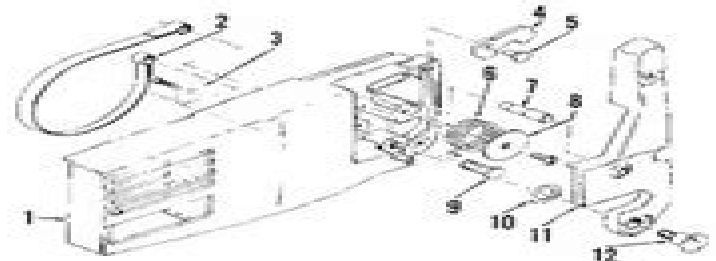
**REWIND STARTER.** Rewind starter components are contained in starter housing on left side of saw. Detach rope handle, allow rope to wind into housing, unscrew retaining nut (2—Fig. MC8-5) or screw and disassemble starter. Use caution when removing rewind spring to prevent injury due to uncontrolled uncoiling of spring.

Note that some starters use a bolt and nut (6) to retain rope pulley while other starters are equipped with a screw which threads into starter post. Difference must be noted when ordering parts.

Wrap spring in housing in a clockwise direction from outer end. Wrap rope on pulley in a clockwise direction viewed from flywheel side of pulley. Tighten rope pulley retaining screw, if so equipped, to 25-30 in.-lbs. Tighten nut (6) to 35 in.-lbs.

Fig. MC8-6—Exploded view of chain hooks.

- 1. Side cover
- 2. Hook band
- 3. Chain stop
- 4. Latch
- 5. Pinion pin
- 6. Pinion
- 7. Pin
- 8. Washer
- 9. Hook band pin
- 10. Special washer
- 11. Drive lever
- 12. Pinion bolt



# Mcculloch 610 650 Service Repair Guide

**Jicheng Xie**



## **Mcculloch 610 650 Service Repair Guide:**

**Popular Mechanics** ,1983-07 Popular Mechanics inspires instructs and influences readers to help them master the modern world Whether it s practical DIY home improvement tips gadgets and digital technology information on the newest cars or the latest breakthroughs in science PM is the ultimate guide to our high tech lifestyle **Popular Science** ,1994-11 Popular Science gives our readers the information and tools to improve their technology and their world The core belief that Popular Science and our readers share The future is going to be better and science and technology are the driving forces that will help make it better **Wallaces Farmer** ,1984 The Official Guide of the Railways and Steam Navigation Lines of the United States, Puerto Rico, Canada, Mexico and Cuba William Frederick Allen,Edwin Stevens Allen,Andrew J. Burns,1908 **The Official Railway Guide** ,1908 **Timber Harvesting** ,1977 **Popular Mechanics** ,1983-05 Popular Mechanics inspires instructs and influences readers to help them master the modern world Whether it s practical DIY home improvement tips gadgets and digital technology information on the newest cars or the latest breakthroughs in science PM is the ultimate guide to our high tech lifestyle *Popular Mechanics* ,1981-03 Popular Mechanics inspires instructs and influences readers to help them master the modern world Whether it s practical DIY home improvement tips gadgets and digital technology information on the newest cars or the latest breakthroughs in science PM is the ultimate guide to our high tech lifestyle **Popular Mechanics** ,1977-08 Popular Mechanics inspires instructs and influences readers to help them master the modern world Whether it s practical DIY home improvement tips gadgets and digital technology information on the newest cars or the latest breakthroughs in science PM is the ultimate guide to our high tech lifestyle **Popular Mechanics** ,1983-04 Popular Mechanics inspires instructs and influences readers to help them master the modern world Whether it s practical DIY home improvement tips gadgets and digital technology information on the newest cars or the latest breakthroughs in science PM is the ultimate guide to our high tech lifestyle **Popular Mechanics** ,1988-06 Popular Mechanics inspires instructs and influences readers to help them master the modern world Whether it s practical DIY home improvement tips gadgets and digital technology information on the newest cars or the latest breakthroughs in science PM is the ultimate guide to our high tech lifestyle Popular Mechanics ,1983-03 Popular Mechanics inspires instructs and influences readers to help them master the modern world Whether it s practical DIY home improvement tips gadgets and digital technology information on the newest cars or the latest breakthroughs in science PM is the ultimate guide to our high tech lifestyle **Electric Traction** ,1913 **The Electrical Review** ,1913 **Popular Mechanics** ,1977-10 Popular Mechanics inspires instructs and influences readers to help them master the modern world Whether it s practical DIY home improvement tips gadgets and digital technology information on the newest cars or the latest breakthroughs in science PM is the ultimate guide to our high tech lifestyle **Popular Mechanics** ,1980-11 Popular Mechanics inspires instructs and influences readers to help them master the modern world Whether it s practical DIY home improvement tips gadgets and

digital technology information on the newest cars or the latest breakthroughs in science PM is the ultimate guide to our high tech lifestyle **Popular Mechanics** ,1981-01 Popular Mechanics inspires instructs and influences readers to help them master the modern world Whether it s practical DIY home improvement tips gadgets and digital technology information on the newest cars or the latest breakthroughs in science PM is the ultimate guide to our high tech lifestyle **Popular Mechanics** ,1979-01 Popular Mechanics inspires instructs and influences readers to help them master the modern world Whether it s practical DIY home improvement tips gadgets and digital technology information on the newest cars or the latest breakthroughs in science PM is the ultimate guide to our high tech lifestyle *Popular Mechanics* ,1981-05 Popular Mechanics inspires instructs and influences readers to help them master the modern world Whether it s practical DIY home improvement tips gadgets and digital technology information on the newest cars or the latest breakthroughs in science PM is the ultimate guide to our high tech lifestyle *Popular Mechanics* ,1981-04 Popular Mechanics inspires instructs and influences readers to help them master the modern world Whether it s practical DIY home improvement tips gadgets and digital technology information on the newest cars or the latest breakthroughs in science PM is the ultimate guide to our high tech lifestyle

Fuel your quest for knowledge with is thought-provoking masterpiece, Dive into the World of **Mcculloch 610 650 Service Repair Guide** . This educational ebook, conveniently sized in PDF ( PDF Size: \*), is a gateway to personal growth and intellectual stimulation. Immerse yourself in the enriching content curated to cater to every eager mind. Download now and embark on a learning journey that promises to expand your horizons. .

[http://www.armchairempire.com/public/book-search/fetch.php/Mcgraw\\_Hill\\_Connect\\_Music\\_Answers.pdf](http://www.armchairempire.com/public/book-search/fetch.php/Mcgraw_Hill_Connect_Music_Answers.pdf)

## **Table of Contents Mcculloch 610 650 Service Repair Guide**

1. Understanding the eBook Mcculloch 610 650 Service Repair Guide
  - The Rise of Digital Reading Mcculloch 610 650 Service Repair Guide
  - Advantages of eBooks Over Traditional Books
2. Identifying Mcculloch 610 650 Service Repair Guide
  - Exploring Different Genres
  - Considering Fiction vs. Non-Fiction
  - Determining Your Reading Goals
3. Choosing the Right eBook Platform
  - Popular eBook Platforms
  - Features to Look for in an Mcculloch 610 650 Service Repair Guide
  - User-Friendly Interface
4. Exploring eBook Recommendations from Mcculloch 610 650 Service Repair Guide
  - Personalized Recommendations
  - Mcculloch 610 650 Service Repair Guide User Reviews and Ratings
  - Mcculloch 610 650 Service Repair Guide and Bestseller Lists
5. Accessing Mcculloch 610 650 Service Repair Guide Free and Paid eBooks
  - Mcculloch 610 650 Service Repair Guide Public Domain eBooks
  - Mcculloch 610 650 Service Repair Guide eBook Subscription Services
  - Mcculloch 610 650 Service Repair Guide Budget-Friendly Options

6. Navigating Mcculloch 610 650 Service Repair Guide eBook Formats
  - ePub, PDF, MOBI, and More
  - Mcculloch 610 650 Service Repair Guide Compatibility with Devices
  - Mcculloch 610 650 Service Repair Guide Enhanced eBook Features
7. Enhancing Your Reading Experience
  - Adjustable Fonts and Text Sizes of Mcculloch 610 650 Service Repair Guide
  - Highlighting and Note-Taking Mcculloch 610 650 Service Repair Guide
  - Interactive Elements Mcculloch 610 650 Service Repair Guide
8. Staying Engaged with Mcculloch 610 650 Service Repair Guide
  - Joining Online Reading Communities
  - Participating in Virtual Book Clubs
  - Following Authors and Publishers Mcculloch 610 650 Service Repair Guide
9. Balancing eBooks and Physical Books Mcculloch 610 650 Service Repair Guide
  - Benefits of a Digital Library
  - Creating a Diverse Reading Collection Mcculloch 610 650 Service Repair Guide
10. Overcoming Reading Challenges
  - Dealing with Digital Eye Strain
  - Minimizing Distractions
  - Managing Screen Time
11. Cultivating a Reading Routine Mcculloch 610 650 Service Repair Guide
  - Setting Reading Goals Mcculloch 610 650 Service Repair Guide
  - Carving Out Dedicated Reading Time
12. Sourcing Reliable Information of Mcculloch 610 650 Service Repair Guide
  - Fact-Checking eBook Content of Mcculloch 610 650 Service Repair Guide
  - Distinguishing Credible Sources
13. Promoting Lifelong Learning
  - Utilizing eBooks for Skill Development
  - Exploring Educational eBooks
14. Embracing eBook Trends
  - Integration of Multimedia Elements

- 
- Interactive and Gamified eBooks

## **Mcculloch 610 650 Service Repair Guide Introduction**

In today's digital age, the availability of Mcculloch 610 650 Service Repair Guide books and manuals for download has revolutionized the way we access information. Gone are the days of physically flipping through pages and carrying heavy textbooks or manuals. With just a few clicks, we can now access a wealth of knowledge from the comfort of our own homes or on the go. This article will explore the advantages of Mcculloch 610 650 Service Repair Guide books and manuals for download, along with some popular platforms that offer these resources. One of the significant advantages of Mcculloch 610 650 Service Repair Guide books and manuals for download is the cost-saving aspect. Traditional books and manuals can be costly, especially if you need to purchase several of them for educational or professional purposes. By accessing Mcculloch 610 650 Service Repair Guide versions, you eliminate the need to spend money on physical copies. This not only saves you money but also reduces the environmental impact associated with book production and transportation. Furthermore, Mcculloch 610 650 Service Repair Guide books and manuals for download are incredibly convenient. With just a computer or smartphone and an internet connection, you can access a vast library of resources on any subject imaginable. Whether you're a student looking for textbooks, a professional seeking industry-specific manuals, or someone interested in self-improvement, these digital resources provide an efficient and accessible means of acquiring knowledge. Moreover, PDF books and manuals offer a range of benefits compared to other digital formats. PDF files are designed to retain their formatting regardless of the device used to open them. This ensures that the content appears exactly as intended by the author, with no loss of formatting or missing graphics. Additionally, PDF files can be easily annotated, bookmarked, and searched for specific terms, making them highly practical for studying or referencing. When it comes to accessing Mcculloch 610 650 Service Repair Guide books and manuals, several platforms offer an extensive collection of resources. One such platform is Project Gutenberg, a nonprofit organization that provides over 60,000 free eBooks. These books are primarily in the public domain, meaning they can be freely distributed and downloaded. Project Gutenberg offers a wide range of classic literature, making it an excellent resource for literature enthusiasts. Another popular platform for Mcculloch 610 650 Service Repair Guide books and manuals is Open Library. Open Library is an initiative of the Internet Archive, a non-profit organization dedicated to digitizing cultural artifacts and making them accessible to the public. Open Library hosts millions of books, including both public domain works and contemporary titles. It also allows users to borrow digital copies of certain books for a limited period, similar to a library lending system. Additionally, many universities and educational institutions have their own digital libraries that provide free access to PDF books and manuals. These libraries often offer academic texts, research papers, and technical manuals, making them invaluable resources for students and researchers. Some notable examples include MIT OpenCourseWare,

which offers free access to course materials from the Massachusetts Institute of Technology, and the Digital Public Library of America, which provides a vast collection of digitized books and historical documents. In conclusion, Mcculloch 610 650 Service Repair Guide books and manuals for download have transformed the way we access information. They provide a cost-effective and convenient means of acquiring knowledge, offering the ability to access a vast library of resources at our fingertips. With platforms like Project Gutenberg, Open Library, and various digital libraries offered by educational institutions, we have access to an ever-expanding collection of books and manuals. Whether for educational, professional, or personal purposes, these digital resources serve as valuable tools for continuous learning and self-improvement. So why not take advantage of the vast world of Mcculloch 610 650 Service Repair Guide books and manuals for download and embark on your journey of knowledge?

### **FAQs About Mcculloch 610 650 Service Repair Guide Books**

How do I know which eBook platform is the best for me? Finding the best eBook platform depends on your reading preferences and device compatibility. Research different platforms, read user reviews, and explore their features before making a choice. Are free eBooks of good quality? Yes, many reputable platforms offer high-quality free eBooks, including classics and public domain works. However, make sure to verify the source to ensure the eBook credibility. Can I read eBooks without an eReader? Absolutely! Most eBook platforms offer webbased readers or mobile apps that allow you to read eBooks on your computer, tablet, or smartphone. How do I avoid digital eye strain while reading eBooks? To prevent digital eye strain, take regular breaks, adjust the font size and background color, and ensure proper lighting while reading eBooks. What the advantage of interactive eBooks? Interactive eBooks incorporate multimedia elements, quizzes, and activities, enhancing the reader engagement and providing a more immersive learning experience. Mcculloch 610 650 Service Repair Guide is one of the best book in our library for free trial. We provide copy of Mcculloch 610 650 Service Repair Guide in digital format, so the resources that you find are reliable. There are also many Ebooks of related with Mcculloch 610 650 Service Repair Guide. Where to download Mcculloch 610 650 Service Repair Guide online for free? Are you looking for Mcculloch 610 650 Service Repair Guide PDF? This is definitely going to save you time and cash in something you should think about. If you trying to find then search around for online. Without a doubt there are numerous these available and many of them have the freedom. However without doubt you receive whatever you purchase. An alternate way to get ideas is always to check another Mcculloch 610 650 Service Repair Guide. This method for see exactly what may be included and adopt these ideas to your book. This site will almost certainly help you save time and effort, money and stress. If you are looking for free books then you really should consider finding to assist you try this. Several of Mcculloch 610 650 Service



Repair Guide are for sale to free while some are payable. If you arent sure if the books you would like to download works with for usage along with your computer, it is possible to download free trials. The free guides make it easy for someone to free access online library for download books to your device. You can get free download on free trial for lots of books categories. Our library is the biggest of these that have literally hundreds of thousands of different products categories represented. You will also see that there are specific sites catered to different product types or categories, brands or niches related with Mcculloch 610 650 Service Repair Guide. So depending on what exactly you are searching, you will be able to choose e books to suit your own need. Need to access completely for Campbell Biology Seventh Edition book? Access Ebook without any digging. And by having access to our ebook online or by storing it on your computer, you have convenient answers with Mcculloch 610 650 Service Repair Guide To get started finding Mcculloch 610 650 Service Repair Guide, you are right to find our website which has a comprehensive collection of books online. Our library is the biggest of these that have literally hundreds of thousands of different products represented. You will also see that there are specific sites catered to different categories or niches related with Mcculloch 610 650 Service Repair Guide So depending on what exactly you are searching, you will be able to choose ebook to suit your own need. Thank you for reading Mcculloch 610 650 Service Repair Guide. Maybe you have knowledge that, people have search numerous times for their favorite readings like this Mcculloch 610 650 Service Repair Guide, but end up in harmful downloads. Rather than reading a good book with a cup of coffee in the afternoon, instead they juggled with some harmful bugs inside their laptop. Mcculloch 610 650 Service Repair Guide is available in our book collection an online access to it is set as public so you can download it instantly. Our digital library spans in multiple locations, allowing you to get the most less latency time to download any of our books like this one. Merely said, Mcculloch 610 650 Service Repair Guide is universally compatible with any devices to read.

### **Find Mcculloch 610 650 Service Repair Guide :**

**mcgraw hill connect music answers**

[mcgraw hill connect homework answers intermediate accounting](#)

*mcgraw hill connect financial accounting answer key*

[mcgraw hill connect macroeconomics answers](#)

**mcgraw hill connect chemistry answer key**

**mcgraw hill corporate finance study guide**

[mcgraw hill coursesmart](#)

[mcgraw hill corporate finance 9e manual solution](#)

**mcgraw hill corporate finance connect promo code**

[mcgraw hill connect financial management homework answers](#)

[mcgraw hill connect managerial accounting homework answers](#)

[mcgraw hill connect chemistry study guide answers](#)

**mcgraw hill connect writing answers**

*mcgraw hill conquering chemistry hsc answers*

[mcgraw hill connect managerial accounting answers](#)

### **Mcculloch 610 650 Service Repair Guide :**

1999 Ford Expedition Owner Manuals Find your Ford Owner Manual here. Print, read or download a PDF or browse an easy, online, clickable version. Access quick reference guides, ... Service & Repair Manuals for 1999 Ford Expedition Get the best deals on Service & Repair Manuals for 1999 Ford Expedition when you shop the largest online selection at eBay.com. Free shipping on many items ... Ford Expedition Repair Manual Ford Pick-Ups, Expedition & Lincoln Navigator 1997-2003 (Haynes Repair Manuals). Paperback. Haynes Repair Manual: Ford Pick-ups & Expedition 1997 thru 1999 ( ... FREE download of 1999 ford service manual needed Oct 20, 2010 — ... Expedition & Navigator - FREE download of 1999 ford service manual ... Ford Service Repair Owners Workshop Manuals Listing - PDFCast.org. 1999 FORD EXPEDITION Service Repair Manual 1999 FORD EXPEDITION Service Repair Manual ... Thank you very much for your reading. Please Click Here Then Get More Information. Related ... User manual Ford Expedition (1999) (English - 216 pages) Manual. View the manual for the Ford Expedition (1999) here, for free. This manual comes under the category cars and has been rated by 3 people with an ... Ford Pick-ups & Expedition 1997 thru 1999 (Haynes) Arrives by Fri, Dec 15 Buy Haynes Repair Manual: Ford Pick-ups & Expedition 1997 thru 1999 (Haynes) at Walmart.com. Ford Expedition 1999 Workshop Manual - ManualsLib View and Download Ford Expedition 1999 workshop manual online. Expedition 1999 automobile pdf manual download. Ford Expedition (1997 - 2017) Introduction Chapter 1: Tune-up and routine maintenance procedures. Chapter 2: Part A: V6 engine. Chapter 2: Part B: V8 engines DIY Service Repair ... - FORD EXPEDITION Owners Manuals View factory original service repair, owners, parts and electrical wiring diagram catalog manuals for the FORD EXPEDITION. If you're looking for FACTORY ... West-Side-Story-Read-The-Screenplay.pdf Jan 18, 2022 — WEST SIDE STORY. Written by. Tony Kushner. Based on the book for the ... Side Story:0:00-0:11:) A light summer breeze catches the curtains ... WSS script.pdf that he is a JET, trying to act the big man. His buddy is A-RAB, an explosive little ferret who enjoys everything and understands the seriousness of nothing ... West Side Story 2021 · Film Written by Tony Kushner and Arthur Laurents.Two youngsters from rival New York City gangs fall in love, but tensions between their respective friends build ... West Side Story: Screenplay by Ernest Lehman This little book is worth ten times its weight in gold. Not only is the screenwriting brilliant, there also are

added elements that blew me away. The photos are ... West Side Story (2021) • Screenplay West Side Story (2021) screenplay written by Tony Kushner. Read, study, and download the original script for free, at 8FLiX. West Side Story (2021 film) West Side Story is a 2021 American musical romantic drama film directed and co-produced by Steven Spielberg from a screenplay by Tony Kushner. 'West Side Story' Script: Read Tony Kushner's Screenplay ... Jan 18, 2022 — “The story is a warning: racism and nativism and poverty are democracy's antitheses and if not resisted and rejected, they will atomize the ... West Side Story Script - Dialogue Transcript West Side Story Script taken from a transcript of the screenplay and/or the Natalie Wood musical movie based on the Broadway play. West Side Story (1961 film) West Side Story is a 1961 American musical romantic drama film directed by Robert Wise and Jerome Robbins, written by Ernest Lehman, and produced by Wise. West Side Story (2021) Screenplay by Tony Kushner West Side Story (2021) Screenplay by Tony Kushner · Subscribe to our e-mail newsletter to receive updates. · Blog Categories · Resources. I need the timing chain marks and diagram for a ford May 23, 2008 — here are the instructions for the timing chain and the specs for the connecting rod torque for the 5.4 eng. Thanks for using Just Answer, Jerry. Timing Schematic for F150 5.4L 2v Mar 30, 2018 — best to do it with a tool. Then you just put the black chain links on the mark on mark on the crank sprocket, and then the links on the correct ... Setting the timing on 05 5.4l 3V - Ford Truck Enthusiasts Aug 20, 2020 — Okay, I watched the FordTechMakuLoco series about 50 times. I am about to put on the new timing chain. Doesn't piston #1 have to be TDC? heres a pic of all 5.4 timing marks Feb 28, 2012 — 2004 - 2008 Ford F150 - heres a pic of all 5.4 timing marks - found this wanted to share ... Changing Ford 5.4L Triton Phasers and Timing Chain Mar 25, 2022 — Detailed guide on replacing the timing chain and phasers on a 5.4L Triton engine describing each step, required tools, and parts needed to ... Ford 5.4L V8 2V timing chain color links moved. Mar 28, 2020 — I installed the chain tensioners. 3. I rotated the crankshaft to test it out. 4. When the color links rotated back into view, the camshaft color ...