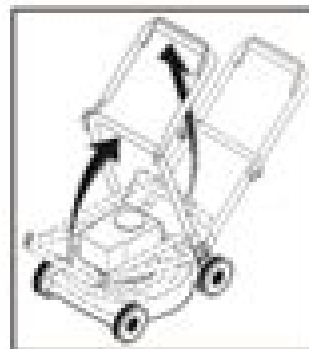
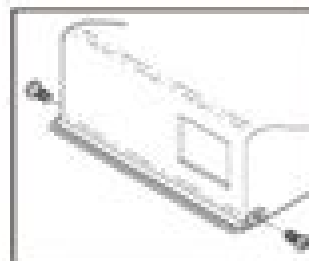




	(GB)	(DE)	(FR)	(ES)	(NL)	(IT)
1	Upper handle	Handgriff, oben	Manchette partie supérieure	Asa superior	Ondersteel, boven	Impugnatura superiore
2	Lower handle	Handgriff, unten	Manchette partie inférieure	Asa inferior	Ondersteel, beneden	Impugnatura inferiore
3	Engine brake pin	Motorbremsstift	Clou de frein moteur	Broche freno motor	Motorremmingspindel	Componente del freno motore
4	Seat handle	Aansteekgrijp	Moteurstart	Asa arranque	Startgreep	Manciglia di avviamento
5	Air filter	Luchtfilter	Filtre à air	Filtro de aire	Luchtfilter	Filtro aria
6	Patrol blade	Rechtsseits Klinge	Moteurcôté d'épaveuse	Hoja de la izquierda del afilado	Rechts zijdeblad	Motorellena lamina
7	Height adjuster pin	Rechtsseitiger Höhenstift	Pinne de réglage de hauteur	Alfiler de la regulación de la altura	Rechtszijde spindel	Regolazione dell'altezza
8	Clutch pin	Kuppelverriegelungs-Pinnschift	Étrier d'arrêt	Broche embrague	Koppelingvervals, handstiel	Componente della frizione manuale



- (GB) ASSEMBLING Handle**
 Push up the handle in direction of the arrow. With the handle in upright position, tighten the straps.
- (DE) MONTAGE Griff**
 Griff in Pfeilrichtung hochheben. Anschließend Riemenstraps anziehen.
- (FR) MONTAGE Manche**
 Déplacer la manche dans la direction de la flèche. Une fois la manche dressée, serrer les straps à bretelles.
- (ES) MONTAJE Empuñadura**
 Levantar la empuñadura en el sentido de la flecha. Cuando la empuñadura está levantada, apretar los cinturones.
- (NL) MONTAGE Handel**
 Rijpste hendel om, in de richting van de pijl, de hendel te heffen en de riemen te aanspannen.
- (IT) MONTAGGIO Impugnatura**
 Sollevare l'impugnatura nel senso dell' freccia. Quando l'impugnatura è sollevata, stringere i giusti.



- (GB) Install Rear Foot Guard**
 * Position guard as shown on your distributor's supply.
NOTE: The foot guard must be installed in the rear position of the machine.
- (DE) Installieren Fuß-schutz montieren**
 * Den Schutz der Abstützung entsprechend anbringen und die Abstützungen feststapeln/verriegeln. **WICHTIG:** Die Montage des Fußschutzes ist für den sicheren Betrieb dieser Maschine erforderlich.
- (FR) Installer le protecteur de pieds arrière**
 * Placer le protecteur comme montré et assurer le avec les attaches fournies. **REMARQUE:** Vous devez installer le protecteur de pieds arrière pour que l'usage de la machine soit sûr.
- (ES) Instalar la protección de pies trasera**
 * Ponga la protección como mostrado y asegúrela con las piezas proporcionadas. **NOTA:** Poner funcionamiento en seguridad de esta máquina hay que instalar la protección de pies trasera.
- (NL) Achterste voetbescherming monteren**
 * Plaats bescherming zoals afgebeeld en zet hem vast bijgevoerde vastzetten vast. **NB!** De voetbescherming dient te worden geïnstalleerd voordat deze machine veilig kan worden gebruikt.
- (IT) Montaggio: Protezione posteriore piedi**
 * Posizionare il guard piede come mostrato nella figura. Assicurarsi in posizione con dispositivo di fissaggio fornito con il prodotto. **NOTA:** A garanzia di un funzionamento sicuro della macchina, è richiesto l'installazione della protezione posteriore piedi.

Mcculloch Mower Manual

Anthony S. Fauci



Mcculloch Mower Manual:

Popular Mechanics ,1988-06 Popular Mechanics inspires instructs and influences readers to help them master the modern world Whether it s practical DIY home improvement tips gadgets and digital technology information on the newest cars or the latest breakthroughs in science PM is the ultimate guide to our high tech lifestyle *Popular Mechanics* ,1981-12 Popular Mechanics inspires instructs and influences readers to help them master the modern world Whether it s practical DIY home improvement tips gadgets and digital technology information on the newest cars or the latest breakthroughs in science PM is the ultimate guide to our high tech lifestyle *Popular Mechanics* ,1980-07 Popular Mechanics inspires instructs and influences readers to help them master the modern world Whether it s practical DIY home improvement tips gadgets and digital technology information on the newest cars or the latest breakthroughs in science PM is the ultimate guide to our high tech lifestyle *Field & Stream* ,1974-01 FIELD STREAM America s largest outdoor sports magazine celebrates the outdoor experience with great stories compelling photography and sound advice while honoring the traditions hunters and fishermen have passed down for generations **Popular Mechanics** ,1982-04 Popular Mechanics inspires instructs and influences readers to help them master the modern world Whether it s practical DIY home improvement tips gadgets and digital technology information on the newest cars or the latest breakthroughs in science PM is the ultimate guide to our high tech lifestyle **Popular Mechanics** ,1985-09 Popular Mechanics inspires instructs and influences readers to help them master the modern world Whether it s practical DIY home improvement tips gadgets and digital technology information on the newest cars or the latest breakthroughs in science PM is the ultimate guide to our high tech lifestyle **Popular Mechanics** ,1987-05 Popular Mechanics inspires instructs and influences readers to help them master the modern world Whether it s practical DIY home improvement tips gadgets and digital technology information on the newest cars or the latest breakthroughs in science PM is the ultimate guide to our high tech lifestyle **Boating** ,1996-07 **Popular Mechanics** ,1984-08 Popular Mechanics inspires instructs and influences readers to help them master the modern world Whether it s practical DIY home improvement tips gadgets and digital technology information on the newest cars or the latest breakthroughs in science PM is the ultimate guide to our high tech lifestyle *Popular Mechanics* ,1981-03 Popular Mechanics inspires instructs and influences readers to help them master the modern world Whether it s practical DIY home improvement tips gadgets and digital technology information on the newest cars or the latest breakthroughs in science PM is the ultimate guide to our high tech lifestyle Popular Science ,1984-08 Popular Science gives our readers the information and tools to improve their technology and their world The core belief that Popular Science and our readers share The future is going to be better and science and technology are the driving forces that will help make it better *Popular Mechanics* ,1972-03 Popular Mechanics inspires instructs and influences readers to help them master the modern world Whether it s practical DIY home improvement tips gadgets and digital technology information on the

newest cars or the latest breakthroughs in science PM is the ultimate guide to our high tech lifestyle **Popular Mechanics** ,1987-12 Popular Mechanics inspires instructs and influences readers to help them master the modern world Whether it s practical DIY home improvement tips gadgets and digital technology information on the newest cars or the latest breakthroughs in science PM is the ultimate guide to our high tech lifestyle **Popular Mechanics** ,1999-07 Popular Mechanics inspires instructs and influences readers to help them master the modern world Whether it s practical DIY home improvement tips gadgets and digital technology information on the newest cars or the latest breakthroughs in science PM is the ultimate guide to our high tech lifestyle Popular Mechanics ,1985-05 Popular Mechanics inspires instructs and influences readers to help them master the modern world Whether it s practical DIY home improvement tips gadgets and digital technology information on the newest cars or the latest breakthroughs in science PM is the ultimate guide to our high tech lifestyle Popular Mechanics ,1993-05 Popular Mechanics inspires instructs and influences readers to help them master the modern world Whether it s practical DIY home improvement tips gadgets and digital technology information on the newest cars or the latest breakthroughs in science PM is the ultimate guide to our high tech lifestyle *Popular Science* ,1976-11 Popular Science gives our readers the information and tools to improve their technology and their world The core belief that Popular Science and our readers share The future is going to be better and science and technology are the driving forces that will help make it better *Popular Mechanics* ,1974-04 Popular Mechanics inspires instructs and influences readers to help them master the modern world Whether it s practical DIY home improvement tips gadgets and digital technology information on the newest cars or the latest breakthroughs in science PM is the ultimate guide to our high tech lifestyle Popular Mechanics ,1974-08 Popular Mechanics inspires instructs and influences readers to help them master the modern world Whether it s practical DIY home improvement tips gadgets and digital technology information on the newest cars or the latest breakthroughs in science PM is the ultimate guide to our high tech lifestyle *Popular Mechanics* ,1973-02 Popular Mechanics inspires instructs and influences readers to help them master the modern world Whether it s practical DIY home improvement tips gadgets and digital technology information on the newest cars or the latest breakthroughs in science PM is the ultimate guide to our high tech lifestyle

If you ally infatuation such a referred **Mcculloch Mower Manual** books that will present you worth, get the categorically best seller from us currently from several preferred authors. If you desire to comical books, lots of novels, tale, jokes, and more fictions collections are then launched, from best seller to one of the most current released.

You may not be perplexed to enjoy all ebook collections Mcculloch Mower Manual that we will very offer. It is not something like the costs. Its not quite what you craving currently. This Mcculloch Mower Manual, as one of the most involved sellers here will definitely be in the middle of the best options to review.

http://www.armchairempire.com/data/Resources/HomePages/great_god_pan_amy_herzog.pdf

Table of Contents Mcculloch Mower Manual

1. Understanding the eBook Mcculloch Mower Manual
 - The Rise of Digital Reading Mcculloch Mower Manual
 - Advantages of eBooks Over Traditional Books
2. Identifying Mcculloch Mower Manual
 - Exploring Different Genres
 - Considering Fiction vs. Non-Fiction
 - Determining Your Reading Goals
3. Choosing the Right eBook Platform
 - Popular eBook Platforms
 - Features to Look for in an Mcculloch Mower Manual
 - User-Friendly Interface
4. Exploring eBook Recommendations from Mcculloch Mower Manual
 - Personalized Recommendations
 - Mcculloch Mower Manual User Reviews and Ratings
 - Mcculloch Mower Manual and Bestseller Lists
5. Accessing Mcculloch Mower Manual Free and Paid eBooks

- Mcculloch Mower Manual Public Domain eBooks
 - Mcculloch Mower Manual eBook Subscription Services
 - Mcculloch Mower Manual Budget-Friendly Options
6. Navigating Mcculloch Mower Manual eBook Formats
 - ePub, PDF, MOBI, and More
 - Mcculloch Mower Manual Compatibility with Devices
 - Mcculloch Mower Manual Enhanced eBook Features
 7. Enhancing Your Reading Experience
 - Adjustable Fonts and Text Sizes of Mcculloch Mower Manual
 - Highlighting and Note-Taking Mcculloch Mower Manual
 - Interactive Elements Mcculloch Mower Manual
 8. Staying Engaged with Mcculloch Mower Manual
 - Joining Online Reading Communities
 - Participating in Virtual Book Clubs
 - Following Authors and Publishers Mcculloch Mower Manual
 9. Balancing eBooks and Physical Books Mcculloch Mower Manual
 - Benefits of a Digital Library
 - Creating a Diverse Reading Collection Mcculloch Mower Manual
 10. Overcoming Reading Challenges
 - Dealing with Digital Eye Strain
 - Minimizing Distractions
 - Managing Screen Time
 11. Cultivating a Reading Routine Mcculloch Mower Manual
 - Setting Reading Goals Mcculloch Mower Manual
 - Carving Out Dedicated Reading Time
 12. Sourcing Reliable Information of Mcculloch Mower Manual
 - Fact-Checking eBook Content of Mcculloch Mower Manual
 - Distinguishing Credible Sources
 13. Promoting Lifelong Learning
 - Utilizing eBooks for Skill Development

- Exploring Educational eBooks
14. Embracing eBook Trends
- Integration of Multimedia Elements
 - Interactive and Gamified eBooks

Mcculloch Mower Manual Introduction

Free PDF Books and Manuals for Download: Unlocking Knowledge at Your Fingertips In today's fast-paced digital age, obtaining valuable knowledge has become easier than ever. Thanks to the internet, a vast array of books and manuals are now available for free download in PDF format. Whether you are a student, professional, or simply an avid reader, this treasure trove of downloadable resources offers a wealth of information, conveniently accessible anytime, anywhere. The advent of online libraries and platforms dedicated to sharing knowledge has revolutionized the way we consume information. No longer confined to physical libraries or bookstores, readers can now access an extensive collection of digital books and manuals with just a few clicks. These resources, available in PDF, Microsoft Word, and PowerPoint formats, cater to a wide range of interests, including literature, technology, science, history, and much more. One notable platform where you can explore and download free Mcculloch Mower Manual PDF books and manuals is the internet's largest free library. Hosted online, this catalog compiles a vast assortment of documents, making it a veritable goldmine of knowledge. With its easy-to-use website interface and customizable PDF generator, this platform offers a user-friendly experience, allowing individuals to effortlessly navigate and access the information they seek. The availability of free PDF books and manuals on this platform demonstrates its commitment to democratizing education and empowering individuals with the tools needed to succeed in their chosen fields. It allows anyone, regardless of their background or financial limitations, to expand their horizons and gain insights from experts in various disciplines. One of the most significant advantages of downloading PDF books and manuals lies in their portability. Unlike physical copies, digital books can be stored and carried on a single device, such as a tablet or smartphone, saving valuable space and weight. This convenience makes it possible for readers to have their entire library at their fingertips, whether they are commuting, traveling, or simply enjoying a lazy afternoon at home. Additionally, digital files are easily searchable, enabling readers to locate specific information within seconds. With a few keystrokes, users can search for keywords, topics, or phrases, making research and finding relevant information a breeze. This efficiency saves time and effort, streamlining the learning process and allowing individuals to focus on extracting the information they need. Furthermore, the availability of free PDF books and manuals fosters a culture of continuous learning. By removing financial barriers, more people can access educational resources and pursue lifelong learning, contributing to personal growth and professional development. This democratization of knowledge promotes intellectual curiosity and empowers

individuals to become lifelong learners, promoting progress and innovation in various fields. It is worth noting that while accessing free Mcculloch Mower Manual PDF books and manuals is convenient and cost-effective, it is vital to respect copyright laws and intellectual property rights. Platforms offering free downloads often operate within legal boundaries, ensuring that the materials they provide are either in the public domain or authorized for distribution. By adhering to copyright laws, users can enjoy the benefits of free access to knowledge while supporting the authors and publishers who make these resources available. In conclusion, the availability of Mcculloch Mower Manual free PDF books and manuals for download has revolutionized the way we access and consume knowledge. With just a few clicks, individuals can explore a vast collection of resources across different disciplines, all free of charge. This accessibility empowers individuals to become lifelong learners, contributing to personal growth, professional development, and the advancement of society as a whole. So why not unlock a world of knowledge today? Start exploring the vast sea of free PDF books and manuals waiting to be discovered right at your fingertips.

FAQs About Mcculloch Mower Manual Books

1. Where can I buy Mcculloch Mower Manual books? Bookstores: Physical bookstores like Barnes & Noble, Waterstones, and independent local stores. Online Retailers: Amazon, Book Depository, and various online bookstores offer a wide range of books in physical and digital formats.
2. What are the different book formats available? Hardcover: Sturdy and durable, usually more expensive. Paperback: Cheaper, lighter, and more portable than hardcovers. E-books: Digital books available for e-readers like Kindle or software like Apple Books, Kindle, and Google Play Books.
3. How do I choose a Mcculloch Mower Manual book to read? Genres: Consider the genre you enjoy (fiction, non-fiction, mystery, sci-fi, etc.). Recommendations: Ask friends, join book clubs, or explore online reviews and recommendations. Author: If you like a particular author, you might enjoy more of their work.
4. How do I take care of Mcculloch Mower Manual books? Storage: Keep them away from direct sunlight and in a dry environment. Handling: Avoid folding pages, use bookmarks, and handle them with clean hands. Cleaning: Gently dust the covers and pages occasionally.
5. Can I borrow books without buying them? Public Libraries: Local libraries offer a wide range of books for borrowing. Book Swaps: Community book exchanges or online platforms where people exchange books.
6. How can I track my reading progress or manage my book collection? Book Tracking Apps: Goodreads, LibraryThing,

and Book Catalogue are popular apps for tracking your reading progress and managing book collections. Spreadsheets: You can create your own spreadsheet to track books read, ratings, and other details.

7. What are Mcculloch Mower Manual audiobooks, and where can I find them? Audiobooks: Audio recordings of books, perfect for listening while commuting or multitasking. Platforms: Audible, LibriVox, and Google Play Books offer a wide selection of audiobooks.
8. How do I support authors or the book industry? Buy Books: Purchase books from authors or independent bookstores. Reviews: Leave reviews on platforms like Goodreads or Amazon. Promotion: Share your favorite books on social media or recommend them to friends.
9. Are there book clubs or reading communities I can join? Local Clubs: Check for local book clubs in libraries or community centers. Online Communities: Platforms like Goodreads have virtual book clubs and discussion groups.
10. Can I read Mcculloch Mower Manual books for free? Public Domain Books: Many classic books are available for free as they're in the public domain. Free E-books: Some websites offer free e-books legally, like Project Gutenberg or Open Library.

Find Mcculloch Mower Manual :

[great god pan amy herzog](#)

[great gatsby test review guide answers](#)

graphic organizer for exponent rules

green manor part i espresso collection assassins and gentleman v 1

[green wealth green wealth](#)

greek revival cooking for life

great change conversion charles spurgeon

[graphics for urban design](#)

[greek mythology ken jennings junior genius guides](#)

gravely g24 manual

grass roots the universe of home the world as home

[grasshopper 718 owners manual](#)

[gre or gmat math a systematic approach](#)

great escape manga

great doctrines of the bible

Mcculloch Mower Manual :

[official movie trailer mengejar malam pertama 2014 youtube](#) - Jul 02 2022

web fb facebook com mitrapicturesindonesiatwitter twitter com mitrapicturesidyoutube youtube com user mitrapictures

mengejar malam pertama 2014 the movie database tmdb - Sep 04 2022

web doni often changes partner so his ask him to get suggested by bang jon chicken noodle hawker doni organizes an audition to find a wife none of the candidates are chosen unintentionally he meets with at a hospital it turns out that is the daughter of mr and mrs broto friends of doni s doni and gsyta finally get doni approves his parents arranged

[novel mengejar malam pertama pdf pdf voto uncal edu](#) - Feb 26 2022

web of novel mengejar malam pertama pdf a marvelous fictional prize overflowing with raw feelings lies an immersive symphony waiting to be embraced crafted by a masterful musician of language

[download novel mengejar malam pertama by wenda koiman](#) - Apr 11 2023

web download ebook mengejar malam pertama wenda koiman pdf untuk membaca novel yang berjudul mengejar malam pertama karya wenda koiman silahkan download dalam bentuk ebook format file pdf melalui link di bawah ini

mengejar malam pertama wenda koiman google books - May 12 2023

web setiap orang ingin bisa melewati malam pertama dengan sukses begitu juga doni cowok mesum yang semula kurang familiar dengan komitmen pada akhirnya menyetujui perjodohan yang diatur

download ebook karya wenda koiman pdf naberblog - Jan 08 2023

web download kumpulan buku novel ebook dan komik dari penulis wenda koiman dalam format pdf

[pertanyaan horor mengejar malam pertama tamat](#) - Oct 05 2022

web ayo bergabung dan subscribe buku mengejar malam pertama tamat agar selalu mendapatkan informasi update chapter terbaru di buku ini dan lihat hasil karya lainnya dari novita sari di aplikasi kbm

[mengejar malam pertama by wenda koiman goodreads](#) - Aug 15 2023

web jan 1 2010 karna diotak doni mesum melulu maka malam pertama adalah hal yang paling dinanti nanti ternyata ada banyak halangan sehingga dalam 2 minggu dia juga blom bisa malam pertama sama istrinya kebayang kan ya gimana doni yang semangat banget dalam hal seks itu blom mendapatkan malam pertamanya

[novel mengejar malam pertama doublespacio uchile cl](#) - Dec 27 2021

web 4 novel mengejar malam pertama 2023 04 14 selalu berada di setiap doa doanya seorang ustaz dengan sopan santun dan tutur kata yang begitu lembut membuat falisha menaruh hati padanya namun rintangan ternyata menghadang dari cinta

lain hati perjodohan sampai keluarga yang turut serta dalam permasalahan akan

buku novel mengejar malam pertama tokopedia - Nov 06 2022

web buku novel mengejar malam pertama di tokopedia promo pengguna baru cicilan 0 kurir instan

mengejar malam pertama wikipedia bahasa indonesia - Dec 07 2022

web mengejar malam pertama adalah film drama komedi indonesia yang dirilis pada 14 agustus 2014 sinopsis doni ananda omesh adalah cowok narsis berotak mesum yang anti komitmen namun harus segera menikah atas permintaan ibunya

novel mengejar malam pertama pdf pdf trevor j com - Aug 03 2022

web we give you this proper as well as simple pretentiousness to get those all we provide novel mengejar malam pertama pdf and numerous books collections from fictions to scientific research in any way in the course of them is this novel mengejar malam pertama pdf that can be your partner the bride s tears eva liana 2020 10 26

novel mengejar malam pertama facebook - Apr 30 2022

web novel mengejar malam pertama facebook

mengejar malam pertama by wenda koiman indonesia ebook - Jun 13 2023

web download gratis mengejar malam pertama pdf oleh wenda koiman silahkan download dan baca secara offline melalui perangkat mobile ataupun melalui perangkat dekstop anda untuk mengunduh pdf novel yang berjudul mengejar malam pertama karya wenda koiman silahkan klik tombol di bawah ini download

buku mengejar malam pertama toko buku online bukukita - Feb 09 2023

web buku mengejar malam pertama karya wenda koiman setiap orang pasti ingin bisa melewati malam pertama dengan sukses itu pasti dan harga mati begitu juga doni cowok mesum yang semula kurang familia

flow malam pertama romance novelme - Mar 30 2022

web mar 2 2021 karena sebuah jebakan dari sang sahabat akhirnya nayla pun harus merelakan malam pertama miliknya terjadi dengan seseorang yang sama sekali tak dia kenal dan sampai akhirnya nayla pun harus berjuang sendiri menjadi seorang single parent membesarkan buah hati dari hasil one night stand tersebut

canggung mengejar malam pertama tamat - Jun 01 2022

web ayo bergabung dan subscribe buku mengejar malam pertama tamat agar selalu mendapatkan informasi update chapter terbaru di buku ini dan lihat hasil karya lainnya dari novita sari di aplikasi kbm

download ebook mengejar malam pertama wenda koiman pdf - Mar 10 2023

web download gratis ebook mengejar malam pertama karya wenda koiman format pdf atau baca secara online ebook mengejar malam pertama by wenda koiman fiction novel wenda koiman romance 2010 10

download novel mengejar malam pertama by wenda koiman - Jul 14 2023

web setiap orang ingin bisa melewati malam pertama dengan sukses begitu juga doni cowok mesum yang semula kurang familiar dengan komitmen pada akhirnya menyetujui perjodohan yang diatur orangtuanya namun dasar apes ada saja hal yang membuat malam sakral itu terus tertunda

mengemis malam pertama pdf novel online dari gleoriud - Jan 28 2022

web mengemis malam pertama novel ini adalah novel bertipe romansa yang menggambarkan jalan cerita aku menginginkan anak ujar wanita itu dingin dengan tubuh basah kuyup riki memandang tak percaya mazaya istrinya itu kembali pulang setelah kabur di malam pertama pernikahan mereka lima tahun yang lalu

pablo picasso ausstellung zu 80 jahre guernica dw com - Jul 05 2022

web apr 3 2017 kaum ein kunstwerk ist berühmter als dieses gigantische gemälde guernica von pablo picasso gilt als das anti kriegsbild schlechthin ab dienstag wird es in einer ausstellung in madrid gefeiert

9783458325062 picassos guernica eine kunst monographie - Jun 16 2023

web picassos guernica eine kunst monographie finden sie alle bücher von max imdahl bei der büchersuchmaschine eurobuch ch können sie antiquarische und neubücher vergleichen und sofort zum bestpreis bestellen 9783458325062 picasso bild guernica ist ein jahrhundertbild das heißt ein ereignisbild

isbn 9783458325062 picassos guernica eine kunst monographie - Apr 14 2023

web isbn 9783458325062 picassos guernica eine kunst monographie auf dem buchfreund marktplatz gebraucht antiquarisch neu kaufen

pablo picasso guernica kunstdruck leinwandbild gerahmtes bild - Jun 04 2022

web bei uns erhalten sie auch die meisten klassischen kunstdrucke oder poster wie z b guernica von pablo picasso als leinwandbild auf keilrahmen dazu wird der druck auf eine leinwand kaschiert und mit einer spezialfolie versiegelt anschließend wird das ganze dann auf einen keilrahmen gezogen dadurch erhalten sie ein leinwandbild dass

[picassos guernica eine kunst monographie pdf uniport edu](#) - May 03 2022

web aug 24 2023 picassos guernica eine kunst monographie 1 10 downloaded from uniport edu ng on august 24 2023 by guest picassos guernica eine kunst monographie as recognized adventure as skillfully as experience virtually lesson amusement as skillfully as concord can be gotten by just checking out a books picassos guernica eine kunst

[picassos guernica eine kunst monographie pdf uniport edu](#) - Jan 31 2022

web sep 16 2023 beschränkte sich 1899 und 1900 zunächst auf motive die für ihn die endgültige wahrheit bedeuteten die vergänglichkeit des lebens und die unvermeidbarkeit des todes

guernica bild wikipedia - May 15 2023

web guernica ist ein etwa 3 50 m 7 80 m großes gemälde von pablo picasso es entstand 1937 als reaktion auf die zerstörung

der spanischen stadt guernica durch den luftangriff der deutschen legion condor und der italienischen corpo truppe volontarie die während des spanischen bürgerkrieges auf seiten francisco francos kämpften das bild

kompositionen nach guernica von pablo picasso jstor - Jan 11 2023

web guernica eine synthese von revolte und mystik und zweifellos ein höhepunkt in picassos werk stellt das meistvertonte gemälde picassos mit bislang 29 vertonungen dar der titel des bildes nimmt bezug auf die kleine baskische stadt guernica die am 26 april 1937 durch die in den spanischen bürgerkrieg inter

picassos guernica eine kunst monographie - Aug 18 2023

web picassos guernica eine kunst monographie 2 downloaded from old restorativejustice org on 2020 10 23 by guest sehen ist nicht gleich sehen bald ist es warten auf ein erscheinen bald taktiles entziffern hier steht es mit produktivem wortverzicht zusammen dort vermittelt es ansichten einer störenden sprachlosigkeit

picassos guernica eine kunst monographie nysm pfi org - Mar 01 2022

web picassos guernica eine kunst monographie picassos guernica eine kunst monographie 2 downloaded from nysm pfi org on 2022 08 13 by guest der künstler pablo picasso begreift den terror angriff auf die baskische stadt guernica am 26 april 1937 auch als zerstörung der kunst im menschen das bild guernica

picassos guernica vor 80 jahren erstmals gezeigt - Nov 09 2022

web ein riesiges wandgemälde gilt als picassos bekanntestes werk guernica die visuelle anklage gegen faschismus und krieg wurde vor 80 jahren erstmals gezeigt das werk sorgte beim publikum für viel aufsehen und ist heute so aktuell wie damals

picassos guernica eine monographie mit ab 2 - Mar 13 2023

web picassos guernica eine monographie mit abbildungen und einer klapptafel mit wenigen abbildungen picassos bild ist ein jahrhundertbild es ist das bedeutendste ereignisbild unserer zeit 6 angebote vergleichen

malerei die geschichte von picassos guernica welt - Dec 10 2022

web apr 22 2007 die geschichte von picassos guernica die baskische stadt gernika ist 1937 durch einen deutsch italienischen luftangriff völlig zerstört worden als der spanische maler pablo picasso davon

picassos geheimnisse baskenland baskultur info - Aug 06 2022

web die entschlüsselung des guernica bilds die geschichte und ikonografie von pablo picassos bild guernica beschäftigt historiker innen wie kunstexperten innen gleichermaßen was oder wieviel hat das bild mit der zerstörung der baskischen stadt gernika baskischer name zu tun welche symbolik haben die figuren die auf dem

warum picassos bild guernica nicht den luftangriff auf guernica - Oct 08 2022

web jul 12 2023 pablo picassos guernica ist eine ikone gegen die gräuel des krieges doch es besteht ein großer unterschied zu anderen gemälden über den krieg wie etwa jene von francisco de goya oder

[picassos guernica alles was sie wissen sollten](#) - Sep 07 2022

web auf picassos wunsch hin wurde guernica dem museum für moderne kunst anvertraut und es war sein ausdrücklicher wunsch dass das gemälde erst nach der einföhrung von freiheit und demokratie in spanien ausgeliefert werden sollte zwischen 1939 und 1952 wurde guernica in den vereinigten staaten ausgiebig bereist

ikonographie von picassos guernica grin - Feb 12 2023

web in reaktion auf diese geschehnisse während des spanischen bürgerkriegs entstand dann guernica das bild das nur in den tönen schwarz weiß und grau gestaltet ist hat die maße von 349 777 cm und hängt heute im museum reina sofia in madrid diese hausarbeit hat die ikonographie picassos guernica zum thema

[picassos guernica eine kunst monographie taschenbuch amazon de](#) - Sep 19 2023

web eine kunst monographie taschenbuch 25 juni 1985 von max imdahl autor 4 0 8 sternbewertungen alle formate und editionen anzeigen taschenbuch 2 99 6 gebraucht ab 2 99 das bild guernica 1937 entstanden ist

[picassos guernica e kunst monographie deutsche digitale](#) - Jul 17 2023

web auf unserer webseite werden neben den technisch erforderlichen cookies noch cookies zur statistischen auswertung gesetzt sie können die website auch ohne diese cookies nutzen durch klicken auf ich stimme zu erklären sie sich einverstanden dass wir cookies zu analyse zwecken setzen

picassos guernica eine kunst monographie qa nuevasolutions - Apr 02 2022

web we come up with the money for picassos guernica eine kunst monographie and numerous book collections from fictions to scientific research in any way accompanied by them is this picassos guernica eine kunst

organic chemistry student solution manual and study guide - Apr 11 2023

web mar 16 2021 organic chemistry student solution manual and study guide 4th edition kindle edition by david r klein download it once and read it on your kindle device pc phones or tablets use features like bookmarks note taking and highlighting while reading organic chemistry student solution manual and study guide 4th edition

[organic chemistry student solution manual and study guide](#) - Mar 10 2023

web organic chemistry student solution manual and study guide edition 4 ebook written by david r klein read this book using google play books app on your pc android ios devices download for offline reading highlight bookmark or take notes while you read organic chemistry student solution manual and study guide edition 4

[organic chemistry by david kien solution manual](#) - Feb 26 2022

web organic chemistry by david kien solution manual free ebook download as pdf file pdf text file txt or read book online for free organic chemistry solution manual

organic chemistry student study guide and solutions manual - Mar 30 2022

web jan 4 2017 david r klein john wiley sons jan 4 2017 science 1104 pages this is the student study guide and solutions manual to accompany organic chemistry 3e organic chemistry 3rd edition is not merely a compilation of principles but rather it is a disciplined method of thought and analysis

organic chemistry student solution manual and study guide - Jun 01 2022

web organic chemistry student solution manual and study guide 4th edition is written by david r klein and published by wiley the digital and etextbook isbn for organic chemistry student solution manual and study guide are 9781119659525

1119659523 and the print isbn is 9781119659587 1119659582

organic chemistry 4e student solution manual and study guide - Jun 13 2023

web jan 7 2021 organic chemistry 4e student solution manual and study guide david r klein john wiley sons jan 7 2021

science 1232 pages success in organic chemistry requires mastery

organic chemistry student solutions manual and study guide - Jul 02 2022

web presenting a skills based approach that bridges the gap between organic chemistry theory and real world practice dr david klein makes content comprehensible to students while placing special emphasis on developing their problem solving skills through applied exercises and activities

student study guide and solution manual for organic chemistry - Jul 14 2023

web feb 15 2022 free download student study guide and solution manual for organic chemistry 4th edition written by david r klein in pdf this book contains more than just solutions to all of the problems in the textbook

organic chemistry 4e student solution manual and study guide - May 12 2023

web with organic chemistry student solution manual and study guide 4th edition students can learn to become proficient at approaching new situations methodically based on a repertoire of skills these skills are vital for successful problem solving

organic chemistry integrated with solutions manual 4th edition - Jan 28 2022

web organic chemistry integrated with solutions manual 4th edition is written by david r klein and published by wiley the digital and etextbook isbn for organic chemistry integrated with solutions manual are 9781119776741 1119776740 and the print isbn is 9781119659594 1119659590

organic chemistry 4th edition wiley - Apr 30 2022

web in organic chemistry 4th edition dr david klein builds on the phenomenal success of the first three editions with his skills based approach to learning organic chemistry the klein program covers all the concepts typically covered in an organic chemistry course while placing a special emphasis on the skills development needed to support

klein student solution manual 3rd edition r organic chemistry reddit - Aug 15 2023

web jun 21 2021 organic chemistry student study guide and solutions manual 3rd edition by david klein

[wiley organic chemistry student study guide and solutions manual](#) - Dec 07 2022

web this is the student study guide and solutions manual to accompany organic chemistry 3e organic chemistry 3rd edition is not merely a compilation of principles but rather it is a disciplined method of thought and analysis success in organic chemistry requires mastery in two core aspects fundamental concepts and the skills needed to apply

organic chemistry 0471756148 david klein solution manual - Dec 27 2021

web organic chemistry 0471756148 david klein solution manual 1 free ebook download as pdf file pdf text file txt or read book online for free solution of 1st edition

[organic chemistry student study guide and solutions manual 4th](#) - Aug 03 2022

web find 9781119659587 organic chemistry student study guide and solutions manual 4th edition by david klein at over 30 bookstores buy rent or sell

student study guide and solutions manual for organic chemistry - Oct 05 2022

web feb 2 2011 details sold by paramus books see clubs not in a club learn more see all 2 images follow the author david r klein student study guide and solutions manual for organic chemistry 1st edition by david r klein author 4 5 102 ratings see all formats and editions there is a newer edition of this item

organic chemistry epub with enhanced student solutions manual - Feb 09 2023

web organic chemistry add to cart organic chemistry epub with enhanced student solutions manual and study guide 3rd edition david r klein isbn 978 1 119 35160 3 march 2017 e book starting at just 50 00 e book rental 150 days 50 00 e book 119 50 download product flyer download product flyer is to download pdf in new tab

[organic chemistry 4th edition wileyplus](#) - Jan 08 2023

web in organic chemistry 4th edition dr david klein builds on the phenomenal success of the first three editions through his skills based approach to learning organic chemistry

[organic chemistry student study guide and solutions manual](#) - Nov 06 2022

web jan 4 2017 amazon com organic chemistry student study guide and solutions manual 9781119378693 klein david r books

amazon com david klein organic chemistry solutions manual - Sep 04 2022

web jan 7 2021 amazon com david klein organic chemistry solutions manual 1 16 of 57 results for david klein organic chemistry solutions manual results organic chemistry student solution manual and study guide by david r klein jan 7 2021 4 7 out of 5 stars 41 loose leaf 106 54 106 54