

Hydrostatic Transmission

HST TWO PEDAL LINKAGE MECHANISM

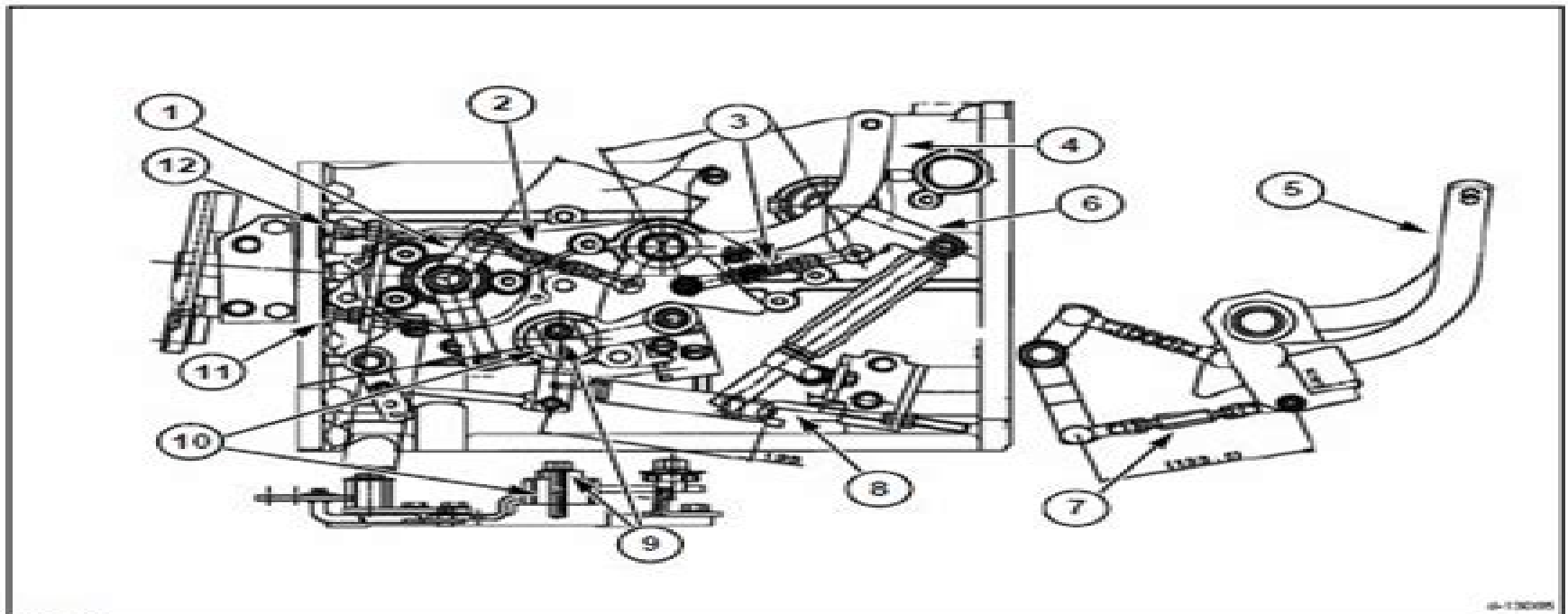


FIG. 58

FIG. 58: Dimensions of the HST Pedals

- (1) Counter Shaft
- (2) 100.3 to 102.3 mm (3.95 to 4.03 in)
Rod B
- (3) Rod A 100.3 to 102.3 mm (3.95 to 4.03 in)
- (4) HST Arm (Forward)
- (5) HST Arm (Reverse)
- (6) Trunnion Arm
- (7) Rod C
- (8) Rod D
- (9) Bolt A
- (10) Adjustment Pin
- (11) Reverse Stopper Bolt
- (12) Forward Stopper Bolt

Manual Massey Ferguson 1533 Hydraulic System

S Marginson



Manual Massey Ferguson 1533 Hydraulic System:

Official Guide, Tractors and Farm Equipment, 1989 U.S. Industrial Directory, 1986 **British Power Farmer and Agricultural Engineer**, 1980 Farmers and Consumers Market Bulletin, 2010 **The Prairie Farmer**, 1955 Basic Hydraulic System, 1966 **Hitch Control and Hydraulic System**, 1966 **A Manual of Hydraulics** Raymond

Busquet, 2012-01 Unlike some other reproductions of classic texts 1 We have not used OCR Optical Character Recognition as this leads to bad quality books with introduced typos 2 In books where there are images such as portraits maps sketches etc We have endeavoured to keep the quality of these images so they represent accurately the original artefact Although occasionally there may be certain imperfections with these old texts we feel they deserve to be made available for future generations to enjoy Unit Instruction Manual Komatsu Seisakujo, 198? **Hydraulic Power Engineering** George Croydon Marks baron Marks, 1900 Service Manual, 19?? A Manual of Hydraulics (Classic Reprint) R.

Busquet, 2015-07-22 Excerpt from A Manual of Hydraulics The growing needs of modern industry have given rise to a corresponding development in energy producers In recent years steam engines have been brought to such a state of perfection that it appears impossible for them to be much further improved in the future Again the Parsons Curtis and Laval steam turbines have each contributed their share to the production of mechanical energy Also explosion engines using either oil vapour gas petroleum or alcohol have made possible the transformation of heat into mechanical work with an efficiency which until recently was quite unlooked for But all these engines consume great quantities of coal that black bread of industry whose price increasing with its use causes the loss of all the fruits of economies attained by successive improvements in the efficiency of heat engines It is because industry has sought other sources of energy in addition to the fuel which lies underground that water power has been exploited and that use has been made of that white oil which collects on the mountains and is conveyed in rivers to work hydraulic machinery Of course the utilisation of waterfalls is not of recent date but their applications have been very limited in the past because the energy obtained could not be distributed in the great centres where it was needed Since however electric currents have rendered possible the transport of water forces stored up in mountainous districts to popular centres there has been a veritable revolution About the Publisher Forgotten Books publishes hundreds of thousands of rare and classic books Find more at www.forgottenbooks.com This book is a reproduction of an important historical work Forgotten Books uses state of the art technology to digitally reconstruct the work preserving the original format whilst repairing imperfections present in the aged copy In rare cases an imperfection in the original such as a blemish or missing page may be replicated in our edition We do however repair the vast majority of imperfections successfully any imperfections that remain are intentionally left to preserve the state of such historical works

Massey-Ferguson TE 20 Service Manual Massey-Ferguson, 19?? **Hydraulic Power Engineering** George Croydon Marks, 2015-06-24 Excerpt from Hydraulic Power Engineering A Practical Manual on the Concentration and Transmission of

Power by Hydraulic Machinery This work may be regarded as a successor to a smaller volume by the same Author on Hydraulic Machinery published in 1891 which he prepared with a view to the assistance of engineering students and others who might be practically interested in the subject In the present volume an attempt is made to give an outline discussion and description of the main points and principles requiring attention by engineers having the responsibility of designing or constructing works and appliances for the utilisation of water for the transmission of power It would be impossible in any single volume to deal adequately or comprehensively with the many problems arising in the different sections into which the very large subject of Hydraulics and Hydraulic Engineering naturally divides itself The Author therefore has contented himself with giving examples which have special reference to the particular sections in which they occur and in addition he has endeavoured to lead up to the general subject by a brief examination of the principles underlying the whole study About the Publisher Forgotten Books publishes hundreds of thousands of rare and classic books Find more at www.forgottenbooks.com This book is a reproduction of an important historical work Forgotten Books uses state of the art technology to digitally reconstruct the work preserving the original format whilst repairing imperfections present in the aged copy In rare cases an imperfection in the original such as a blemish or missing page may be replicated in our edition We do however repair the vast majority of imperfections successfully any imperfections that remain are intentionally left to preserve the state of such historical works

I & T Shop Service, 1988 **Unit Instruction Manual** Komatsu Seisakujo, 1980 *Hydraulic Power Engineering* George Croydon Marks, 2008-08 This scarce antiquarian book is a facsimile reprint of the original Due to its age it may contain imperfections such as marks notations marginalia and flawed pages Because we believe this work is culturally important we have made it available as part of our commitment for protecting preserving and promoting the world's literature in affordable high quality modern editions that are true to the original work

[Service manual, the hydraulic system of the 1948 convertible](#) Packard Motor Car Company, 1947 **Vickers Mobile Hydraulics Manual**, 1998 **The Massey Ferguson 35 Tractor Workshop Service Manual** Chris Jaworski, 2012-11-14 In the UK between 1957 and 1964 Massey Ferguson manufactured some 380 000 MF35s the most popular medium sized farm tractors of the period Many have remained in work and they are a restorer's favourite machine Chris Jaworski's book based on his heavily illustrated articles for Tractor weekly checks operator maintenance engines cooling systems fuel systems transmissions rear axle and PTO brakes hydraulics steering and front axle electrics bodywork Each section is further sub divided to take account of the modifications that were applied to the MF35 during its production run and the options available to owners including the De Luxe variants For owners involved in servicing repairs or restoration this crystal clear guide will help them enjoy getting the work done efficiently

The Enigmatic Realm of **Manual Massey Ferguson 1533 Hydraulic System**: Unleashing the Language is Inner Magic

In a fast-paced digital era where connections and knowledge intertwine, the enigmatic realm of language reveals its inherent magic. Its capacity to stir emotions, ignite contemplation, and catalyze profound transformations is nothing lacking extraordinary. Within the captivating pages of **Manual Massey Ferguson 1533 Hydraulic System** a literary masterpiece penned by way of a renowned author, readers attempt a transformative journey, unlocking the secrets and untapped potential embedded within each word. In this evaluation, we shall explore the book's core themes, assess its distinct writing style, and delve into its lasting effect on the hearts and minds of those who partake in its reading experience.

http://www.armchairempire.com/book/uploaded-files/fetch.php/honda_pcx_user_manual.pdf

Table of Contents Manual Massey Ferguson 1533 Hydraulic System

1. Understanding the eBook Manual Massey Ferguson 1533 Hydraulic System
 - The Rise of Digital Reading Manual Massey Ferguson 1533 Hydraulic System
 - Advantages of eBooks Over Traditional Books
2. Identifying Manual Massey Ferguson 1533 Hydraulic System
 - Exploring Different Genres
 - Considering Fiction vs. Non-Fiction
 - Determining Your Reading Goals
3. Choosing the Right eBook Platform
 - Popular eBook Platforms
 - Features to Look for in an Manual Massey Ferguson 1533 Hydraulic System
 - User-Friendly Interface
4. Exploring eBook Recommendations from Manual Massey Ferguson 1533 Hydraulic System
 - Personalized Recommendations
 - Manual Massey Ferguson 1533 Hydraulic System User Reviews and Ratings
 - Manual Massey Ferguson 1533 Hydraulic System and Bestseller Lists

5. Accessing Manual Massey Ferguson 1533 Hydraulic System Free and Paid eBooks
 - Manual Massey Ferguson 1533 Hydraulic System Public Domain eBooks
 - Manual Massey Ferguson 1533 Hydraulic System eBook Subscription Services
 - Manual Massey Ferguson 1533 Hydraulic System Budget-Friendly Options
6. Navigating Manual Massey Ferguson 1533 Hydraulic System eBook Formats
 - ePub, PDF, MOBI, and More
 - Manual Massey Ferguson 1533 Hydraulic System Compatibility with Devices
 - Manual Massey Ferguson 1533 Hydraulic System Enhanced eBook Features
7. Enhancing Your Reading Experience
 - Adjustable Fonts and Text Sizes of Manual Massey Ferguson 1533 Hydraulic System
 - Highlighting and Note-Taking Manual Massey Ferguson 1533 Hydraulic System
 - Interactive Elements Manual Massey Ferguson 1533 Hydraulic System
8. Staying Engaged with Manual Massey Ferguson 1533 Hydraulic System
 - Joining Online Reading Communities
 - Participating in Virtual Book Clubs
 - Following Authors and Publishers Manual Massey Ferguson 1533 Hydraulic System
9. Balancing eBooks and Physical Books Manual Massey Ferguson 1533 Hydraulic System
 - Benefits of a Digital Library
 - Creating a Diverse Reading Collection Manual Massey Ferguson 1533 Hydraulic System
10. Overcoming Reading Challenges
 - Dealing with Digital Eye Strain
 - Minimizing Distractions
 - Managing Screen Time
11. Cultivating a Reading Routine Manual Massey Ferguson 1533 Hydraulic System
 - Setting Reading Goals Manual Massey Ferguson 1533 Hydraulic System
 - Carving Out Dedicated Reading Time
12. Sourcing Reliable Information of Manual Massey Ferguson 1533 Hydraulic System
 - Fact-Checking eBook Content of Manual Massey Ferguson 1533 Hydraulic System
 - Distinguishing Credible Sources
13. Promoting Lifelong Learning

- Utilizing eBooks for Skill Development
 - Exploring Educational eBooks
14. Embracing eBook Trends
- Integration of Multimedia Elements
 - Interactive and Gamified eBooks

Manual Massey Ferguson 1533 Hydraulic System Introduction

In this digital age, the convenience of accessing information at our fingertips has become a necessity. Whether its research papers, eBooks, or user manuals, PDF files have become the preferred format for sharing and reading documents. However, the cost associated with purchasing PDF files can sometimes be a barrier for many individuals and organizations. Thankfully, there are numerous websites and platforms that allow users to download free PDF files legally. In this article, we will explore some of the best platforms to download free PDFs. One of the most popular platforms to download free PDF files is Project Gutenberg. This online library offers over 60,000 free eBooks that are in the public domain. From classic literature to historical documents, Project Gutenberg provides a wide range of PDF files that can be downloaded and enjoyed on various devices. The website is user-friendly and allows users to search for specific titles or browse through different categories. Another reliable platform for downloading Manual Massey Ferguson 1533 Hydraulic System free PDF files is Open Library. With its vast collection of over 1 million eBooks, Open Library has something for every reader. The website offers a seamless experience by providing options to borrow or download PDF files. Users simply need to create a free account to access this treasure trove of knowledge. Open Library also allows users to contribute by uploading and sharing their own PDF files, making it a collaborative platform for book enthusiasts. For those interested in academic resources, there are websites dedicated to providing free PDFs of research papers and scientific articles. One such website is Academia.edu, which allows researchers and scholars to share their work with a global audience. Users can download PDF files of research papers, theses, and dissertations covering a wide range of subjects. Academia.edu also provides a platform for discussions and networking within the academic community. When it comes to downloading Manual Massey Ferguson 1533 Hydraulic System free PDF files of magazines, brochures, and catalogs, Issuu is a popular choice. This digital publishing platform hosts a vast collection of publications from around the world. Users can search for specific titles or explore various categories and genres. Issuu offers a seamless reading experience with its user-friendly interface and allows users to download PDF files for offline reading. Apart from dedicated platforms, search engines also play a crucial role in finding free PDF files. Google, for instance, has an advanced search feature that allows users to filter results by file type. By specifying the file type as "PDF," users can find websites that offer free PDF downloads on a specific topic. While downloading Manual Massey Ferguson 1533

Hydraulic System free PDF files is convenient, its important to note that copyright laws must be respected. Always ensure that the PDF files you download are legally available for free. Many authors and publishers voluntarily provide free PDF versions of their work, but its essential to be cautious and verify the authenticity of the source before downloading Manual Massey Ferguson 1533 Hydraulic System. In conclusion, the internet offers numerous platforms and websites that allow users to download free PDF files legally. Whether its classic literature, research papers, or magazines, there is something for everyone. The platforms mentioned in this article, such as Project Gutenberg, Open Library, Academia.edu, and Issuu, provide access to a vast collection of PDF files. However, users should always be cautious and verify the legality of the source before downloading Manual Massey Ferguson 1533 Hydraulic System any PDF files. With these platforms, the world of PDF downloads is just a click away.

FAQs About Manual Massey Ferguson 1533 Hydraulic System Books

How do I know which eBook platform is the best for me? Finding the best eBook platform depends on your reading preferences and device compatibility. Research different platforms, read user reviews, and explore their features before making a choice. Are free eBooks of good quality? Yes, many reputable platforms offer high-quality free eBooks, including classics and public domain works. However, make sure to verify the source to ensure the eBook credibility. Can I read eBooks without an eReader? Absolutely! Most eBook platforms offer web-based readers or mobile apps that allow you to read eBooks on your computer, tablet, or smartphone. How do I avoid digital eye strain while reading eBooks? To prevent digital eye strain, take regular breaks, adjust the font size and background color, and ensure proper lighting while reading eBooks. What the advantage of interactive eBooks? Interactive eBooks incorporate multimedia elements, quizzes, and activities, enhancing the reader engagement and providing a more immersive learning experience. Manual Massey Ferguson 1533 Hydraulic System is one of the best book in our library for free trial. We provide copy of Manual Massey Ferguson 1533 Hydraulic System in digital format, so the resources that you find are reliable. There are also many Ebooks of related with Manual Massey Ferguson 1533 Hydraulic System. Where to download Manual Massey Ferguson 1533 Hydraulic System online for free? Are you looking for Manual Massey Ferguson 1533 Hydraulic System PDF? This is definitely going to save you time and cash in something you should think about.

Find Manual Massey Ferguson 1533 Hydraulic System :

[honda pcx user manual](#)

[honda msx125 service manual](#)

honda trx200 fourtrax workshop repair manual 1984 onwards

~~honda shadow sprint manual~~

honda nsr125f workshop service repair manual 1987 nsr 125 f

[honda sh 150 manual 2015](#)

honda metro scooter manual

honda lawn mower gcv160 owners manual

[honda trx 700xx service manual repair 2008 2009 trx700xx](#)

honda muv700 big red 700 utility vehicle complete workshop service repair manual 2009 2010 2011 2012 2013 2014 2015

~~honda umk425u manual~~

honda rfv 250 manuals

honda odyssey 2004 owners manual

[honda portable compressor gx160 owners manual](#)

honda shadow spirit 1100 service manual

Manual Massey Ferguson 1533 Hydraulic System :

[eat sleep repeat wikipedia](#) - Dec 27 2021

web eat sleep repeat is the third full length release and major label debut from lakeland florida s copeland it was recorded at glow in the dark in atlanta during june and july 2006

eat sleep cheer repeat cheerleading notebook cheerleading - Dec 07 2022

web eat sleep cheer repeat cheerleading notebook cheerleading notebook college ruled 120pages 6x9in cheer notebook for kids girls boy pub camping amazon com tr kitap

[eat sleep cheerleading repeat composition notebook college ruled](#) - Nov 06 2022

web eat sleep cheerleading repeat composition notebook college ruled composition notebook for math journal for kids teaching composition 8 5 x 11 200 pages volume 72 press mirako amazon es libros

[eat sleep cheerleading repeat composition notebook college ruled](#) - May 12 2023

web may 25 2018 eat sleep cheerleading repeat composition notebook college ruled composition notebook for math journal for kids teaching composition 8 5 x 11 200 pages press mirako on amazon com free shipping on qualifying offers

eat sleep drink beer repeat composition notebook college ruled - Aug 03 2022

web eat sleep drink beer repeat composition notebook college ruled diary for girls journals for women composition book college ruled 8 5 x 11 200 pages volume 11 press mirako amazon com tr

eatsleepcheerrepeatcollegeruledcomposition - Apr 30 2022

web 3 web 31 jul 2019 eat sleep cheer repeat college ruled composition notebook eatsleepcheerrepeatcollegeruledcomposition ccleary 2023 web this online statement

eat sleep cheer repeat college ruled composition pdf - Jun 01 2022

web apr 18 2023 composition notebook this classic ruled composition notebook is ready for any assignment and is used by students for formal and creative writings and journaling cover great tough matte paperback

eat sleep cheer repeat college ruled composition book wp - Jul 02 2022

web unheard yet set within the pages of eat sleep cheer repeat college ruled composition a charming fictional treasure blinking with raw feelings lies an exceptional journey waiting to be undertaken written by an experienced wordsmith that enchanting opus encourages visitors on an

eat sleep cheer repeat composition notebook college ruled composition - Jun 13 2023

web may 25 2018 eat sleep cheer repeat composition notebook college ruled composition notebook for school journal for teenage girl writing journal 8 5 x 11 200 pages volume 71 press mirako amazon co uk stationery office supplies

buy eat sleep cheer repeat composition notebook college ruled - Mar 10 2023

web amazon in buy eat sleep cheer repeat composition notebook college ruled composition notebook for school journal for teenage girl writing journal 7 44 x 9 69 200 pages book online at best prices in india on amazon in read eat sleep cheer repeat composition notebook college ruled composition notebook for school journal

buy eat sleep cheerleading repeat composition notebook college ruled - Jan 08 2023

web amazon in buy eat sleep cheerleading repeat composition notebook college ruled composition notebook for math journal for kids teaching composition 7 44 x 9 69 200 pages book online at best prices in india on amazon in read eat sleep cheerleading repeat composition notebook college ruled composition notebook for math

what do college students eat food selection and meal pattern - Mar 30 2022

web aug 1 1994 skimmed milk 31 9 and 2 milk 22 9 were consumed more frequently than whole milk 4 8 by both genders men consumed whole and 2 milk more frequently than women p 0 05 whereas women consumed skim milk more often than men p 0 05 low fat meat selections such as turkey 14 4 and chicken 6 3 were popular with

eat sleep cheer repeat t shirt cheerleading shirt t shirt - Feb 26 2022

web may 25 2018 funny cheerleading graduation 2023 eat sleep cheer repeat tee complete your collection of grad accessories for him her necklace hat cap gown charm dress up keychain socks jacket matching outfit skirts pom poms bows

with this tshirt

eat sleep cheer repeat composition notebook college ruled composition - Jul 14 2023

web jun 3 2018 *eat sleep cheer repeat composition notebook college ruled composition notebook for school journal for teenage girl writing journal* 7 44 x 9 69 200 pages press mirako on amazon com free shipping on qualifying offers

eat sleep football repeat composition notebook college ruled - Sep 04 2022

web *eat sleep football repeat composition notebook college ruled diary daily journal journals for boys writing journals for girls* 8 5 x 11 200 pages volume 41 press mirako amazon com tr kitap

eat sleep train repeat chloe mcleod - Jan 28 2022

web the proteins in milk can actually help stimulate production of melatonin which is the hormone that helps you get to sleep plus for athletes this is particularly great as milk before bed can also help stimulate protein synthesis over night avoid caffeine later in the afternoon it takes some time for caffeine to be removed from the body

eat sleep flowers repeat composition notebook college ruled - Oct 05 2022

web *eat sleep flowers repeat composition notebook college ruled diary for men journals to write in for girls college ruled paper kindergarten* 8 5 x 11 200 pages volume 35 press mirako amazon com tr kitap

eat sleep clubs repeat composition notebook college ruled composition - Apr 11 2023

web *eat sleep clubs repeat composition notebook college ruled composition notebook blank pages journal blank pages ruled paper sheets* 8 5 x 11 200 pages volume 77 press mirako amazon com tr kitap

eat sleep cheer repeat composition book wide ruled 100 - Aug 15 2023

web *eat sleep cheer repeat composition book wide ruled 100 pages* 7 44 x 9 69 funny lined school notebook journal gift for cheerleader and student books school sports amazon com tr kitap

eat sleep cheer repeat composition notebook college ruled composition - Feb 09 2023

web *eat sleep cheer repeat composition notebook college ruled composition notebook for school journal for teenage girl writing journal* 8 5 x 11 200 pages press mirako isbn 9781719599382 kostenloser versand für

khf 950 990 seaerospace com - Jul 14 2023

web king khf 950 990 hf ssb transceiver is all about the khf 950 990 is a compact lightweight system to provide an extensive range of operator benefits it is designed with international flight operations in mind to provide superior long range communications a basic khf 950 990 system consists of either three or four units

bendix king khf 950 hf ssb communication system installation manual - Aug 03 2022

web bendix king khf 950 hf ssb communication system installation manual 006 05389 0002 25 95 available options version bendix king khf 950 hf ssb add to cart category installation manuals tags communication system installation manual khf 950

hf ssb manual number 006 05389 0002 description additional information

installation manuals aircraftmanuals com - Jun 01 2022

web bendix king khf 950 hf ssb communication system installation manual 006 05389 0002 25 95 bendix king khf 950 hf ssb bendix king ki 229 radio magnetic installation manual 006 00192 0002 6 95 bendix king ki 229 bendix king kln 90b gps rnav installation manual 006 10521 0006 38 95 bendix king kln 90b gps

additional khf 950 installation options description 2 8 - Feb 09 2023

web additional khf 950 installation options while the standard khf 950 system requires a wire antenna of only 10 feet shorter wire antennas as well as shunt or notch antennas may also be tuned with additional hardware

bendix king khf 950 hf transceiver install manual - Mar 30 2022

web this item is king khf 950 hf transceiver install manual we answer questions and will provide many detailed photos email us altimeters charter net or altimeters att net the items are as they come from the closed airplane stores we acquire this item is used equipment and we are selling this item untested w

system installation manual fcc id search - Jun 13 2023

web system description a basic bendix king khf 950 hf ssb communication system consists of three individual units kcu 951 control unit kac 952 power amplifier antenna coupler and the ktr 953 receiver exciter a kfs 594 miniature control unit with ka 594 bus adapter may be used in place of the kcu 951 control unit

bendixking avionics autopilots transponders - Apr 11 2023

web bendixking avionics autopilots transponders

khf 950 manual vdocuments site - Mar 10 2023

web apr 14 2015 nkfh 950 hf ssb system installation manual revision history khf 950 hf ssb system installation manual 23 20 03 part number rev date description 006 05389 0000 0 feb 1994 original issue

installation manuals aircraftmaintenancemanuals com - Dec 07 2022

web bendix king khf 950 hf ssb communication system installation manual 006 05389 0002 25 95 bendix king khf 950 hf ssb bendix king ki 202 203 204 206 207 installation manual 006 00137 0005 v2002 18 95 bendix king ki 202 203 204 206 207 bendix king ki 300 ki 300 electronic attitude indicator installation manual pin

aeroelectric com - Sep 04 2022

web created date 7 6 2000 2 21 36 pm

bendix king khf 950 hf ssb communication system installation manual - Nov 06 2022

web description installation manual for khf 950 hf ssb communication system manual number 006 05389 0002 revision 2 april 2006 has 244 pages

bendix king khf 950 installation manual issuu - Oct 05 2022

web sep 20 2017 get bendix king khf 950 installation manual pdf file for free from our online library bendix king khf 950 installation manual fhlpwphonjy pdf 55 pages 286 55 kb 13 dec 2014

khf 950 manual pdf high frequency electrical connector - May 12 2023

web khf 950 hf ssb system installation manual the system is capable of operating in a channel frequency preset mode or a direct frequency mode a micro computer within the system provides the following functions controls the non volatile storage of frequency mode and channel data

bendix king khf 950 installation manual issuu - Feb 26 2022

web jul 6 2017 get bendix king khf 950 installation manual pdf file for free from our online library related files for bendix king khf 950 installation manual pdf pdf bendix king khf 950 installation manual

bendixking ktr 953 seaerospace com - Apr 30 2022

web sep 11 2023 receiver exciter unit for use with khf 950 hf system used in conjunction with kac 952 antenna coupler either kcu 951 or kfs 594 controls provides direct access to frequencies from 2 to 30 mhz 280 000 frequencies models available with selective calling selcal capability to relieve background noise during flight see table

aviation forum avionics bendix king khf 950 hf system - Jul 02 2022

web jan 16 2009 aviation forum aircraftbargains com forum avionics re avionics bendix king khf 950 hf system avionics bendix king khf 950 hf system last post 01 15 2009 8 44 pm by rmc avionics 4 replies

downloads manuals bendixking - Aug 15 2023

web installation manual 2020 05 08 ki 208 ki 209 navigation indicators installation manual ki 208 ki 209 ki 209a ki 209a vor loc ind w gps display w ar vor loc gs ind cv vor loc gs ind w gps display 006 00140 0004

bendix king khf 950 installation manual bespoke cityam - Jan 28 2022

web fast and simple manual frequency tuning and easy to install the versatile khf 950 is bendix king khf 950 installation manual pdf 6e82591bb71883afb8e45dafef5998c4 bendix king

bendixking khf 990 user manual 202 pages also for kfs - Jan 08 2023

web additional khf 950 installation options khf 990 remote units single khf 990 system configuration section iii operating the khf 950 990 khf 950 990 general operating information preflight inspection antenna tuning fault indication tuning faults khf 950 990 controls general kcu 1051 control display unit operation kcu 1051 general

bendix king khf 950 installation manual - Dec 27 2021

web bendix king khf 950 installation manual richard a 25 jul crankyfrank member 992 items it s easy add the manuals search extension and never lose a manual again 9 442 views 17 458 17k find your user manual here and now the 1 user manuals

search service bob 06 apr

romance stories mr cold the heartbreaker wattpad - Nov 03 2021

web sep 20 2023 canberra police have made a breakthrough in a 24 year old cold case murder act police said the 67 year old man was arrested this morning in melbourne

mr cold 2 the tamer for the heartbreaker studocu - May 09 2022

web 2 days ago new jersey democratic sen bob menendez was charged on friday with corruption related offenses for the second time in 10 years menendez and his wife

mr cold the heartbreaker chapter 3 wattpad - May 21 2023

web mr cold the heartbreaker join group about this group private only members can see who s in the group and what they post visible anyone can find this group general

mrcoldtheheartbreaker cyberlab sutd edu sg - Nov 15 2022

web mr cold the heartbreaker is easy to get to in our digital library an online entrance to it is set as public as a result you can download it instantly our digital library saves in merged

sen bob menendez and wife indicted on bribery charges doj - Mar 07 2022

web mr cold 2 the tamer for the heartbreaker yung nababalita noon na kalahating ahas na nakatira sa mall at nangunguha ng tao view more university title the tamer for

mr heart 1 bölüm izle dizifon - Jun 29 2021

mr cold the heartbreaker carousell - Aug 12 2022

web jan 26 2014 mr cold the heartbreaker by mars valena 4 39 rating details 372 ratings 11 reviews paul kurt mendoza first year college engineering student he has no

mr cold the heartbreaker volume 2 by mars valena - Jun 22 2023

web read chapter 3 from the story mr cold the heartbreaker by marsbc mars with 177 730 reads teenfiction college chapter 3 hindi ko na napigilan ang paghik

mr cold the heartbreaker uniport edu ng - Jul 31 2021

mr cold the heartbreaker youtube - Feb 18 2023

web 4shared is a perfect place to store your pictures documents videos and files so you can share them with friends family and the world claim your free 15gb now

mr cold the heartbreaker prologue pinterest - Apr 08 2022

web mr cold the heartbreaker prologue p 1 of 1 mr cold the heartbreaker 2016 tv movie sinelebreph mr cold the heartbreaker 2016 sinepinoy net watch mr cold the

mr cold 2 the tamer for the heartbreaker pdf - Mar 19 2023

web find books like mr cold the heartbreaker from the world s largest community of readers goodreads members who liked mr cold the heartbreaker also l

soğuk kalp cold heart 2001 türkçe dublaj youtube - Oct 02 2021

web mr cold the heartbreaker 2 12 downloaded from uniport edu ng on march 22 2023 by guest with the best thrillers i have ever read bite was a gripping entertaining read

mr cold 2 the tamer for the heartbreaker studocu - Jan 05 2022

web read mr cold the heartbreaker from the story romance stories by julianacrisna168 juliana with 6 081 reads jejehan peacingin author marsvalena

mr cold by mars valena goodreads - Jun 10 2022

web dec 8 2012 read prologue from the story mr cold the heartbreaker by marsbc mars with 639 046 reads college teenfiction as i experienced love i actually learned

books similar to mr cold the heartbreaker goodreads - Jan 17 2023

web heartbreaker feb 11 2022 the love between a daughter and her mother and the dark secrets they keep from each other are at the heart of this wildly imaginative novel that

mr cold the heartbreaker chapter 1 wattpad - Jul 23 2023

web read chapter 1 from the story mr cold the heartbreaker by marsbc mars with 339 715 reads college teenfiction chapter 1 man arrested in melbourne over the 1999 cold case murder of - Sep 01 2021

web 35 516 mr heart 1 bölüm izle yayınlanan tanıtım filmi ile dikkatleri çekmeyi başaraan dizi mr heart 1 bölüm tek part türkçe altyazılı olarak dizifonda

filipino movie latest 2016 mr cold the heartbreaker 2016 - Jul 11 2022

web bsce baldo 18 from what i can see mr m is an expert in both art history and art criticism bsce baldo 12 from what i can see mr m is an expert in both art history and art

mr cold the heartbreaker secure4 khronos - Feb 06 2022

web sep 19 2023 sept 19 2023 the allegation was a bombshell that india had been involved in the killing of a canadian citizen on canadian soil in june canada s prime minister

mr cold the heartbreaker facebook - Apr 20 2023

web share your videos with friends family and the world

weebly - Oct 14 2022

web buy mr cold the heartbreaker in makati city philippines read only once has slight flaws get great deals on storybooks chat to buy

mr cold the heartbreaker pdf - Sep 13 2022

web dec 29 2016 about press copyright contact us creators advertise developers terms privacy policy safety how youtube works test new features nfl sunday ticket

what s behind canada and india s diplomatic tension the - Dec 04 2021

web oct 24 2019 İmdb imdb com title tt0276868 İletİŞİM facebook com trkorkucudayi

mr cold the heartbreaker 4shared com free file sharing and - Dec 16 2022

web weebly

mr cold the heartbreaker mars wattpad - Aug 24 2023

web oct 21 2011 paul kurt mendoza first year college engineering student he has no mercy when it comes to girls well he doesn t care about other s feelings know the reason