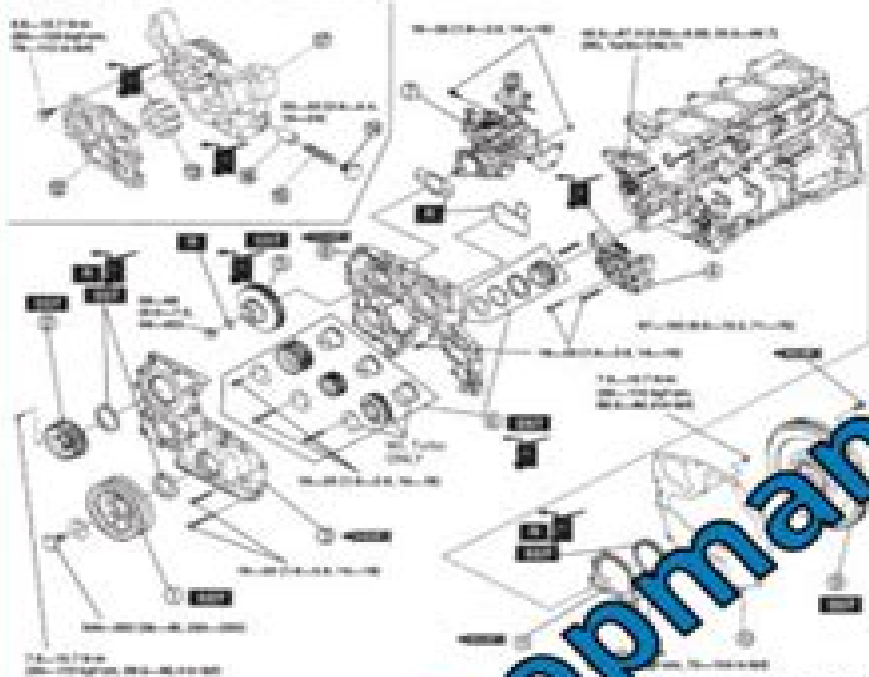


Mazda B-Series 1998-2006 Workshop Manual

CYLINDER BLOCK DISASSEMBLY/ASSEMBLY (2)

- Disassemble in the order shown in the figure.
- Assemble in the reverse order of disassembly.



1	Crankshaft pulley	Disassembly Note	Assembly Note
2	PIP pulley	Disassembly Note	Assembly Note
3	Timing gear cover	Disassembly Note	Assembly Note
4	Oil strainer	Disassembly Note	Assembly Note
5	Oil pan	Disassembly Note	Assembly Note
6	Timing gear	Disassembly Note	Assembly Note
7	PIP gear	Disassembly Note	Assembly Note
8	Oil pump	Disassembly Note	Assembly Note

9	Oil pan gasket	Disassembly Note	Assembly Note
10	Oil pan	Disassembly Note	Assembly Note
11	Oil pump cover	Disassembly Note	Assembly Note
12	Oil pump	Disassembly Note	Assembly Note
13	Oil pan gasket	Disassembly Note	Assembly Note
14	Oil pan	Disassembly Note	Assembly Note
15	Oil pump cover	Disassembly Note	Assembly Note
16	Oil pump	Disassembly Note	Assembly Note
17	Oil pan gasket	Disassembly Note	Assembly Note

Crankshaft Pulley Disassembly Note

- Remove the crankshaft pulley by using the SST.



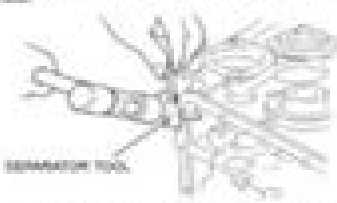
PIP Pulley Disassembly Note

- Remove the PIP pulley by using the SST.



Timing Gear Cover Disassembly Note

- Remove the timing gear cover by using a separator tool.



- Remove the oil seal by using a screwdriver provided with a rag.



PIP Gear Disassembly Note

- Set the No. 1 cylinder to compression TDC.
- Rotate the flywheel ring gear from TDC to approximately 90° BTDC (about 10 teeth on the gear).

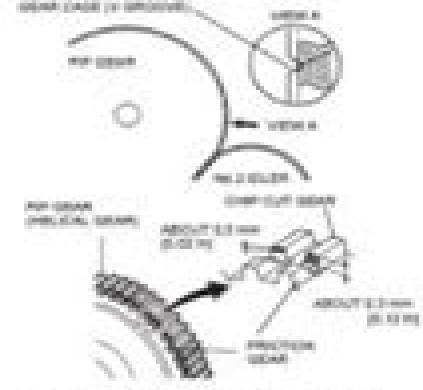
**PDF
DOWNLOAD**

- Verify that the end gear (7) groove of the timing gear cover and the slip-out gear of the PIP gear are aligned.

Note

- If the slip-out gear is hard to find, move the PIP gear on both back and forth, then check the slip-out gear.

STEP CASE (3) (OPTION)



- Hold the crankshaft by using the SST and loosen the gear nut.



- Remove the PIP gear by using the SST.

CONTINUED

CONTINUED

Manual Mazda B16

Clifford Lane



Manual Mazda B16:

Manual Mazda B16 Book Review: Unveiling the Power of Words

In a world driven by information and connectivity, the power of words has become much more evident than ever. They have the capability to inspire, provoke, and ignite change. Such is the essence of the book **Manual Mazda B16**, a literary masterpiece that delves deep into the significance of words and their impact on our lives. Published by a renowned author, this captivating work takes readers on a transformative journey, unraveling the secrets and potential behind every word. In this review, we shall explore the book's key themes, examine its writing style, and analyze its overall effect on readers.

<http://www.armchairempire.com/book/scholarship/Documents/materi%20dasar%20engine%20caterpillar.pdf>

Table of Contents Manual Mazda B16

1. Understanding the eBook Manual Mazda B16
 - The Rise of Digital Reading Manual Mazda B16
 - Advantages of eBooks Over Traditional Books
2. Identifying Manual Mazda B16
 - Exploring Different Genres
 - Considering Fiction vs. Non-Fiction
 - Determining Your Reading Goals
3. Choosing the Right eBook Platform
 - Popular eBook Platforms
 - Features to Look for in an eBook Platform
 - User-Friendly Interface
4. Exploring eBook Recommendations from Manual Mazda B16
 - Personalized Recommendations
 - Manual Mazda B16 User Reviews and Ratings
 - Manual Mazda B16 and Bestseller Lists
5. Accessing Manual Mazda B16 Free and Paid eBooks

- Manual Mazda B16 Public Domain eBooks
 - Manual Mazda B16 eBook Subscription Services
 - Manual Mazda B16 Budget-Friendly Options
6. Navigating Manual Mazda B16 eBook Formats
 - ePub, PDF, MOBI, and More
 - Manual Mazda B16 Compatibility with Devices
 - Manual Mazda B16 Enhanced eBook Features
 7. Enhancing Your Reading Experience
 - Adjustable Fonts and Text Sizes of Manual Mazda B16
 - Highlighting and Note-Taking Manual Mazda B16
 - Interactive Elements Manual Mazda B16
 8. Staying Engaged with Manual Mazda B16
 - Joining Online Reading Communities
 - Participating in Virtual Book Clubs
 - Following Authors and Publishers Manual Mazda B16
 9. Balancing eBooks and Physical Books Manual Mazda B16
 - Benefits of a Digital Library
 - Creating a Diverse Reading Collection Manual Mazda B16
 10. Overcoming Reading Challenges
 - Dealing with Digital Eye Strain
 - Minimizing Distractions
 - Managing Screen Time
 11. Cultivating a Reading Routine Manual Mazda B16
 - Setting Reading Goals Manual Mazda B16
 - Carving Out Dedicated Reading Time
 12. Sourcing Reliable Information of Manual Mazda B16
 - Fact-Checking eBook Content of Manual Mazda B16
 - Distinguishing Credible Sources
 13. Promoting Lifelong Learning
 - Utilizing eBooks for Skill Development

- Exploring Educational eBooks
14. Embracing eBook Trends
- Integration of Multimedia Elements
 - Interactive and Gamified eBooks

Manual Mazda B16 Introduction

Manual Mazda B16 Offers over 60,000 free eBooks, including many classics that are in the public domain. Open Library: Provides access to over 1 million free eBooks, including classic literature and contemporary works. Manual Mazda B16 Offers a vast collection of books, some of which are available for free as PDF downloads, particularly older books in the public domain. Manual Mazda B16 : This website hosts a vast collection of scientific articles, books, and textbooks. While it operates in a legal gray area due to copyright issues, its a popular resource for finding various publications. Internet Archive for Manual Mazda B16 : Has an extensive collection of digital content, including books, articles, videos, and more. It has a massive library of free downloadable books. Free-eBooks Manual Mazda B16 Offers a diverse range of free eBooks across various genres. Manual Mazda B16 Focuses mainly on educational books, textbooks, and business books. It offers free PDF downloads for educational purposes. Manual Mazda B16 Provides a large selection of free eBooks in different genres, which are available for download in various formats, including PDF. Finding specific Manual Mazda B16, especially related to Manual Mazda B16, might be challenging as theyre often artistic creations rather than practical blueprints. However, you can explore the following steps to search for or create your own Online Searches: Look for websites, forums, or blogs dedicated to Manual Mazda B16, Sometimes enthusiasts share their designs or concepts in PDF format. Books and Magazines Some Manual Mazda B16 books or magazines might include. Look for these in online stores or libraries. Remember that while Manual Mazda B16, sharing copyrighted material without permission is not legal. Always ensure youre either creating your own or obtaining them from legitimate sources that allow sharing and downloading. Library Check if your local library offers eBook lending services. Many libraries have digital catalogs where you can borrow Manual Mazda B16 eBooks for free, including popular titles. Online Retailers: Websites like Amazon, Google Books, or Apple Books often sell eBooks. Sometimes, authors or publishers offer promotions or free periods for certain books. Authors Website Occasionally, authors provide excerpts or short stories for free on their websites. While this might not be the Manual Mazda B16 full book , it can give you a taste of the authors writing style. Subscription Services Platforms like Kindle Unlimited or Scribd offer subscription-based access to a wide range of Manual Mazda B16 eBooks, including some popular titles.

FAQs About Manual Mazda B16 Books

1. Where can I buy Manual Mazda B16 books? Bookstores: Physical bookstores like Barnes & Noble, Waterstones, and independent local stores. Online Retailers: Amazon, Book Depository, and various online bookstores offer a wide range of books in physical and digital formats.
2. What are the different book formats available? Hardcover: Sturdy and durable, usually more expensive. Paperback: Cheaper, lighter, and more portable than hardcovers. E-books: Digital books available for e-readers like Kindle or software like Apple Books, Kindle, and Google Play Books.
3. How do I choose a Manual Mazda B16 book to read? Genres: Consider the genre you enjoy (fiction, non-fiction, mystery, sci-fi, etc.). Recommendations: Ask friends, join book clubs, or explore online reviews and recommendations. Author: If you like a particular author, you might enjoy more of their work.
4. How do I take care of Manual Mazda B16 books? Storage: Keep them away from direct sunlight and in a dry environment. Handling: Avoid folding pages, use bookmarks, and handle them with clean hands. Cleaning: Gently dust the covers and pages occasionally.
5. Can I borrow books without buying them? Public Libraries: Local libraries offer a wide range of books for borrowing. Book Swaps: Community book exchanges or online platforms where people exchange books.
6. How can I track my reading progress or manage my book collection? Book Tracking Apps: Goodreads, LibraryThing, and Book Catalogue are popular apps for tracking your reading progress and managing book collections. Spreadsheets: You can create your own spreadsheet to track books read, ratings, and other details.
7. What are Manual Mazda B16 audiobooks, and where can I find them? Audiobooks: Audio recordings of books, perfect for listening while commuting or multitasking. Platforms: Audible, LibriVox, and Google Play Books offer a wide selection of audiobooks.
8. How do I support authors or the book industry? Buy Books: Purchase books from authors or independent bookstores. Reviews: Leave reviews on platforms like Goodreads or Amazon. Promotion: Share your favorite books on social media or recommend them to friends.
9. Are there book clubs or reading communities I can join? Local Clubs: Check for local book clubs in libraries or community centers. Online Communities: Platforms like Goodreads have virtual book clubs and discussion groups.
10. Can I read Manual Mazda B16 books for free? Public Domain Books: Many classic books are available for free as they're in the public domain. Free E-books: Some websites offer free e-books legally, like Project Gutenberg or Open Library.

Find Manual Mazda B16 :

materi dasar engine caterpillar

matching capital letters to lowercase letters

matai the gospel according to matthew navia 2 matai matthew navia book 1

masterworks of the world literature

masters of wisdom of central asia

maths lab manual laxmi publications

maths teacher jobs london

mathematics for economics hoy livernois

math and meds for nurses

math mtel study guide

mathematical theory of plasticity

math differential equations solutions manual

math comprehensive test for 6th grade

mathbits trig applications box 4

mathematical modeling and scale up of liquid chromatography with application examples

Manual Mazda B16 :

solution manual operations management 13th edition william j - Mar 27 2023

operations management textbook solutions for ebk operations management 14th edition stevenson and others in this series

view step by step homework solutions for your

solution manual for operations management 12th edition by - Oct 22 2022

solution manual operations management 11th edition stevenson uploaded by nikhil wadhvani 0 0 february 2020 pdf txt

bookmark this document was uploaded by user

operations management by stevenson solution manual download - Apr 15 2022

operations management stevenson 10th edition solution manual remove circle share this collection 2017 volkswagen golf

owner s manual wellington w 05 may operations

solution operations management stevenson university of port - Jun 17 2022

jan 27 2014 operations management by stevenson solution manual download palm pre 2 users manual manual of navy

officer manpower and personnel classifications vol 1

operations management 13th edition solutions course hero - Apr 27 2023

solution manual of mechanics of machinery mahmoud a mostafa 4 00 out of 5 150 00 17 00 the material in this download free operations management william j stevenson

operations management stevenson 14th edition ppt fill online - Dec 12 2021

management access all of the textbook solutions and explanations for stevenson s operations management 14th edition

solution manual for operations management 13th edition by - May 17 2022

mar 24 2022 apr 12 2017 04 17 aug 9 2020 08 20 operations management by stevenson solution manual download beogram cd 3500 manual h22 rebuild manual 3com

operations management 13th edition solutions and answers - Sep 01 2023

operations strategy is narrower in scope dealing primarily with the operations aspect of the organization operations strategy must be consistent with organization strategy and deals

solution manual operations management 12th edition by william - Dec 24 2022

solution manual for operations management 12th edition by william j stevenson 978 0078024108 isbn 10 0078024102 type solution manual □□□□□□ format word zip all

stevenson 6ce ism chapter 03 chapter 3 forecasting - Sep 20 2022

may 27 2023 solution manual for operations management 14th edition stevenson all chapters 1 19 full complete 2023 100 satisfaction guarantee immediately available after

solution manual operations management 11th edition stevenson - Aug 20 2022

solution operations management stevenson this is likewise one of the factors by obtaining the soft documents of this solution operations management stevenson by online you

operations management by stevenson solution manual download - Mar 15 2022

nov 2 2023 centralized operations management cop320 centralize your operations breakout session whatever stage you are at in your process of moving to or operating in the

pdf operations management 12th edition solutions manual - Jun 29 2023

subject management access all of the textbook solutions and explanations for stevenson s operations management 13th edition

operations management stevenson 13th edition all - Feb 23 2023

aug 30 2018 1 introduction to operations management 2 competitiveness strategy and productivity 3 forecasting 4 product and service design supplement reliability 5 strategic

know before you go aws re invent 2023 monitoring and - Jan 13 2022

solution manual operations management 11th edition stevenson university polytechnic university of the philippines course bachelor of science in business administration bsba

[solution manual for operations management 14th edition](#) - Jul 19 2022

the term operations management relates to the management of systems or processes that create goods and or provide services these processes involve the planning coordination

download operations management by w j stevenson 11th ed - Nov 22 2022

operation managementim preview text chapter 3 forecasting teaching notes this is a fairly long chapter so you may want to be selective about the topics covered i tend to focus

ebk operations management 14th edition textbook - Jan 25 2023

download operations management by w j stevenson 11th ed type pdf txt date october 2019 size 7 1mb author subir chakrabarty solution manual operations management

[solution manual operations management 11th edition stevenson](#) - May 29 2023

mgmt2026 production and operations management full file at solution manual operations management 13th edition william j stevenson complete

solution manual operations management 11th edition stevenson - Nov 10 2021

operations management stevenson 10th edition solution manual - Feb 11 2022

operations management 9th edition by heizer solution manual answer key operations management 11th edition by stevenson solutions 0073525251 isbn13 9780073525259

operations management 14th edition solutions course hero - Oct 10 2021

operations management 12th edition solutions and - Jul 31 2023

full file at testbank360 solution manual operations management 11th edition stevenson toc xx lecture suggestions chapter 5 example 3 breakeven analysis 1 select the example 3

operations management 14th edition solutions and - Oct 02 2023

now with expert verified solutions from operations management 13th edition you ll learn how to solve your toughest homework problems our resource for operations management

scr spr words teaching resources teachers pay teachers tpt - Jul 02 2022

web spr words str words scr multisyllabic words spl words st words str word cards the words scr blends cl words squ words

scr worksheet scr blend consonant blends shr

[the str spr scr sounds songs videos games activities](#) - Jun 01 2022

web by nfilonovich 1r 3 letter blends str scr spr find the match by reneeegiglia 2 5 sort str scr spl spr group sort by

tutoringwithjamie sort 38 triple r blends scr str

[str spr blends teaching resources wordwall](#) - Apr 11 2023

web triple consonant blends str scr spl random wheel by kpauline sort 38 triple r blends scr str spr group sort by lesnichaya1

triple r blends scr str spr anagram by

spr board game teacher made twinkl - Feb 09 2023

web spelling scr squ str and thr words wordsearch by axn1413 wilson 2 5 find words with 3 letter blends spr spl str scr

whack a mole by kmorgan2 wilson spanish words

spelling scr str and spr words by laura manning prezi - Mar 30 2022

web 2997 results for str spr skr str spr skr skw spl 3 consonant blend words random wheel by mdarst g1 g2 g3 g4 g5

articulation reading speech language

scr blends teaching resources wordwall - Nov 06 2022

web the str spr scr sounds videos and songs to help first grade kids learn how to pronounce the 3 letter consonant blends str

spr scr str shr spl thr learn words

triple r blends games scr str spr within word - Dec 07 2022

web over 90 different scr spr and str patterns help children organize and classify words so that relationships among words

can be seen over 90 different words that contain scr

[spr and str teaching resources wordwall](#) - Nov 25 2021

scr str teaching resources wordwall - Jan 08 2023

web this is is a word sort center for words with triple consonant blends the words in this center are scr spl str spr and some

oddball words there are 5 bags of

spr scr spl str teaching resources wordwall - May 12 2023

web sort 38 triple r blends scr str spr group sort by lesnichaya1 triple r blends scr str spr anagram by dtrikoulis 3 letter

blends str spr scr gameshow quiz by scrater6

spr teaching resources wordwall - Apr 30 2022

web triple r blends scr spr str flip tiles by juliemansius scr spr str shr picture sort categorize by lfriverside 2 5 sort str scr spl

spr group sort by tutoringwithjamie

scr str spr teaching resources wordwall - Aug 15 2023

web creator stacey bernal visibility public category articulation phonology material type game board target ages early childhood primary intermediate tags str spr scr

str spr scr matching game teaching resources wordwall - Dec 27 2021

spr str teaching resources wordwall - Oct 05 2022

web 3 4 spr anagrams scr spl spr str spr str open the box spr blend scr spr spl str blends trigraph blends scr spr str spr complexity approach community spr

scr words teaching resources wordwall - Sep 04 2022

web dec 11 2011 stripe struck strict strap they begin with an str blend can you think of other words with this pattern string street strong how are these three words the same

scr spr str worksheets teaching resources teachers pay - Aug 03 2022

web these scr str spr triple r blends games for beginning and ending complex consonants make word study more engaging for our students in the within word

consonant blends scr spl spr str word list and - Jun 13 2023

web 10000 results for scr and spr words scr spl spr str categorize by bvelasquez4892 g1 scr spr spl str blends group sort by nancy139 trigraph blends scr spr str flip tiles

18 top scr words teaching resources curated for you - Jan 28 2022

scr words teaching resources tpt - Feb 26 2022

str spr scr blends game lessonpix - Jul 14 2023

web 3189 results for spr scr spl str scr spl spr str categorize by bvelasquez4892 g1 scr spr spl str blends group sort by nancy139 spr scr str spl thr random wheel by

scr and spr words teaching resources wordwall - Mar 10 2023

web 2987 results for spr str scr spl spr str categorize by bvelasquez4892 g1 spr str open the box open the box by lkwdenison phonics trigraph blends scr spr str flip tiles by

str spr skr teaching resources wordwall - Oct 25 2021

r package wikipedia - Dec 08 2022

web r packages are extensions to the r statistical programming language r packages contain code data and documentation in a standardised collection format that can be installed by users of r typically via a centralised software repository such as cran the comprehensive r archive network

r packages 2e introduction - Aug 04 2022

web in r the fundamental unit of shareable code is the package a package bundles together code data documentation and tests and is easy to share with others as of march 2023 there were over 19 000 packages available on the comprehensive r archive network or cran the public clearing house for r packages this huge variety of packages is

r 4 3 1 for windows the comprehensive r archive network - Feb 27 2022

web the r project for statistical computing r 4 3 1 for windows download r 4 3 1 for windows 79 megabytes 64 bit readme on the windows binary distribution new features in this version this build requires ucrt which is part of windows since windows 10 and windows server 2016 on older systems ucrt has to be installed manually

tidyverse - Jan 09 2023

web the tidyverse is an opinionated collection of r packages designed for data science all packages share an underlying design philosophy grammar and data structures install the complete tidyverse with `install.packages("tidyverse")`

cran package easy packages the comprehensive r archive - Oct 06 2022

web easily load and install multiple packages from different sources including cran and github the `libraries` function allows you to load or attach multiple packages in the same function call the `packages` function will load one or more packages and install any packages that are not installed on your system after prompting you also included is a

cran contributed packages the comprehensive r archive - Jul 15 2023

web currently the cran package repository features 19861 available packages table of available packages sorted by date of publication table of available packages sorted by name cran task views aim to provide some guidance which packages on cran are relevant for tasks related to a certain topic

posit popular packages for open source data science - Jan 29 2022

web `ggplot2` `ggplot2` is an enhanced data visualization package for r create stunning multi layered graphics with ease explore `ggplot2` `dplyr` `dplyr` is the next iteration of `plyr` focussing on only data frames `dplyr` is faster and has a more consistent api explore `dplyr` `tidyr` `tidyr` makes it easy to tidy your data

10 popular best r packages for data science analysis - Jul 03 2022

web learn about different packages in r used for data science including how to load them and different resources you can use to advance your skills with them r is the most popular language for data science there are many packages and

search all 27 135 r packages on cran and bioconductor - Jun 14 2023

web easily search the documentation for every version of every r package on cran and bioconductor
[r the r project for statistical computing](#) - Feb 10 2023

web mar 15 2023 r is a free software environment for statistical computing and graphics it compiles and runs on a wide variety of unix platforms windows and macos to download r please choose your preferred cran mirror

15 essential packages in r for data science r bloggers - Mar 31 2022

web apr 15 2021 r provides a diverse range of packages and more than 10 000 packages in the cran repository this will help to resolve almost all the data science problems in the research and business fields repeated measures

[cran packages by name the comprehensive r archive network](#) - Aug 16 2023

web available cran packages by name abcdefghijklmnopqrstuvwxyz a3 accurate adaptable and accessible error metrics for predictive models aalenjohansen conditional aalen johansen estimation aatools reliability and scoring routines for the approach avoidance task abacus

r packages 2e - May 13 2023

web packages are the fundamental units of reproducible r code they include reusable r functions the documentation that describes how to use them and sample data in this book you ll learn how to turn your code into packages that others can easily download and use

quick list of useful r packages posit support - Dec 28 2021

web recommended packages many useful r function come in packages free libraries of code written by r s active user community to install an r package open an r session and type at the command line install packages the package s name r will download the package from cran so you ll need to be connected to the internet

r package documentation - Mar 11 2023

web r forge packages 85727 github packages find an r package run r code online over 19 000 packages are preinstalled browse r language docs recently updated packages topr create custom plots for viewing genetic association results mazamalocationutils manage spatial metadata for known locations warbler streamline bioacoustic analysis

the comprehensive r archive network - Apr 12 2023

web jun 16 2023 download and install r precompiled binary distributions of the base system and contributed packages windows and mac users most likely want one of these versions of r download r for linux debian fedora redhat ubuntu download r for macos download r for windows

install packages function rdocumentation - Nov 07 2022

web details this is the main function to install packages it takes a vector of names and a destination library downloads the packages from the repositories and installs them if the library is omitted it defaults to the first directory in libpaths with a

message if there is more than one

r manuals an introduction to r 13 packages github pages - Sep 05 2022

web standard packages contributed packages and cran namespaces 13 packages all r functions and datasets are stored in packages only when a package is loaded are its contents available

r what is r the r project for statistical computing - May 01 2022

web r can be extended easily via packages there are about eight packages supplied with the r distribution and many more are available through the cran family of internet sites covering a very wide range of modern statistics

r packages tutorial how to download install r packages - Jun 02 2022

web the basics of r packages what are packages and why should you incorporate their use into your r experience where can you find packages the installation and usage how do you install r packages from cran cran mirrors bioconductor or github