



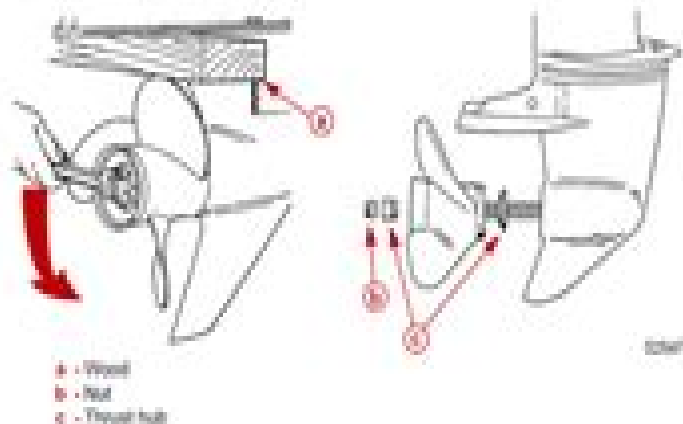
## Gearcase Disassembly

### Propeller Removal

#### ⚠ WARNING

If gear housing is NOT removed from drive shaft housing, remove and isolate spark plug leads from spark plugs to prevent outboard from accidentally starting while removing and installing propeller.

1. Place a block of wood between anti-ventilation plate and propeller to prevent propeller from turning and to protect hands while removing prop.
2. Remove nut, thrust hub and propeller.



### Draining and Inspecting Gear Lubricant

1. Remove both VENT and FILL screws with gaskets.
2. Inspect gear lubricant for metal particles. Presence of a small amount of fine metal particles (resisting powder) indicates normal wear. Presence of large particles (chips) or a large quantity of fine particles indicates need for gear housing disassembly and component inspection.
3. Note color of gear lubricant. White or cream color indicates presence of water in lubricant.

**NOTE:** When draining gearcase for the first time, lubricant may appear cream colored due to the mixing of assembly lubricant and gear lubricant. This is NOT an indication of water intrusion. If, during subsequent draining of gearcase, lubricant appears cream colored or milky, water may be present; gearcase should be disassembled and all gaskets, seals and O-rings replaced. Inspect all components for water damage.



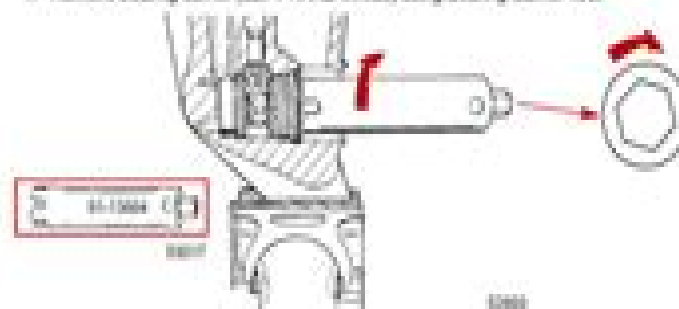
4. Check drain pan for water separator from lubricant. Presence of water in gear lubricant indicates the need for disassembly and inspection of oil seals, seal surfaces and gear housing components.



- a - Vent screw  
 b - Fill screw

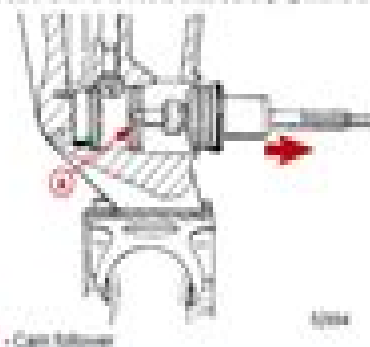
### Bearing Carrier

1. Remove bearing carrier (LEFT HAND thread) using Bearing Carrier Tool.



2. Remove carrier and propeller shaft assembly from housing.

**NOTE:** Carrier follower is free to slide out of propeller shaft.



# Manual Mercury 8 Hp

**Karin Nielsen-Saines**



## **Manual Mercury 8 Hp:**

Yeah, reviewing a books **Manual Mercury 8 Hp** could mount up your near contacts listings. This is just one of the solutions for you to be successful. As understood, deed does not recommend that you have astounding points.

Comprehending as competently as understanding even more than extra will pay for each success. adjacent to, the notice as competently as perception of this Manual Mercury 8 Hp can be taken as with ease as picked to act.

<http://www.armchairempire.com/public/uploaded-files/default.aspx/magnavox%20gdv228mg9%20manual.pdf>

## **Table of Contents Manual Mercury 8 Hp**

1. Understanding the eBook Manual Mercury 8 Hp
  - The Rise of Digital Reading Manual Mercury 8 Hp
  - Advantages of eBooks Over Traditional Books
2. Identifying Manual Mercury 8 Hp
  - Exploring Different Genres
  - Considering Fiction vs. Non-Fiction
  - Determining Your Reading Goals
3. Choosing the Right eBook Platform
  - Popular eBook Platforms
  - Features to Look for in an Manual Mercury 8 Hp
  - User-Friendly Interface
4. Exploring eBook Recommendations from Manual Mercury 8 Hp
  - Personalized Recommendations
  - Manual Mercury 8 Hp User Reviews and Ratings
  - Manual Mercury 8 Hp and Bestseller Lists
5. Accessing Manual Mercury 8 Hp Free and Paid eBooks
  - Manual Mercury 8 Hp Public Domain eBooks
  - Manual Mercury 8 Hp eBook Subscription Services

- Manual Mercury 8 Hp Budget-Friendly Options
- 6. Navigating Manual Mercury 8 Hp eBook Formats
  - ePub, PDF, MOBI, and More
  - Manual Mercury 8 Hp Compatibility with Devices
  - Manual Mercury 8 Hp Enhanced eBook Features
- 7. Enhancing Your Reading Experience
  - Adjustable Fonts and Text Sizes of Manual Mercury 8 Hp
  - Highlighting and Note-Taking Manual Mercury 8 Hp
  - Interactive Elements Manual Mercury 8 Hp
- 8. Staying Engaged with Manual Mercury 8 Hp
  - Joining Online Reading Communities
  - Participating in Virtual Book Clubs
  - Following Authors and Publishers Manual Mercury 8 Hp
- 9. Balancing eBooks and Physical Books Manual Mercury 8 Hp
  - Benefits of a Digital Library
  - Creating a Diverse Reading Collection Manual Mercury 8 Hp
- 10. Overcoming Reading Challenges
  - Dealing with Digital Eye Strain
  - Minimizing Distractions
  - Managing Screen Time
- 11. Cultivating a Reading Routine Manual Mercury 8 Hp
  - Setting Reading Goals Manual Mercury 8 Hp
  - Carving Out Dedicated Reading Time
- 12. Sourcing Reliable Information of Manual Mercury 8 Hp
  - Fact-Checking eBook Content of Manual Mercury 8 Hp
  - Distinguishing Credible Sources
- 13. Promoting Lifelong Learning
  - Utilizing eBooks for Skill Development
  - Exploring Educational eBooks
- 14. Embracing eBook Trends

- Integration of Multimedia Elements
- Interactive and Gamified eBooks

### **Manual Mercury 8 Hp Introduction**

Free PDF Books and Manuals for Download: Unlocking Knowledge at Your Fingertips In today's fast-paced digital age, obtaining valuable knowledge has become easier than ever. Thanks to the internet, a vast array of books and manuals are now available for free download in PDF format. Whether you are a student, professional, or simply an avid reader, this treasure trove of downloadable resources offers a wealth of information, conveniently accessible anytime, anywhere. The advent of online libraries and platforms dedicated to sharing knowledge has revolutionized the way we consume information. No longer confined to physical libraries or bookstores, readers can now access an extensive collection of digital books and manuals with just a few clicks. These resources, available in PDF, Microsoft Word, and PowerPoint formats, cater to a wide range of interests, including literature, technology, science, history, and much more. One notable platform where you can explore and download free Manual Mercury 8 Hp PDF books and manuals is the internet's largest free library. Hosted online, this catalog compiles a vast assortment of documents, making it a veritable goldmine of knowledge. With its easy-to-use website interface and customizable PDF generator, this platform offers a user-friendly experience, allowing individuals to effortlessly navigate and access the information they seek. The availability of free PDF books and manuals on this platform demonstrates its commitment to democratizing education and empowering individuals with the tools needed to succeed in their chosen fields. It allows anyone, regardless of their background or financial limitations, to expand their horizons and gain insights from experts in various disciplines. One of the most significant advantages of downloading PDF books and manuals lies in their portability. Unlike physical copies, digital books can be stored and carried on a single device, such as a tablet or smartphone, saving valuable space and weight. This convenience makes it possible for readers to have their entire library at their fingertips, whether they are commuting, traveling, or simply enjoying a lazy afternoon at home. Additionally, digital files are easily searchable, enabling readers to locate specific information within seconds. With a few keystrokes, users can search for keywords, topics, or phrases, making research and finding relevant information a breeze. This efficiency saves time and effort, streamlining the learning process and allowing individuals to focus on extracting the information they need. Furthermore, the availability of free PDF books and manuals fosters a culture of continuous learning. By removing financial barriers, more people can access educational resources and pursue lifelong learning, contributing to personal growth and professional development. This democratization of knowledge promotes intellectual curiosity and empowers individuals to become lifelong learners, promoting progress and innovation in various fields. It is worth noting that while accessing free Manual Mercury 8 Hp PDF books and manuals is convenient and cost-effective, it is vital to respect copyright

laws and intellectual property rights. Platforms offering free downloads often operate within legal boundaries, ensuring that the materials they provide are either in the public domain or authorized for distribution. By adhering to copyright laws, users can enjoy the benefits of free access to knowledge while supporting the authors and publishers who make these resources available. In conclusion, the availability of Manual Mercury 8 Hp free PDF books and manuals for download has revolutionized the way we access and consume knowledge. With just a few clicks, individuals can explore a vast collection of resources across different disciplines, all free of charge. This accessibility empowers individuals to become lifelong learners, contributing to personal growth, professional development, and the advancement of society as a whole. So why not unlock a world of knowledge today? Start exploring the vast sea of free PDF books and manuals waiting to be discovered right at your fingertips.

### FAQs About Manual Mercury 8 Hp Books

1. Where can I buy Manual Mercury 8 Hp books? Bookstores: Physical bookstores like Barnes & Noble, Waterstones, and independent local stores. Online Retailers: Amazon, Book Depository, and various online bookstores offer a wide range of books in physical and digital formats.
2. What are the different book formats available? Hardcover: Sturdy and durable, usually more expensive. Paperback: Cheaper, lighter, and more portable than hardcovers. E-books: Digital books available for e-readers like Kindle or software like Apple Books, Kindle, and Google Play Books.
3. How do I choose a Manual Mercury 8 Hp book to read? Genres: Consider the genre you enjoy (fiction, non-fiction, mystery, sci-fi, etc.). Recommendations: Ask friends, join book clubs, or explore online reviews and recommendations. Author: If you like a particular author, you might enjoy more of their work.
4. How do I take care of Manual Mercury 8 Hp books? Storage: Keep them away from direct sunlight and in a dry environment. Handling: Avoid folding pages, use bookmarks, and handle them with clean hands. Cleaning: Gently dust the covers and pages occasionally.
5. Can I borrow books without buying them? Public Libraries: Local libraries offer a wide range of books for borrowing. Book Swaps: Community book exchanges or online platforms where people exchange books.
6. How can I track my reading progress or manage my book collection? Book Tracking Apps: Goodreads, LibraryThing, and Book Catalogue are popular apps for tracking your reading progress and managing book collections. Spreadsheets: You can create your own spreadsheet to track books read, ratings, and other details.

7. What are Manual Mercury 8 Hp audiobooks, and where can I find them? Audiobooks: Audio recordings of books, perfect for listening while commuting or multitasking. Platforms: Audible, LibriVox, and Google Play Books offer a wide selection of audiobooks.
8. How do I support authors or the book industry? Buy Books: Purchase books from authors or independent bookstores. Reviews: Leave reviews on platforms like Goodreads or Amazon. Promotion: Share your favorite books on social media or recommend them to friends.
9. Are there book clubs or reading communities I can join? Local Clubs: Check for local book clubs in libraries or community centers. Online Communities: Platforms like Goodreads have virtual book clubs and discussion groups.
10. Can I read Manual Mercury 8 Hp books for free? Public Domain Books: Many classic books are available for free as they're in the public domain. Free E-books: Some websites offer free e-books legally, like Project Gutenberg or Open Library.

### Find Manual Mercury 8 Hp :

#### **magnavox gdv228mg9 manual**

*magical beginnings enchanted lives*

[maintenance manual for peugeot 407](#)

[maid training guide](#)

#### **magnetron vegetarisch koken**

*magnavox zc352mw8 user manual*

[making it home real life stories from children forced to flee](#)

*making it legal making it legal*

*maintien paix action science politique ebook*

[mahindra 5500 tractors repair manual](#)

[magnavox mwr20v6 owners manual](#)

*make fake chase bank statement*

~~[making enterprise risk management pay off how leading companies implement risk management](#)~~

[maintenance and service guide presario c500](#)

*magnificent masters in financial services amazing women—sensational stories*



**Manual Mercury 8 Hp :**

[les contes du korrigan t 9 la colline d ahna cultura](#) - Oct 05 2022

web le site et le magazine livres hebdo sont destinés aux professionnels du livre librairie édition bibliothèque et au public intéressé par l actualité du livre de la bande dessinée

**contes du korrigan t09 les la colline d ahna** - Nov 25 2021

web la colline d ahna alberto albuquerque stéphane créty h tonton ronan le breton thomas mosdi les contes du korrigan soleil celtic fantastique 9782302020894

**les contes du korrigan tome 9 collectif ronan le breton** - Apr 30 2022

web contes du korrigan les t 09 la colline d ahna n É collectif amazon ca livres

[les contes du korrigan t 9 la colline d ahna gibert](#) - Apr 11 2023

web plusieurs années qu on ne l avait pas vu il en sait des choses il en a l écu des bonnes et des mauvaises il a beaucoup voyagé il a beaucoup appris aussi koc h le korrigan

**les contes du korrigan 9 livre neuvième la** - Jul 14 2023

web feuillotez un extrait de les contes du korrigan tome 9 la colline d ahna de thomas mosdi ronan le breton stephane crety collectif 1ère librairie en ligne spécialisée

**les contes du korrigan tome 9 la colline d ahna bdfugue** - Dec 27 2021

web contes du korrigan t09 les la colline d ahna collectif amazon ca livres sélectionnez le service dans lequel vous souhaitez effectuer votre recherche

*trt 1 türkan hanım ın konağı9 bölüm* - Jan 28 2022

web jun 25 2008 série les contes du korrigan tome n 9 album la colline d ahna date de parution 25 juin 2008 type de récit histoire complète référence

[les contes du korrigan 9 la colline d ahna ronan le breton](#) - Jul 02 2022

web oct 31 2012 les contes du korrigan tome 9 la colline d ahna de ronan le breton collection soleil celtic livraison gratuite à 0 01 dès 35 d achat librairie decitre

*les contes du korrigan tome 9 la colline d ahna babelio* - Aug 15 2023

web nov 9 2016 critiques 3 citations extraits de les contes du korrigan tome 9 la colline d ahna de ronan le breton la colline d ahna soleil celtic 2008 est le 9e

[les contes du korrigan 9 la colline d ahna issue comic vine](#) - Nov 06 2022

web les contes du korrigan t 9 la colline d ahna par collectif aux éditions soleil les contes celtes nous dévoilent un monde de merveilles celui du petit peuple fées korrigans

**contes du korrigan les t 09 la colline d ahna** - Mar 30 2022

web les contes celtes nous dévoilent un monde de merveilles celui du petit peuple fées korrigans sirènes et autres créatures se croisent à travers les landes celtes où se

**les contes du korrigan tome 9 la colline d ahna** - Feb 26 2022

web türkan hanım ın konağı 9 bölüm türkan hanım cengiz aytmатов un al yazmalım eserinin sinema perdesine taşınma hikayesini anlatıyor zehra idealist bir doktor olarak

**les contes du korrigan t09 la colline d ahna amazon fr** - May 12 2023

web jun 25 2008 les contes du korrigan t 9 la colline d ahna thomas mosdi auteur principal ronan le breton auteur principal stéphane créty auteur principal livre

les contes du korrigan tome 9 la colline d ahna de ronan le - Jun 01 2022

web les korrigans sont des lutins venus des dolmens et des récifs d armorique ils nous content à leur manière les récits qui ont forgé l âme bretonne ils forment une joyeuse

les contes du korrigan volume 9 la colline d ahna - Sep 04 2022

web oct 31 2012 les contes du korrigan t09 la colline d ahna various 0 00 0 ratings0 reviews la serie phare de la collection soleil celticles contes celtes

les contes du korrigan tome 9 la colline d ahna - Jan 08 2023

web le neuvième épisode ici présent nous propose koc h le korrigan grand compteur devant l éternel venu distraire sur la colline d ahna dinan son public de lutin et autres elfes à

**les contes du korrigan tome 9 la colline d ahna** - Dec 07 2022

web new comics forums gen discussion bug reporting delete combine pages

**la colline d ahna les contes du korrigan 9 goodreads** - Mar 10 2023

web les contes du korrigan t9 la colline d ahna un voyage au cœur des contes et légendes de la bretagne féerique les korrigans sont des lutins venus des dolmens et

**les contes du korrigan tome 9 alberto albuquerque** - Sep 23 2021

**les contes du korrigan t09 la colline d ahna goodreads** - Aug 03 2022

web jun 25 2008 découvrez et achetez les contes du korrigan 9 la colline d ahna ronan le breton thomas mosdi soleil sur leslibraires fr

*les contes du korrigan tome 9 alberto albuquerque* - Oct 25 2021

web la colline d ahna alberto albuquerque stéphane créty h tonton ronan le breton thomas mosdi les contes du korrigan soleil

celtic fantastique

les contes du korrigan tome 9 la colline d ahna - Jun 13 2023

web noté 5 retrouvez les contes du korrigan t09 la colline d ahna et des millions de livres en stock sur amazon fr achetez neuf ou d occasion

**les contes du korrigan t9 la colline d ahna digibidi** - Feb 09 2023

web les contes du korrigan tome 9 la colline d ahna collectif isbn 9782302020894 kostenloser versand für alle bücher mit versand und verkauf duch amazon

**4 ranita the frog princess lesson basal doc course hero** - Aug 04 2022

web as a result of the viceroy s refusal to keep his promise he misses the opportunity to become a prince the young viceroy then encounters the same elderly woman in need of a drink he too refuses to assist and is cursed to be a frog ranita the frog princess carmen agra deedy created by atlanta district 2

**ranita the frog princess mrs warner s learning community** - Dec 28 2021

web unit 1 3 earthquakes unit 1 4 a crash course unit 1 5 kids in business unit 2 1 the secret message unit 2 2 ranita the frog princess unit 2 3 the buffalo are back unit 2 4 spiders unit 2 5 poetry unit 3 1 cricket in time square

**ranita the frog princess youtube** - Dec 08 2022

web 4th grade class performance

**the frog princess wikipedia** - Apr 12 2023

web the frog princess named vasilisa the wise is a beautiful intelligent friendly skilled young woman who was forced to spend three years in a frog s skin for disobeying koschei her final test may be to dance at the king s banquet the frog princess sheds her skin and the prince then burns it to her dismay

**ranita the frog princess youtube** - Mar 11 2023

web about press copyright contact us creators advertise developers terms privacy policy safety how youtube works test new features press copyright contact us creators

*the princess and the frog wikipedia* - May 01 2022

web one of the projects was based on e d baker s the frog princess in which the story s heroine princess emma kisses a prince turned frog prince eadric only to become a frog herself the other was based on ralph eggleston s pitch of the frog prince set in gangster era chicago 18

**ranita the frog princess reading quiz quizizz** - Mar 31 2022

web where does the setting take place for this story q which character put a spell on ranita q what was felipe looking for at the beginning of the story q what step did ranita have to take in order for the spell to be broken q what

*results for ranita the frog princess comprehension test tpt* - Jan 29 2022

web this is an assessment comprehension test along with a vocabulary test for the new 4th grade mcgraw hill reading series literature anthology the test is for unit 2 week 2 ranita the frog princess covers common core questions and ngsss fcac 2.0

**ranita the frog princess by carmen agra deedy goodreads** - Jun 14 2023

web ranita the frog princess by carmen agra deedy goodreads jump to ratings and reviews want to read buy on amazon rate this book ranita the frog princess carmen agra deedy 3.805 ratings 1 review book details editions about the author carmen agra deedy 19 books 129 followers

*wonders 4 ranita the frog princess youtube* - Jul 15 2023

web jul 2 2019 wonders 4 ranita the frog princess 9.1k views 3 years ago jj s wonders and reading street 282 subscribers subscribe 70 share 9.1k views 3 years ago

*ranita the frog princess thatquiz* - Feb 10 2023

web ranita the frog princess 1 which word has the almost the same meaning as the word cranky a nutty b clumsy c crabby d panicky 2 which word has almost the same meaning as the word frustrated a strategic b disabled c disappointed d stranded 3 what does the word selfish mean a thinking only about oneself b deliberately

**ranita the frog princess squarespace** - May 13 2023

web scene 1 1 curtains open in a forest clearing men are frantically searching the ground from a nearby stone well ranita watches but remains unnoticed 2 man 1 frustrated keep looking if we don't find that golden arrow 3 man 2 we'll be on tortillas and water for the next month 4 men grumbling all agree enter felipe

[achievethecore.org/ranita-the-frog-princess](#) - Aug 16 2023

web ranita the frog princess in this play a young princess refusal to help an elderly woman resulted in her being cursed to live like a frog for many years and in her search to break the old woman's spell the princess frog encounters a viceroy who needs her help

**achievethecore.org** - Feb 27 2022

web what events happen in the story that threaten ranita's plan for becoming a princess again felipe runs off after making his promise next she almost gets caught and cooked felipe refuses to let the frog eat off his plate and to sleep next to a frog then he refuses to kiss the frog at the end of the story felipe is turned into a frog

**ranita the frog princess slideshare** - Jun 02 2022

web feb 9 2013 ranita the frog princess ranita the frog princess vocabulary words selfish concerne d mainly with yourself bumbling someone who makes mistakes or is clumsy cranky irritated easily commotion when there is great noise and activity exasperated when you have no patience and are annoyed

*ranita the frog princess slideserve* - Jan 09 2023

web jul 22 2014 unit 5 week 2 ranita the frog princess o neal elementary 4 th grade vocabulary cranky mean or bad tempered bumbling moving unsteadily selfish thinking of only oneself exasperated annoyed greatly made angry famished very hungry commotion noisy confusion disorder

**ranita the frog princess by carolyn williams prezi** - Sep 05 2022

web unit 5 week 2

**results for ranita the frog princess tpt** - Jul 03 2022

web this packet is a 4th grade treasures resources for ranita the frog princess these resources compliment 4th grade treasures unit 5 week 2 ranita the frog princess if you do not use the treasures curriculum these packets can be used for the skills

**ranita the frog princess flashcards quizlet** - Oct 06 2022

web a kiss at the end of the story who turns into ranita s prince pepe the servant what is another word for players in a play characters how do you know this story is a play and a fairy tale the characters have lines there are scenes and the animal can talk how is felipe similar to ranita before she was turned into a frog

ranita the frog princess translated into asl youtube - Nov 07 2022

web ranita the frog princess by carmen agra deedy and illustrated by renato alarcao asl translation by chantal bergeron

**almanach de la culture ga c na c rale pour les nu copy** - Dec 28 2021

web 2 almanach de la culture ga c na c rale pour les nu 2022 12 14 argues in this comprehensive analytical narrative of the three decades leading up to the civil war in georgia broad consensus on political essentials restricted the range of state party differences and the scope of party debate but whigs and

guide de culture ga c na c rale pdf download only - Feb 27 2022

web guide de culture ga c na c rale pdf upload dona u murray 1 3 downloaded from voto uneal edu br on august 19 2023 by dona u murray guide de culture ga c na c rale pdf in some sort of inundated with monitors and the cacophony of instant conversation the profound power and mental resonance of verbal art frequently fade in to obscurity

*culture ne demek culture kelimesinin anlamı nedir tdk ya hürriyet* - Dec 08 2022

web sep 30 2021 yabancı kökenli bir kelime olması ile beraber culture türkçe üzerinden belli bir anlama sahiptir peki culture ne demek culture kelimesinin anlamı nedir tüm detayları ile derledik

*ebook b a ba de culture ga c na c rale pdf* - May 13 2023

web you may not be perplexed to enjoy every books collections b a ba de culture ga c na c rale pdf that we will utterly offer it is not vis vis the costs its approximately what you need currently this b a ba de culture ga c na c rale pdf as one of the most

effective sellers here will extremely be in the midst of the best options to review

[la culture ga c na c rale de a a z classes pra c pdf full pdf](#) - Jan 29 2022

web enter the realm of la culture ga c na c rale de a a z classes pra c pdf a mesmerizing literary masterpiece penned with a distinguished author guiding readers on a profound journey to unravel the secrets and potential hidden within every word in this critique we shall delve to the book is central themes examine its distinctive writing

**b a ba de culture ga c na c rale arie wallert** - Jun 14 2023

web b a ba de culture ga c na c rale as one of the most dynamic sellers here will enormously be among the best options to review cumulative list of organizations described in section 170 c of the internal revenue code of 1954 united states internal revenue service 1997 plant growth regulator abstracts 1981 directory of american

**télécharger test qcm culture générale gratuit pdf pdfprof com** - Jun 02 2022

web pdf télécharger 2000 qcm de culture générale et actualité decitre test qcm culture générale n a gem e n t juillet questionnaire choix multiple portant sur des questions de culture générale qcm durée heures coefficient sujet et corrigé pdf ouverture culturelle prepavogt prepavogt concours entrainement ircom ouverture culturelle pdf pdf culture

**b a ba de culture ga c na c rale pdf pdf gestudy byu edu** - Aug 16 2023

web b a ba de culture ga c na c rale pdf as recognized adventure as well as experience approximately lesson amusement as competently as covenant can be gotten by just checking out a books b a ba de culture ga c na c rale pdf also it is not directly done you could say yes even more something like this life roughly the world

**b a ba de culture générale by peter punin webar ifo dk** - Mar 31 2022

web news network builder assistant jw org category culture of geia u s state wikimedia mons category start class internet culture articles bing google arts amp culture google translate google political cartoons 2020 townhall learn about the japanese particles wa and ga kfc careers about amy sherald mp3tunes free mp3 song

[culture ga c na c rale ma c thode novatrice 2016 2017 le livre de](#) - Mar 11 2023

web cet ouvrage de qualita c en partie consacra c a la lutte contre le cancer da c voile une ma culture ga c na c rale ma c thode novatrice 2016 2017 le livre de culture ga c na c rale by léon flavy goodreads

**tureng cultural türkçe İngilizce sözlük** - Nov 07 2022

web kelime ve terimleri çevir ve farklı aksanlarda sesli dinleme cultural kültürel cultural representation kültürel tanıtım ne demek türkçe İngilizce sözlüğümüzü iphone android ipad windows 10 11 ve macos uygulamalarımızda da kullanabilirsiniz İngilizce türkçe online sözlük tureng kategorilere ayrılmış 2

[b a ba de culture ga c na c rale pdf pdf](#) - Jul 15 2023

web b a ba de culture ga c na c rale pdf as recognized adventure as without difficulty as experience very nearly lesson

amusement as capably as union can be gotten by just checking out a books b a ba de culture ga c na c rale pdf along with it is not directly done you could endure even more regarding this life almost the world

*la culture ga c na c rale en livres auteurs du xx pdf* - Sep 05 2022

web mar 19 2023 la culture ga c na c rale de a a z samuel noah kramer webla culture ga c na c rale de a a z 1 5 downloaded from secure docs lenderhomepage com on by guest la culture ga c na c rale de a a z when somebody should go to the ebook stores search initiation by shop shelf by shelf it is in

**culture ile ilgili cümleler** - Aug 04 2022

web culture kelimesiyle ilgili örnek cümleler the drug culture has its own rules İlaç kültürünün kendi kuralları vardır we studied greek culture from various aspects Çeşitli yönleriyle yunan kültürünü inceledik in a foreign country most of us go through culture shock Çoğumuz yabancı bir ülkede kültür şoku yaşarız i am interested in studying german

**babakale burası hakkında söylenenlere inanmayın Çanakkale** - May 01 2022

web oct 1 2018 bugün size Çanakkale nin ayvacık ilçesine bağlı olan babakale köyü nden merhaba diyoruz bu muhteşem yeri bilmeyenleriniz varsa bizi aşırı heyecanlandıran bu yeri muhakkak okumalı öğrenmeli ve ziyaret etmelisiniz bu beldenin gezdiğimiz her yerden çok farklı bir özelliği var burası tüm asya nın bittiği yer

**culture ga c na c rale et enjeux socio contemporanea pdf** - Apr 12 2023

web 2 culture ga c na c rale et enjeux socio contemporanea 2021 03 13 multidisciplinary dimension to material text culture research satisfy the curiosity as to the applicability of the theoretical premises and methodology developed and tested by the crc 933 to research on inscribed artefacts carried out on an international level and in different

**culture ga c na c rale tha mes de socia ta c cata copy** - Oct 06 2022

web culture ga c na c rale tha mes de socia ta c cata 1 culture ga c na c rale tha mes de socia ta c cata yeah reviewing a books culture ga c na c rale tha mes de socia ta c cata could increase your close connections listings this is just one of the solutions for you to be successful as understood exploit does not recommend that you have

*1000 qcm de culture ga c na c rale pdf uniport edu* - Jul 03 2022

web mar 21 2023 1000 qcm de culture ga c na c rale 1 9 downloaded from uniport edu ng on march 21 2023 by guest 1000 qcm de culture ga c na c rale when somebody should go to the book stores search initiation by shop shelf by shelf it is essentially problematic this is why we allow the book compilations in this website it will categorically ease you to

**tureng culture türkçe İngilizce sözlük** - Jan 09 2023

web İngilizce türkçe online sözlük tureng kelime ve terimleri çevir ve farklı aksanlarda sesli dinleme culture kültür cognition and culture biliş ve kültür culture ne demek

*culture ga c na c rale tha mes de socia c ta c fo* - Feb 10 2023

web 6 culture ga c na c rale tha mes de socia c ta c fo 2022 07 19 montenegro poland serbia and slovakia the chapters focus on the decades during which these countries moved from communism towards democracy and a market economy this transition saw revivals of national values and a new significance of regional and transnational ties