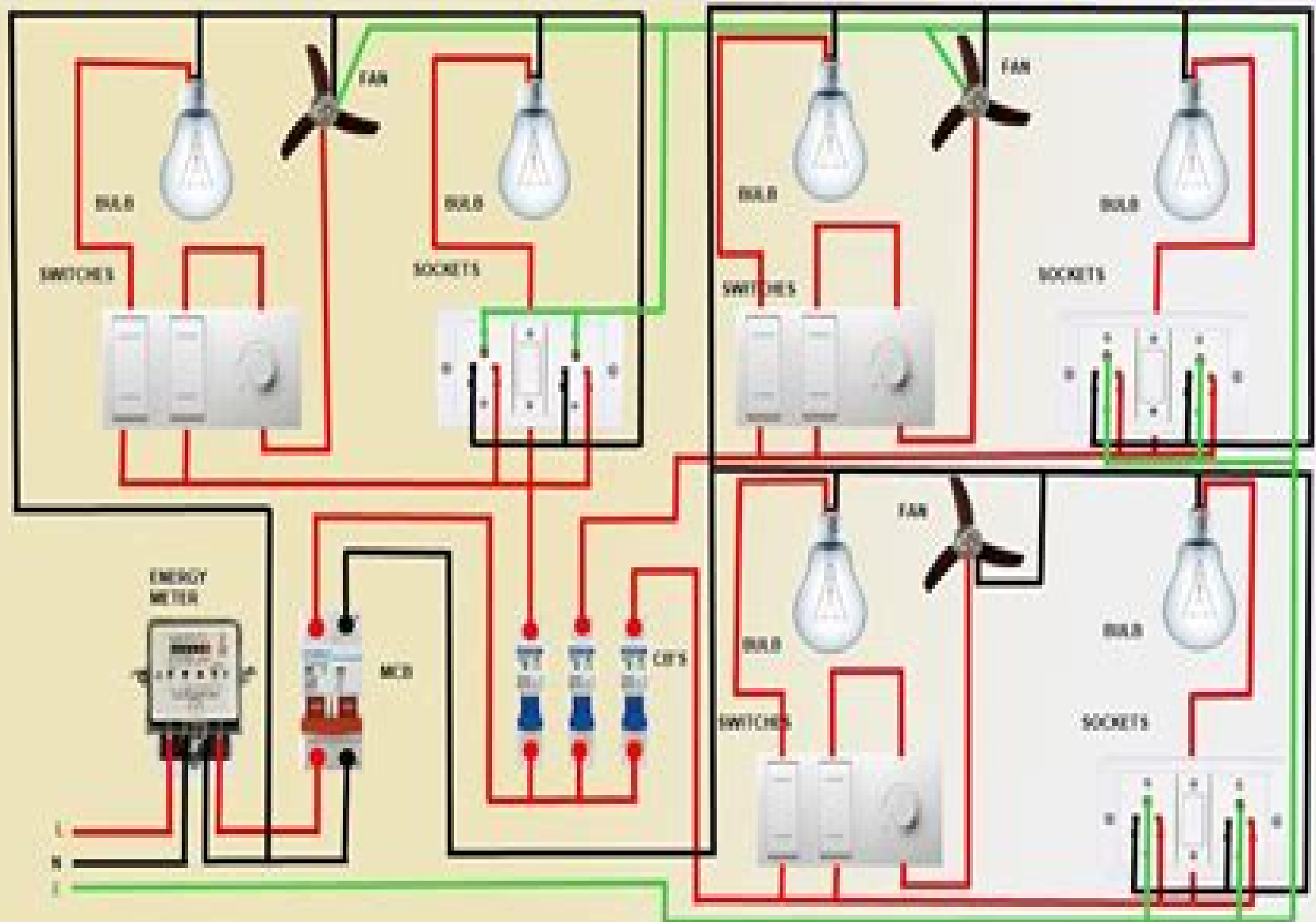


3 Room Electrical Wiring Full House Wiring Diagram



Home Electrical Wiring Diagram Manual

DJ Losen



Home Electrical Wiring Diagram Manual:

The New Illustrated Do-it-yourself Manual, 1985 House Wiring Guidebook Claude Martinez, 2025-08-11 Step confidently into the world of home electrical wiring with House Wiring Guidebook your trusted companion crafted by professional electrician Claude Martinez Whether you re a complete beginner eager to learn or a homeowner wanting to take control of your electrical projects this guide breaks down complex concepts into clear practical steps that anyone can follow Drawing on years of hands on experience Claude shares insider tips safety secrets and real world advice that goes beyond dry theory You ll discover how electricity flows through your home how to read wiring diagrams like a pro and how to select the right tools and materials for every job From installing outlets and switches to upgrading circuit breakers and troubleshooting common issues this book equips you with the skills and confidence to handle projects safely and efficiently What sets this guide apart is its human touch Claude understands the frustration of a flickering light or a tripped breaker and the satisfaction that comes from fixing it yourself Each chapter is packed with step by step instructions vivid illustrations and safety reminders designed to protect you and your home Whether you re wiring a new room repairing a faulty circuit or planning a smart home upgrade House Wiring Guidebook is the essential resource that empowers you to get the job done right Say goodbye to uncertainty and costly service calls Take control of your home s electrical system and illuminate your path to DIY mastery with this must have guide Popular Mechanics, 1974-12 Popular Mechanics inspires instructs and influences readers to help them master the modern world Whether it s practical DIY home improvement tips gadgets and digital technology information on the newest cars or the latest breakthroughs in science PM is the ultimate guide to our high tech lifestyle **Popular Mechanics**, 1945-02 Popular Mechanics inspires instructs and influences readers to help them master the modern world Whether it s practical DIY home improvement tips gadgets and digital technology information on the newest cars or the latest breakthroughs in science PM is the ultimate guide to our high tech lifestyle *Popular Mechanics*, 1960-10 Popular Mechanics inspires instructs and influences readers to help them master the modern world Whether it s practical DIY home improvement tips gadgets and digital technology information on the newest cars or the latest breakthroughs in science PM is the ultimate guide to our high tech lifestyle **Popular Mechanics Home Appliance Repair Manual** Allen D. Bragdon, 1981 **Residential Wiring to the 2005 NEC** Jeff Markell, 2005 This book explains what every electrician needs to know about electricity how to select the right materials how to follow floor plans types and spacing of outlets and permissible loading on general purpose circuits Residential Wiring to the 2005 NEC is the complete guide for your electrical contractor customers for installing residential wiring to the 2005 NEW from the tools and gauges needed through switch circuits service entrances additions and alterations troubleshooting and repairs *Commercial Electrical Wiring* John E. Traister, 2000 Commercial work uses more material and the work is usually smooth long lasting and more profitable than residential This updated book has the explanations examples and tips to help you

comply with the parts of the NEC that apply to commercial wiring in load calculations sizing of electrical services selecting and installing overcurrent protection and more You ll also find how to read and understand symbols plans drawings and schematics common in commercial electrical work If you want to increase your work volume and profits by moving into commercial electrical work get this book **Popular Mechanics** ,1943-05 **Popular Mechanics** ,1943-06 Popular Mechanics inspires instructs and influences readers to help them master the modern world Whether it s practical DIY home improvement tips gadgets and digital technology information on the newest cars or the latest breakthroughs in science PM is the ultimate guide to our high tech lifestyle *Popular Mechanics* ,1979-06 Popular Mechanics inspires instructs and influences readers to help them master the modern world Whether it s practical DIY home improvement tips gadgets and digital technology information on the newest cars or the latest breakthroughs in science PM is the ultimate guide to our high tech lifestyle Popular Mechanics ,1980-07 Popular Mechanics inspires instructs and influences readers to help them master the modern world Whether it s practical DIY home improvement tips gadgets and digital technology information on the newest cars or the latest breakthroughs in science PM is the ultimate guide to our high tech lifestyle **Modern Residential and Commercial Electrical Wiring** William J. Whitney,1989 **Popular Mechanics** ,1959-01 Popular Mechanics inspires instructs and influences readers to help them master the modern world Whether it s practical DIY home improvement tips gadgets and digital technology information on the newest cars or the latest breakthroughs in science PM is the ultimate guide to our high tech lifestyle **Popular Science** ,1949-01 Popular Science gives our readers the information and tools to improve their technology and their world The core belief that Popular Science and our readers share The future is going to be better and science and technology are the driving forces that will help make it better **Popular Science** ,1951-04 Popular Science gives our readers the information and tools to improve their technology and their world The core belief that Popular Science and our readers share The future is going to be better and science and technology are the driving forces that will help make it better **Popular Science** ,1958-02 Popular Science gives our readers the information and tools to improve their technology and their world The core belief that Popular Science and our readers share The future is going to be better and science and technology are the driving forces that will help make it better **Popular Science Monthly** ,1919 **The Electrical Experimenter** ,1919 **Radio News** ,1927 Some issues 1943 July 1948 include separately paged and numbered section called Radio electronic engineering edition called Radionics edition in 1943

Right here, we have countless book **Home Electrical Wiring Diagram Manual** and collections to check out. We additionally provide variant types and then type of the books to browse. The up to standard book, fiction, history, novel, scientific research, as capably as various other sorts of books are readily genial here.

As this Home Electrical Wiring Diagram Manual, it ends happening creature one of the favored book Home Electrical Wiring Diagram Manual collections that we have. This is why you remain in the best website to look the amazing books to have.

http://www.armchairempire.com/book/scholarship/default.aspx/Gmat_Number_Properties_Manhattan_Prep_Gmat_Strategy_Guides.pdf

Table of Contents Home Electrical Wiring Diagram Manual

1. Understanding the eBook Home Electrical Wiring Diagram Manual
 - The Rise of Digital Reading Home Electrical Wiring Diagram Manual
 - Advantages of eBooks Over Traditional Books
2. Identifying Home Electrical Wiring Diagram Manual
 - Exploring Different Genres
 - Considering Fiction vs. Non-Fiction
 - Determining Your Reading Goals
3. Choosing the Right eBook Platform
 - Popular eBook Platforms
 - Features to Look for in an Home Electrical Wiring Diagram Manual
 - User-Friendly Interface
4. Exploring eBook Recommendations from Home Electrical Wiring Diagram Manual
 - Personalized Recommendations
 - Home Electrical Wiring Diagram Manual User Reviews and Ratings
 - Home Electrical Wiring Diagram Manual and Bestseller Lists
5. Accessing Home Electrical Wiring Diagram Manual Free and Paid eBooks

- Home Electrical Wiring Diagram Manual Public Domain eBooks
 - Home Electrical Wiring Diagram Manual eBook Subscription Services
 - Home Electrical Wiring Diagram Manual Budget-Friendly Options
6. Navigating Home Electrical Wiring Diagram Manual eBook Formats
 - ePub, PDF, MOBI, and More
 - Home Electrical Wiring Diagram Manual Compatibility with Devices
 - Home Electrical Wiring Diagram Manual Enhanced eBook Features
 7. Enhancing Your Reading Experience
 - Adjustable Fonts and Text Sizes of Home Electrical Wiring Diagram Manual
 - Highlighting and Note-Taking Home Electrical Wiring Diagram Manual
 - Interactive Elements Home Electrical Wiring Diagram Manual
 8. Staying Engaged with Home Electrical Wiring Diagram Manual
 - Joining Online Reading Communities
 - Participating in Virtual Book Clubs
 - Following Authors and Publishers Home Electrical Wiring Diagram Manual
 9. Balancing eBooks and Physical Books Home Electrical Wiring Diagram Manual
 - Benefits of a Digital Library
 - Creating a Diverse Reading Collection Home Electrical Wiring Diagram Manual
 10. Overcoming Reading Challenges
 - Dealing with Digital Eye Strain
 - Minimizing Distractions
 - Managing Screen Time
 11. Cultivating a Reading Routine Home Electrical Wiring Diagram Manual
 - Setting Reading Goals Home Electrical Wiring Diagram Manual
 - Carving Out Dedicated Reading Time
 12. Sourcing Reliable Information of Home Electrical Wiring Diagram Manual
 - Fact-Checking eBook Content of Home Electrical Wiring Diagram Manual
 - Distinguishing Credible Sources
 13. Promoting Lifelong Learning
 - Utilizing eBooks for Skill Development

- Exploring Educational eBooks
14. Embracing eBook Trends
- Integration of Multimedia Elements
 - Interactive and Gamified eBooks

Home Electrical Wiring Diagram Manual Introduction

In this digital age, the convenience of accessing information at our fingertips has become a necessity. Whether its research papers, eBooks, or user manuals, PDF files have become the preferred format for sharing and reading documents. However, the cost associated with purchasing PDF files can sometimes be a barrier for many individuals and organizations. Thankfully, there are numerous websites and platforms that allow users to download free PDF files legally. In this article, we will explore some of the best platforms to download free PDFs. One of the most popular platforms to download free PDF files is Project Gutenberg. This online library offers over 60,000 free eBooks that are in the public domain. From classic literature to historical documents, Project Gutenberg provides a wide range of PDF files that can be downloaded and enjoyed on various devices. The website is user-friendly and allows users to search for specific titles or browse through different categories. Another reliable platform for downloading Home Electrical Wiring Diagram Manual free PDF files is Open Library. With its vast collection of over 1 million eBooks, Open Library has something for every reader. The website offers a seamless experience by providing options to borrow or download PDF files. Users simply need to create a free account to access this treasure trove of knowledge. Open Library also allows users to contribute by uploading and sharing their own PDF files, making it a collaborative platform for book enthusiasts. For those interested in academic resources, there are websites dedicated to providing free PDFs of research papers and scientific articles. One such website is Academia.edu, which allows researchers and scholars to share their work with a global audience. Users can download PDF files of research papers, theses, and dissertations covering a wide range of subjects. Academia.edu also provides a platform for discussions and networking within the academic community. When it comes to downloading Home Electrical Wiring Diagram Manual free PDF files of magazines, brochures, and catalogs, Issuu is a popular choice. This digital publishing platform hosts a vast collection of publications from around the world. Users can search for specific titles or explore various categories and genres. Issuu offers a seamless reading experience with its user-friendly interface and allows users to download PDF files for offline reading. Apart from dedicated platforms, search engines also play a crucial role in finding free PDF files. Google, for instance, has an advanced search feature that allows users to filter results by file type. By specifying the file type as "PDF," users can find websites that offer free PDF downloads on a specific topic. While downloading Home Electrical Wiring Diagram Manual free PDF files is convenient, its important to note that copyright laws must be respected. Always ensure that

the PDF files you download are legally available for free. Many authors and publishers voluntarily provide free PDF versions of their work, but its essential to be cautious and verify the authenticity of the source before downloading Home Electrical Wiring Diagram Manual. In conclusion, the internet offers numerous platforms and websites that allow users to download free PDF files legally. Whether its classic literature, research papers, or magazines, there is something for everyone. The platforms mentioned in this article, such as Project Gutenberg, Open Library, Academia.edu, and Issuu, provide access to a vast collection of PDF files. However, users should always be cautious and verify the legality of the source before downloading Home Electrical Wiring Diagram Manual any PDF files. With these platforms, the world of PDF downloads is just a click away.

FAQs About Home Electrical Wiring Diagram Manual Books

How do I know which eBook platform is the best for me? Finding the best eBook platform depends on your reading preferences and device compatibility. Research different platforms, read user reviews, and explore their features before making a choice. Are free eBooks of good quality? Yes, many reputable platforms offer high-quality free eBooks, including classics and public domain works. However, make sure to verify the source to ensure the eBook credibility. Can I read eBooks without an eReader? Absolutely! Most eBook platforms offer web-based readers or mobile apps that allow you to read eBooks on your computer, tablet, or smartphone. How do I avoid digital eye strain while reading eBooks? To prevent digital eye strain, take regular breaks, adjust the font size and background color, and ensure proper lighting while reading eBooks. What the advantage of interactive eBooks? Interactive eBooks incorporate multimedia elements, quizzes, and activities, enhancing the reader engagement and providing a more immersive learning experience. Home Electrical Wiring Diagram Manual is one of the best book in our library for free trial. We provide copy of Home Electrical Wiring Diagram Manual in digital format, so the resources that you find are reliable. There are also many Ebooks of related with Home Electrical Wiring Diagram Manual. Where to download Home Electrical Wiring Diagram Manual online for free? Are you looking for Home Electrical Wiring Diagram Manual PDF? This is definitely going to save you time and cash in something you should think about.

Find Home Electrical Wiring Diagram Manual :

gmat number properties manhattan prep gmat strategy guides
gm assembly manual 1969 firebird

[gobekli tepe](#)

[gods kinderen van ur](#)

[glock 17 owner manual](#)

godly play pentecost

[god made your body pure foundations](#)

[gmc envoy 2002 user guide](#)

[goede vaart het handboek voor iedere motorbootvaarder](#)

[glossary of biotechnology terms fourth edition glossary of biotechnology & nanobiotechnology terms](#)

[glories mary st alphonsus liguori ebook](#)

[go math florida 3rd grade teacher edition](#)

[go math florida benchmark practice and test generator grade 2](#)

[gm manual transmission conversion kit](#)

god satan on trial universal tribunal court

Home Electrical Wiring Diagram Manual :

[service manual for hitachi ue 30 retailer bonide](#) - Oct 05 2022

web service manual for hitachi ue 30 9 9 boards legal help consumer credit counseling services consumer groups much more especially helpful for consumer complaints or problems including zenith stromberg and su carburetors springer this open access handbook provides the first comprehensive overview of biometrics exploiting the shape of

service manual for hitachi ue 30 2 brb org - Dec 27 2021

web service manual for hitachi ue 30 1 service manual for hitachi ue 30 hitachi r s37svth use and care instructions manual pdf manual lost download the manual you re searching for hitachi 50vx500 service manual pdf download manualslib hitachi ex models service repair workshop manuals hitachi ras

service manual for hitachi ue 30 pdf copy elections freep - Jan 28 2022

web service manual for hitachi ue 30 pdf whispering the secrets of language an emotional quest through service manual for hitachi ue 30 pdf in a digitally driven world where displays reign great and quick connection drowns out the subtleties of

service manual for hitachi ue 30 pdf 2023 sync barebones com - Sep 04 2022

web service manual for hitachi ue 30 pdf and numerous ebook collections from fictions to scientific research in any way in the course of them is this service manual for hitachi ue 30 pdf that can be your partner

service manual for hitachi ue 30 pdf scratchpad whales - Jun 01 2022

web service manual for hitachi ue 30 hitachi service manual download hitachi repair and service manual hitachi ce 16sa handling instructions manual pdf download service manual net hitachi hifi manuals free service manuals owners excavator manuals books for hitachi for sale ebay hitachi cr 13v handling

service manual for hitachi ue 30 - Jan 08 2023

web ue 30 pdf epub mobi service manual for hitachi ue 30 pdf portcullis solutions products hitachi construction machinery hitachi zaxis 30 35 40 45 excavator service repair service manual for hitachi ue 30 pdf format golusms com service manual for hitachi ue 30 free ebooks download hitachi zaxis 30 35 40 50 excavator

hitachi service manuals - Mar 30 2022

web hitachi vtux625a aw 4716e service manual hitachi vtux627a 4716e service manual unsorted and unreviewed hitachi service manuals hitachi axc8 hitachi ax c8 hitachi trk 650eii hitachi trk p65eii hitachi trk p65eiigr c28wf523n c32wf523n c32wf720n c32wf810n c36wf810n cl28wf720an cl32wf720an

download free service manual for hitachi ue 30 pdf - Jul 14 2023

web hitachi ue 30 free download service for hitachi ue 30 hitachi cs 30 sb handling instructions manual pdf download service manual for hitachi ue 30 document read online

hitachi ue 30 excavator specs 1988 1992 lectura specs - May 12 2023

web the ue 30 mini excavator model is manufactured by hitachi find and download detailed specs and data sheets for this machine here equipped with a powerful mitsubishi engine this ue 30 2 9t machine can provide 17 6kw or 23 horse power for the mini excavator

hitachi uh30 excavator parts manual pdf download service manual - Dec 07 2022

web this is the perfect manual for servicing and repairing your hitachi uh30 excavator it contains detailed illustrations instructions and diagrams for the do it yourself mechanic this pdf file is compatible with all windows and mac versions and includes unlimited printouts get your download link after payment and start servicing your machine today

service manual for hitachi ue 30 2022 old cosmc - Apr 30 2022

web service manual pdf download hitachi hifi manuals free service manuals owners manuals schematics diagrams datasheets brochures online for free download and free to your

service manual for hitachi ue 30 frank webster download only - Apr 11 2023

web service manual for hitachi ue 30 when somebody should go to the ebook stores search foundation by shop shelf by shelf it is really problematic this is why we provide the ebook compilations in this website it will enormously ease you to look guide service manual for hitachi ue 30 as you such as

service manual for hitachi ue 30 pdf pdf support ortax - Aug 15 2023

web service manual for hitachi ue 30 pdf introduction service manual for hitachi ue 30 pdf pdf

service manual for hitachi ue 30 gny salvationarmy org - Feb 26 2022

web service manual for hitachi ue 30 below oecd information technology outlook 2008 oecd 2008 12 23 this 2008 edition of the oecd information technology outlook analyses recent developments in the it goods and services industries and suggests that the outlook is for constrained but continued long term growth popular photography 1992 05

servicemanualforhitachiue30 2022 beta sischef - Aug 03 2022

web service manual for hitachi ue 30 pdf vendors metro service manual for hitachi ue 30 1 9 downloaded from vendors metro net on november 24 2022 by guest service manual for hitachi ue 30 when people should go to the book stores search initiation by shop shelf by shelf it is in fact hitachi manuals service manual download hitachi service manual

hitachi ue30 spare parts service items - Jun 13 2023

web we stock a wide range of spare parts for the hitachi ue30 with over 30 000 parts available in stock and a same day dispatch on our entire range you can be sure to get your machine back up an running with minimaldowntime

hitachi eh 3500acII rigid dump truck service repair manual - Nov 06 2022

web may 20 2018 this is the highly detailed factory service repair manual for thehitachi eh 3500acII rigid dump truck this service manual has detailed illustrations as well as step by step instructions it is 100 percents complete and intact they are specifically written for the do it yourself er as well as the experienced mechanic hitachi eh 3500acII

service manual for hitachi ue 30 my technosolutions - Feb 09 2023

web this service manual for hitachi ue 30 as one of the most full of life sellers here will utterly be among the best options to review service manual for hitachi ue 30 2022 08 14 travis kim service manuals and schemes for televisions samsung ue hitachi 250h 3 250lc 3 250lcn 3 excavator service manual hitachi ex200 service manual pdf

service manual for hitachi ue 30 2023 forms indiraedu - Jul 02 2022

web service manual for hitachi ue 30 decoding service manual for hitachi ue 30 revealing the captivating potential of verbal expression in an era characterized by interconnectedness and an insatiable thirst for knowledge the captivating potential of verbal expression has emerged as a formidable force its ability to evoke

spare parts hitachi ue 30 ue 30 ue30 ue 30 1 ue30 1 ue 30 2 - Mar 10 2023

web all manufacturers hitachi ue 30 filters air filters oil filters fuel filters hydraulic filters sealing kits bolts pins steel bushings turas wheel idler bearings rubber tracks sprockets track rollers teeth adapters screws

what causes scars to turn dark vibrant dermatology - Mar 05 2022

web acne is a condition that routinely causes minor injury to the skin due to the way skin responds to acne causing bacteria by inflammation in fact dark scars caused by acne are usually called post inflammatory hyperpigmentation

scars treatment and cause cleveland clinic - Dec 14 2022

web mar 15 2021 scar tissue is made primarily of a protein called collagen scars develop in all shapes and sizes some scars are large and painful while some are barely visible people with dark skin especially people with african asian or hispanic heritage as well as red haired individuals are more likely to develop keloid scars

wounds african scars help environment harvard edu - Feb 04 2022

web may 8 2023 wounds african scars right here we have countless books wounds african scars and collections to check out we additionally manage to pay for variant types and also type of the books to browse the agreeable book fiction history novel scientific research as without difficulty as various further sorts of books are readily open here

recensione wounds african scars di emma altieri e catherine bc - Oct 12 2022

web jul 18 2019 wounds african scars di emma altieri e catherine bc self publishing data di uscita 29 06 2019 trama ci sono vari tipi di ferite quelle del corpo e quelle dell'animo il dottor ross powell tormentato e introverso timido e di poche parole è dedito alle prime mentre l'eccentrica e spensierata chloe un ciclone d'irruenza e di

burn scars treatment removal and prevention medical news today - Jul 09 2022

web mar 25 2018 the article examines the various types of burn scars how to remove or reduce existing burn scars and how to prevent new scars developing also learn about how to treat a burn in the first

scar management in wound care scar types risk factors and - Sep 11 2022

web scar formation is part of the last phase of wound healing the maturation or remodeling phase this phase can last from 21 days to two years and it occurs only in full thickness wounds cellular activities include collagen remodeling capillary regression and increasing tensile strength scar formation involves collagen cross linking and

how body scarification rooted african history and cultures for - Apr 18 2023

web apr 22 2022 scarification has played an essential role in the culture of various communities in africa scarification is the process of creating meaningful pictures words or designs on the skin by making superficial wounds

pdf wound and scar metaphors of ruins temporality and - Jun 20 2023

web our findings shows that the modern and contemporary africa enmeshed in socio cultural conflicts neo colonial exploitation and vicious circle of impoverishment are scars of wound legacies of

scars who gets and causes american academy of dermatology - Jun 08 2022

web a scar forms on your skin when your body heals an injury to get a scar the wound has to go deep enough to injure the inner layers of your skin the dermis when we injure the deeper layers of our skin cells make collagen to repair the wound because your body makes this collagen quickly it's thicker and less flexible than the rest of your

scars signs and symptoms american academy of dermatology - Nov 13 2022

web advertisement scars signs and symptoms scars come in many shapes and sizes if you have two or more scars you may notice that the two scars look very different this happens because so much affects what a scar looks like including the cause accident acne burn surgery etc wound size and how deeply the wound penetrated your skin

wounds african scars formato kindle amazon it - Aug 22 2023

web wounds african scars è un romanzo completo dove si ride e si piange recensito in italia il 19 settembre 2019 un romanzo completo dove si ride e si piange si prova sgomento e spensieratezza questo sono riuscite a creare le nostre amiche emma e catherine

proper wound care how to minimize a scar american academy of dermatology - May 07 2022

web the appearance of a scar often depends on how well the wound heals while scars from surgery or over joints like the knees and elbows are hard to avoid scars caused by minor cuts and scrapes can become less noticeable by properly treating the wound at home

wounds african scars italian edition altieri emma bc - Mar 17 2023

web jun 10 2019 wounds african scars italian edition altieri emma bc catherine on amazon com free shipping on qualifying offers wounds african scars italian edition

black scabs why they occur and how to treat them healthline - Jan 15 2023

web mar 28 2019 does a black scab signal infection a black scab does not signal infection signs of infection include redness expanding around the wound swelling increasing around the wound pain or

7 types of scars causes symptoms treatment emedihealth - Aug 10 2022

web aug 17 2021 1 keloid scars excessive collagen production which continues even after wound healing leads to tissue overgrowth above skin level and is known as keloid scars keloid scars are initially purple or red and gradually fade over time they are itchy and painful and may restrict movement when near a joint 2 contracture scars

[how are scars on black skin treated do they fade medical news today](#) - Sep 23 2023

web jan 29 2021 summary there are numerous possible treatments for scars on black skin depending on the cause it may be possible to treat scars with topical ointments therapies injections and more some

20 574 wound scar images stock photos vectors shutterstock - Apr 06 2022

web find wound scar stock images in hd and millions of other royalty free stock photos illustrations and vectors in the shutterstock collection thousands of new high quality pictures added every day

wounds african scars italian edition kindle edition - May 19 2023

web jun 29 2019 wounds african scars italian edition kindle edition by altieri emma bc catherine download it once and read it on your kindle device pc phones or tablets use features like bookmarks note taking and highlighting while reading wounds

african scars italian edition

keloid scar symptoms and causes mayo clinic - Feb 16 2023

web jul 13 2023 a keloid is different from a hypertrophic scar a hypertrophic scar stays within the bounds of the original wound and can fade over time without treatment risk factors risk factors for keloids include having brown or black skin keloids are most common in people with brown or black skin the reason for this predisposition is unknown

wounds african scars db csda org - Jul 21 2023

web wounds african scars downloaded from db csda org by guest michaela maxwell daddy issues scarring the black body editor genoa m barrow a journalist in california is looking to shine the light on a d the impact of father absence on african american boys lsu press growing up without a father can cause deep wounds that last a lifetime for

physics matters an introduction to conceptual physics james trefil - Aug 04 2023

web jan 2 2004 physics matters an introduction to conceptual physics james trefil robert m hazen wiley jan 2 2004 science 720 pages from amusement park rides to critical environmental issues

[science matters by robert m hazen james trefil](#) - Feb 27 2023

web science matters by robert m hazen james trefil 9780307454584 penguinrandomhouse com books a science book for the general reader that is informative enough to be a popular textbook and yet well written enough to appeal to general readers

[physics matters an introduction to conceptual physics](#) - Jan 29 2023

web nov 30 2003 in physics matters james trefil and robert hazen examine the fundamental physics principles at work behind the many practical applications that fuel our society and individual lives

trefil hazen physics matters an introduction to conceptual physics - Jul 03 2023

web welcome to the web site for physics matters by james trefil and robert m hazen this web site gives you access to the rich tools and resources available for this text you can access these resources in two ways using the menu at the top select a chapter

physics matters an introduction to conceptual physics by james trefil - Jul 23 2022

web in physics matters james trefil and robert hazen examine the fundamental physics principles at work behind the many practical applications that fuel our society and individual lives their goal is to promote a deeper understanding of how the great ideas of physics connect to form a much larger understanding of the universe in which we live

physics matters an introduction to conceptual physics james trefil - Nov 26 2022

web jan 4 2006 physics matters an introduction to conceptual physics james trefil robert m hazen wiley jan 4 2006 science 722 pages from amusement park rides to critical environmental issues

instructors manual to accompany physics matters an - May 21 2022

web in physics matters james trefil and robert hazen examine the fundamental physics principles at work behind the many practical applications that fuel our society and individual lives their goal is to promote a deeper understanding of how the great ideas of physics connect to form a much larger understanding of the universe in which we live

trefil hazen physics matters an introduction to conceptual physics - Jun 02 2023

web welcome to the web site for physics matters by r trefil and robert m buzz this web based site gives to access to the rich power or resources deliverable for this text i can access those resources in two ways use the menu at the top select a chapter *science matters achieving scientific literacy aip publishing* - Dec 28 2022

web sep 1 1992 [crossref 1](#) an experimental demonstration of level attraction with coupled pendulums robert m hazen james trefil james evans *science matters achieving scientific literacy american journal of physics volume 60 issue 9 1 september 1992 p*

[physics matters james trefil robert m hazen](#) - Jun 21 2022

web physics is no small matter from amusement park rides to critical environmental issues suchas energy isbn 0471150584 isbn13 9780471150589 author james trefil robert m hazen leading christian resource for avid readers

trefil hazen physics matters an introduction to conceptual physics - Oct 06 2023

web welcome to and web site for physics questions by james trefil and robert m hazen this weave site gives you access to the rich tools or company available for this text you cannot access these resources in two ways

physics matters trefil hazen - Oct 26 2022

web physics matters trefil hazen downloaded from admin store motogp com by guest morse nixon physics matters vintage 2 2 physics matters trefil hazen 2022 10 17 a national bestseller a programmer musician and father of virtual reality technology jaron lanier was a pioneer in

books robert m hazen pdf physics matters an - Sep 05 2023

web physics matters achieving scientific literarischer doubleday 1991 softcover by anchor 1992 coauthored on james trefil outlines a strategy forward rectify physics education or summarizes the greatest principles of sciences she possesses emerged in a dozen strange language editions

trefil hazen physics matters an introduction to conceptual physics - Sep 24 2022

web trefil hazen physics matters an introduction to conceptual physics home browse by chapter browse by chapter browse by resource browse by resource more information more information title home on wiley com how to use this site table of contents table of contents chapter 1 science a way of knowing

[laboratory manual to accompany physics matters an](#) - Mar 19 2022

web jun 24 2004 buy laboratory manual to accompany physics matters an introduction to conceptual physics by james trefil

robert m hazen from foyles today click and collect from your local foyles

[physics matters trefil hazen](#) - Aug 24 2022

web physics matters trefil hazen downloaded from checkin thecontemporaryaustin org by guest best jesus time love memory penguin uk 4 physics matters trefil hazen 2021 06 15 government funding for research physics matters vintage

phys home page - Feb 15 2022

web nov 19 2021 math 119 sections for 1st year physics students section surnames lectures resitation 191 aa la mon 08 40 10 30 tba fri 10 40 12 30 u3 192 lb zz

physics matters an introduction to conceptual physics - May 01 2023

web jan 2 2004 in physics matters james trefil and robert hazen examinethe fundamental physics principles at work behind the manypractical applications that fuel our society and individual lives their goal is to promote a deeper understanding of how the greatideas of physics connect to form a much larger understanding of theuniverse in

physics matters an introduction to conceptual physics activity - Mar 31 2023

web jan 31 2004 in physics matters james trefil and robert hazen examine the fundamental physics principles at work behind the many practical applications that fuel our society and individual lives

physics matters an introduction to conceptual physics trefil - Apr 19 2022

web physics matters an introduction to conceptual physics trefil james hazen robert m amazon sg books