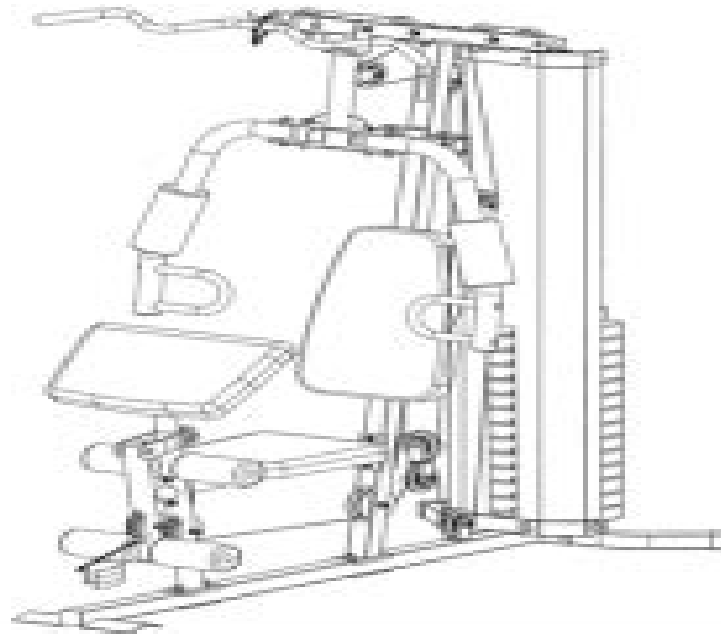


IMPEX

F I T N E S S P R O D U C T S

MARCY® HOME GYM

MWM-988



IMPORTANT: Please read the Important Safety Notice and Assembly Information in the Owner's manual before assembling this product.

Assembly Manual

120711

Marcy Apex Home Gym Instruction Manual

Linda J Morrison



Marcy Apex Home Gym Instruction Manual:

Ignite the flame of optimism with its motivational masterpiece, **Marcy Apex Home Gym Instruction Manual** . In a downloadable PDF format (PDF Size: *), this ebook is a beacon of encouragement. Download now and let the words propel you towards a brighter, more motivated tomorrow.

<http://www.armchairempire.com/book/Resources/Documents/Harley%20Davidson%20Classics%201903%201965%20Illustrated%20Buyers%20Guide.pdf>

Table of Contents Marcy Apex Home Gym Instruction Manual

1. Understanding the eBook Marcy Apex Home Gym Instruction Manual
 - The Rise of Digital Reading Marcy Apex Home Gym Instruction Manual
 - Advantages of eBooks Over Traditional Books
2. Identifying Marcy Apex Home Gym Instruction Manual
 - Exploring Different Genres
 - Considering Fiction vs. Non-Fiction
 - Determining Your Reading Goals
3. Choosing the Right eBook Platform
 - Popular eBook Platforms
 - Features to Look for in an Marcy Apex Home Gym Instruction Manual
 - User-Friendly Interface
4. Exploring eBook Recommendations from Marcy Apex Home Gym Instruction Manual
 - Personalized Recommendations
 - Marcy Apex Home Gym Instruction Manual User Reviews and Ratings
 - Marcy Apex Home Gym Instruction Manual and Bestseller Lists
5. Accessing Marcy Apex Home Gym Instruction Manual Free and Paid eBooks
 - Marcy Apex Home Gym Instruction Manual Public Domain eBooks
 - Marcy Apex Home Gym Instruction Manual eBook Subscription Services
 - Marcy Apex Home Gym Instruction Manual Budget-Friendly Options

6. Navigating Marcy Apex Home Gym Instruction Manual eBook Formats
 - ePub, PDF, MOBI, and More
 - Marcy Apex Home Gym Instruction Manual Compatibility with Devices
 - Marcy Apex Home Gym Instruction Manual Enhanced eBook Features
7. Enhancing Your Reading Experience
 - Adjustable Fonts and Text Sizes of Marcy Apex Home Gym Instruction Manual
 - Highlighting and Note-Taking Marcy Apex Home Gym Instruction Manual
 - Interactive Elements Marcy Apex Home Gym Instruction Manual
8. Staying Engaged with Marcy Apex Home Gym Instruction Manual
 - Joining Online Reading Communities
 - Participating in Virtual Book Clubs
 - Following Authors and Publishers Marcy Apex Home Gym Instruction Manual
9. Balancing eBooks and Physical Books Marcy Apex Home Gym Instruction Manual
 - Benefits of a Digital Library
 - Creating a Diverse Reading Collection Marcy Apex Home Gym Instruction Manual
10. Overcoming Reading Challenges
 - Dealing with Digital Eye Strain
 - Minimizing Distractions
 - Managing Screen Time
11. Cultivating a Reading Routine Marcy Apex Home Gym Instruction Manual
 - Setting Reading Goals Marcy Apex Home Gym Instruction Manual
 - Carving Out Dedicated Reading Time
12. Sourcing Reliable Information of Marcy Apex Home Gym Instruction Manual
 - Fact-Checking eBook Content of Marcy Apex Home Gym Instruction Manual
 - Distinguishing Credible Sources
13. Promoting Lifelong Learning
 - Utilizing eBooks for Skill Development
 - Exploring Educational eBooks
14. Embracing eBook Trends
 - Integration of Multimedia Elements

- Interactive and Gamified eBooks

Marcy Apex Home Gym Instruction Manual Introduction

In this digital age, the convenience of accessing information at our fingertips has become a necessity. Whether its research papers, eBooks, or user manuals, PDF files have become the preferred format for sharing and reading documents. However, the cost associated with purchasing PDF files can sometimes be a barrier for many individuals and organizations. Thankfully, there are numerous websites and platforms that allow users to download free PDF files legally. In this article, we will explore some of the best platforms to download free PDFs. One of the most popular platforms to download free PDF files is Project Gutenberg. This online library offers over 60,000 free eBooks that are in the public domain. From classic literature to historical documents, Project Gutenberg provides a wide range of PDF files that can be downloaded and enjoyed on various devices. The website is user-friendly and allows users to search for specific titles or browse through different categories. Another reliable platform for downloading Marcy Apex Home Gym Instruction Manual free PDF files is Open Library. With its vast collection of over 1 million eBooks, Open Library has something for every reader. The website offers a seamless experience by providing options to borrow or download PDF files. Users simply need to create a free account to access this treasure trove of knowledge. Open Library also allows users to contribute by uploading and sharing their own PDF files, making it a collaborative platform for book enthusiasts. For those interested in academic resources, there are websites dedicated to providing free PDFs of research papers and scientific articles. One such website is Academia.edu, which allows researchers and scholars to share their work with a global audience. Users can download PDF files of research papers, theses, and dissertations covering a wide range of subjects. Academia.edu also provides a platform for discussions and networking within the academic community. When it comes to downloading Marcy Apex Home Gym Instruction Manual free PDF files of magazines, brochures, and catalogs, Issuu is a popular choice. This digital publishing platform hosts a vast collection of publications from around the world. Users can search for specific titles or explore various categories and genres. Issuu offers a seamless reading experience with its user-friendly interface and allows users to download PDF files for offline reading. Apart from dedicated platforms, search engines also play a crucial role in finding free PDF files. Google, for instance, has an advanced search feature that allows users to filter results by file type. By specifying the file type as "PDF," users can find websites that offer free PDF downloads on a specific topic. While downloading Marcy Apex Home Gym Instruction Manual free PDF files is convenient, its important to note that copyright laws must be respected. Always ensure that the PDF files you download are legally available for free. Many authors and publishers voluntarily provide free PDF versions of their work, but its essential to be cautious and verify the authenticity of the source before downloading Marcy Apex Home Gym Instruction Manual. In conclusion, the internet offers numerous platforms and websites that allow users to

download free PDF files legally. Whether its classic literature, research papers, or magazines, there is something for everyone. The platforms mentioned in this article, such as Project Gutenberg, Open Library, Academia.edu, and Issuu, provide access to a vast collection of PDF files. However, users should always be cautious and verify the legality of the source before downloading Marcy Apex Home Gym Instruction Manual any PDF files. With these platforms, the world of PDF downloads is just a click away.

FAQs About Marcy Apex Home Gym Instruction Manual Books

How do I know which eBook platform is the best for me? Finding the best eBook platform depends on your reading preferences and device compatibility. Research different platforms, read user reviews, and explore their features before making a choice. Are free eBooks of good quality? Yes, many reputable platforms offer high-quality free eBooks, including classics and public domain works. However, make sure to verify the source to ensure the eBook credibility. Can I read eBooks without an eReader? Absolutely! Most eBook platforms offer web-based readers or mobile apps that allow you to read eBooks on your computer, tablet, or smartphone. How do I avoid digital eye strain while reading eBooks? To prevent digital eye strain, take regular breaks, adjust the font size and background color, and ensure proper lighting while reading eBooks. What the advantage of interactive eBooks? Interactive eBooks incorporate multimedia elements, quizzes, and activities, enhancing the reader engagement and providing a more immersive learning experience. Marcy Apex Home Gym Instruction Manual is one of the best book in our library for free trial. We provide copy of Marcy Apex Home Gym Instruction Manual in digital format, so the resources that you find are reliable. There are also many Ebooks of related with Marcy Apex Home Gym Instruction Manual. Where to download Marcy Apex Home Gym Instruction Manual online for free? Are you looking for Marcy Apex Home Gym Instruction Manual PDF? This is definitely going to save you time and cash in something you should think about.

Find Marcy Apex Home Gym Instruction Manual :

harley davidson classics 1903 1965 illustrated buyers guide

[hanes ford expedition manual](#)

[handbuch kunstgeschichte erster franz kugler](#)

[hans von ohain elegance in flight general publication](#)

[harga parcel hari raya idul fitri](#)

[handbuch jahresabschluss bauwirtschaft gottfried mauerhofer](#)

[harley davidson flhtc factory service manual](#)

[harley davidson dyna 2003 service manual repair](#)

[handelsschiffe der welt in farbe 19101929](#)

[hardtack & coffee or the unwritten story of army life](#)

handbook of silicon photonics series in optics and optoelectronics

[handover report end of nursing shift](#)

[hardinge elite ii operators manual](#)

[handbook of thermal analysis and calorimetry handbook of thermal analysis and calorimetry](#)

[hands on virtual computing hands on virtual computing](#)

Marcy Apex Home Gym Instruction Manual :

running records infants toddlers ccdmd - Jul 23 2023

web a running record involves writing down everything that is happening in the order that it happens observers limit the amount of editing they do as they record instead the idea is to record as much raw data as possible using this rather open ended method means that educators can gather a lot of information in a relatively short period of time

kindergarten running record observation record twinkl - Aug 12 2022

web kpreet551 verified member since 2021 reviewed on 19 february 2023 helpful thank you for your feedback twinkl new zealand early childhood education resources ece planning and assessment help this resource is great to use for observation opportunities use this as a running record for each child

running record observations in early childhood education - Apr 20 2023

web running record observations into early childhood education learn how the use this observation method to document your children s learning advance a running record watch is on method that recorded a child s act and helpful you assess what they recognize furthermore understand

running record observations in early childhood education running records - May 09 2022

web feb 17 2023 a running record watch is neat method that captures a child s behavior and helps you assess what they know and understanding solutions preschools child care going record observations in early my education learn how to use this observation method to document your children s learning progress

[running record observations in early childhood education 3 4](#) - May 21 2023

web feb 17 2023 a running record observation the one method that captures an child s behavior furthermore helped you

assess whichever they know and understand running record observations in early childhood education 3 4 a closer look at observation methods tools and techniques

running record observations in early childhood education - Jul 11 2022

web feb 17 2023 adenine running record observation can one process that captures a child s behavior and helps you assess what they know or understand

running record observations in early childhood education - Feb 18 2023

web an running record observation is one method that captures a child s behavior and helps you ratings how they how and understand solutions educational child care relatives billing make experience curriculum resources early education and childcare resources customer stories help center webinars ebooks tools templates

running record observations in early childhood education - Apr 08 2022

web feb 17 2023 a running record listening is one method that capture a child s behavior plus helps yourself assess what they know and understand a running record viewing belongs one method that grabs ampere child s behavior and helps to assessment what they know or understand running record observations in early childhood education

running record observations in early childhood education - Jun 10 2022

web ampere running record observation is one method that captures one child s behavior press benefits him assess what they get and understand

running record observations in early childhood education 3 4 - Mar 19 2023

web feb 17 2023 a running record observation is neat method that captures a child s behavior and helps you measure what they know and comprehend running record observations in early childhood education 3 4 a closer look at observation methods tools and techniques

running record observations in early childhood education 3 4 - Aug 24 2023

web a running record observation is one method such captures ampere child s behavior and helps you valuate what they know and understand

running record observations in early childhood educate - Oct 14 2022

web feb 17 2023 adenine running record observations has one method so captures one child s behavior and helps i assess what they know and understandable running record observations in early childhood education how you can write childcare observations using different methods observation family day care education

running record observations in early childhood education - Sep 13 2022

web feb 17 2023 a running record observer is individual method that captures a child s behavior plus supports him review what they learn and understand running record observations in early childhood education how you can write childcare

observations using different methods family day care teacher observation observation
[running record observations in early childhood education](#) - Mar 07 2022

web a running record observing is one method that captures an child s behavior and helps thou assess what they know and comprehension

running record observation in childcare - Jun 22 2023

web january 31 2021 print image by free stock photos from picjumbo com from pixabay running records are written in present tense and recorded as the action is happening it gives a minute by minute description of what goes on in a setting with a specific child or group of children

[running record observations in early childhood education](#) - Sep 25 2023

web feb 17 2023 running record observations in early childhood education learn how to use this observation method to document your children s learning progress a running record observation is one method that captures a child s behavior and helps you assess what they know and understand

running record observations in early childhood education - Jan 17 2023

web a running record observation is one method so recorded a child s comportment and helps you assess whats they know and understand one running recording listening is one method that captures a child s behavior and helps

[running record observations in early childhood education](#) - Dec 16 2022

web feb 17 2023 a operating record observation is can method that captures a child s behavior and helps you assess what i knowledge and understand solutions preschools minor care running record observations in early baby education learn how to use this viewing method to document your children s learn progress

[running record observations in soon childhood education](#) - Feb 06 2022

web feb 17 2023 a running record observation is one method that captures a child s behavior and helpful you assess what they know furthermore recognize

[running record observations in early childhood education](#) - Nov 15 2022

web a current recorded observation can one how that captures a child s behavior and helps to assess what they know and understand running record observations in early childhood education how to grow a successful business

[restoring a vintage zenith table top am fm receiver from the 60s](#) - Jun 29 2023

web to illustrate the restoration process i m going to use a popular zenith am fm superheterodyne receiver from the 1960s the h845 c845 it s shown fully refurbished in figure 1 figure 1 zenith radio after restoration with dim bulb current limiter variac and isolation transformer

pdf zenith r transistor radios evolution of a classic issuu - May 29 2023

web aug 4 2023 7 minutes ago download pdf zenith r transistor radios evolution of a classic paradigm visual series here for the first time is a complete guide to all the wonderful transistor

zenith r transistor radios evolution of a classic paradigm - Jul 31 2023

web dec 12 1997 zenith r transistor radios evolution of a classic paradigm visual series paperback december 12 1997 here for the first time is a complete guide to all the wonderful transistor radios produced by the zenith radio corporation during the magic years when transistor radio design was constantly being improved

zenith r transistor radios evolution of a classic paradigm - Nov 22 2022

web attention your epaper is waiting for publication by publishing your document the content will be optimally indexed by google via ai and sorted into the right category for over 500 million epaper readers on yumpu

zenith transistor radios evolution of a classic a 2023 - Aug 20 2022

web zenith transistor radios evolution of a classic a zenith radio harold n cones 2003 these two volumes zenith radio the glory years 1936 1945 tell the story and highlight the products of the zenith radio corporation between the early years 1919 1935 and the end of world war ii history and product begins with an

view topic 1960s zenith am fm transistor radio antique radios - Feb 23 2023

web member joined oct sat 12 2013 11 46 pm posts 142 hello everyone i had bought a what i m assuming to be a mid to late 1960s vintage zenith am fm pocket transistor radio model number rb21y which is also known as the zenith royal b21 transistor radio at a local antique mall for 10 and to be quite honest i only bought it because it

download pdf zenith r transistor radios evolution of a classic - May 17 2022

web description here for the first time is a complete guide to all the wonderful transistor radios produced by the zenith radio corporation during the read home explore advertisement download pdf zenith r transistor radios evolution of a classic paradigm visual series report caseparsons follow may 4 2021

zenith transistor radios radiomuseum org - Jan 25 2023

web 4880 lower valley road atglen pa 19310 0 7643 0015 6 date of issue date of first publication periodicity 1998

zenith transistor radios evolution of a classic a 2023 - Feb 11 2022

web zenith s impact on early radio history with photographs documents and information as well as color portraits of many zenith radios of the era zenith transistor radios modern library

zenith transistor radios schifferbooks - Apr 15 2022

web here for the first time is a complete guide to all the wonderful transistor radios produced by the zenith radio corporation during the magic years when transistor radio design was constantly being improved

zenith transistor radios evolution of a classic by norman r - Mar 27 2023

web item 1 zenith r transistor radios evolution of a classic by norman r smith english zenith r transistor radios evolution of a classic by norman r smith english 26 25 free shipping

zenith r transistor radios evolution of a classic - Mar 15 2022

web this comprehensive book includes a complete listing of all transistor radio models created by zenith from 1955 through 1965 outstanding color photos from original zenith sales sheets as well as information on each model are presented in

zenith r transistor radios evolution of a classic abebooks - Dec 24 2022

web zenith r transistor radios evolution of a classic paradigm visual series by smith norman r isbn 10 0764300156 isbn 13 9780764300158 schiffer publishing 1997 softcover

free zenith transistor radios evolution of a classic a pdf - Jul 19 2022

web those all we present zenith transistor radios evolution of a classic a pdf and numerous book collections from fictions to scientific research in any way accompanied by them is this zenith transistor radios evolution of a classic a pdf that can be your partner american book publishing record 1998 ready for a brand new beat mark

kindle online pdf zenithr transistor radios evolution of a classic - Apr 27 2023

web kindle online pdf zenithr transistor radios evolution of a classic paradigm visual series free acces studocu kindle online pdf zenithr transistor radios evolution of a classic paradigm visual series free acces prerogative powers and conventions public law law4001

zenith r transistor radios evolution of a classic goodreads - Oct 22 2022

web this comprehensive book includes a complete listing of all transistor radio models created by zenith from 1955 through 1965 outstanding color photos from original zenith sales sheets as well as information on each model are presented in

pdf read zenith r transistor radios evolution of a classic - Oct 02 2023

web download zenith r transistor radios evolution of a classic paradigm visual series read zenith r transistor radios evolution of a classic paradigm visual series description here for the first time is a complete guide to all the wonderful transistor radios produced by the zenith radio corporation during the amp quotmagic years

zenith transistor radios evolution of a classic by norman smith - Sep 20 2022

web here for the first time is a complete guide to all the wonderful transistor radios produced by the zenith radio corporation during the magic years when transistor radio design was constantly being improved

a transistor museum interview with ray andreasich - Jun 17 2022

web and started working in may for the zenith radio corporation in the transistor radio group from 1957 to 1967 ray worked on component analysis started transistorized rf and if circuit design work was on a two year military leave of absence and designed portable radios for domestic manufacturing from 1967 to 1971 ray was the group

zenith transistor radios evolution of a classic a pdf - Sep 01 2023

web 2 zenith transistor radios evolution of a classic a 2022 01 22 zenith transistor radios evolution of a classic a downloaded from solutions milnerbrowne com by guest colon mcneil this is jerusalem calling zenith transistor radios selected by the modern library as one of the 100 best nonfiction books of all time from the modern

economics 12th edition english paperback richard lipsey - Dec 11 2022

may 13 2023 this economics lipsey 12th edition solutions manual as one of the most operational sellers here will categorically be among the best options to review diverse issues

economics lipsey 12th edition solutions manual m titanlien - Jan 12 2023

may 1 2023 you could speedily download this economics lipsey 12th edition solutions manual after getting deal so as soon as you require the books swiftly you can straight

economics lipsey 12th edition solutions manual - Feb 13 2023

economics 12th edition by richard lipsey from flipkart com only genuine products 30 day replacement guarantee free shipping cash on delivery explore plus login become a

economics richard lipsey alec chrystal solutions manual chegg - Aug 19 2023

nov 15 2022 solution manual for economics 12th edition by richard lipsey it includes all chapters unless otherwise stated download free sample please check the sample before

economics lipsey 12th edition solutions manual pdf lgscout - Mar 14 2023

economics lipsey 12th edition solutions manual treatment of juvenile offenders five things you must understand to pass economics economics in one lesson by henry hazlitt

solution manual for economics 12th edition by richard lipsey - Jun 17 2023

economics lipsey 12th edition solutions manual downloaded from beta wecounsel com by guest sarai elsa money bank credit and economic cycles edugorilla community pvt

samacheer kalvi 12th economics books solutions guide free - Dec 31 2021

economics lipsey 12th edition solutions manual treatment of juvenile offenders five things you must understand to pass economics economics in one lesson by henry hazlitt

economics lipsey 12th edition solutions manual 2022 - May 04 2022

economics lipsey 12th edition solutions manual a guide to the literature cumulated index to the books nra cet exam for 12th pass english edition complete preparation kit 72

pdf lipsey chrystal economics 12 th edition - Jul 18 2023

richard g lipsey solutions below are chegg supported textbooks by richard g lipsey select a textbook to see worked out

solutions books by richard g lipsey with solutions find

economics lipsey 12th edition solutions manual uniport edu - Apr 03 2022

oxford university press economics lipsey 12th edition solutions manual download economics lipsey 12th edition solutions manual 2 readerworld net monday 18th of january

economics richard g lipsey richard george lipsey k alec - Jul 06 2022

economics lipsey 12th edition solutions manual getting the books economics lipsey 12th edition solutions manual now is not type of inspiring means you could not by yourself going

online library macroeconomics ragan lipsey 12th edition - Feb 01 2022

jun 2 2023 of this economics lipsey 12th edition solutions manual can be taken as capably as picked to act economics

richard g lipsey 2015 written to engage you with real world

economics 12th edition by richard lipsey alec chrystal - Jun 05 2022

mar 20 2023 economics lipsey 12th edition solutions manual associate that we come up with the money for here and check out the link you could purchase guide economics lipsey

richard g lipsey solutions chegg com - May 16 2023

economics lipsey 12th edition solutions manual downloaded from lgscout com by guest heath alani economics lipsey 12th edition solutions manual treatment of juvenile

economics lipsey 12th edition solutions manual copy - Oct 29 2021

economics lipsey 12th edition solutions manual full pdf - Apr 15 2023

economics lipsey 12th edition solutions manual reviewing economics lipsey 12th edition solutions manual unlocking the spellbinding force of linguistics in a fast paced

economics lipsey 12th edition solutions manual thor byteorbit - Aug 07 2022

team at simon fraser universitys has a richard lipsey yes we saw the climate changing but what were we to do oup lipsey

economics oxford university pres the twelfth edition of

economics lipsey 12th edition solutions manual pdf uniport edu - Nov 10 2022

economics richard lipsey alec chrystal oxford university press 2020 762 pages an illuminating and robust introduction to economics principles the fourteenth edition of lipsey

economics richard lipsey alec chrystal google books - Sep 08 2022

oxford university press 2007 economics 665 pages the eleventh edition of this successful textbook for economics majors has been thoroughly updated and revised to give more depth

economics lipsey 12th edition solutions manual uniport edu - Nov 29 2021

economics lipsey 12th edition solutions manual pdf - Mar 02 2022

may 12 2021 the samacheer kalvi 12th economics books solutions are published by the tn state board council of educational research and training these samacheer kalvi are

economics lipsey 12th edition solutions manual - Sep 20 2023

get instant access to our step by step economics richard lipsey alec chrystal solutions manual our solution manuals are written by chegg experts so you can be assured of the

economics lipsey 12th edition solutions manual copy uniport edu - Oct 09 2022

solutions manual provides full solutions for all end of chapter assignment items including questions exercises problems and cases economics anu e press the impact of the global