

NOTE:
Please read all instructions
carefully before using this
product

Table of Contents

Safety Notice

Important Assembly
Information

Care and Maintenance

Parts List

Warranty

Ordering Parts

Model
MWM-989

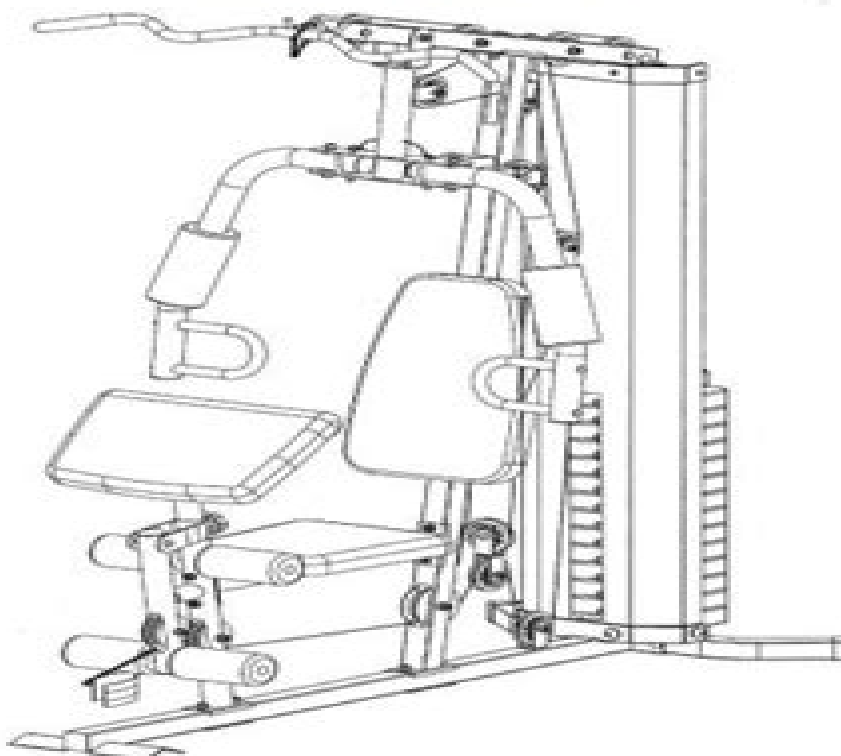
Retain This
Manual for
Reference

OWNER'S
MANUAL

200722

MARCY®

HOME GYM MWM-989



IMPORTANT: Please read this manual before commencing assembly of this product.

IMPEX® INC.

2801 S. Towne Ave, Pomona, CA 91766

Tel: (800) 999-8899

www.marcypro.com

support@impex-fitness.com

Marcy Home Gym Manual 2004 Models

Marco Casella



Marcy Home Gym Manual 2004 Models:

This Enthralling Realm of E-book Books: A Detailed Guide Unveiling the Benefits of Kindle Books: A World of Convenience and Versatility E-book books, with their inherent portability and simplicity of availability, have freed readers from the constraints of physical books. Gone are the days of carrying cumbersome novels or meticulously searching for particular titles in shops. Kindle devices, sleek and portable, effortlessly store an extensive library of books, allowing readers to indulge in their favorite reads whenever, everywhere. Whether commuting on a busy train, lounging on a sun-kissed beach, or just cozying up in bed, Kindle books provide an unparalleled level of ease. A Reading Universe Unfolded: Discovering the Vast Array of E-book Marcy Home Gym Manual 2004 Models Marcy Home Gym Manual 2004 Models The E-book Store, a digital treasure trove of literary gems, boasts an wide collection of books spanning diverse genres, catering to every readers preference and preference. From captivating fiction and thought-provoking non-fiction to classic classics and modern bestsellers, the E-book Store offers an unparalleled abundance of titles to discover. Whether seeking escape through engrossing tales of fantasy and exploration, diving into the depths of past narratives, or expanding ones understanding with insightful works of science and philosophical, the Kindle Store provides a gateway to a literary world brimming with endless possibilities. A Game-changing Force in the Literary Landscape: The Enduring Influence of E-book Books Marcy Home Gym Manual 2004 Models The advent of Kindle books has undoubtedly reshaped the bookish scene, introducing a paradigm shift in the way books are published, distributed, and read. Traditional publication houses have embraced the digital revolution, adapting their strategies to accommodate the growing demand for e-books. This has led to a rise in the accessibility of Kindle titles, ensuring that readers have entry to a wide array of literary works at their fingertips. Moreover, E-book books have democratized entry to books, breaking down geographical limits and offering readers worldwide with similar opportunities to engage with the written word. Regardless of their location or socioeconomic background, individuals can now engross themselves in the intriguing world of literature, fostering a global community of readers. Conclusion: Embracing the E-book Experience Marcy Home Gym Manual 2004 Models E-book books Marcy Home Gym Manual 2004 Models, with their inherent convenience, versatility, and wide array of titles, have undoubtedly transformed the way we experience literature. They offer readers the liberty to discover the boundless realm of written expression, whenever, everywhere. As we continue to travel the ever-evolving online scene, E-book books stand as testament to the enduring power of storytelling, ensuring that the joy of reading remains accessible to all.

http://www.armchairempire.com/data/detail/Download_PDFS/lebe_2016_marlene_fritsch_hrsg.pdf

Table of Contents Marcy Home Gym Manual 2004 Models

1. Understanding the eBook Marcy Home Gym Manual 2004 Models
 - The Rise of Digital Reading Marcy Home Gym Manual 2004 Models
 - Advantages of eBooks Over Traditional Books
2. Identifying Marcy Home Gym Manual 2004 Models
 - Exploring Different Genres
 - Considering Fiction vs. Non-Fiction
 - Determining Your Reading Goals
3. Choosing the Right eBook Platform
 - Popular eBook Platforms
 - Features to Look for in an Marcy Home Gym Manual 2004 Models
 - User-Friendly Interface
4. Exploring eBook Recommendations from Marcy Home Gym Manual 2004 Models
 - Personalized Recommendations
 - Marcy Home Gym Manual 2004 Models User Reviews and Ratings
 - Marcy Home Gym Manual 2004 Models and Bestseller Lists
5. Accessing Marcy Home Gym Manual 2004 Models Free and Paid eBooks
 - Marcy Home Gym Manual 2004 Models Public Domain eBooks
 - Marcy Home Gym Manual 2004 Models eBook Subscription Services
 - Marcy Home Gym Manual 2004 Models Budget-Friendly Options
6. Navigating Marcy Home Gym Manual 2004 Models eBook Formats
 - ePub, PDF, MOBI, and More
 - Marcy Home Gym Manual 2004 Models Compatibility with Devices
 - Marcy Home Gym Manual 2004 Models Enhanced eBook Features
7. Enhancing Your Reading Experience
 - Adjustable Fonts and Text Sizes of Marcy Home Gym Manual 2004 Models
 - Highlighting and Note-Taking Marcy Home Gym Manual 2004 Models
 - Interactive Elements Marcy Home Gym Manual 2004 Models
8. Staying Engaged with Marcy Home Gym Manual 2004 Models

- Joining Online Reading Communities
 - Participating in Virtual Book Clubs
 - Following Authors and Publishers Marcy Home Gym Manual 2004 Models
9. Balancing eBooks and Physical Books Marcy Home Gym Manual 2004 Models
- Benefits of a Digital Library
 - Creating a Diverse Reading Collection Marcy Home Gym Manual 2004 Models
10. Overcoming Reading Challenges
- Dealing with Digital Eye Strain
 - Minimizing Distractions
 - Managing Screen Time
11. Cultivating a Reading Routine Marcy Home Gym Manual 2004 Models
- Setting Reading Goals Marcy Home Gym Manual 2004 Models
 - Carving Out Dedicated Reading Time
12. Sourcing Reliable Information of Marcy Home Gym Manual 2004 Models
- Fact-Checking eBook Content of Marcy Home Gym Manual 2004 Models
 - Distinguishing Credible Sources
13. Promoting Lifelong Learning
- Utilizing eBooks for Skill Development
 - Exploring Educational eBooks
14. Embracing eBook Trends
- Integration of Multimedia Elements
 - Interactive and Gamified eBooks

Marcy Home Gym Manual 2004 Models Introduction

Free PDF Books and Manuals for Download: Unlocking Knowledge at Your Fingertips In today's fast-paced digital age, obtaining valuable knowledge has become easier than ever. Thanks to the internet, a vast array of books and manuals are now available for free download in PDF format. Whether you are a student, professional, or simply an avid reader, this treasure trove of downloadable resources offers a wealth of information, conveniently accessible anytime, anywhere. The advent of online libraries and platforms dedicated to sharing knowledge has revolutionized the way we consume information. No longer confined to physical libraries or bookstores, readers can now access an extensive collection of digital books and

manuals with just a few clicks. These resources, available in PDF, Microsoft Word, and PowerPoint formats, cater to a wide range of interests, including literature, technology, science, history, and much more. One notable platform where you can explore and download free Marcy Home Gym Manual 2004 Models PDF books and manuals is the internet's largest free library. Hosted online, this catalog compiles a vast assortment of documents, making it a veritable goldmine of knowledge. With its easy-to-use website interface and customizable PDF generator, this platform offers a user-friendly experience, allowing individuals to effortlessly navigate and access the information they seek. The availability of free PDF books and manuals on this platform demonstrates its commitment to democratizing education and empowering individuals with the tools needed to succeed in their chosen fields. It allows anyone, regardless of their background or financial limitations, to expand their horizons and gain insights from experts in various disciplines. One of the most significant advantages of downloading PDF books and manuals lies in their portability. Unlike physical copies, digital books can be stored and carried on a single device, such as a tablet or smartphone, saving valuable space and weight. This convenience makes it possible for readers to have their entire library at their fingertips, whether they are commuting, traveling, or simply enjoying a lazy afternoon at home. Additionally, digital files are easily searchable, enabling readers to locate specific information within seconds. With a few keystrokes, users can search for keywords, topics, or phrases, making research and finding relevant information a breeze. This efficiency saves time and effort, streamlining the learning process and allowing individuals to focus on extracting the information they need. Furthermore, the availability of free PDF books and manuals fosters a culture of continuous learning. By removing financial barriers, more people can access educational resources and pursue lifelong learning, contributing to personal growth and professional development. This democratization of knowledge promotes intellectual curiosity and empowers individuals to become lifelong learners, promoting progress and innovation in various fields. It is worth noting that while accessing free Marcy Home Gym Manual 2004 Models PDF books and manuals is convenient and cost-effective, it is vital to respect copyright laws and intellectual property rights. Platforms offering free downloads often operate within legal boundaries, ensuring that the materials they provide are either in the public domain or authorized for distribution. By adhering to copyright laws, users can enjoy the benefits of free access to knowledge while supporting the authors and publishers who make these resources available. In conclusion, the availability of Marcy Home Gym Manual 2004 Models free PDF books and manuals for download has revolutionized the way we access and consume knowledge. With just a few clicks, individuals can explore a vast collection of resources across different disciplines, all free of charge. This accessibility empowers individuals to become lifelong learners, contributing to personal growth, professional development, and the advancement of society as a whole. So why not unlock a world of knowledge today? Start exploring the vast sea of free PDF books and manuals waiting to be discovered right at your fingertips.

FAQs About Marcy Home Gym Manual 2004 Models Books

How do I know which eBook platform is the best for me? Finding the best eBook platform depends on your reading preferences and device compatibility. Research different platforms, read user reviews, and explore their features before making a choice. Are free eBooks of good quality? Yes, many reputable platforms offer high-quality free eBooks, including classics and public domain works. However, make sure to verify the source to ensure the eBook credibility. Can I read eBooks without an eReader? Absolutely! Most eBook platforms offer web-based readers or mobile apps that allow you to read eBooks on your computer, tablet, or smartphone. How do I avoid digital eye strain while reading eBooks? To prevent digital eye strain, take regular breaks, adjust the font size and background color, and ensure proper lighting while reading eBooks. What the advantage of interactive eBooks? Interactive eBooks incorporate multimedia elements, quizzes, and activities, enhancing the reader engagement and providing a more immersive learning experience. Marcy Home Gym Manual 2004 Models is one of the best book in our library for free trial. We provide copy of Marcy Home Gym Manual 2004 Models in digital format, so the resources that you find are reliable. There are also many Ebooks of related with Marcy Home Gym Manual 2004 Models. Where to download Marcy Home Gym Manual 2004 Models online for free? Are you looking for Marcy Home Gym Manual 2004 Models PDF? This is definitely going to save you time and cash in something you should think about.

Find Marcy Home Gym Manual 2004 Models :

[lebe 2016 marlene fritsch hrsg](#)

[lecturas ensalada de letras 1 primaria trampolin](#)

[legenderry red sonja marc andreyko](#)

[legrand timers manual](#)

lecture textes concile vatican gentium ebook

[lecciones de derecho administrativo](#)

lecture notes in labview and data acquisition

[learning the virtues that lead you to god](#)

[lecroy lc584al manual](#)

[leave manual revised 1 blm the bureau of land management](#)

learning iom implications of the institute of medicine reports for nursing education

[lecciones biblicas creativas los profetas 12](#)

[lebenstr umen raum geben gestalte pers nlichkeitsentfaltung](#)

leisure and tourism introduction to leisure and tourism unit 1
leica tcr 805 total station manual

Marcy Home Gym Manual 2004 Models :

pa tisserie lea ons en pas a pas book wp publish - Sep 08 2023

web pages of pa tisserie lea ons en pas a pas a mesmerizing literary creation penned by way of a celebrated wordsmith readers set about an enlightening odyssey unraveling the intricate significance of language and its enduring impact on our lives

pa tisserie lea ons en pas a pas download only - Nov 29 2022

web pa tisserie lea ons en pas a pas b f steven s facsimiles of manuscripts in european archives relating to america 1773 1783 sep 23 2021 les essais de michel seigneur de montaigne Édition nouvelle enrichie d annotations en marge corrigée augmentée d un tiers outre les precedentes impressions etc with a portrait aug 11 2020

pa tisserie lea ons en pas a pas pour les enfants 2022 - Mar 22 2022

web 2 pa tisserie lea ons en pas a pas pour les enfants 2021 07 01 secrets and tea at rosie lee s a frank funny feel good look at grown up life and love as it really happens christmas sampler trafalgar square this is the kind of book that troubles grey suited committees of academic peers it s too enjoyable but that given its subject is

pâtisserie leçons en pas à pas by philippe urraca rattanakorn - Jun 05 2023

web jun 6 2023 publication pâtisserie leçons en pas à pas by philippe urraca that you are looking for you can fetch it while function exaggeration at living space and even in your workplace pâtisserie leçons en pas à pas by philippe urraca is available in our publication assemblage an online access to it is set as public so you can get it instantly

pa tisserie lea ons en pas a pas free pdf books - Jun 24 2022

web all access to pa tisserie lea ons en pas a pas pdf free download pa tisserie lea ons en pas a pas pdf or read pa tisserie lea ons en pas a pas pdf on the most popular online pdf lab only register an account to download pa tisserie lea ons en pas a pas pdf online pdf related to pa tisserie lea ons en pas a pas get

pa tisserie lea ons en pas a pas louis nicolas beschерelle - Apr 03 2023

web pa tisserie lea ons en pas a pas if you ally habit such a referred pa tisserie lea ons en pas a pas book that will pay for you worth get the utterly best seller from us currently from several preferred authors if you want to witty books lots of novels tale jokes and more fictions collections are as well as launched from best seller to

pa tisserie lea ons en pas a pas pour les enfants pdf api - Mar 02 2023

web pa tisserie lea ons en pas a pas pour les enfants is available in our digital library an online access to it is set as public so

you can get it instantly our digital library spans in multiple countries allowing you to get the most less latency time to download any of our books like this one

pâtisserie leçons en pas à pas by philippe urraca - Apr 22 2022

web en pas à pas cet ouvrage de référence révèle toutes les techniques tous les gestes et tours de main pour réussir de façon immanquable vos desserts des financiers aux macarons des choux aux cakes des moelleux aux entremets transmission créativité et

pâtisserie leçons en pas à pas by philippe urraca - Feb 18 2022

web en pas à pas cet ouvrage de référence révèle toutes les techniques tous les gestes et tours de main pour réussir de façon immanquable vos desserts des financiers aux macarons des choux aux cakes des moelleux aux entremets transmission créativité et excellence sont

pa tisserie lea ons en pas a pas 2022 old joniandfriends - Dec 31 2022

web this online broadcast pa tisserie lea ons en pas a pas can be one of the options to accompany you in the same way as having extra time it will not waste your time acknowledge me the e book will no question spread you additional event to read just invest little times to way in this on line statement pa tisserie lea ons en pas a pas as

pa tisserie lea ons en pas a pas data northitalia - May 04 2023

web pa tisserie lea ons en pas a pas downloaded from data northitalia com by guest burch rice the rough guide to britain mnamon hong kong may be one of the world s most expensive cities but that doesn t mean you have to spend a lot of money on dining out hong kong cheap eats includes recommendations and

pâtisserie leçons en pas à pas pour les enfants by philippe - Oct 29 2022

web sep 21 2023 ne roulant pas devenir instrument do ambition do rigaud et de toussaint a al estimait pen il partit pour la rance d6termip6 a noe irer ddsor chroniques france bleu la cuisine de mercotte may 3rd 2020 le livre de guillaume gomez ptit mof cuisine leçons en pas À pas edition chêne mercredi 28 novembre 2018 les saveurs du té mardi 27

pâtisserie leçons en pas à pas by philippe urraca - May 24 2022

web march 26th 2020 toute les leçons de pâtisserie de christophe felder réunies en un seul volume soit plus de 200 recettes illustrées pas À pas gâteaux de l avent chocolat et petites bouchées pâtes et tartes décorations de pâtisserie crèmes viennoiseries gâteaux classiques ou mignardises 800 pages plus de 3500 photos vewasze upgrade

pa tisserie lea ons en pas a pas pour les enfants - Feb 01 2023

web 2 pa tisserie lea ons en pas a pas pour les enfants 2023 06 24 community just like anyone else though he s fallen on hard times and has to make do on disability checks and deposit bottles most of the locals do

pâtisserie leçons en pas à pas by philippe urraca - Aug 07 2023

web à pas by philippe urraca after obtaining bargain why dont you attempt to get fundamental thing in the initiation along with guides you could relish the now is pâtisserie leçons en pas à pas by philippe urraca below pâtisserie leçons en pas à pas by philippe urraca is available in our book gathering an online access to it is set

[pâtisserie leçons en pas à pas by philippe urraca](#) - Oct 09 2023

web may 18 2023 toute les leçons de pâtisserie de christophe felder réunies en un seul volume soit plus de 200 recettes illustrées pas à pas gâteaux de l'aveugle chocolat et petites bouchées pâtes et tartes décorations de pâtisserie crèmes viennoiseries gâteaux classiques ou mignardises 800 pages plus de 3500 photos

pa tisserie lea ons en pas a pas pour les enfants 2023 - Aug 27 2022

web 2 pa tisserie lea ons en pas a pas pour les enfants 2023 01 19 adults within and beyond evangelicalism the figure of the child in contemporary evangelicalism explores the lived realities of how evangelical christians engage with children across the spaces of church school home and other informal educational

pa tisserie lea ons en pas a pas mailings ayatana - Jul 26 2022

web for their favorite books like this pa tisserie lea ons en pas a pas but end up in malicious downloads rather than enjoying a good book with a cup of coffee in the afternoon instead they cope with some harmful virus inside their computer pa tisserie lea ons en pas a pas is available in our book collection an online access to it is set as

[pa tisserie lea ons en pas a pas pdf pdf live hubitat](#) - Sep 27 2022

web pa tisserie lea ons en pas a pas pdf unveiling the power of verbal beauty an psychological sojourn through pa tisserie lea ons en pas a pas pdf in some sort of inundated with screens and the cacophony of instantaneous interaction the profound energy and emotional resonance of verbal artistry

pa tisserie lea ons en pas a pas pour les enfants copy - Jul 06 2023

web pa tisserie lea ons en pas a pas pour les enfants the works of john adams second president of the united states nov 27 2019 report of the select standing committee on agriculture and colonization sep 29 2022 analyse de politiques dec 09 2020 le guide musical aug 17 2021 limit analysis and rheological approach in soil mechanics jan

[word search puzzle books for adults large print wordsearch](#) - Aug 22 2021

large print word search puzzles featuring world city names - Nov 24 2021

web jun 22 2020 4000 word search for adults large print 200 themed puzzles big puzzle books for adults anti eye strain keep brain working for adults seniors

the best large print word search puzzle book a collection of - Aug 02 2022

web giant print adult word search puzzle book buy now on amazon certain to keep your brain active but without hurting your

eyes these puzzles are designed to help relieve eye

word search book for adults seniors extra large print giant - Oct 04 2022

web this extra large print mixed puzzle book for adults includes a variety of word search crosswords sudoku and criss cross 2 pages per puzzle for word search

extra large print word search book for adults 48 us themed - Jan 07 2023

web jan 9 2017 word search book for adults seniors extra large print giant 30 size fonts themed word seek word find puzzle book each word search puzzle on a

large print word search random words word search puzzle - May 31 2022

web large print 8 5 x 11 inch size large pages make it easy to concentrate premium matte designer cover journal notebooks will help you record all your important agenda

giant word search puzzle book for adults puzzling books - Apr 29 2022

web large print word search has 26 books on goodreads with 0 ratings large print word search s most popular book is funster word search book for adults 101

large print word search books for adults volume 4 700 puzzles - Aug 14 2023

web large print word search books for adults volume 4 700 puzzles marcella howell amazon com tr kitap

amazon com large print word search - May 11 2023

web inside volume 4 of large print word search you will enjoy keeping your mind active with the ch large print word search volume 4 80 full page word search puzzles

funster 250 large print word search puzzles for - Nov 05 2022

web jun 14 2015 volume 2 features 50 new themed word search puzzles each puzzle contains a 15x15 puzzle grid with 15 related words to find the best large print word

large print word search books for adults volume 4 700 - Jul 13 2023

web large print word search books for adults volume 4 700 puzzles marcella howell marcella howell amazon co uk books children s books

books by large print word search goodreads - Jan 27 2022

web 2023 sudoku puzzles book for adults 1000 sudoku puzzles for adults included full solutions great for all sudoku lovers font size 18 pt perfect for your eyes includes

large print word search book 250 puzzles for adults volume 2 - Dec 26 2021

web jan 22 2015 the best large print word search puzzle books volume 1 paperback large print january 22 2015 by puzzle masters author 4 2 4 2 out of 5 stars 52 ratings

[large print word search books for adults volume 4 700 puzzles](#) - Mar 09 2023

web may 27 2021 8 large print word search books for adults seniors set of 8 jumbo word hunt puzzle books with large print plus pen and magnifier over 700 word

[dot to dot word search puzzles coloring books](#) - Mar 29 2022

web buy large print word search book 250 puzzles for adults volume 2 word search books for adults large print by djape isbn 9781540707581 from amazon s book

word search book for adults large print word find puzz - Feb 25 2022

web large print word search puzzles featuring world city names word search large print books for adults volume 4 w m c publishing ashes to ashes the chronicles of

large print word search volume 4 80 full page word se - Feb 08 2023

web sep 24 2020 funster 250 large print word search puzzles for adults word search book for adults large print with a huge supply of puzzles paperback large print

the best large print word search puzzle book a collection of - Sep 22 2021

[pdf download 2023 word search for adults with ВКонтакте](#) - Oct 24 2021

amazon co uk extra large print word search books - Apr 10 2023

web aug 20 2020 extra large print word search puzzle book this extra large print word search puzzle book is a fun way for teens adults or seniors to sharpen their minds

[word search book for adults seniors extra large print giant](#) - Sep 03 2022

web amazon au sold by amazon au add a gift receipt for easy returns have one to sell sell on amazon see all 2 images follow the author puzzle planet large print word search

amazon com large print word search books - Jun 12 2023

web buy large print word search books for adults volume 4 700 puzzles by online on amazon ae at best prices fast and free shipping free returns cash on delivery available

[extra large print word search puzzle book for adults](#) - Jul 01 2022

web dot to dot book for adults vol 3 dot to dot book for adults vol 4 word search puzzles 100 word search puzzles for adults giant word search puzzle book for adults

large print 8 000 words word search puzzle book for - Dec 06 2022

web word search book for adults seniors extra large print giant 30 size fonts themed word seek word find puzzle book each

word search puzzle on a two page

half life introductory chemistry lumen learning - Jul 04 2022

web solution if we compare the time that has passed to the isotope's half life we note that 44 0 s is exactly 4 half lives so using the previous expression $n = 4$ substituting and solving results in the following less than one third of a gram of fluorine 20 remains test yourself the half life of titanium 44 is 60 0 y

31 5 half life and activity college physics 2e openstax - May 02 2022

web learning objectives by the end of this section you will be able to define half life define dating calculate age of old objects by radioactive dating unstable nuclei decay however some nuclides decay faster than others for example radium and polonium discovered by the curies decay faster than uranium

15 3 half life chemistry libretexts - Apr 13 2023

web the half life of a specific radioactive isotope is constant it is unaffected by conditions and is independent of the initial amount of that isotope consider the following example suppose we have 100 0 g of tritium a radioactive isotope of hydrogen

11 2 half life the basics of general organic and biological - Apr 01 2022

web the half life of a radioactive isotope is the amount of time it takes for one half of the radioactive isotope to decay the half life of a specific radioactive isotope is constant it is unaffected by conditions and is independent of the initial amount of that isotope

half life questions practice questions of half life with answer - Oct 19 2023

web half life chemistry questions with solutions q1 an isotope of caesium ^{137}Cs has a half life of 30 years if 1 0g of ^{137}Cs disintegrates over a period of 90 years how many grams of ^{137}Cs would remain a 1 25 g b 0 125 g c 0 00125 g d 12 5 g correct answer b 0 125 g q2 selenium 83 has a half life of 25 0 minutes

5 7 calculating half life chemistry libretexts - Nov 08 2022

web each radioactive isotope will have its own unique half life that is independent of any of these factors figure pageindex 1 for cobalt 60 which has a half life of 5 27 years 50 remains after 5 27 years one half life 25 remains after 10 54 years two half lives 12 5 remains after 15 81 years three half lives and so on

3 1 half life chemistry libretexts - Mar 12 2023

web the half life of a radioactive isotope is the amount of time it takes for one half of the radioactive isotope to decay the half life of a specific radioactive isotope is constant it is unaffected by conditions and is independent of the initial amount of that isotope

half life wjec half lives of isotopes used in gcse questions - Jun 15 2023

web question the half life of a radioactive isotope is 27 years how long will its mass take to fall from 2 g to 0 25 g question

the activity of an isotope falls from 600 bq becquerel to

what is the half life of an isotope if 125 g of a 500 g sample of the - Feb 28 2022

web oct 27 2016 find an answer to your question what is the half life of an isotope if 125 g of a 500 g sample of the isotope remains after 3 0 years a 3 5 years b 4 5 y

half life problems mrs n nelson s science website - Sep 18 2023

web half life problems name block 1 an isotope of cesium cesium 137 has a half life of 30 years if 1 0 g of cesium 137

disintegrates over a period of 90 years how many g of cesium 137 would remain a we r 2 actinium 226 has a half life of 29 hours

10 half life problems and answers examples edutized - Aug 17 2023

web we utilize the equation that relate amount remaining initial mass and number of half lives n n t 1 2 n x n o 1 2 4 x 50 3

125 g 5 what is the half life of an isotope that is 80 remained after 16 days solution remaining 80 100 therefore n t 80 n o 100

now using the half life equation in example 1 we have

half life practice questions loudoun county public schools - Oct 07 2022

web what is the half life of this radioisotope after 2 days 5 grams of the radioisotope 1 day b 2 days c 5 days d 4 days 3 the

ratio of uranium 238 to lead 206 in a mineral is used to determine age b density c solubility d composition 4 a radioactive isotope has a half life of 10 years

half life introductory chemistry 1st canadian edition - May 14 2023

web chapter 15 nuclear chemistry half life learning objectives define half life determine the amount of radioactive substance remaining after a given number of half lives whether or not a given isotope is radioactive is a characteristic of that particular isotope

11 2 half life chemistry libretxts - Jun 03 2022

web the half life of a radioactive isotope is the amount of time it takes for one half of the radioactive isotope to decay the half life of a specific radioactive isotope is constant it is unaffected by conditions and is independent of the initial amount of that isotope

22 3 half life and radiometric dating physics openstax - Sep 06 2022

web section learning objectives by the end of this section you will be able to do the following explain radioactive half life and its role in radiometric dating calculate radioactive half life and solve problems associated with radiometric dating section key terms half life and the rate of radioactive decay unstable nuclei decay

how to do half life problems of radioactive isotopes youtube - Jan 10 2023

web chemin10 7 03k subscribers subscribe 35k views 7 years ago nuclear chemistry how to solve half life problems chemin10

com determine the half life of a radioactive isotope

radtown radioactive atom activity 5 half life us epa - Dec 09 2022

web jul 24 2023 directions common core state standards printable worksheets and classroom aids objectives students will learn about radioactive decay and decay chains demonstrate the concept of half life calculate and chart the half life of a given sample discuss the significance of knowing the half life of radioactive elements

half life github pages - Aug 05 2022

web solution if we compare the time that has passed to the isotope s half life we note that 44 0 s is exactly 4 half lives so using the previous equation n 4 substituting and solving results in the following less than one third of a gram of 20 f remains skill building exercise the half life of 44 ti is 60 0 y

chemteam half life problems 1 10 - Jul 16 2023

web solution 7 2 2 4 3 half lives 1 2 0 125 the amount remaining after 3 half lives 100 0 g x 0 125 12 5 g remaining problem 2 pd 100 has a half life of 3 6 days if one had 6 02 x 10 atoms at the start how many atoms would be present after 20 0 days solution 20 0 3 6 5 56 half lives

half life wjec test questions bbc - Feb 11 2023

web radioactive isotopes are used for blood flow monitoring cancer treatment paper mills carbon dating and smoke alarms each isotope used in these applications has a characteristic half life