

REC26-814669A2 R.O. 26-814669A2



Kit retenes cola
Gearcase seal kit
Kit tenuta piede

REC46-812966A12 R.O. 46-812966A12

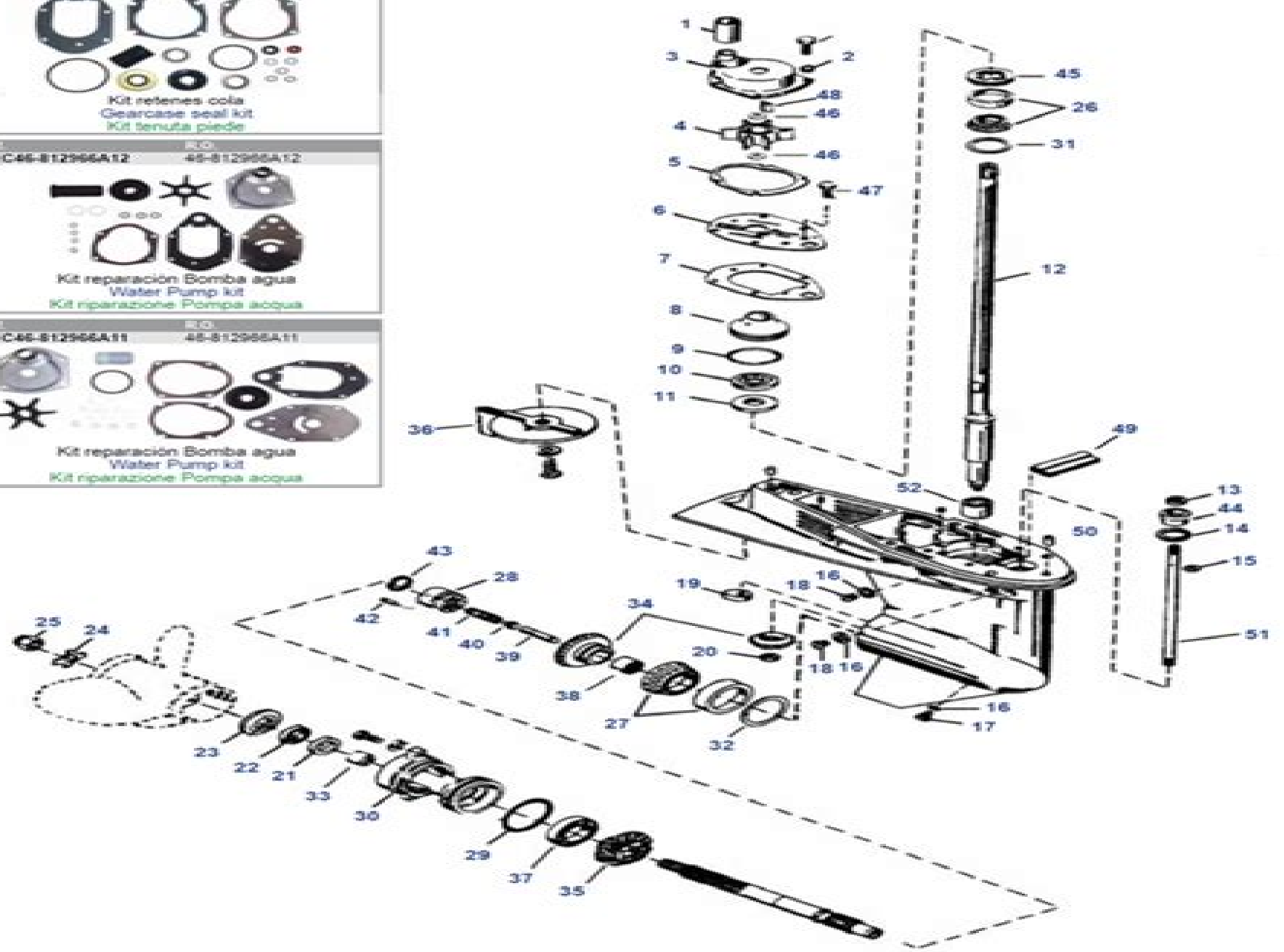


Kit reparación Bomba agua
Water Pump kit
Kit riparazione Pompa acqua

REC46-812966A11 R.O. 46-812966A11



Kit reparación Bomba agua
Water Pump kit
Kit riparazione Pompa acqua



Mariner 60 Hp 3 Cyl Manual

Arturo Cuomo



Mariner 60 Hp 3 Cyl Manual:

This Engaging Realm of E-book Books: A Comprehensive Guide Unveiling the Pros of E-book Books: A Realm of Convenience and Versatility E-book books, with their inherent mobility and ease of availability, have freed readers from the limitations of hardcopy books. Gone are the days of carrying bulky novels or carefully searching for specific titles in bookstores. E-book devices, stylish and lightweight, effortlessly store an wide library of books, allowing readers to immerse in their preferred reads whenever, anywhere. Whether commuting on a bustling train, lounging on a sunny beach, or simply cozying up in bed, E-book books provide an exceptional level of convenience. A Reading Universe Unfolded: Exploring the Wide Array of Kindle Mariner 60 Hp 3 Cyl Manual Mariner 60 Hp 3 Cyl Manual The E-book Shop, a digital treasure trove of literary gems, boasts an extensive collection of books spanning diverse genres, catering to every readers preference and choice. From captivating fiction and mind-stimulating non-fiction to classic classics and contemporary bestsellers, the Kindle Shop offers an unparalleled abundance of titles to explore. Whether looking for escape through engrossing tales of imagination and adventure, delving into the depths of historical narratives, or expanding ones understanding with insightful works of scientific and philosophical, the E-book Store provides a doorway to a bookish universe brimming with endless possibilities. A Transformative Factor in the Literary Landscape: The Persistent Influence of E-book Books Mariner 60 Hp 3 Cyl Manual The advent of E-book books has unquestionably reshaped the bookish scene, introducing a model shift in the way books are published, distributed, and read. Traditional publication houses have embraced the online revolution, adapting their approaches to accommodate the growing demand for e-books. This has led to a rise in the accessibility of Kindle titles, ensuring that readers have entry to a wide array of bookish works at their fingers. Moreover, Kindle books have equalized access to books, breaking down geographical barriers and providing readers worldwide with equal opportunities to engage with the written word. Irrespective of their location or socioeconomic background, individuals can now immerse themselves in the captivating world of books, fostering a global community of readers. Conclusion: Embracing the Kindle Experience Mariner 60 Hp 3 Cyl Manual E-book books Mariner 60 Hp 3 Cyl Manual, with their inherent ease, versatility, and wide array of titles, have certainly transformed the way we encounter literature. They offer readers the liberty to discover the limitless realm of written expression, anytime, anywhere. As we continue to navigate the ever-evolving online scene, Kindle books stand as testament to the enduring power of storytelling, ensuring that the joy of reading remains accessible to all.

<http://www.armchairempire.com/public/detail/Documents/Haynes%20Vespa%20Ciao%20Manual.pdf>

Table of Contents Mariner 60 Hp 3 Cyl Manual

1. Understanding the eBook Mariner 60 Hp 3 Cyl Manual
 - The Rise of Digital Reading Mariner 60 Hp 3 Cyl Manual
 - Advantages of eBooks Over Traditional Books
2. Identifying Mariner 60 Hp 3 Cyl Manual
 - Exploring Different Genres
 - Considering Fiction vs. Non-Fiction
 - Determining Your Reading Goals
3. Choosing the Right eBook Platform
 - Popular eBook Platforms
 - Features to Look for in an Mariner 60 Hp 3 Cyl Manual
 - User-Friendly Interface
4. Exploring eBook Recommendations from Mariner 60 Hp 3 Cyl Manual
 - Personalized Recommendations
 - Mariner 60 Hp 3 Cyl Manual User Reviews and Ratings
 - Mariner 60 Hp 3 Cyl Manual and Bestseller Lists
5. Accessing Mariner 60 Hp 3 Cyl Manual Free and Paid eBooks
 - Mariner 60 Hp 3 Cyl Manual Public Domain eBooks
 - Mariner 60 Hp 3 Cyl Manual eBook Subscription Services
 - Mariner 60 Hp 3 Cyl Manual Budget-Friendly Options
6. Navigating Mariner 60 Hp 3 Cyl Manual eBook Formats
 - ePub, PDF, MOBI, and More
 - Mariner 60 Hp 3 Cyl Manual Compatibility with Devices
 - Mariner 60 Hp 3 Cyl Manual Enhanced eBook Features
7. Enhancing Your Reading Experience
 - Adjustable Fonts and Text Sizes of Mariner 60 Hp 3 Cyl Manual
 - Highlighting and Note-Taking Mariner 60 Hp 3 Cyl Manual
 - Interactive Elements Mariner 60 Hp 3 Cyl Manual
8. Staying Engaged with Mariner 60 Hp 3 Cyl Manual

- Joining Online Reading Communities
 - Participating in Virtual Book Clubs
 - Following Authors and Publishers Mariner 60 Hp 3 Cyl Manual
9. Balancing eBooks and Physical Books Mariner 60 Hp 3 Cyl Manual
- Benefits of a Digital Library
 - Creating a Diverse Reading Collection Mariner 60 Hp 3 Cyl Manual
10. Overcoming Reading Challenges
- Dealing with Digital Eye Strain
 - Minimizing Distractions
 - Managing Screen Time
11. Cultivating a Reading Routine Mariner 60 Hp 3 Cyl Manual
- Setting Reading Goals Mariner 60 Hp 3 Cyl Manual
 - Carving Out Dedicated Reading Time
12. Sourcing Reliable Information of Mariner 60 Hp 3 Cyl Manual
- Fact-Checking eBook Content of Mariner 60 Hp 3 Cyl Manual
 - Distinguishing Credible Sources
13. Promoting Lifelong Learning
- Utilizing eBooks for Skill Development
 - Exploring Educational eBooks
14. Embracing eBook Trends
- Integration of Multimedia Elements
 - Interactive and Gamified eBooks

Mariner 60 Hp 3 Cyl Manual Introduction

In the digital age, access to information has become easier than ever before. The ability to download Mariner 60 Hp 3 Cyl Manual has revolutionized the way we consume written content. Whether you are a student looking for course material, an avid reader searching for your next favorite book, or a professional seeking research papers, the option to download Mariner 60 Hp 3 Cyl Manual has opened up a world of possibilities. Downloading Mariner 60 Hp 3 Cyl Manual provides numerous advantages over physical copies of books and documents. Firstly, it is incredibly convenient. Gone are the days of carrying around heavy textbooks or bulky folders filled with papers. With the click of a button, you can gain immediate access to

valuable resources on any device. This convenience allows for efficient studying, researching, and reading on the go. Moreover, the cost-effective nature of downloading Mariner 60 Hp 3 Cyl Manual has democratized knowledge. Traditional books and academic journals can be expensive, making it difficult for individuals with limited financial resources to access information. By offering free PDF downloads, publishers and authors are enabling a wider audience to benefit from their work. This inclusivity promotes equal opportunities for learning and personal growth. There are numerous websites and platforms where individuals can download Mariner 60 Hp 3 Cyl Manual. These websites range from academic databases offering research papers and journals to online libraries with an expansive collection of books from various genres. Many authors and publishers also upload their work to specific websites, granting readers access to their content without any charge. These platforms not only provide access to existing literature but also serve as an excellent platform for undiscovered authors to share their work with the world. However, it is essential to be cautious while downloading Mariner 60 Hp 3 Cyl Manual. Some websites may offer pirated or illegally obtained copies of copyrighted material. Engaging in such activities not only violates copyright laws but also undermines the efforts of authors, publishers, and researchers. To ensure ethical downloading, it is advisable to utilize reputable websites that prioritize the legal distribution of content. When downloading Mariner 60 Hp 3 Cyl Manual, users should also consider the potential security risks associated with online platforms. Malicious actors may exploit vulnerabilities in unprotected websites to distribute malware or steal personal information. To protect themselves, individuals should ensure their devices have reliable antivirus software installed and validate the legitimacy of the websites they are downloading from. In conclusion, the ability to download Mariner 60 Hp 3 Cyl Manual has transformed the way we access information. With the convenience, cost-effectiveness, and accessibility it offers, free PDF downloads have become a popular choice for students, researchers, and book lovers worldwide. However, it is crucial to engage in ethical downloading practices and prioritize personal security when utilizing online platforms. By doing so, individuals can make the most of the vast array of free PDF resources available and embark on a journey of continuous learning and intellectual growth.

FAQs About Mariner 60 Hp 3 Cyl Manual Books

1. Where can I buy Mariner 60 Hp 3 Cyl Manual books? Bookstores: Physical bookstores like Barnes & Noble, Waterstones, and independent local stores. Online Retailers: Amazon, Book Depository, and various online bookstores offer a wide range of books in physical and digital formats.
2. What are the different book formats available? Hardcover: Sturdy and durable, usually more expensive. Paperback:

- Cheaper, lighter, and more portable than hardcovers. E-books: Digital books available for e-readers like Kindle or software like Apple Books, Kindle, and Google Play Books.
3. How do I choose a Mariner 60 Hp 3 Cyl Manual book to read? Genres: Consider the genre you enjoy (fiction, non-fiction, mystery, sci-fi, etc.). Recommendations: Ask friends, join book clubs, or explore online reviews and recommendations. Author: If you like a particular author, you might enjoy more of their work.
 4. How do I take care of Mariner 60 Hp 3 Cyl Manual books? Storage: Keep them away from direct sunlight and in a dry environment. Handling: Avoid folding pages, use bookmarks, and handle them with clean hands. Cleaning: Gently dust the covers and pages occasionally.
 5. Can I borrow books without buying them? Public Libraries: Local libraries offer a wide range of books for borrowing. Book Swaps: Community book exchanges or online platforms where people exchange books.
 6. How can I track my reading progress or manage my book collection? Book Tracking Apps: Goodreads, LibraryThing, and Book Catalogue are popular apps for tracking your reading progress and managing book collections. Spreadsheets: You can create your own spreadsheet to track books read, ratings, and other details.
 7. What are Mariner 60 Hp 3 Cyl Manual audiobooks, and where can I find them? Audiobooks: Audio recordings of books, perfect for listening while commuting or multitasking. Platforms: Audible, LibriVox, and Google Play Books offer a wide selection of audiobooks.
 8. How do I support authors or the book industry? Buy Books: Purchase books from authors or independent bookstores. Reviews: Leave reviews on platforms like Goodreads or Amazon. Promotion: Share your favorite books on social media or recommend them to friends.
 9. Are there book clubs or reading communities I can join? Local Clubs: Check for local book clubs in libraries or community centers. Online Communities: Platforms like Goodreads have virtual book clubs and discussion groups.
 10. Can I read Mariner 60 Hp 3 Cyl Manual books for free? Public Domain Books: Many classic books are available for free as they're in the public domain. Free E-books: Some websites offer free e-books legally, like Project Gutenberg or Open Library.

Find Mariner 60 Hp 3 Cyl Manual :

haynes vespa ciao manual

hcsw handbook 2010 answers

healing trauma attachment mind body and brain

[haynes repair manual vauxhall astra estate](#)

[healthy recipe cookbook](#)

[hcg diet 800 calorie protocol second edition](#)

[head to toe pictures eric carle printables](#)

healing your heart of painful emotions

heart of 8 what is muay thai volume 1 deliverance

hazmat study guide for la

[he who lifts the skies genesis trilogy](#)

[healing souls psychotherapy in the latter day saint community](#)

haynes repair manual rover 45

[heartland seizoen 4 ondertiteld](#)

[haynes repair manual suzuki bandin](#)

Mariner 60 Hp 3 Cyl Manual :

valeo alternator wiring diagram wiring diagram - Mar 10 2023

web mar 16 2023 the valeo alternator wiring diagram makes it simple for anyone to understand the complex network of wires cables and connectors that power their vehicle this comprehensive diagram provides an all in one overview of the alternator with diagrams of the starter battery solenoid relays and more

[valeo alternator wiring diagram diagram board](#) - Apr 11 2023

web apr 1 2022 valeo alternator wiring diagrams are essential for anyone who wants to ensure their vehicle is running as efficiently as possible with easy to understand diagrams and detailed installation guides you can quickly and accurately diagnose any issues and get your vehicle up and running in no time

valeo type alternator voltage regulators alternatorparts com - Jan 28 2022

web voltage regulator brush holder assembly for valeo alternators used on 2002 92 audi bmw mercedes vw volvo vehicles replaces mercedes 002 154 91 06 paris rhone 593133 peugeot citroen 576187 576190 valeo

[valeo alternator wiring diagram wiring diagram](#) - Aug 03 2022

web jun 8 2022 this is why having a detailed and accurate valeo alternator wiring diagram is essential the valeo alternator wiring diagram is a comprehensive guide that shows the wiring requirements of this popular and durable alternator it contains detailed diagrams of the alternator and all its components

[valeo alternator wiring diagram wiring digital and schematic](#) - Apr 30 2022

web aug 19 2021 valeo alternator wiring diagram wiring digital and schematic

installation and troubleshooting guide balmar - Feb 09 2023

web smart ready regulator for valeo wiring instructions wiring when using the internal smart ready regulator without external regulation when using the internal smart ready regulator independently the red sense wire must be connected to the b terminal of the alternator in cases where a battery isolator has been

valeo alternator wiring diagram pdf squarespace - Mar 30 2022

web valeo alternator wiring diagrams are diagrams meant to be used in conjunction with repairs upgrades and modification of an alternator s electrical system each diagram includes the details about the electrical output power and current as well as the inputs for the external electrical devices typically used in alternators

valeo alternator wiring diagram pdf wiring work - Dec 27 2021

web aug 27 2022 car alternators make great electric motors here s how hackaday alpha alternator bosch alternator parts breakdown are listed with the unit replacement options rebuild list alpha alternator a3375 valeo alternators automotive electronics technical customer doentation valeo alternator wiring pelican parts forums

alternator wiring diagram a complete tutorial edrawmax - Jul 02 2022

web the circuit comprises three main wires battery positive cable voltage sensing wire and ignition wire the ignition input wire is attached to the engine it conducts electricity from the engine to the alternator while the voltage detecting cable senses the voltage and is attached to the rectifier

alternator voltage regulation 101 with wiring diagrams - Nov 06 2022

web aug 3 2023 learn how a car alternator works and find detailed alternator wiring diagrams including for 3 wire connections in this article read on get expert answers to your auto repair questions

valeo alternator wiring diagram - Jul 14 2023

web oct 17 2017 valeo one of the leading manufacturers of alternators has their own wiring diagrams designed specifically for their alternators these high quality diagrams provide precise information on the connection function and flow of electricity between electrical system components

valeo alternator wiring diagram wiring work - Oct 05 2022

web jan 3 2023 in this article we ll take you through the steps of understanding the valeo alternator wiring diagram from unpacking your new alternator to connecting it up to your car s power system we ll also cover some of the key parts of the diagram and explain how to identify and interpret them

valeo alternator wiring diagram pdf wiring diagram - Sep 04 2022

web apr 17 2023 the valeo alternator wiring diagram pdf is an invaluable resource for anyone looking to better understand

the intricate workings of their vehicle's alternator with its detailed diagrams and easy to follow instructions this document is essential for anyone looking to diagnose and repair any electrical issues they may have

valeo alternator wiring diagram wiring scan - May 12 2023

web dec 19 2022 the valeo alternator wiring diagram is a must have for any car enthusiast this simple diagram shows the connection points and wiring used in cars with the valeo alternator system it's easy to follow and makes it much simpler to install troubleshoot and repair the alternator

volvo penta alternator wiring ybw forum - Feb 26 2022

web aug 28 2007 1 dalex new member joined 11 jul 2005 messages 308 location suffolk hi folks calling on the powers of you all in the hope i can get my alternator charging again i removed the alternator from the starboard of a pair of ad41b's and like a total waart forgot to note where the wiring goes guessing it was the same as the port engine

valeo alternator wiring diagram pdf diagram circuit - Dec 07 2022

web may 4 2022 in this article we'll cover the basics of reading a valeo alternator wiring diagram so you can get the job done quickly and safely reading a valeo alternator wiring diagram is actually quite simple and can be done in a few steps first you should look for the power source to the alternator

car alternators valeo service - Jun 01 2022

web valeo new standard exchange alternators high efficiency machines for CO2 emissions reduction and enhanced comfort with leading OEM expertise and strong valeo is able to provide a wide range of premium quality alternators to the aftermarket

common valeo alternator wiring diagram smith co electric - Aug 15 2023

web jan 16 2017 we are looking this valeo alternator wiring diagram up from time to time as replacement units do not always come with these terminals identified there are many units that run a similar diagram to this one some have the D spade terminal in the regulator and some use the post

valeo alternator wiring diagram pdf - Jun 13 2023

web jun 25 2022 components of a valeo alternator wiring diagram a valeo alternator wiring diagram contains several components that are used to represent the electrical system these include the following battery or power source alternator regulator fuses relays and other components

valeo alternator wiring diagram wiring diagram - Jan 08 2023

web nov 28 2022 the valeo alternator wiring diagram is an essential tool for anyone who needs to install or maintain a valeo alternator it's user friendly understandable and available online for free whether you're a professional mechanic or just a car enthusiast this diagram is a must have for anyone who wants to get the job done quickly and

classic aircraft of world war ii hardcover january 1 1981 - Aug 22 2021

classic air force wikipedia - Dec 26 2021

classic aircraft of world war ii classic free download borrow - Jun 12 2023

web a history of ww2 in 25 airplanes air space magazine smithsonian magazine mustangs mitchells catalinas liberators corsairs combat aircraft that were everyday

republic p 47 thunderbolt wikipedia - Jul 01 2022

web the list of aircraft of world war ii includes all the aircraft used by those countries which were at war during world war ii from the period between their joining the conflict and

classic aircraft top 12 world war ii dogfighters - Apr 10 2023

web the museum s collection of 30 world war ii era american military aircraft ranges from propeller driven trainers fighters flying boats and bombers to the nation s first

classic aircraft of world war ii archive org - Jul 13 2023

web airplanes military history 20th century world war 1939 1945 1939 1945 aerial operations fighter planes military operations aerial airplanes military publisher

why the p 47 thunderbolt a world war ii beast of the - Nov 05 2022

web military aircraft came of age during world war ii and their utility for both military and nonmilitary purposes expanded during the cold war era and beyond a list of some of

classic aircraft of world war ii hardcover 1982 biblio - Nov 24 2021

the 10 most legendary planes of ww2 ranked from worst to - May 31 2022

web classic air force was a charitably based aircraft preservation organisation sited in coventry west midlands specialising in classic aircraft from the period between the

a history of ww2 in 25 airplanes smithsonian magazine - May 11 2023

web feb 5 2015 classic aircraft top 12 world war ii dogfighters athlon outdoors classic aircraft top 12 world war ii dogfighters the simple truth is that wwii required

11 of the world s most famous warplanes britannica - Aug 02 2022

web take the quiz think you re an aviation expert read about the world s best pilots on the american heroes channel top 10 flying aces read more contents the early years

to rule the skies the greatest fighter planes of - Feb 08 2023

web nov 24 2020 looking at the shiny aluminum fuselage of the p 47 it s easy to see why world war ii pilots relied so much

on this aircraft large and lasting she was the beast

[list of aircraft of world war ii wikipedia](#) - Aug 14 2023

web 79 rows list of aircraft of world war ii the list of aircraft of world war ii includes all the aircraft used by those countries which were at war during world war ii from the period between their joining the conflict and the conflict ending for them aircraft developed but

wisconsin airbnb made from world war ii cargo plane - Sep 22 2021

classic airplanes howstuffworks - Mar 29 2022

web here is a list of aircraft used by the british royal air force raf royal navy fleet air arm faa army air corps aac and british overseas airways corporation boac during

20 vintage planes you can still fly in cnn - Sep 03 2022

web classic aircraft of world war ii various large and heavy book classic aircraft of world war ii presents detailed profiles of the six most significant and dramatic aircraft

[world war ii aircraft national air and space museum](#) - Jan 07 2023

web world war ii aircraft small fast and agile fighters struggled for air superiority in all theaters of the war regardless of being ground attack aircraft dive bombers torpedo

[list of aircraft of the united kingdom in world war ii](#) - Oct 24 2021

antique aircraft wikipedia - Dec 06 2022

web aug 17 2016 thousands were built during world war ii where it was the workhorse of the allied armies in all theaters of the war a version was produced in the soviet union

[list of aircraft of world war ii military wiki fandom](#) - Feb 25 2022

web 2 days ago the u s marine corps used the planes for military transport between guam midway and pearl harbor the lady luck is a world war ii era douglas dc 3 cargo

[world war ii aircraft world war ii database ww2db](#) - Oct 04 2022

web aug 11 2023 the world war ii era saw the development and scaled use of high impact war planes for the first time ushering in a new era of warfare

world war ii aircraft smithsonian institution - Mar 09 2023

web antique classic heritage raf consists of raf aircraft from world war ii and regularly takes part in official celebrations such as its flypast at the wedding of prince

classic aircraft of world war ii various theron books - Apr 29 2022

web find the best prices on classic aircraft of world war ii by bison books at biblio hardcover 1982 bison 9780861240395

world war ii aircraft simplyplanes co uk - Jan 27 2022

web jan 1 1981 classic aircraft of world war ii unknown on amazon com free shipping on qualifying offers classic aircraft of world war ii

fare l'acqua aromatizzata in casa cos'è e a cosa serve *marieclaire* - Nov 05 2022

web jul 28 2021 acque drenanti aromatizzate benefici le acque drenanti aromatizzate detox sono un ottimo apporto di minerali vitamine antiossidanti e nutrienti importanti

detox 10 acque aromatizzate per depurarsi - Aug 14 2023

fonte foto everydayroots com per questa acqua aromatizzata detox vi serviranno 2 o 3 arance tagliate a tocchetti 3 mele da affettare e da 1 a 2 litri d'acqua usate frutta bio per non doverla sbucciare lasciate in infusione 24 ore in frigorifero prima di servire le mele e le arance contengono pectina considerata see more

acque detox bormioli rocco - Mar 29 2022

web jul 5 2017 acqua detox 8 ricette di acque aromatizzate per depurarsi ideale durante il periodo estivo per la sua azione rinfrescante l'acqua detox è un vero supporto

acqua aromatizzata detox cosa è come si fa ricette - Apr 10 2023

web apr 13 2018 acqua aromatizzata detox cosa è un'acqua aromatizzata a cosa serve e perchè ha effetto detox e purificante come si prepara e le ricette con gli ingredienti da

acque detox 5 ricette facili e veloci per depurarsi - Sep 22 2021

acque aromatizzate acqua detox chiarapassion - May 31 2022

web acque aromatizzate e detox deliziose ricette e utili consigli per depurarsi e vivere più sani e in forma serretta clara amazon com tr kitap

acque aromatizzate detox perfette per la dieta - Sep 03 2022

web ho chiesto a valentina di proporci alcune delle sue ricette che consiglia anche a chi si rivolge a lei per imparare a seguire uno stile di vita più sano di seguito trovate le sue 3 acque detox preferite le proprietà e come prepararle in poco tempo acqua detox anguria e cetriolo

acqua detox o acqua aromatizzata benefici e ricette - Feb 25 2022

web acque aromatizzate ayurvediche bevande detox silvia sono dei veri elisir di benessere le acque aromatizzate con spezie e oli essenziali si sorseggiano calde o tiepide nel corso della giornata secondo le indicazioni dell'ayurveda l'antica

acque aromatizzate detox 5 varianti fai da te - Mar 09 2023

web may 31 2017 sono le acque aromatizzate detox detox water da creare su misura in base a gusti e obiettivi per prepararle serve solo della frutta qualche erba aromatica e

acqua detox aromatizzata benefici e ricette quando - May 11 2023

web acque detox le acque aromatizzate kanelos weiner jessie amazon com tr kitap

acque detox le acque aromatizzate amazon com tr - Jul 13 2023

fonte foto onehundredmilesaway wordpress com per preparare questa acqua aromatizzata in versione detox vi serviranno 2 litri d acqua 1 cetriolo medio 1 see more

acqua detox 8 ricette di acque aromatizzate per depurarsi - Nov 24 2021

acque aromatizzate e detox deliziose ricette e utili consigli per - Jan 27 2022

web jan 19 2020 acqua e limone È l acqua detox più semplice che ci sia eppure dalle infinite potenzialità il limone è infatti un autentica miniera di benefici naturali disseta

acque aromatizzate fai da te come prepararle e i benefici - Aug 02 2022

web vi sveliamo un segreto per contribuire a depurare l organismo senza rinunciare a una buona bevanda le acque detox o acque aromatizzate sono semplicissime da preparare

acqua detox benefici e 5 ricette per depurarsi e sgonfiarsi - Dec 06 2022

web mar 8 2019 scopri come e perché preparare le acque aromatizzate a casa dalle ricette benessere alle bottiglie con filtro da portare sempre con te rinfrescanti energizzanti

acque aromatizzate ayurvediche bevande detox blog di - Oct 24 2021

ricetta acqua aromatizzata la ricetta di giallozafferano - Dec 26 2021

acque detox le acque aromatizzate dolcissima stefy - Jun 12 2023

questa acqua di fragole è semplicissima da preparare vi serviranno essenzialmente acqua fresca fragole e se volete anche qualche fettina di limone cercate di see more

acque aromatizzate drenanti e detox fatte in casa terza luna - Jul 01 2022

web non sempre però bere quei famosi 8 bicchieri d acqua è semplice ecco allora che l acqua aromatizzata o acqua detox ci aiuta a bere di più grazie al suo gusto gradevole e non

le ricette di 5 acque aromatizzate detox alla frutta marie claire - Jan 07 2023

web maniamore condividi acque aromatizzate detox per la dieta limone fragole ananas e tanti altri tipi di frutta per disintossicare l'organismo le acque aromatizzate detox sono

acqua aromatizzata benefici come preparala e le - Oct 04 2022

web jun 6 2013 acque aromatizzate acque detox l'ingrediente base è sempre l'acqua minerale naturale o frizzante a cui aggiungerete a secondo i gusti i vari mix di ingredienti

acque aromatizzate detox i benefici e tre ricette ecocentrica - Apr 29 2022

web per preparare l'acqua aromatizzata digestiva con lamponi limone e rosmarino prendete un limone non trattato lavatelo e asciugatelo quindi ricavate la scorza prelevando solo la parte gialla realizzando un'unica spirale 1 2

le acque aromatizzate per una perfetta azione detox - Feb 08 2023

web jun 27 2022 la tipica acqua aromatizzata detox e drenante la ricetta senza dubbio più classica è semplicissima e veloce