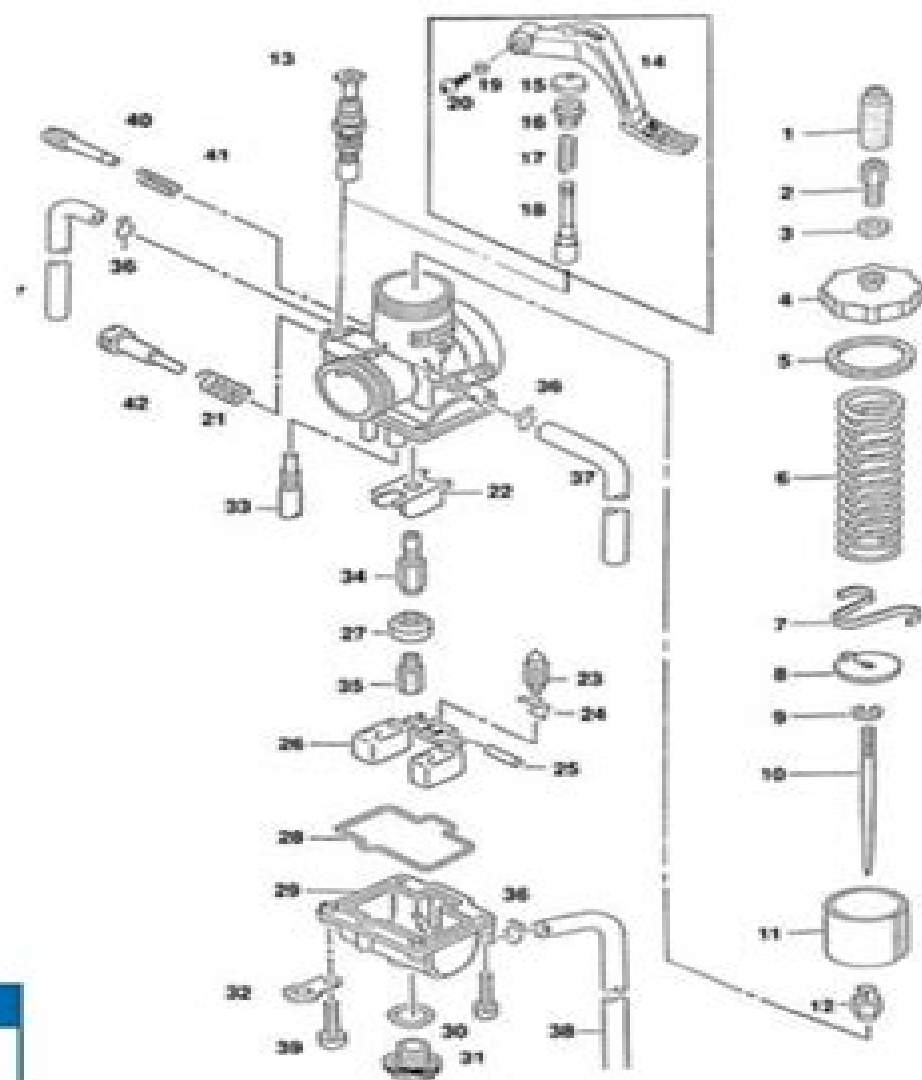


Float Height
See Specifications



NOTE: Do not remove parts that are not shown on this extended view.

PE Carburetor Dimensions

Size (mm)	A	B	C	D
PE20	31	46	83	136
PE22	31	46	83	136
PE24	31	46	83	142.1
PE28	35	50	83	150.9
PE38	44	62	95	182.5

PE Standard Jetting Specifications

Size (mm)	Main Jet	Slow Jet	Jet Needle	Throttle Valve	Float Height	Keihin No.	Order No.
PE20	#100	#58	36500	4.0	19mm	PE20/R69	016-122
PE22	#102	#40	94D00	3.5	19mm	PE22/185	016-123
PE24	#115	#52	36500	3.0	19mm	PE24/S14	016-126
PE28	#125	#40	46-JFN	2.0	19mm	PE28/R37	016-127
PE38	#160	#60	48-AJM	3.5	22.5mm	PE38/R50	016-124

Keihin Fcr Workshop Manual

Phil Mather



Keihin For Workshop Manual:

Small Engine Repair Manual Curt Choate, Robert Jex, 1991 **Workshop Manual for 4,270 Diesel Engines** Perkins Engines Limited. Service Division, 1967 *Motor Repair Manual ... Fifth Edition [of "Motor Repair Work"], Etc* MOTOR REPAIR MANUAL., 1930 *Honda C50, C70 & C90 Owners Workshop Manual* Mervyn Bleach, Jeremy Churchill, 1995 Honda CG125 Owners Workshop Manual Pete Shoemark, Jeremy Churchill, 1988 **Honda CB/CD125 T & CM125 C Twins Owners Workshop Manual** Jeremy Churchill, 1993 **The Imp Workshop Manual** Rootes Limited. Service Division, 1963 *Interceptor II & FF II Workshop Manual* Jensen Parts and Service Ltd, 1977 **Workshop Manual FJk100 FJk140 FJk160, FJk360** British Motor Corporation Service, Ltd, 1965 Kawasaki ER-6f and ER-6n Service and Repair Manual Phil Mather, 2010 **Perkins diesel engines workshop manual, P series**, 1951 **Honda VFR800FI Service and Repair Manual** Mark Coombs, 2000 Whether the reader has simple maintenance or a complete engine rebuild in mind he or she can rest assured that there is a Haynes manual for just above every popular domestic and import car truck and motorcycle By conducting complete tear downs and rebuilds the staff at Haynes Publishing has discovered all the problems owners will find when repairing or rebuilding their vehicles By documenting each process with hundreds of illustrations and step by step instructions that show the exact order of assembly Haynes manuals make every step easy to follow **Workshop Manuals and Owner's Handbooks.** Hillman Motor Car Co. Service Dept, 1951 Honda CG125 Owners Workshop Manual (1976-1990). Pete Shoemark, 1996 **Workshop Manual for 250 C.c. (15cu. In.) Single Cylinder** Triumph Engineering Co., Ltd, 1971 Workshop Manual and Instruction Book for Perkins Diesel Engines, R6 Mk 2 Perkins Engines Limited. Service Division, 1957 **Workshop Manual for Diesel Engines**, 1976 **New Cortina Workshop Manual** Ford Motor Company Ltd, 1966 **Workshop Manual Nihon Sagyōsen Kyōkai,** Royal Enfield Factory Workshop Manual Royal Enfield Uk Ltd., 2008-07-01 60 pages 57 illustrations size 8 25 x 11 inches A faithful reproduction of the Factory Workshop Manual originally published by Floyd Clymer in 1967 This fully illustrated manual covers the 736cc Interceptor MK I MK IA MK II and the Enfield Indian Chief from 1963 through 1970 As expected from a factory publication this manual includes complete technical data and comprehensive detailed instructions for the repair and overhaul of all major and minor mechanical and electrical components making it an invaluable resource for collectors and restorers of these classic Royal Enfield motorcycles It contains comprehensive Technical Specifications and includes detailed repair and rebuild data for the Engine Clutch Transmission Forks Rear Suspension Wheels Brakes and more It also includes comprehensive information on the Electrical and Ignition Equipment plus Wiring Diagrams There is adequate detailed text and illustrations to assist in major refurbishing such as an engine rebuild or even a complete mechanical renovation An essential addition to any Royal Enfield enthusiasts library this book has been out of print and unavailable for many years and is becoming increasingly more difficult to find on the secondary market This is a must have reference for this series of Royal

Enfield motorcycles and we are pleased to be able to offer this reproduction as a service to all Interceptor owners worldwide

The book delves into Keihin Fcr Workshop Manual. Keihin Fcr Workshop Manual is a vital topic that needs to be grasped by everyone, from students and scholars to the general public. The book will furnish comprehensive and in-depth insights into Keihin Fcr Workshop Manual, encompassing both the fundamentals and more intricate discussions.

1. The book is structured into several chapters, namely:

- Chapter 1: Introduction to Keihin Fcr Workshop Manual
- Chapter 2: Essential Elements of Keihin Fcr Workshop Manual
- Chapter 3: Keihin Fcr Workshop Manual in Everyday Life
- Chapter 4: Keihin Fcr Workshop Manual in Specific Contexts
- Chapter 5: Conclusion

2. In chapter 1, the author will provide an overview of Keihin Fcr Workshop Manual. The first chapter will explore what Keihin Fcr Workshop Manual is, why Keihin Fcr Workshop Manual is vital, and how to effectively learn about Keihin Fcr Workshop Manual.

3. In chapter 2, the author will delve into the foundational concepts of Keihin Fcr Workshop Manual. The second chapter will elucidate the essential principles that must be understood to grasp Keihin Fcr Workshop Manual in its entirety.

4. In chapter 3, this book will examine the practical applications of Keihin Fcr Workshop Manual in daily life. The third chapter will showcase real-world examples of how Keihin Fcr Workshop Manual can be effectively utilized in everyday scenarios.

5. In chapter 4, this book will scrutinize the relevance of Keihin Fcr Workshop Manual in specific contexts. This chapter will explore how Keihin Fcr Workshop Manual is applied in specialized fields, such as education, business, and technology.

6. In chapter 5, this book will draw a conclusion about Keihin Fcr Workshop Manual. The final chapter will summarize the key points that have been discussed throughout the book.

The book is crafted in an easy-to-understand language and is complemented by engaging illustrations. It is highly recommended for anyone seeking to gain a comprehensive understanding of Keihin Fcr Workshop Manual.

http://www.armchairempire.com/public/uploaded-files/index.jsp/Making_The_Black_Atlantic_Britain_And_The_African_Diaspora.pdf

Table of Contents Keihin Fcr Workshop Manual

1. Understanding the eBook Keihin Fcr Workshop Manual
 - The Rise of Digital Reading Keihin Fcr Workshop Manual
 - Advantages of eBooks Over Traditional Books
2. Identifying Keihin Fcr Workshop Manual
 - Exploring Different Genres
 - Considering Fiction vs. Non-Fiction
 - Determining Your Reading Goals
3. Choosing the Right eBook Platform
 - Popular eBook Platforms
 - Features to Look for in an Keihin Fcr Workshop Manual
 - User-Friendly Interface
4. Exploring eBook Recommendations from Keihin Fcr Workshop Manual
 - Personalized Recommendations
 - Keihin Fcr Workshop Manual User Reviews and Ratings
 - Keihin Fcr Workshop Manual and Bestseller Lists
5. Accessing Keihin Fcr Workshop Manual Free and Paid eBooks
 - Keihin Fcr Workshop Manual Public Domain eBooks
 - Keihin Fcr Workshop Manual eBook Subscription Services
 - Keihin Fcr Workshop Manual Budget-Friendly Options
6. Navigating Keihin Fcr Workshop Manual eBook Formats
 - ePub, PDF, MOBI, and More
 - Keihin Fcr Workshop Manual Compatibility with Devices
 - Keihin Fcr Workshop Manual Enhanced eBook Features
7. Enhancing Your Reading Experience
 - Adjustable Fonts and Text Sizes of Keihin Fcr Workshop Manual
 - Highlighting and Note-Taking Keihin Fcr Workshop Manual
 - Interactive Elements Keihin Fcr Workshop Manual
8. Staying Engaged with Keihin Fcr Workshop Manual

- Joining Online Reading Communities
 - Participating in Virtual Book Clubs
 - Following Authors and Publishers Keihin Fcr Workshop Manual
9. Balancing eBooks and Physical Books Keihin Fcr Workshop Manual
- Benefits of a Digital Library
 - Creating a Diverse Reading Collection Keihin Fcr Workshop Manual
10. Overcoming Reading Challenges
- Dealing with Digital Eye Strain
 - Minimizing Distractions
 - Managing Screen Time
11. Cultivating a Reading Routine Keihin Fcr Workshop Manual
- Setting Reading Goals Keihin Fcr Workshop Manual
 - Carving Out Dedicated Reading Time
12. Sourcing Reliable Information of Keihin Fcr Workshop Manual
- Fact-Checking eBook Content of Keihin Fcr Workshop Manual
 - Distinguishing Credible Sources
13. Promoting Lifelong Learning
- Utilizing eBooks for Skill Development
 - Exploring Educational eBooks
14. Embracing eBook Trends
- Integration of Multimedia Elements
 - Interactive and Gamified eBooks

Keihin Fcr Workshop Manual Introduction

In today's digital age, the availability of Keihin Fcr Workshop Manual books and manuals for download has revolutionized the way we access information. Gone are the days of physically flipping through pages and carrying heavy textbooks or manuals. With just a few clicks, we can now access a wealth of knowledge from the comfort of our own homes or on the go. This article will explore the advantages of Keihin Fcr Workshop Manual books and manuals for download, along with some popular platforms that offer these resources. One of the significant advantages of Keihin Fcr Workshop Manual books and manuals for download is the cost-saving aspect. Traditional books and manuals can be costly, especially if you need to purchase

several of them for educational or professional purposes. By accessing Keihin Fcr Workshop Manual versions, you eliminate the need to spend money on physical copies. This not only saves you money but also reduces the environmental impact associated with book production and transportation. Furthermore, Keihin Fcr Workshop Manual books and manuals for download are incredibly convenient. With just a computer or smartphone and an internet connection, you can access a vast library of resources on any subject imaginable. Whether you're a student looking for textbooks, a professional seeking industry-specific manuals, or someone interested in self-improvement, these digital resources provide an efficient and accessible means of acquiring knowledge. Moreover, PDF books and manuals offer a range of benefits compared to other digital formats. PDF files are designed to retain their formatting regardless of the device used to open them. This ensures that the content appears exactly as intended by the author, with no loss of formatting or missing graphics. Additionally, PDF files can be easily annotated, bookmarked, and searched for specific terms, making them highly practical for studying or referencing. When it comes to accessing Keihin Fcr Workshop Manual books and manuals, several platforms offer an extensive collection of resources. One such platform is Project Gutenberg, a nonprofit organization that provides over 60,000 free eBooks. These books are primarily in the public domain, meaning they can be freely distributed and downloaded. Project Gutenberg offers a wide range of classic literature, making it an excellent resource for literature enthusiasts. Another popular platform for Keihin Fcr Workshop Manual books and manuals is Open Library. Open Library is an initiative of the Internet Archive, a non-profit organization dedicated to digitizing cultural artifacts and making them accessible to the public. Open Library hosts millions of books, including both public domain works and contemporary titles. It also allows users to borrow digital copies of certain books for a limited period, similar to a library lending system. Additionally, many universities and educational institutions have their own digital libraries that provide free access to PDF books and manuals. These libraries often offer academic texts, research papers, and technical manuals, making them invaluable resources for students and researchers. Some notable examples include MIT OpenCourseWare, which offers free access to course materials from the Massachusetts Institute of Technology, and the Digital Public Library of America, which provides a vast collection of digitized books and historical documents. In conclusion, Keihin Fcr Workshop Manual books and manuals for download have transformed the way we access information. They provide a cost-effective and convenient means of acquiring knowledge, offering the ability to access a vast library of resources at our fingertips. With platforms like Project Gutenberg, Open Library, and various digital libraries offered by educational institutions, we have access to an ever-expanding collection of books and manuals. Whether for educational, professional, or personal purposes, these digital resources serve as valuable tools for continuous learning and self-improvement. So why not take advantage of the vast world of Keihin Fcr Workshop Manual books and manuals for download and embark on your journey of knowledge?

FAQs About Keihin Fcr Workshop Manual Books

How do I know which eBook platform is the best for me? Finding the best eBook platform depends on your reading preferences and device compatibility. Research different platforms, read user reviews, and explore their features before making a choice. Are free eBooks of good quality? Yes, many reputable platforms offer high-quality free eBooks, including classics and public domain works. However, make sure to verify the source to ensure the eBook credibility. Can I read eBooks without an eReader? Absolutely! Most eBook platforms offer web-based readers or mobile apps that allow you to read eBooks on your computer, tablet, or smartphone. How do I avoid digital eye strain while reading eBooks? To prevent digital eye strain, take regular breaks, adjust the font size and background color, and ensure proper lighting while reading eBooks. What the advantage of interactive eBooks? Interactive eBooks incorporate multimedia elements, quizzes, and activities, enhancing the reader engagement and providing a more immersive learning experience. Keihin Fcr Workshop Manual is one of the best book in our library for free trial. We provide copy of Keihin Fcr Workshop Manual in digital format, so the resources that you find are reliable. There are also many Ebooks of related with Keihin Fcr Workshop Manual. Where to download Keihin Fcr Workshop Manual online for free? Are you looking for Keihin Fcr Workshop Manual PDF? This is definitely going to save you time and cash in something you should think about.

Find Keihin Fcr Workshop Manual :

making the black atlantic britain and the african diaspora

maldiction-sept-boules-vertes-sorcire

malayalam pachakam format

mallard travel trailer owners manual

making stained glass lamps michael johnston

managerial accounting solution manual mcgraw

management evidence recovery blackstones practical

managerial accounting 6th edition problem solution manual

management accounting kaplan solutions manual

mama phd women write about motherhood and academic life

mammy a century of race gender and southern memory

malc study guide

man tgx operation manual

making things work solving complex problems in a complex world
managing collective investment funds author mark st giles jun 2013

Keihin Fcr Workshop Manual :

sample sponsorship request letter for dance party analytics - Aug 03 2022

web sample sponsorship request letter for dance party downloaded from analytics budgetbakers com by guest elle leon all hands lulu com securing sponsorship and other sources of funding for events is becoming increasingly competitive making differentiation and delivery vital event sponsorship and fundraising explores

sponsorship letters what your need to say 17 templates - Feb 26 2022

web use these event sponsorship letter templates and proposal sample from eventbrite to victory sponsors remember to structure exactly why this partnership want benefit the sponsoring party as well

sponsorship request letter format sample letters - Jun 13 2023

web letter format write the name of your event or the cause that you are requesting the sponsorship for write a short history of your organization background and also include its achievements to attract your reader make your sponsor know why you need this sponsorship from him or her

sample sponsorship request letter for dance party clr inymac - Dec 27 2021

web 2 sample sponsorship request letter for dance party 2022 03 17 sample sponsorship request letter for dance party downloaded from clr inymac com by guest jose bailey sage publications bookkeeping for churches can be quite different than for profit businesses and the other guides available cover either quickbooks or church

how to write an event sponsorship request letter with - Apr 11 2023

web jun 8 2023 photo by christina morillo how to write a sponsorship letter a step by step guide writing an effective sponsorship letter is crucial to convey your message outlining the benefits of sponsoring your event and generating interest from potential sponsors here is a step by step guide to help you craft a compelling sponsorship

how to write a sponsorship letter 7 templates wildapricot - Jun 01 2022

web apr 17 2023 we ll cover everything you need to know about sponsorship letters what they are how to write them who to send sponsor letters to plus we ve got samples and templates to get you started read more seven sponsorship letter

sample sponsorship request letter for dance party pdf - Jan 08 2023

web sponsorship request letter format with 13 sample letters 7 outstanding nonprofit sponsorship request letter samples how to write a letter requesting sponsorship with sample

sponsorship letters 5 types how to write classy - Oct 05 2022

web jan 9 2023 nonprofits and charitable organizations can reach more donors with a sponsor let s take a look at five types of sponsorship letters and how to write them in a way that stands out get ready to nail your sponsorship request and secure more funding and awareness for your nonprofit organization

how to write a sponsorship letter for an event with template - Jul 14 2023

web jul 20 2023 what is a sponsorship letter for an event a sponsorship letter for an event is a document that a nonprofit writes and sends to a potential sponsor these letters request sponsorship either from an individual or a corporation for a specific event initiative or for long term support of the nonprofit

8 templates to write the perfect event sponsorship email - Aug 15 2023

web sep 27 2022 with a list of dream sponsors and our helpful sponsorship letter templates you ll be ready to pitch and procure the support you need for your next event for help managing all aspects of your upcoming event consider eventbrite s all in one event managing software

sponsorship letters what you need to say 17 templates - Sep 04 2022

web sponsorship letters are letters nonprofits send to people or companies to request their sponsorship while you may send a general sponsorship ask many nonprofits seek sponsorship for specific events programs or initiatives for example sponsorship proposals can provide a huge chunk of the funds for fundraising events like walks runs

sponsorship letters what you need to say 17 free templates dance - May 12 2023

web sponsorship letters the basics a sponsorship is a mutually beneficial partnership where one entity receives financial supporting while the sponsor organization earns the opportunity to earn some sort of incentive or cognition for instance a nonprofit organization can request sponsorship from adenine corporation for an upcoming organize event

writing a good sponsorship request letter free sample - Apr 30 2022

web jul 20 2023 answer a sponsorship request letter is a formal written communication addressed to potential sponsors seeking financial or in kind support for an event project or initiative it outlines the purpose of the request the benefits for the sponsor and the desired level of sponsorship

sponsorship letters what you want to say 17 models - Jan 28 2022

web sponsorship letters what you want to say 17 models if your squad is consider requesting sponsorship out a local store a membership letter is a goal way to tell your cause while also proposer how this partnership will benefit both parties

10 outstanding nonprofit sponsorship request letter samples - Nov 06 2022

web check out these sponsorship request letter samples to get inspired sponsorship letter for events corporate sponsorship letter sponsorship letter for sports sponsorship letter for schools church sponsorship letter food donation request letter in kind sponsorship letter auction item sponsorship letter sponsorship letter for

how to write a letter requesting sponsorship examples wikihow - Feb 09 2023

web jul 23 2023 study sample sponsorship request letters you can find many templates for sponsorship request letters on the internet some are paid services but many are free you should read these letters to get a sense of the format and content don t copy a sample letter too closely though

sample of sponsorship proposal slideshare - Mar 30 2022

web sep 4 2013 subject request for sponsorship dear sir it is our pleasure to inform you that we are going to organize a dance party in the occasion of this event is getting place to gather all the dance and music lovers at one place and to celebrate together party is expected to

dancing singing with the king - Jul 02 2022

web dancing singing with the king

sample sponsorship request letter for dance party - Dec 07 2022

web christmas dance party aug 20 2020 crazy eye emilia and screecher have a dance party jan 13 2020 the adventures of crazy eye and his sister screecher a kindergarten to grade 2 book that parents can read out loud and kids can color in dance party journal oct 22 2020 blank 200 page journal for your writing note taking and artistic needs

how to write a event sponsorship letter hubilo - Mar 10 2023

web dec 11 2022 3 sample event sponsorship letter templates writing an event sponsorship letter is a creative way to initiate a conversation with a potential sponsor and essentially building a beneficial relationship 1 general sponsorship letter one of the most popular types of sponsorship letters are the ones written for events

fidic red book arabic english academia edu - Dec 24 2021

construction contract 2nd ed 2017 red book fidic - Sep 13 2023

web the fidic mdb edition of the red book simplifies the use of the fidic contract for the mdbs their borrowers and others involved with project procurement such as consulting

scl the new 2017 fidic red yellow and silver books - May 29 2022

web jan 28 2020 fidic red book conditions of contract for construction for building and engineering works designed by the employer 1999 fedic free download borrow

fidic red book fidic 2017 - Dec 04 2022

web introduction and fidic core principles second edition 2017 first ed 1999 red book conditions of contract for construction for building and engineering works designed by

download fidic construction contract 2nd ed 2017 - Aug 12 2023

web dec 22 2017 the red book second ed 2017 for building and engineering works designed by the employer can be found here in the select options orange box you

[fidic 1999 red book free download borrow](#) - Jul 11 2023

web nov 29 2022 the ammendments will be effective as of 1 january 2023 and are already available as three separate documents for free download from the fidic bookshop on

introduction to fidic conditions of contracts red books - Nov 03 2022

web download fidic construction contract 2nd ed 2017 red book free in pdf format download fidic construction contract 2nd ed 2017 red book

[the 2017 fidic contracts wiley online books](#) - Jun 29 2022

web understanding the fidic red book 2nd edition gives you clause by clause commentary of the fidic red book contract offering expert guidance on interpretation each clause is

pdf fidic construction contract 2nd ed 2017 red book free - Apr 27 2022

fidic construction contract 2nd ed - Oct 02 2022

web fidic red book pdf free download as pdf file pdf text file txt or read online for free fidic red book pdf

guide to the fidic conditions of contract for construction - Jul 31 2022

web delegates will be provided with a sound understanding on the practical use of the fidic construction red book design build yellow book contracts the procedures and

fidic construction contract 2nd ed 2017 red book - Feb 06 2023

web enables readers to easily understand the contract to enable better compliance and efficiency guide to the fidic conditions of contract for construction the red book 2017 helps

fidic construction contract 2nd ed 2017 red book doku - Sep 01 2022

web red book the third edition of the red book was published in march 1977 which incorporated some significant changes but these changes did not follow in respects the

overview of the red books of fidic conditions of contracts - Feb 23 2022

fidic construction contract 2nd ed 2017 red book - Jan 05 2023

web feb 7 2020 fidic contracts are the most widely used standard forms of contract for international engineering and construction projects provides a clear and comprehensive

fidic fidic launches construction contract reprints and - Mar 07 2023

web download view fidic construction contract 2nd ed 2017 red book as pdf for free more details words 98 455 pages 225
preview full text related documents fidic

fidic find the red book conditions of contract for - Apr 08 2023

web fidic red books 1987 1999 2017 justice academy introduction to fidic conditions of contracts red books lecture 02 08th
august 2020 author presenter tahseen

understanding the fidic red book - Nov 22 2021

fidic 1999 red book conditions of contract for - Jun 10 2023

web construction contract 2nd ed 2017 red book reprinted 2022 with amendments for building and engineering works
designed by the employer general conditions

a practical approach to fidic contracts udemy - Jan 25 2022

the fidic suite of contracts - May 09 2023

web fidic red book a companion to the 2017 construction contract authors jakob b sørensen published 2019 fidic red book is
a practical guide for anyone involved in

fidic red book pdf pdf business computing and scribd - Mar 27 2022

fidic red book conditions of contract for construction for - Oct 22 2021

we are not yet equal understanding our racial divide goodreads - Oct 23 2023

web sep 11 2018 we are not yet equal understanding our racial divide closely examines the policy assaults and legal
contortions that were undertaken in response to five american history landmarks that made things more equal for african
americans

we are not yet equal understanding our racial divide - Sep 22 2023

web sep 11 2018 we are not yet equal takes anderson s interpretation of the causes of systemic racism in the usa and makes
it accessible to a teenage audience and to anyone who has not taken an american high school history class

we are not yet equal understanding our racial div pdf - Jun 19 2023

web inextricable link between class and race why i m no longer talking to white people about race is the essential handbook
for anyone who wants to understand race relations in britain today the no 1 sunday times bestseller winner of the british
book awards non fiction narrative book of the year 2018 foyles non

we are not yet equal understanding our racial div download - Jul 08 2022

web the equality machine we are not yet equal understanding our racial div downloaded from legacy theoec org by guest myla eddie equal means equal brazos press america s problem with race has deep roots with the country s foundation tied to the near extermination of one race of people and the enslavement of another racism is truly our

we are not yet equal understanding our racial divide - Jul 20 2023

web we are not yet equal examines five of these moments the end of the civil war and reconstruction was greeted with jim crow laws the promise of new opportunities in the north during the great migration was limited when blacks were physically blocked from moving away from the south the supreme court s landmark 1954 brown v

we are not yet equal understanding our racial divide - May 18 2023

web sep 11 2018 we are not yet equal understanding our racial divide kindle edition by anderson carol bolden tonya download it once and read it on your kindle device pc phones or tablets use features like bookmarks note taking and highlighting while reading we are not yet equal understanding our racial divide

singapore signs un pact to eliminate all forms of racial discrimination - Oct 11 2022

web oct 20 2015 singapore singapore has signed an international agreement committing to eliminate discrimination on the basis of race read more at straitstimes com

we are not yet equal understanding our racial divide - Aug 21 2023

web oct 29 2019 we are not yet equal understanding our racial divide paperback october 29 2019 by carol anderson author tonya bolden author 4 7 4 7 out of 5 stars 232 ratings

we are not yet equal understanding our racial div full pdf - May 06 2022

web we are not yet equal understanding our racial div understanding race and ethnic relations sep 18 2021 for undergraduate and graduate introductory level courses in race and ethnic relations introducing the core theories concepts and issues concerning race and ethnic relations in the united states based on the top selling title by

is the hdb ethnic integration policy and ethnic quota still relevant - Mar 04 2022

web jul 5 2021 the policy is similar to the singapore permanent resident spr quota implemented by hdb under the eip limits are set on the total percentage of a block or neighbourhood that may be occupied by a certain ethnicity these ethnic quotas which are updated on the first of every month are meant to reflect the racial composition in

we are not yet equal understanding our racial divide - Apr 17 2023

web sep 11 2018 we are not yet equal examines five of these moments the end of the civil war and reconstruction was greeted with jim crow laws the promise of new opportunities in the north during the

we are not yet equal understanding our racial div book - Sep 10 2022

web we are not yet equal understanding our racial divide the inner level sep 05 2022 a groundbreaking investigation of how inequality infects our minds and gets under our skin why are people more relaxed and at ease with each other in some countries than others why do we worry so much about what others think of us

we are not yet equal understanding our racial divide - Mar 16 2023

web may 1 2019 now in we are not yet equal understanding our racial divide anderson writes in tandem with children s and young adult literature author tonya bolden to adapt white rage for younger readers although written for younger readers this book does not dumb down the subject matter

we are not yet equal understanding our racial divide bookshop - Dec 13 2022

web this young adult adaptation of the new york times bestselling white rage is essential antiracist reading for teens an naacp image award finalist a kirkus reviews best book of the year a nypl best book for teens

pdf we are not yet equal understanding our racial divide - Jun 07 2022

web we are not yet equal understanding our racial divide my white friends trivialise racism by labelling everything racist how the guardian sep 06 2015 my white friends trivialise racism by labelling everything racist how the guardian depressing stat explains giants swift fall in nl wild card race nbc sports bay area apr 06 2018

calling singapore a terribly racist country only divides us - Apr 05 2022

web feb 1 2019 this is not a singapore thing but a human thing but there is plenty of evidence that seriously undermines thanapal s claim that singapore as a whole is a terribly racist country before we get carried away with broad sweeping claims of widespread racism we need to have some global perspective on the issue

we are not yet equal understanding our racial divide common sense media - Feb 15 2023

web sep 11 2018 parents need to know that we are not yet equal understanding our racial divide is the young adult adaption of carol anderson s white rage a winner of the national book critics circle award and a new york times notable book of the year the book examines five milestones of progress by the community reviews see all parents

why does singapore treat different races unequally - Aug 09 2022

web jul 6 2020 to respond to this question he argued that equality of men is an aspiration rather than the reality and explained why the constitution of singapore enjoins us to specially look after the position of the malays and other minorities

we are not yet equal understanding our racial divide - Jan 14 2023

web we are not yet equal understanding our racial divide by carol anderson 323 1196 ande when america achieves milestones of progress toward full and equal black participation in democracy the systemic response is a consistent racist backlash that rolls back those wins we are not yet equal examines five of these moments mammoth

we are not yet equal understanding our racial divide - Nov 12 2022

web we are not yet equal takes anderson s interpretation of the causes of systemic racism in the usa and makes it accessible to a teenage audience and to anyone who has not taken an american high school history class