

# KENMORE INDUCTION COOKTOP INSTALLATION INSTRUCTIONS

**INSTALLATION AND SERVICE MUST BE PERFORMED BY A QUALIFIED INSTALLER.**  
**IMPORTANT: SAVE FOR LOCAL ELECTRICAL INSPECTOR'S USE.**  
**READ AND SAVE THESE INSTRUCTIONS FOR FUTURE REFERENCE.**

**⚠ WARNING** FOR YOUR SAFETY: Do not store or use gasoline or other flammable vapors and liquids in the vicinity of this or any other appliance.

## IMPORTANT INSTALLATION INFORMATION

- All electric cooktops run off a single phase, three-wire or four-wire cable, 240/208 volt, 60 hertz, AC only electrical supply with ground.
- Minimum distance between cooktop and overhead cabinetry is 30" (76.2 cm).

\* 30" (76.2 cm) min. for unprotected cabinet and 24" (61 cm) min. for cabinet with protected bottom surface.

\*\* DO NOT obstruct these areas.

Cooktop Dimensions

Cooktop Cutout Dimensions

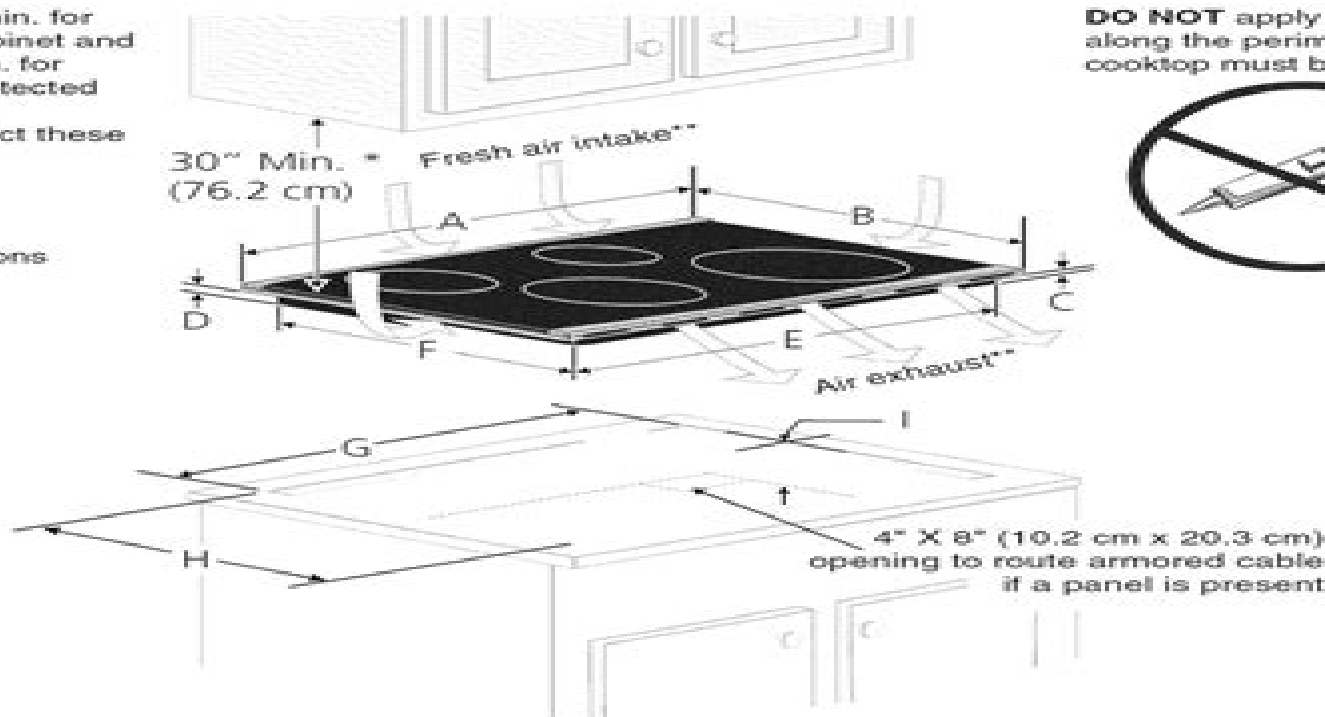


Figure 1

**DO NOT** apply any sealant along the perimeter. The cooktop must breathe freely.



COOKTOP DIMENSIONS						CUTOUT DIMENSIONS				
A. WIDTH	B. DEPTH	HEIGHT		E. WIDTH	F. DEPTH	G. WIDTH		H. DEPTH		I. HEIGHT
		C	D			Min.	Max.	Min.	Max.	
30 $\frac{1}{4}$ (78.1)	21 $\frac{1}{2}$ (54.6)	3 (7.6)	4 $\frac{1}{4}$ (11.1)	28 $\frac{1}{4}$ (73.3)	20 (50.8)	29 $\frac{1}{4}$ (75.2)	29 $\frac{1}{4}$ (75.6)	20 $\frac{1}{2}$ (51.8)	20 $\frac{1}{2}$ (52.1)	4 $\frac{1}{2}$ (11.4)
36 $\frac{1}{4}$ (93.3)	21 $\frac{1}{2}$ (54.6)	3 (7.6)	4 $\frac{1}{4}$ (11.1)	35 $\frac{1}{4}$ (89.5)	20 (50.8)	35 $\frac{1}{4}$ (91.1)	36 (91.4)	20 $\frac{1}{2}$ (51.8)	20 $\frac{1}{2}$ (52.1)	4 $\frac{1}{2}$ (11.4)

All dimensions are stated in inches and (cm).

Allow 2" (5 cm) space below the armored cable opening to clear the electric cable and allow space for installation of the junction box on the wall at the back of the cooktop.

P/N 318205407 (0807) Rev. A

English – pages 1-6

Español – pages 7-12

# Kenmore Elite Electric Cooktop Manual

**Sears, Roebuck and Company**



## **Kenmore Elite Electric Cooktop Manual:**

**Buying Guide 2001** Consumer Reports Books Editors, The Editors of Consumer R, Consumer Reports, 2000-11 This compact book contains the best buying advice from Consumer Reports along with expert strategies for finding many products at the best prices Includes advice for shopping online by mail order or in stores lab test results and a preview of the 2001 model year vehicles

**Best Buys for Your Home** Consumer Reports, 2001 Based on the latest results from the Consumer Reports labs this 2001 edition features brand name ratings for more than 500 products from washers and dryers to lawnmowers wallpaper ranges and air conditioners

**Best Buys for Your Home 2004** Consumer Reports (Firm), 2004-02-03 The editors at Consumer Reports show how to choose the best equipment for the kitchen home entertainment system tool shed and more from performance differences to recommendations

**Buying Guide 2002** Consumer Reports, 2001-11 Do your homework to determine the best value with this annually updated buying guide from Consumer Reports Includes information on what's new in home entertainment vehicles appliances and home office equipment Ratings charts and index

Buying Guide 2003 Consumer Reports, 2002-11 Contains specific recommendations for various household products and car repair records

**The eBay Price Guide** Julia L. Wilkinson, 2006 Provides lists of selling prices of items found on eBay in such categories as antiques boats books cameras coins collectibles dolls DVDs real estate stamps tickets and video games

*Canadian Buying Guide 2003* Consumer Reports, Consumer Reports Books Editors, 2002-10-14

**Consumer Reports 2002** Consumer Reports, 2003-02

**Consumer Reports 2004**, 2003

**The Buying Guide 2004** Consumer Reports, 2003-11-29 Whatever your shopping style diligent researcher casual browser or determined time saver Consumer Reports is there with its all new 2004 edition of The Buying Guide Trusted product reviews comparisons test results and Ratings of over 800 products combined with the expertise of Consumer Reports will help you in making your buying decisions for the entire year

**Cooking with Your Kenmore Electric Range** Sears, Roebuck and Company, 1958

**Electric Cooking with Your Kenmore, Recipes and Instructions** Sears, Roebuck and Company, 1954

**Kenmore Heat Control Appliances** Sears, Roebuck and Company, 1957

**Easy, Sure Electric Cooking with Your Kenmore** Sears, Roebuck and Company, 1950

**Kenmore Heat Control Appliances** Sears, Roebuck and Company, 1959

*Sears Coldspot and Kenmore Refrigerators* Sears, Roebuck and Company, 1977

*Jenn-air Electric Cooktops Service Manual*, 1997

**Kenmore Automatic Electric Roaster** Jean Shaw, Sears, Roebuck and Company, 1952

Sears Coldspot and Kenmore Refrigerators Service Manual Sears, Roebuck and Company, 1981

**Coldspot and Kenmore Refrigerators Service Manual** Sears, Roebuck and Company, 1981

Embark on a breathtaking journey through nature and adventure with Crafted by is mesmerizing ebook, Witness the Wonders in **Kenmore Elite Electric Cooktop Manual** . This immersive experience, available for download in a PDF format ( PDF Size: \*), transports you to the heart of natural marvels and thrilling escapades. Download now and let the adventure begin!

<http://www.armchairempire.com/results/scholarship/default.aspx/maggi%20saw%20manual.pdf>

## **Table of Contents Kenmore Elite Electric Cooktop Manual**

1. Understanding the eBook Kenmore Elite Electric Cooktop Manual
  - The Rise of Digital Reading Kenmore Elite Electric Cooktop Manual
  - Advantages of eBooks Over Traditional Books
2. Identifying Kenmore Elite Electric Cooktop Manual
  - Exploring Different Genres
  - Considering Fiction vs. Non-Fiction
  - Determining Your Reading Goals
3. Choosing the Right eBook Platform
  - Popular eBook Platforms
  - Features to Look for in an Kenmore Elite Electric Cooktop Manual
  - User-Friendly Interface
4. Exploring eBook Recommendations from Kenmore Elite Electric Cooktop Manual
  - Personalized Recommendations
  - Kenmore Elite Electric Cooktop Manual User Reviews and Ratings
  - Kenmore Elite Electric Cooktop Manual and Bestseller Lists
5. Accessing Kenmore Elite Electric Cooktop Manual Free and Paid eBooks
  - Kenmore Elite Electric Cooktop Manual Public Domain eBooks
  - Kenmore Elite Electric Cooktop Manual eBook Subscription Services
  - Kenmore Elite Electric Cooktop Manual Budget-Friendly Options

6. Navigating Kenmore Elite Electric Cooktop Manual eBook Formats
  - ePub, PDF, MOBI, and More
  - Kenmore Elite Electric Cooktop Manual Compatibility with Devices
  - Kenmore Elite Electric Cooktop Manual Enhanced eBook Features
7. Enhancing Your Reading Experience
  - Adjustable Fonts and Text Sizes of Kenmore Elite Electric Cooktop Manual
  - Highlighting and Note-Taking Kenmore Elite Electric Cooktop Manual
  - Interactive Elements Kenmore Elite Electric Cooktop Manual
8. Staying Engaged with Kenmore Elite Electric Cooktop Manual
  - Joining Online Reading Communities
  - Participating in Virtual Book Clubs
  - Following Authors and Publishers Kenmore Elite Electric Cooktop Manual
9. Balancing eBooks and Physical Books Kenmore Elite Electric Cooktop Manual
  - Benefits of a Digital Library
  - Creating a Diverse Reading Collection Kenmore Elite Electric Cooktop Manual
10. Overcoming Reading Challenges
  - Dealing with Digital Eye Strain
  - Minimizing Distractions
  - Managing Screen Time
11. Cultivating a Reading Routine Kenmore Elite Electric Cooktop Manual
  - Setting Reading Goals Kenmore Elite Electric Cooktop Manual
  - Carving Out Dedicated Reading Time
12. Sourcing Reliable Information of Kenmore Elite Electric Cooktop Manual
  - Fact-Checking eBook Content of Kenmore Elite Electric Cooktop Manual
  - Distinguishing Credible Sources
13. Promoting Lifelong Learning
  - Utilizing eBooks for Skill Development
  - Exploring Educational eBooks
14. Embracing eBook Trends
  - Integration of Multimedia Elements

- Interactive and Gamified eBooks

### **Kenmore Elite Electric Cooktop Manual Introduction**

In today's digital age, the availability of Kenmore Elite Electric Cooktop Manual books and manuals for download has revolutionized the way we access information. Gone are the days of physically flipping through pages and carrying heavy textbooks or manuals. With just a few clicks, we can now access a wealth of knowledge from the comfort of our own homes or on the go. This article will explore the advantages of Kenmore Elite Electric Cooktop Manual books and manuals for download, along with some popular platforms that offer these resources. One of the significant advantages of Kenmore Elite Electric Cooktop Manual books and manuals for download is the cost-saving aspect. Traditional books and manuals can be costly, especially if you need to purchase several of them for educational or professional purposes. By accessing Kenmore Elite Electric Cooktop Manual versions, you eliminate the need to spend money on physical copies. This not only saves you money but also reduces the environmental impact associated with book production and transportation. Furthermore, Kenmore Elite Electric Cooktop Manual books and manuals for download are incredibly convenient. With just a computer or smartphone and an internet connection, you can access a vast library of resources on any subject imaginable. Whether you're a student looking for textbooks, a professional seeking industry-specific manuals, or someone interested in self-improvement, these digital resources provide an efficient and accessible means of acquiring knowledge. Moreover, PDF books and manuals offer a range of benefits compared to other digital formats. PDF files are designed to retain their formatting regardless of the device used to open them. This ensures that the content appears exactly as intended by the author, with no loss of formatting or missing graphics. Additionally, PDF files can be easily annotated, bookmarked, and searched for specific terms, making them highly practical for studying or referencing. When it comes to accessing Kenmore Elite Electric Cooktop Manual books and manuals, several platforms offer an extensive collection of resources. One such platform is Project Gutenberg, a nonprofit organization that provides over 60,000 free eBooks. These books are primarily in the public domain, meaning they can be freely distributed and downloaded. Project Gutenberg offers a wide range of classic literature, making it an excellent resource for literature enthusiasts. Another popular platform for Kenmore Elite Electric Cooktop Manual books and manuals is Open Library. Open Library is an initiative of the Internet Archive, a non-profit organization dedicated to digitizing cultural artifacts and making them accessible to the public. Open Library hosts millions of books, including both public domain works and contemporary titles. It also allows users to borrow digital copies of certain books for a limited period, similar to a library lending system. Additionally, many universities and educational institutions have their own digital libraries that provide free access to PDF books and manuals. These libraries often offer academic texts, research papers, and technical manuals, making them invaluable resources for students and researchers. Some notable examples include MIT OpenCourseWare,

which offers free access to course materials from the Massachusetts Institute of Technology, and the Digital Public Library of America, which provides a vast collection of digitized books and historical documents. In conclusion, Kenmore Elite Electric Cooktop Manual books and manuals for download have transformed the way we access information. They provide a cost-effective and convenient means of acquiring knowledge, offering the ability to access a vast library of resources at our fingertips. With platforms like Project Gutenberg, Open Library, and various digital libraries offered by educational institutions, we have access to an ever-expanding collection of books and manuals. Whether for educational, professional, or personal purposes, these digital resources serve as valuable tools for continuous learning and self-improvement. So why not take advantage of the vast world of Kenmore Elite Electric Cooktop Manual books and manuals for download and embark on your journey of knowledge?

### **FAQs About Kenmore Elite Electric Cooktop Manual Books**

How do I know which eBook platform is the best for me? Finding the best eBook platform depends on your reading preferences and device compatibility. Research different platforms, read user reviews, and explore their features before making a choice. Are free eBooks of good quality? Yes, many reputable platforms offer high-quality free eBooks, including classics and public domain works. However, make sure to verify the source to ensure the eBook credibility. Can I read eBooks without an eReader? Absolutely! Most eBook platforms offer web-based readers or mobile apps that allow you to read eBooks on your computer, tablet, or smartphone. How do I avoid digital eye strain while reading eBooks? To prevent digital eye strain, take regular breaks, adjust the font size and background color, and ensure proper lighting while reading eBooks. What the advantage of interactive eBooks? Interactive eBooks incorporate multimedia elements, quizzes, and activities, enhancing the reader engagement and providing a more immersive learning experience. Kenmore Elite Electric Cooktop Manual is one of the best book in our library for free trial. We provide copy of Kenmore Elite Electric Cooktop Manual in digital format, so the resources that you find are reliable. There are also many Ebooks of related with Kenmore Elite Electric Cooktop Manual. Where to download Kenmore Elite Electric Cooktop Manual online for free? Are you looking for Kenmore Elite Electric Cooktop Manual PDF? This is definitely going to save you time and cash in something you should think about.

### **Find Kenmore Elite Electric Cooktop Manual :**

*maggi saw manual*

[mack midliner manual](#)

[magazines to read online](#)

[macbeth vocabulary guide](#)

[mac book pro battery](#)

**mafia and organized crime a beginners guide beginners guides**

[machinery condition monitoring principles and practices](#)

[mac force eject a disc](#)

**macintosh classic manual**

**magia del orden herramientas ordenar**

**machtspiele eigenen willen durchzusetzen fachbuch ebook**

**mac bash manual**

**maandblad voor handwerken ariadne nrs 254 tm 257 262 1968 277 281 1970 met raderblad per blad**

[macmillan mcgraw hill science access code](#)

**ma6 service manual**

### **Kenmore Elite Electric Cooktop Manual :**

Property & Casualty Insurance Page 1. License Exam Manual. Property & Casualty Insurance. 1st Edition ... Kaplan's. Property and Casualty InsurancePro QBank™. Go to [www.kfeducation.com](http://www.kfeducation.com) for ... Kaplan Property And Casualty Property and Casualty Insurance Exam Prep Bundle - Includes the South Carolina Property and Casualty Insurance License Exam Manual and the South Carolina ... Property & Casualty Insurance License Exam Prep Prepare, practice, and perform for a variety of state licenses with Kaplan Financial Education's property and casualty prelicensing and exam prep. Insurance Licensing Exam Prep Study Tools View descriptions of Kaplan Financial Education's insurance licensing exam prep study tools. Use ... License Exam Manual (LEM). This comprehensive textbook ... Property and Casualty Insurance License Exam Manual 1st E Property and Casualty Insurance License Exam Manual. Kaplan. Published by Kaplan (2017). ISBN 10: 1475456433 ISBN 13: 9781475456431. New Paperback Quantity: 1. Property and Casualty Insurance License Exam Manual Home Kaplan Property and Casualty Insurance License Exam Manual. Stock Image. Stock Image. Quantity: 12. Property and Casualty Insurance License Exam Manual. 0 ... Insurance Licensing Exam Prep Kaplan can help you earn a variety of state insurance licenses, including Life, Health, Property, Casualty, Adjuster, and Personal Lines. Property and casualty insurance license exam manual ... Property and casualty insurance license exam manual kaplan. Compare our property & casualty insurance licensing packages side-by-side to figure out which one ... Property and Casualty Insurance: License Exam Manual ... Property and Casualty Insurance: License Exam Manual by Kaplan Publishing Staff ; Binding. Paperback ; Weight. 2 lbs ;



Accurate description. 4.9 ; Reasonable ... dahao-a15-user-manual.pdf Danger. Don't operate the machine when there is any damage on the shelter of the running parts. Forbidden. When machine is running, do not touch any running ... Dahao Embroidery Machine Spare Parts Chinese DAHAO embroidery machine spare parts 4 6 9 12 needle Tension base case assy set thread guide THREAD TENSION BOX. \$1.00 - \$10.00. Min. order: 1.0 set. Suitable For Dahao Electronic Control China Embroidery ... Nov 2, 2023 — Suitable For Dahao Electronic Control China Embroidery Machine Parts ... Manual Shaving Razor Germany X6 Blade with Trimmer. US \$12.83. 1,000+ ... China embroidery machine spare parts - Original Dahao ... Buy China embroidery machine spare parts - Original Dahao operation box model BECS-316 control panel / electronic spare parts at Aliexpress for . BECS-C88 Owners Manual Prodigy Avance Highland ... Find many great new & used options and get the best deals for BECS-C88 Owners Manual Prodigy Avance Highland Dahao Embroidery Machine at the best online ... Buy Embroidery Machine Spare Parts And Accessories ... Buy Embroidery Machine Spare Parts And Accessories DAHAO Brand Computer Motherboard E8860B Online. €828.00. 299 in stock. Buy Embroidery Machine Spare Parts ... dahao E890 main board ,CPU board, 3X6 motherboard Dahao E890 main board. Fit for dahao BECS-3X6 computer. More dahao embroidery computer boards here : (1):322 series: E620(main card),E9102(power supply ... BECS-528 Computerized Embroidery Machine's Manual I Chapter 2 Names of Parts on Electrical Control System ... (5) Dahao computerized embroidery machine(at present, this function is supported by. DAHAO BECS-D16 OWNER'S MANUAL Pdf Download View and Download DAHAO BECS-D16 owner's manual online. Computerized Control System for Embroidery Machine. BECS-D16 sewing machine pdf manual download. Beyond Belief - The Ultimate Mind Power Manual Great read! Easy, well written, packed full of great exercises that are easy to do. Well documented with real life experiences. It is not a book you read then ... The Ultimate Mind Power Instructional Manual (Paperback) Dec 1, 2010 — Beyond Belief: The Ultimate Mind Power Instructional Manual (Paperback). By James F. Coyle. Email or call for availability. Beyond Belief: The Ultimate Mind Power Instructional Manual Beyond Belief: The Ultimate Mind Power Instructional Manual by Coyle, James F. - ISBN 10: 1921787171 - ISBN 13: 9781921787171 - Fontaine Press - 2010 ... Beyond Belief: The Ultimate Mind-Power Instructional ... Beyond Belief: The Ultimate Mind-power Instructional Manual. By James F. Coyle. Copyright © 2011 James F. Coyle. ebook published by Fontaine Press. Beyond Belief: The Ultimate Mind-power Instructional Manual Then would you find all this "Beyond Belief?" All of this, plus more is now possible!! This book explains the techniques. Beyond Belief: The Ultimate Mind-power Instructi ... ISBN. 9781921787171 ; EAN. 9781921787171 ; Book Title. Beyond Belief : the Ultimate Mind Power Instructional Manual ; Accurate description. 4.8 ; Reasonable ... the ultimate mind-power instructional manual / James F. ... Beyond belief : the ultimate mind-power instructional manual / James F. Coyle · Self-actualization (Psychology) · Thought and thinking · Mind and body · Success -- ... The Ultimate Mind Power Instructional Manual by Coyle, James F Beyond Belief: The Ultimate Mind Power Instructional Manual by Coyle, James F ; ISBN 10 1921787171 ; ISBN 13 9781921787171 ; Publisher Fontaine Press ;

Condition ... BEYOND BELIEF:THE ULTIMATE MINDPOWER ... Reviewed as the best personal mind manual on the market today. Features extraordinary mental experiments you can do to vastly improve your life. James Coyle (Author of Beyond Belief - The Ultimate Mind ... Beyond Belief - The Ultimate Mind Power Manual by James Coyle Beyond Belief - The Ultimate Mind Power Manual. 3.82 11 ratings 1 review. Published 2011. Want to ...