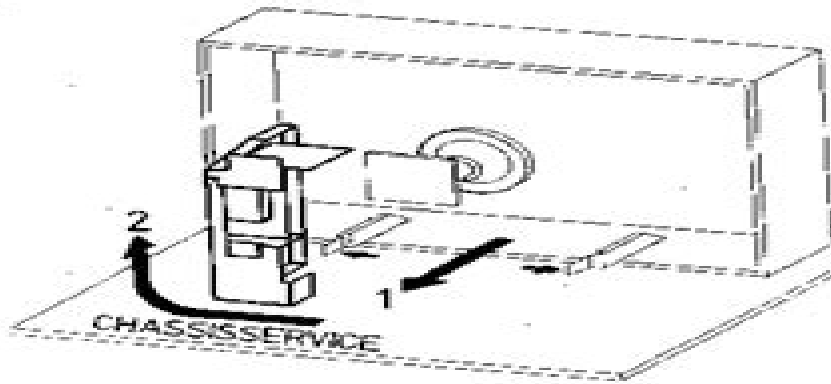


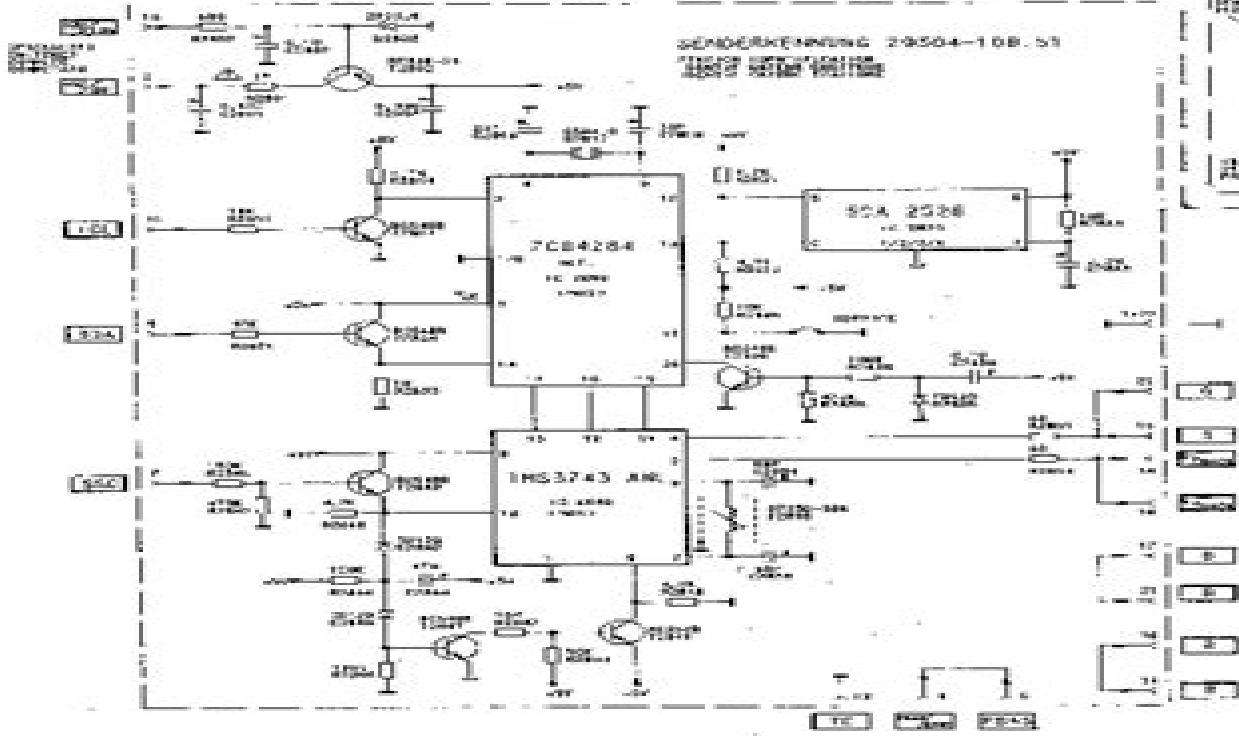
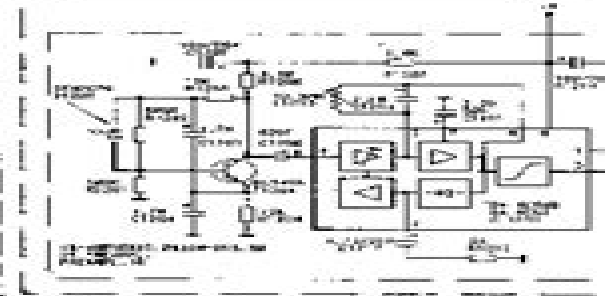
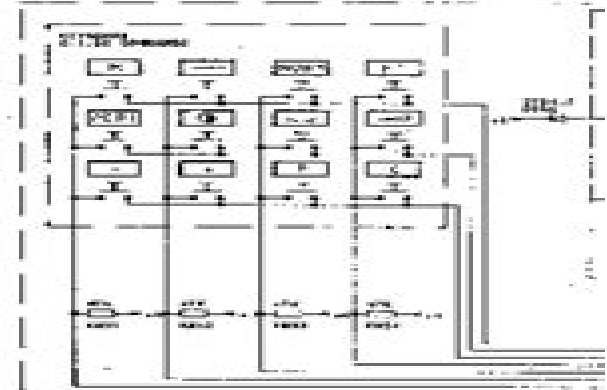
GRUNDIG CUC 3600/3800



- M 60-370 CTI
- M 60-370 CTI/teak
- M 70-390/0
- M 60-370 CTI/GB
- M 70-390 CTI/GB
- M 70-390/0 teak
- M 70-390 CTI-PC
- M 70-390/0 teak
- M 60-370 CTI/teak

VERS. B:
GER. MIT WENFLOCHLEISE
SETS WITH CUBE CABINET
APP. CON MOBILE A CUBO

- M 70-390 CTI
- M 60-370/0
- M 60-370 CTI/GB
- M 70-390 CTI/GB
- M 70-390 CTI/teak
- M 60-370/0 teak
- M 70-390 CTI/teak
- M 60-370 CTI/teak



SENDERKOPPLUNG 29304-108.51
SENDER KOPPLUNG
SENDER KOPPLUNG

Grundig Cuc 3600 Colour Television Repair Manual

Carl H. Babcoke, Stan Prentiss



Grundig Cuc 3600 Colour Television Repair Manual:

Comprehensive Television Repair Manual John McCourt,1975 **Comprehensive Colour Television Repair M J.**
Mccourt,1975 The Comprehensive Colour T.V. Repair Manual J. McCourt,1977 **General Electric Color TV Service**
Manual Robert L. Goodman,1977-01-01 **The Comprehensive Colour T.V. Repair Manual. (Second Edition.).** John
Mccourt,1974 **General Electric Color TV Service Manual** R. L. Goodman,1970-09-01 *The Comprehensive Colour*
T.v. Repair Manual John McCourt,1975 *The Comprehensive Black and White Television Repair Manual* John
Mccourt,1976 **The Comprehensive Television Repair Manual** John McCourt,1974 Foreign Colour T.V. Repair
Manual M. Phelan,1981 **Rca Color Tv Service Manual** Stan Prentiss,1971 *The Comprehensive Television Repair*
Manual John McCourt,1976 **Magnavox Color TV Service Manual** Tab Books,1970 **Magnavox Color Tv Service**
Manual S. Prentiss,1974 **Magnavox Color TV Service Manual** Stan Prentiss,1970 Zenith Color TV Service Manual
Robert L. Goodman,1971-03-01 *RCA Color TV Service Manual* Carl H. Babcoke,Stan Prentiss,1969 RCA Color TV
Service Manual ,1969 Color-TV Training Manual Howard W. Sams & Co,1970 Philco Color TV Service Manual Robert
L. Goodman,1970-05-01

Thank you for downloading **Grundig Cuc 3600 Colour Television Repair Manual**. Maybe you have knowledge that, people have search hundreds times for their favorite novels like this Grundig Cuc 3600 Colour Television Repair Manual, but end up in infectious downloads.

Rather than reading a good book with a cup of tea in the afternoon, instead they cope with some malicious bugs inside their laptop.

Grundig Cuc 3600 Colour Television Repair Manual is available in our digital library an online access to it is set as public so you can get it instantly.

Our books collection hosts in multiple locations, allowing you to get the most less latency time to download any of our books like this one.

Merely said, the Grundig Cuc 3600 Colour Television Repair Manual is universally compatible with any devices to read

http://www.armchairempire.com/files/Resources/Download_PDFS/harmony%20one%20remote%20manual.pdf

Table of Contents Grundig Cuc 3600 Colour Television Repair Manual

1. Understanding the eBook Grundig Cuc 3600 Colour Television Repair Manual
 - The Rise of Digital Reading Grundig Cuc 3600 Colour Television Repair Manual
 - Advantages of eBooks Over Traditional Books
2. Identifying Grundig Cuc 3600 Colour Television Repair Manual
 - Exploring Different Genres
 - Considering Fiction vs. Non-Fiction
 - Determining Your Reading Goals
3. Choosing the Right eBook Platform
 - Popular eBook Platforms
 - Features to Look for in an Grundig Cuc 3600 Colour Television Repair Manual
 - User-Friendly Interface
4. Exploring eBook Recommendations from Grundig Cuc 3600 Colour Television Repair Manual

- Personalized Recommendations
 - Grundig Cuc 3600 Colour Television Repair Manual User Reviews and Ratings
 - Grundig Cuc 3600 Colour Television Repair Manual and Bestseller Lists
5. Accessing Grundig Cuc 3600 Colour Television Repair Manual Free and Paid eBooks
 - Grundig Cuc 3600 Colour Television Repair Manual Public Domain eBooks
 - Grundig Cuc 3600 Colour Television Repair Manual eBook Subscription Services
 - Grundig Cuc 3600 Colour Television Repair Manual Budget-Friendly Options
 6. Navigating Grundig Cuc 3600 Colour Television Repair Manual eBook Formats
 - ePub, PDF, MOBI, and More
 - Grundig Cuc 3600 Colour Television Repair Manual Compatibility with Devices
 - Grundig Cuc 3600 Colour Television Repair Manual Enhanced eBook Features
 7. Enhancing Your Reading Experience
 - Adjustable Fonts and Text Sizes of Grundig Cuc 3600 Colour Television Repair Manual
 - Highlighting and Note-Taking Grundig Cuc 3600 Colour Television Repair Manual
 - Interactive Elements Grundig Cuc 3600 Colour Television Repair Manual
 8. Staying Engaged with Grundig Cuc 3600 Colour Television Repair Manual
 - Joining Online Reading Communities
 - Participating in Virtual Book Clubs
 - Following Authors and Publishers Grundig Cuc 3600 Colour Television Repair Manual
 9. Balancing eBooks and Physical Books Grundig Cuc 3600 Colour Television Repair Manual
 - Benefits of a Digital Library
 - Creating a Diverse Reading Collection Grundig Cuc 3600 Colour Television Repair Manual
 10. Overcoming Reading Challenges
 - Dealing with Digital Eye Strain
 - Minimizing Distractions
 - Managing Screen Time
 11. Cultivating a Reading Routine Grundig Cuc 3600 Colour Television Repair Manual
 - Setting Reading Goals Grundig Cuc 3600 Colour Television Repair Manual
 - Carving Out Dedicated Reading Time
 12. Sourcing Reliable Information of Grundig Cuc 3600 Colour Television Repair Manual

- Fact-Checking eBook Content of Grundig Cuc 3600 Colour Television Repair Manual
 - Distinguishing Credible Sources
13. Promoting Lifelong Learning
- Utilizing eBooks for Skill Development
 - Exploring Educational eBooks
14. Embracing eBook Trends
- Integration of Multimedia Elements
 - Interactive and Gamified eBooks

Grundig Cuc 3600 Colour Television Repair Manual Introduction

In the digital age, access to information has become easier than ever before. The ability to download Grundig Cuc 3600 Colour Television Repair Manual has revolutionized the way we consume written content. Whether you are a student looking for course material, an avid reader searching for your next favorite book, or a professional seeking research papers, the option to download Grundig Cuc 3600 Colour Television Repair Manual has opened up a world of possibilities. Downloading Grundig Cuc 3600 Colour Television Repair Manual provides numerous advantages over physical copies of books and documents. Firstly, it is incredibly convenient. Gone are the days of carrying around heavy textbooks or bulky folders filled with papers. With the click of a button, you can gain immediate access to valuable resources on any device. This convenience allows for efficient studying, researching, and reading on the go. Moreover, the cost-effective nature of downloading Grundig Cuc 3600 Colour Television Repair Manual has democratized knowledge. Traditional books and academic journals can be expensive, making it difficult for individuals with limited financial resources to access information. By offering free PDF downloads, publishers and authors are enabling a wider audience to benefit from their work. This inclusivity promotes equal opportunities for learning and personal growth. There are numerous websites and platforms where individuals can download Grundig Cuc 3600 Colour Television Repair Manual. These websites range from academic databases offering research papers and journals to online libraries with an expansive collection of books from various genres. Many authors and publishers also upload their work to specific websites, granting readers access to their content without any charge. These platforms not only provide access to existing literature but also serve as an excellent platform for undiscovered authors to share their work with the world. However, it is essential to be cautious while downloading Grundig Cuc 3600 Colour Television Repair Manual. Some websites may offer pirated or illegally obtained copies of copyrighted material. Engaging in such activities not only violates copyright laws but also undermines the efforts of authors, publishers, and researchers. To ensure ethical downloading, it is advisable to utilize reputable websites that prioritize the legal distribution of content. When downloading

Grundig Cuc 3600 Colour Television Repair Manual, users should also consider the potential security risks associated with online platforms. Malicious actors may exploit vulnerabilities in unprotected websites to distribute malware or steal personal information. To protect themselves, individuals should ensure their devices have reliable antivirus software installed and validate the legitimacy of the websites they are downloading from. In conclusion, the ability to download Grundig Cuc 3600 Colour Television Repair Manual has transformed the way we access information. With the convenience, cost-effectiveness, and accessibility it offers, free PDF downloads have become a popular choice for students, researchers, and book lovers worldwide. However, it is crucial to engage in ethical downloading practices and prioritize personal security when utilizing online platforms. By doing so, individuals can make the most of the vast array of free PDF resources available and embark on a journey of continuous learning and intellectual growth.

FAQs About Grundig Cuc 3600 Colour Television Repair Manual Books

1. Where can I buy Grundig Cuc 3600 Colour Television Repair Manual books? Bookstores: Physical bookstores like Barnes & Noble, Waterstones, and independent local stores. Online Retailers: Amazon, Book Depository, and various online bookstores offer a wide range of books in physical and digital formats.
2. What are the different book formats available? Hardcover: Sturdy and durable, usually more expensive. Paperback: Cheaper, lighter, and more portable than hardcovers. E-books: Digital books available for e-readers like Kindle or software like Apple Books, Kindle, and Google Play Books.
3. How do I choose a Grundig Cuc 3600 Colour Television Repair Manual book to read? Genres: Consider the genre you enjoy (fiction, non-fiction, mystery, sci-fi, etc.). Recommendations: Ask friends, join book clubs, or explore online reviews and recommendations. Author: If you like a particular author, you might enjoy more of their work.
4. How do I take care of Grundig Cuc 3600 Colour Television Repair Manual books? Storage: Keep them away from direct sunlight and in a dry environment. Handling: Avoid folding pages, use bookmarks, and handle them with clean hands. Cleaning: Gently dust the covers and pages occasionally.
5. Can I borrow books without buying them? Public Libraries: Local libraries offer a wide range of books for borrowing. Book Swaps: Community book exchanges or online platforms where people exchange books.
6. How can I track my reading progress or manage my book collection? Book Tracking Apps: Goodreads, LibraryThing, and Book Catalogue are popular apps for tracking your reading progress and managing book collections. Spreadsheets: You can create your own spreadsheet to track books read, ratings, and other details.

7. What are Grundig Cuc 3600 Colour Television Repair Manual audiobooks, and where can I find them? Audiobooks: Audio recordings of books, perfect for listening while commuting or multitasking. Platforms: Audible, LibriVox, and Google Play Books offer a wide selection of audiobooks.
8. How do I support authors or the book industry? Buy Books: Purchase books from authors or independent bookstores. Reviews: Leave reviews on platforms like Goodreads or Amazon. Promotion: Share your favorite books on social media or recommend them to friends.
9. Are there book clubs or reading communities I can join? Local Clubs: Check for local book clubs in libraries or community centers. Online Communities: Platforms like Goodreads have virtual book clubs and discussion groups.
10. Can I read Grundig Cuc 3600 Colour Television Repair Manual books for free? Public Domain Books: Many classic books are available for free as they're in the public domain. Free E-books: Some websites offer free e-books legally, like Project Gutenberg or Open Library.

Find Grundig Cuc 3600 Colour Television Repair Manual :

harmony one remote manual

[harvard business review guide to project management](#)

[hasta luego pablo mayor catarata](#)

[harley davidson touring 2009 service repair workshop manual](#)

harley davidson touring 2004 repair service manual

harry potter and the goblet of fire book

[harley davidson sportster 1959 1969 workshop service manual](#)

[harley v rod speedometer manual](#)

[harry potter sermons biblical truths illustrated by the harry potter stories](#)

[harley davidson parts interchange manual](#)

harley davidson sportster 1964 repair service manual

~~hate speech pornography and radical attacks on free speech doctrine~~

harley davidson service manuals ironhead

harman kardon avr 70 manual

harley davidson solo 45 wla engine service repair manual 29 52

Grundig Cuc 3600 Colour Television Repair Manual :

Thermistors ISA Method - GCSE Physics GCSE Additional ... This is a method for the Thermistors ISA in the AQA GCSE Additional Science and GCSE Physics courses. Hypothesis. The higher the temperature the lower the ... Thermistor Isa Method Aqa Pdf Thermistor Isa Method Aqa Pdf. INTRODUCTION Thermistor Isa Method Aqa Pdf Full PDF. The effect of temperature on a thermistor | IOPSpark This experiment, for advanced level students, shows that the current through a thermistor increases with temperature, as more charge carriers become available. Physics ISA Thermistor generalised Paper 1 guide Lab Technique and Measurements. 10. Measure the temperature of the hot tap water in Celsius to one degree of uncertainty. Record the measurement in Data Table 2. A-level Physics Teacher notes Unit 06T (h) method of adjusting the current through the thermistor to remain within the range of the ammeter: either dial on labpack or potential divider. (i). An investigation of the stability of thermistors by SD Wood · 1978 · Cited by 70 — The resistances of the 100 fl standard resistors were checked frequently by measuring them against the 1 kfl standard resistor. Just before the experiment ended ... thermistor - NI Community - National Instruments Dec 22, 2008 — A thermistor is a resistor. It has no reference voltage. The resistance of the thermistor changes with temperature. Thus, if you measure the ... The effects of thermistor linearization techniques on the T ... by SB Stanković · 2012 · Cited by 26 — Current characterization methods including the well-known T-history method depend on accurate temperature measurements. This paper investigates the impact of ... PocketScan® Plus - User Manual - Actron This User's Manual describes the features of the Tool and provides step-by-step instructions for operating the Tool. Always refer to and follow safety messages ... PocketScan Plus ABS OBD-II and CAN - Actron CP9550. Prop 65 Cancer Causing Chemicals: Lead. Prop 65 Birth Defect Causing ... PDF icon Actron CP9660 User Manual. Software Updates: none. Images: Image icon ... Actron PocketScan Plus CP9550 User Manual | 12 pages Read online or download PDF Actron PocketScan Plus CP9550 User Manual. Actron PocketScan Plus CP9550 User Manual - Download Actron PocketScan Plus CP9550 User guide. Download PDF for free and without registration! Actron CP9550 User Manual Actron CP9550 User Manual ... This User's Manual describes the features of the Tool and provides step-by-step instructions for operating the Tool. Always refer to ... PocketScan Plus - CP9550 - YouTube Actron PocketScan® Plus CP9550 OBD II & CAN Code ... The Actron PocketScan® Plus OBD II & CAN Code Reader is the most advanced, powerful and compact code reader available! Diagnostic trouble codes and ... Tool Review. Actron CP9550 Code Reader - YouTube Actron user manuals download Download Actron user manuals, owners guides and PDF instructions. Customer reviews: Actron CP9550 PocketScan Plus This Actron CP9550 OBD II code reader delivers on everything it promises to do in the description here on Amazon. Dogs: A New Understanding of Canine Origin, Behavior ... Tracing the evolution of today's breeds from these village dogs, the Coppingers show how characteristic shapes and behaviors—from pointing and baying to the ... Dogs: A New Understanding of Canine Origin, Behavior ... Tracing the evolution of today's breeds from these village dogs, the Coppingers show how

characteristic shapes and behaviors—from pointing and baying to the ... Dogs A New Understanding Of Canine Origin, Behavior ... Drawing on insight gleaned from 35 years of raising, training, and researching the behaviors of dogs worldwide, the authors explore in detail how dog breeds ... Dogs: A Startling New Understanding of Canine Origin ... Drawing on insight gleaned from forty-five years of raising, training, and studying the behaviors of dogs worldwide, Lorna and Raymond Coppinger explore the ... Dogs: A New Understanding of Canine Origin, Behavior ... Tracing the evolution of today's breeds from these village dogs, the Coppingers show how characteristic shapes and behaviors—from pointing and baying to the ... Dogs-A Startling New Understanding of Canine Origin ... Nov 29, 2023 — Tracing the evolution of today's breeds from these village dogs, the Coppingers show how characteristic shapes and behaviors—“from pointing and ... Dogs: A New Understanding of Canine Origin, Behavior ... Tracing the evolution of today's breeds from these village dogs, the Coppingers show how characteristic shapes and behaviors—from pointing and baying to the ... DOGS: A Startling New Understanding of Canine Origins ... Raymond Coppinger, DOGS: A Startling New Understanding of Canine Origins, Beha. , \$26 (352pp) ISBN 978-0-684-85530-1 · Featured Nonfiction Reviews. A New Understanding of Canine Origin, Behavior, and Evolution They argue that dogs did not evolve directly from wolves, nor were they trained by early humans; instead they domesticated themselves to exploit a new ... Dogs: A New Understanding of Canine Origin, Behavior ... Oct 1, 2002 — They argue that dogs did not evolve directly from wolves, nor were they trained by early humans; instead they domesticated themselves to exploit ...