

**NOTE:**  
Please read all instructions  
carefully before using this  
product

Table of Contents

Safety Notice

Hardware Identifier

Assembly Instruction

Parts List

Warranty

Ordering Parts

**Model**  
**IGS-412**

**Retain This**  
**Manual for**  
**Reference**

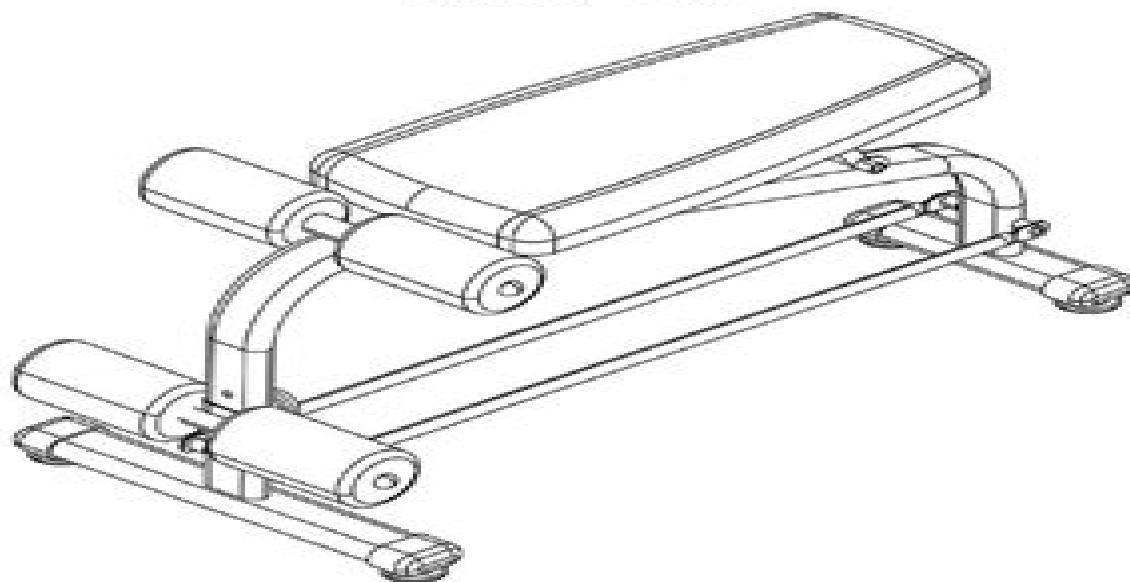
**06-12-08**

**OWNER'S**  
**MANUAL**

# **IMPEX**

## **IRON GRIP STRENGTH DELUXE CRUNCH BOARD**

**IGS-412**



**IMPEX INC.**

14777 DON JULIAN RD., CITY OF INDUSTRY, CA 91746

Tel: (800) 999-8899 Fax: (626) 961-9966

[www.impex-fitness.com](http://www.impex-fitness.com)

[info@impex-fitness.com](mailto:info@impex-fitness.com)

# Iron Grip Strength Igs Manual

**Joacim Rocklöv**



## **Iron Grip Strength Igs Manual:**

## The Enigmatic Realm of **Iron Grip Strength Igs Manual**: Unleashing the Language is Inner Magic

In a fast-paced digital era where connections and knowledge intertwine, the enigmatic realm of language reveals its inherent magic. Its capacity to stir emotions, ignite contemplation, and catalyze profound transformations is nothing short of extraordinary. Within the captivating pages of **Iron Grip Strength Igs Manual** a literary masterpiece penned by a renowned author, readers embark on a transformative journey, unlocking the secrets and untapped potential embedded within each word. In this evaluation, we shall explore the book's core themes, assess its distinct writing style, and delve into its lasting impact on the hearts and minds of those that partake in its reading experience.

[http://www.armchairempire.com/public/publication/Download\\_PDFS/koolant%20kooler%20chiller%20kv%207500%20manual.pdf](http://www.armchairempire.com/public/publication/Download_PDFS/koolant%20kooler%20chiller%20kv%207500%20manual.pdf)

### **Table of Contents Iron Grip Strength Igs Manual**

1. Understanding the eBook Iron Grip Strength Igs Manual
  - The Rise of Digital Reading Iron Grip Strength Igs Manual
  - Advantages of eBooks Over Traditional Books
2. Identifying Iron Grip Strength Igs Manual
  - Exploring Different Genres
  - Considering Fiction vs. Non-Fiction
  - Determining Your Reading Goals
3. Choosing the Right eBook Platform
  - Popular eBook Platforms
  - Features to Look for in an Iron Grip Strength Igs Manual
  - User-Friendly Interface
4. Exploring eBook Recommendations from Iron Grip Strength Igs Manual
  - Personalized Recommendations
  - Iron Grip Strength Igs Manual User Reviews and Ratings

- Iron Grip Strength Igs Manual and Bestseller Lists
- 5. Accessing Iron Grip Strength Igs Manual Free and Paid eBooks
  - Iron Grip Strength Igs Manual Public Domain eBooks
  - Iron Grip Strength Igs Manual eBook Subscription Services
  - Iron Grip Strength Igs Manual Budget-Friendly Options
- 6. Navigating Iron Grip Strength Igs Manual eBook Formats
  - ePub, PDF, MOBI, and More
  - Iron Grip Strength Igs Manual Compatibility with Devices
  - Iron Grip Strength Igs Manual Enhanced eBook Features
- 7. Enhancing Your Reading Experience
  - Adjustable Fonts and Text Sizes of Iron Grip Strength Igs Manual
  - Highlighting and Note-Taking Iron Grip Strength Igs Manual
  - Interactive Elements Iron Grip Strength Igs Manual
- 8. Staying Engaged with Iron Grip Strength Igs Manual
  - Joining Online Reading Communities
  - Participating in Virtual Book Clubs
  - Following Authors and Publishers Iron Grip Strength Igs Manual
- 9. Balancing eBooks and Physical Books Iron Grip Strength Igs Manual
  - Benefits of a Digital Library
  - Creating a Diverse Reading Collection Iron Grip Strength Igs Manual
- 10. Overcoming Reading Challenges
  - Dealing with Digital Eye Strain
  - Minimizing Distractions
  - Managing Screen Time
- 11. Cultivating a Reading Routine Iron Grip Strength Igs Manual
  - Setting Reading Goals Iron Grip Strength Igs Manual
  - Carving Out Dedicated Reading Time
- 12. Sourcing Reliable Information of Iron Grip Strength Igs Manual
  - Fact-Checking eBook Content of Iron Grip Strength Igs Manual
  - Distinguishing Credible Sources

13. Promoting Lifelong Learning
  - Utilizing eBooks for Skill Development
  - Exploring Educational eBooks
14. Embracing eBook Trends
  - Integration of Multimedia Elements
  - Interactive and Gamified eBooks

### **Iron Grip Strength Igs Manual Introduction**

In the digital age, access to information has become easier than ever before. The ability to download Iron Grip Strength Igs Manual has revolutionized the way we consume written content. Whether you are a student looking for course material, an avid reader searching for your next favorite book, or a professional seeking research papers, the option to download Iron Grip Strength Igs Manual has opened up a world of possibilities. Downloading Iron Grip Strength Igs Manual provides numerous advantages over physical copies of books and documents. Firstly, it is incredibly convenient. Gone are the days of carrying around heavy textbooks or bulky folders filled with papers. With the click of a button, you can gain immediate access to valuable resources on any device. This convenience allows for efficient studying, researching, and reading on the go. Moreover, the cost-effective nature of downloading Iron Grip Strength Igs Manual has democratized knowledge. Traditional books and academic journals can be expensive, making it difficult for individuals with limited financial resources to access information. By offering free PDF downloads, publishers and authors are enabling a wider audience to benefit from their work. This inclusivity promotes equal opportunities for learning and personal growth. There are numerous websites and platforms where individuals can download Iron Grip Strength Igs Manual. These websites range from academic databases offering research papers and journals to online libraries with an expansive collection of books from various genres. Many authors and publishers also upload their work to specific websites, granting readers access to their content without any charge. These platforms not only provide access to existing literature but also serve as an excellent platform for undiscovered authors to share their work with the world. However, it is essential to be cautious while downloading Iron Grip Strength Igs Manual. Some websites may offer pirated or illegally obtained copies of copyrighted material. Engaging in such activities not only violates copyright laws but also undermines the efforts of authors, publishers, and researchers. To ensure ethical downloading, it is advisable to utilize reputable websites that prioritize the legal distribution of content. When downloading Iron Grip Strength Igs Manual, users should also consider the potential security risks associated with online platforms. Malicious actors may exploit vulnerabilities in unprotected websites to distribute malware or steal personal information. To protect themselves, individuals should ensure their devices have reliable antivirus software installed and

validate the legitimacy of the websites they are downloading from. In conclusion, the ability to download Iron Grip Strength Igs Manual has transformed the way we access information. With the convenience, cost-effectiveness, and accessibility it offers, free PDF downloads have become a popular choice for students, researchers, and book lovers worldwide. However, it is crucial to engage in ethical downloading practices and prioritize personal security when utilizing online platforms. By doing so, individuals can make the most of the vast array of free PDF resources available and embark on a journey of continuous learning and intellectual growth.

### **FAQs About Iron Grip Strength Igs Manual Books**

How do I know which eBook platform is the best for me? Finding the best eBook platform depends on your reading preferences and device compatibility. Research different platforms, read user reviews, and explore their features before making a choice. Are free eBooks of good quality? Yes, many reputable platforms offer high-quality free eBooks, including classics and public domain works. However, make sure to verify the source to ensure the eBook credibility. Can I read eBooks without an eReader? Absolutely! Most eBook platforms offer webbased readers or mobile apps that allow you to read eBooks on your computer, tablet, or smartphone. How do I avoid digital eye strain while reading eBooks? To prevent digital eye strain, take regular breaks, adjust the font size and background color, and ensure proper lighting while reading eBooks. What the advantage of interactive eBooks? Interactive eBooks incorporate multimedia elements, quizzes, and activities, enhancing the reader engagement and providing a more immersive learning experience. Iron Grip Strength Igs Manual is one of the best book in our library for free trial. We provide copy of Iron Grip Strength Igs Manual in digital format, so the resources that you find are reliable. There are also many Ebooks of related with Iron Grip Strength Igs Manual. Where to download Iron Grip Strength Igs Manual online for free? Are you looking for Iron Grip Strength Igs Manual PDF? This is definitely going to save you time and cash in something you should think about. If you trying to find then search around for online. Without a doubt there are numerous these available and many of them have the freedom. However without doubt you receive whatever you purchase. An alternate way to get ideas is always to check another Iron Grip Strength Igs Manual. This method for see exactly what may be included and adopt these ideas to your book. This site will almost certainly help you save time and effort, money and stress. If you are looking for free books then you really should consider finding to assist you try this. Several of Iron Grip Strength Igs Manual are for sale to free while some are payable. If you arent sure if the books you would like to download works with for usage along with your computer, it is possible to download free trials. The free guides make it easy for someone to free access online library for download books to your device. You can get free download on free trial for lots of books categories. Our library is the biggest of these that have literally hundreds of thousands of different

products categories represented. You will also see that there are specific sites catered to different product types or categories, brands or niches related with Iron Grip Strength Igs Manual. So depending on what exactly you are searching, you will be able to choose e books to suit your own need. Need to access completely for Campbell Biology Seventh Edition book? Access Ebook without any digging. And by having access to our ebook online or by storing it on your computer, you have convenient answers with Iron Grip Strength Igs Manual To get started finding Iron Grip Strength Igs Manual, you are right to find our website which has a comprehensive collection of books online. Our library is the biggest of these that have literally hundreds of thousands of different products represented. You will also see that there are specific sites catered to different categories or niches related with Iron Grip Strength Igs Manual So depending on what exactly you are searching, you will be able to choose ebook to suit your own need. Thank you for reading Iron Grip Strength Igs Manual. Maybe you have knowledge that, people have search numerous times for their favorite readings like this Iron Grip Strength Igs Manual, but end up in harmful downloads. Rather than reading a good book with a cup of coffee in the afternoon, instead they juggled with some harmful bugs inside their laptop. Iron Grip Strength Igs Manual is available in our book collection an online access to it is set as public so you can download it instantly. Our digital library spans in multiple locations, allowing you to get the most less latency time to download any of our books like this one. Merely said, Iron Grip Strength Igs Manual is universally compatible with any devices to read.

### **Find Iron Grip Strength Igs Manual :**

*koolant cooler chiller kv 7500 manual*

[kroger manuals](#)

*konica hexar af manual*

**korea now graphisme exposition d coratifs**

*konica minolta bizhub 350 user manual*

[konica parts manual](#)

**konica minolta bizhub c552 user guide**

[ktm 690 lc4 supermoto repair manual](#)

**kovalam pocket travel guide kovalam pocket travel guide**

**konica minolta bizhub 750 600 service repair manual**

**ktm 250 exc 2012 manual**

~~*ktm 85 2013 engine rebuild manuals*~~

[krontenianer rendezvous bogen erasmus herold ebook](#)



**kristin lavransdatter iii the cross penguin classics**

ktm sxf 250 2005 2008 repair service manual

## **Iron Grip Strength Igs Manual :**

**15 awesome slide guitar songs to learn in 2023 student of guitar** - Dec 31 2021

if you re looking for slide guitar songs to learn you ve come to the right post 1 tush by zz top tush every guitar note zz top slide guitar tush is an obvious pick for a list like this one in this zz top classic we hear billy gibbons blasting some simple yet very effective slide licks in the solo

*slide guitar for beginners 12bar blues guitar* - May 04 2022

slide guitar for beginners find your own style blues styles guitars amps gear home recording scale and chord generator songs albums songs albums have you ever loved a woman blues breakers beano layla and other assorted love songs eric clapton unplugged from the cradle sessions for robert j cream the three kings of blues

*slide guitar hub tab and tablature* - Apr 15 2023

easy slide guitar songs to learn with guitar tab learn to play easy and fun guitar slide songs from some of the best guitar slide players guitar tab is included for each slide guitar song and tips to help you get the best from your guitar slide

9 beginner slide guitar songs to learn now - Jul 06 2022

apr 1 2022 1 best slide guitar songs for beginners 1 1 dust my broom elmore james 1 2 i ain t superstitious jeff beck 1 3 shine on you crazy diamond pink floyd 1 4 the joker steve miller band 1 5 statesboro blues the allman brothers band 1 6 give me love george harrison 1 7 sahib teri bahi derek trucks

*35 famous easy slide guitar songs tabs included* - Jun 17 2023

although just got paid is almost a heavy metal song it has slightly easy slide guitar parts that you can play easily here are the tabs for it don t miss this special song guitar ii on the tab plays slide guitar just got paid guitar tabs elmore james dust my broom

*the 15 best slide guitar songs of all time acoustic world* - Apr 03 2022

check out the top slide guitar songs listed below if you ve been searching for the very best slide guitar music or if you play the guitar and want to hear music that will help you hone your skills and improve your technique

**the beginner s guide to slide guitar** - Mar 02 2022

the beginner s guide to slide guitar it s one of the most evocative expressive and downright cool guitar styles around uk slide maestro chris eaton is here to give you the basics you need to get started image laura mckinnon shutterstock com by guitar com

**easy slide guitar song in a minor tuning with tabs youtube** - Aug 07 2022

how to play halloween blues an easy dark slide guitar song in open a minor tuning with guitar tabs included open tuning guitar provides lessons on how to u

**friday top 20 best songs with slide guitar ultimate guitar tabs** - Oct 09 2022

apr 14 2023 11 the allman brothers band statesboro blues honestly duane allman is the rightful ruler of this list no matter the spot he s voted into he s the one guy who brought slide guitar back into

*50 popular easy slide guitar songs 2023 with tabs* - Sep 20 2023

jul 28 2023 here are the best slide guitar songs to learn along with guitar tabs of each song s cool slide guitar licks since most slide guitar tunes lack conventional tuning i ve included guitar tuning for every song list of slide guitar songs

**slide guitar in standard tuning nameless blues youtube** - Nov 10 2022

jul 10 2020 learn how to play this nameless blues it s a nice song to practice slide guitar in standard tuning alternating between chords and solo licks tabs in pdf format available patreon

*how to use a guitar slide lesson with tab guitar gear finder* - Dec 11 2022

dec 10 2019 the slide on the right will be in tune on the low e string but the other strings will be out of tune with the high e string horribly sharp the key point to remember is to keep the guitar slide parallel to the frets line your guitar slide up to the fret and you will find it much easier to keep the notes in tune

ultimate guitar tabs 1 100 000 songs catalog with free chords guitar - Oct 29 2021

your 1 source for chords guitar tabs bass tabs ukulele chords guitar pro and power tabs comprehensive tabs archive with over 1 100 000 tabs tabs search engine guitar lessons gear reviews

13 best beginner slide guitar songs to master effortlessly - Jan 12 2023

ever since that time i ve been obsessed with the slide guitar sound in today s article i m going to show you 13 of the best beginner slide guitar songs to learn 1 dave edmunds i hear you knocking 2 willie dixon back door man 3 muddy waters standing around crying

**25 best slide guitar songs with tabs videos 2023** - Jul 18 2023

aug 22 2023 the best part about slide guitar songs is that they re both fun to learn and exciting to play we ve put together a list of terrific slide guitar songs across genres and musicians for you to enjoy whether you re a beginner or an expert there will surely be a track that fits your skills and interests

*easy slide guitar songs musicprofy* - Sep 08 2022

sep 14 2023 master slide guitar techniques with easy slide guitar songs slide your way through these captivating tunes and enhance your skills

[75 easy guitar songs for beginners 2023 with tabs videos](#) - Nov 29 2021

aug 21 2023 once you get the feel of the slide you should be able to rock the song that s what we call easy peasy 35 shake it off by taylor swift genre pop tuning e a d g b e it has three major open chords g d and c that follows the same pattern of g d c d throughout the song strumming these guitar chords won t be a problem

[15 easy slide guitar songs killer guitar rigs](#) - Mar 14 2023

mar 22 2022 whatever your reason for picking up a slide finding some good songs to play to introduce you to the style is very important that s why today we ve gathered up 15 of our favorite and most importantly easy slide songs that you can learn on guitar regardless of skill level

[easy slide guitar songs to learn with guitar tab](#) - Aug 19 2023

dec 9 2019 the guide includes a list of common open tunings and other tunings that work well with slide guitar playing learn to play easy and fun guitar slide songs from some of the best guitar slide players guitar tab is included for each slide guitar song and tips to help you get the best from your guitar slide

**25 best slide guitar songs gearaficionado** - Feb 01 2022

from guitars pedals amps and synths to studio gear and production tips i hope you find what i post here useful and i ll try my best to keep it entertaining also discover the best slide guitar songs from classics to new entries on the list tabs and chords included if

[slide guitar songs tab collections ultimate guitar com](#) - May 16 2023

slide guitar songs 13 tabs pay attention to the tuning in each song 418 eric clapton rollin and tumblin acoustic 4 guitar pro led zeppelin in my time of dying 48 guitar pro the

[my fair lady solo tab by kaleo ultimate guitar com](#) - Sep 27 2021

it s the very end of the song electro guitar part you should use slide if you have one it s the very end of the song electro guitar part you should use slide if you have one create your account and get pro access 80 off 0 report bad tab related tabs kaleo vor Í vaglaskógi 119 kaleo i want more 34 kaleo automobile

**slide guitar guitar lessons ultimate guitar com** - Jun 05 2022

sep 5 2006 here are some of my favourite slide albums and songs which have great slide playing but are on an album which doesn t have much other slide playing as well as others which i may not have heard

[10 of the best slide guitar songs guitar world](#) - Feb 13 2023

jul 27 2020 10 of the best slide guitar songs by damian fanelli published 27 july 2020 from derek trucks to elmore james these slide tracks are essential listening not content with the status quo industrious young guitar players have endeavored over the decades to make things more difficult for themselves

**tactics for field hockey stories preschool** - Apr 22 2022

**field hockey techniques tactics by claire mitchell** - Mar 02 2023

web shooting techniques and tactical skills item number fhd 04279 currently 5 5 stars 5 5 stars 0 reviews improve shooting accuracy get more shots on goal and score more goals discover goal scoring shots your players can use in a variety of situations master the always hard to defend reverse shot and learn to use it to your advantage

*tactics formations hockey training* - Feb 18 2022

*top 10 field hockey skills to master hockey performance* - Sep 08 2023

web oct 13 2023 1 hold the field hockey stick with your right hand at the bottom of the grip turn the stick so that the flat end faces away from you place your left hand over the top end of the stick pointing your thumb down towards the curled end at the bottom

*top up your field hockey tactics hockey* - Jun 05 2023

web hockey field hockey techniques hockey youth hockey hockey drills session plan lesson plans and practices

**field hockey techniques and tactics amazon co uk** - Sep 27 2022

web mar 14 2023 field hockey is a fast paced and exciting sport that involves two teams of eleven players each the aim of the game is to score goals by hitting the ball into the opponent s net using a stick a game is typically divided into two halves each lasting 35 minutes with a 5 to 10 minute break in between

how to play field hockey with pictures wikihow - Jul 06 2023

web in field hockey techniques tactics olympic gold medalist claire mitchell taverner presents the skills and offensive and defensive systems that helped the hockeyroos dominate the world stage for nearly a decade and revolutionize the game of field hockey elevate your trapping receiving passing dribbling and shooting by learning the

**field hockey techniques tactics google books** - Oct 09 2023

web in field hockey techniques tactics olympic gold medalist claire mitchell taverner presents the skills and offensive and defensive systems that helped the hockeyroos dominate the world

5 important skills for field hockey beginners - Nov 29 2022

web august 20 2021 field hockey tactics skill boost field hockey may seem like a straightforward game but behind the scenes there is a lot of strategy that goes into gameplay the more you understand the game the easier it is to anticipate what the other team is planning on doing

*the top field hockey drills skills tips videos* - Apr 03 2023

web oct 12 2004 paperback 6 03 5 used from 3 25 1 new from 43 17 the australian women s field hockey team the hockeyroos revolutionised competitive field hockey this book teaches the skills and tactics the hockeyroos employed mitchell taverner is a former member of the hockeyroos and shares her invaluable insights recounting the set plays

[field hockey techniques and tactics semantic scholar](#) - Oct 29 2022

web the basic tactic in field hockey as in association football and many other team games is to outnumber the opponent in a particular area of the field at a moment in time when in possession of the ball this temporary numerical superiority can be used to pass the ball around opponents so that they cannot effect a tackle because they cannot get within

*field hockey techniques and tactics by claire mitchell taverner* - Feb 01 2023

web field hockey tactical youth field hockey tactical field hockey drills session plan lesson plans and practices home this is a level 2 practical assessment and is with juniors u14s one coach has suggested a 3 part approach 1 techniques and skills required 2 unopposed 3 opposed the theme i m choosing which is a bit of a generic

*hockey essential skills and techniques holding the hockey stick* - Dec 19 2021

**field hockey techniques rules skills study com** - Aug 07 2023

web field hockey bc email robin d abreo 5 16 2007 page 1 of 3 214 1367 west broadway tel 604 730 7220 vancouver b c v6h 4a9 fax 604 737 6043 robin fieldhockeybc com roles in attack and defense there are three roles in attack and three roles in defense and it is essential that every field player be able to fulfill them all

**shooting techniques and tactical skills field hockey** - Aug 27 2022

web latest updates developing height width around the d objective using the baseline player as a bounce pass find out more getting out of the corner objective moving from a corner up the pitch find out more 4 box scoring objective

**field hockey tactics vukgripz** - May 24 2022

web field hockey techniques share all techniques categories running fast with th stick and ball running with the stick stick and ball moving with the ball stick and ball stick and ball indian dribble stick and ball the push passing the slap pass passing long handled slap passing receiving on the for receiving receiving the ball f receiving

**field hockey bc general tactical instruction** - May 04 2023

web the field hockey techniques and tactics is universally compatible with any devices to read and is available in the book collection an online access to it is set as public so you can get it instantly thank you for downloading field hockey techniques and tactics maybe you have knowledge that people have search hundreds times for their favorite books like this

[field hockey from the performance analyst s perspective a](#) - Jun 24 2022

web gcse aqa hockey essential skills and techniques holding the hockey stick these essential skills and step by step resources

will explain the techniques required to successfully perform a range

**tactical field hockey drills videos and coaching plans sportplan** - Jul 26 2022

web tactics claire mitchell taverner in field hockey techniques tactics olympic gold medalist claire mitchell taverner presents the skills and offensive and defensive systems that helped the hockeyroos dominate the world stage for nearly a decade and revolutionize the game of field hockey elevate your trapping receiving

*field hockey techniques sportplan* - Dec 31 2022

web apr 13 2021 field hockey is an evolving sport but it is unclear whether performance analysis techniques are reflective of current best practice the aim of this review was to identify performance analysis techniques used to analyse hockey tactics and strategy evaluate the practicality of these methods and provide recommendations on practical

**what is a bully in field hockey learn the basics here** - Mar 22 2022

**field hockey techniques and tactics** - Jan 20 2022

field hockey techniques sportplan - Nov 17 2021

assessment made incredibly easy wolters kluwer - Sep 06 2023

web feb 1 2012 assessment made incredibly easy 5e presents nursing assessment skills in the reader friendly incredibly easy format that makes learning fun with an appealing

**assessment made incredibly easy lww** - Oct 07 2023

web feb 1 2012 fifth edition incredibly easy series by lippincott williams wilkins imprint lww sales date 2012 02 01 416 pages 177 00 x 228 00 mm 400 illustrations

*assessment made incredibly easy uk edition paperback* - Dec 17 2021

web assessment made incredibly easy incredibly easy series by lippincott williams wilkins 5th fifth edition paperback 2012 paperback 1 jan 1600 4 6 184 ratings

**assessment made incredibly easy incredibly easy series r** - Jun 22 2022

web feb 1 2012 assessment made incredibly easy 5e presents nursing assessment skills in the reader friendly incredibly easy format that makes learning fun with an appealing

*pdf assessment made incredibly easy semantic scholar* - Jan 18 2022

web jun 1 2009 taking a system by system approach assessment made incredibly easy has numerous reader friendly features that include abundant illustrations cartoons

**assessment made incredibly easy edition 5 paperback** - May 22 2022

web assessment made incredibly easy lippincott williams wilkins wolters kluwer health lippincott williams wilkins 2013 nursing 405 pages 0 reviews reviews

**assessment made incredibly easy fifth edition the point** - Dec 29 2022

web taking a system by system approach assessment made incredibly easy has numerous reader friendly features include abundant illustrations cartoons checklists quick

assessment made incredibly easy google books - Feb 28 2023

web jan 1 2008 assessment made incredibly easy incredibly easy series r 40 37 184 only 2 left in stock completely updated and now in full color this fourth edition

**assessment made incredibly easy uk by helen** - Jun 03 2023

web jan 15 2008 completely updated and now in full color this fourth edition presents assessment skills in the reader friendly incredibly easy format that makes learning

assessment made incredibly easy incredibly easy series - Sep 25 2022

web assessment made incredibly easy 5th edition is written by lippincott williams wilkins and published by lippincott williams wilkins the digital and etextbook isbn's for

*assessment made incredibly easy free download borrow and* - Feb 16 2022

web abundant full color illustrations charts memory joggers and other special features help nurses master assessment techniques and remember key information in the practice

**assessment made incredibly easy incredibly easy** - Jan 30 2023

web truly one of a kind this newly updated edition of assessment made incredibly easy provides the information and tools a nurse needs to obtain a complete patient

*assessment made incredibly easy google books* - Jul 24 2022

web assessment made incredibly easy incredibly easy series r by author lippincott williams wilkins publishers lippincott williams and wilkins print format paperback

*assessment made incredibly easy 5th edition vitalsource* - Aug 25 2022

web assessment made incredibly easy lippincott williams wilkins 2002 medical 338 pages this fully revised reference uses humor to help nurses master assessment skills

**assessment made incredibly easy incredibly easy series** - May 02 2023

web using light hearted humor the text provides the know how nurses need to interview patients obtain complete health histories perform physical examinations and interpret

**assessment made incredibly easy uk edition wolters kluwer** - Nov 27 2022

web jun 1 2009 helen rushforth 4 64 11 ratings0 reviews the skills covered in this book are fundamental to the delivery of excellent health care and can help you to make a real

*assessment made incredibly easy google books* - Apr 20 2022

web taking a system by system approach assessment made incredibly easy has numerous reader friendly features include abundant illustrations cartoons checklists quick

**assessment made incredibly easy incredibly easy** - Apr 01 2023

web jan 1 2008 assessment made incredibly easy margaret eckman lippincott williams wilkins jan 1 2008 medical 407 pages completely updated and now in full color

**assessment made incredibly easy uk edition goodreads** - Oct 27 2022

web assessment made incredibly easy presents nursing assessment skills in an easy to understand and practical style the text provides the know how nurses need to interview

**assessment made incredibly easy uk edition incredibly easy** - Mar 20 2022

web assessment made incredibly easy 5e presents nursing assessment skills in the reader friendly incredibly easy format that makes learning fun with an appealing 4 color

*assessment made incredibly easy incredibly easy series* - Aug 05 2023

web presents nursing assessment skills in the reader friendly incredibly easy format that makes learning fun with an appealing 4 color interior and light hearted humor

ovid assessment made incredibly easy wolters kluwer - Jul 04 2023

web taking a system by system approach assessment made incredibly easy has numerous reader friendly features include abundant illustrations cartoons checklists quick

*assessment made incredibly easy incredibly easy series by* - Nov 15 2021