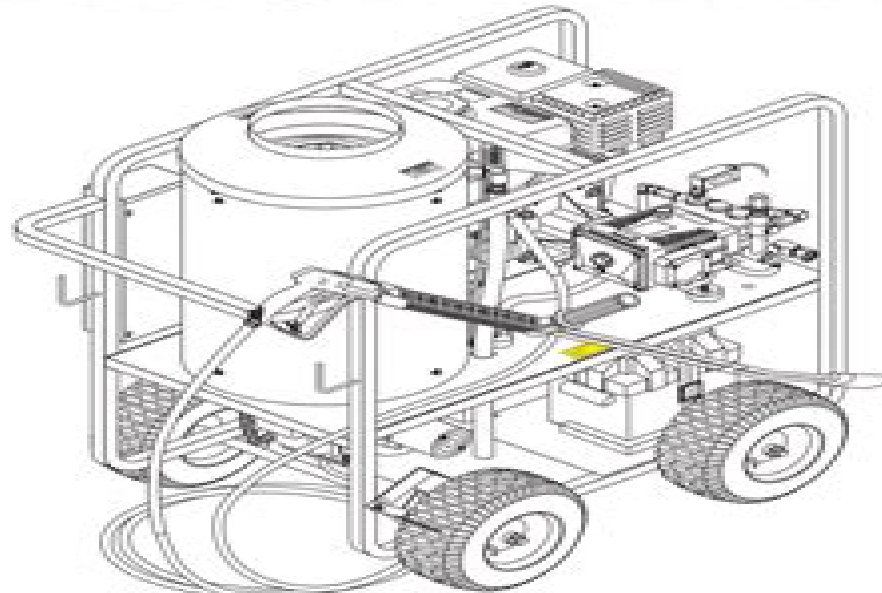




OPERATOR'S MANUAL



	MODEL #	ORDER #
HDS 2.5/20 P	Cage / SGP-302017	1.575-554.0
HDS 2.8/25 P	Cage / SGP-302517	1.575-555.0
HDS 2.6/30 P	Cage / SGP-303037	1.575-550.0
HDS 3.5/30 P	Cage / SGP-353037	1.575-551.0
HDS 3.5/30 PE	Cage / SGP-353037E	1.575-552.0
HDS 3.5/35 PE	Cage / SGP-403537E	1.575-553.0

To locate your local Kärcher Shark Commercial Pressure Washer Dealer nearest you, visit www.karchercommercial.com or www.karchershark.com

Hds 601 C Eco Parts Manual

Christian G. Meyer



Hds 601 C Eco Parts Manual:

Packaging ,1986 *Chilton's Labor Guide and Parts Manual* ,1974

Thank you for downloading **Hds 601 C Eco Parts Manual**. As you may know, people have look hundreds times for their chosen readings like this Hds 601 C Eco Parts Manual, but end up in malicious downloads. Rather than reading a good book with a cup of tea in the afternoon, instead they cope with some infectious bugs inside their laptop.

Hds 601 C Eco Parts Manual is available in our book collection an online access to it is set as public so you can get it instantly.

Our book servers hosts in multiple locations, allowing you to get the most less latency time to download any of our books like this one.

Merely said, the Hds 601 C Eco Parts Manual is universally compatible with any devices to read

<http://www.armchairempire.com/public/uploaded-files/fetch.php/housebroken%20confessions%20of%20a%20stay%20at%20home%20dad.pdf>

Table of Contents Hds 601 C Eco Parts Manual

1. Understanding the eBook Hds 601 C Eco Parts Manual
 - The Rise of Digital Reading Hds 601 C Eco Parts Manual
 - Advantages of eBooks Over Traditional Books
2. Identifying Hds 601 C Eco Parts Manual
 - Exploring Different Genres
 - Considering Fiction vs. Non-Fiction
 - Determining Your Reading Goals
3. Choosing the Right eBook Platform
 - Popular eBook Platforms
 - Features to Look for in an Hds 601 C Eco Parts Manual
 - User-Friendly Interface
4. Exploring eBook Recommendations from Hds 601 C Eco Parts Manual

- Personalized Recommendations
 - Hds 601 C Eco Parts Manual User Reviews and Ratings
 - Hds 601 C Eco Parts Manual and Bestseller Lists
5. Accessing Hds 601 C Eco Parts Manual Free and Paid eBooks
 - Hds 601 C Eco Parts Manual Public Domain eBooks
 - Hds 601 C Eco Parts Manual eBook Subscription Services
 - Hds 601 C Eco Parts Manual Budget-Friendly Options
 6. Navigating Hds 601 C Eco Parts Manual eBook Formats
 - ePub, PDF, MOBI, and More
 - Hds 601 C Eco Parts Manual Compatibility with Devices
 - Hds 601 C Eco Parts Manual Enhanced eBook Features
 7. Enhancing Your Reading Experience
 - Adjustable Fonts and Text Sizes of Hds 601 C Eco Parts Manual
 - Highlighting and Note-Taking Hds 601 C Eco Parts Manual
 - Interactive Elements Hds 601 C Eco Parts Manual
 8. Staying Engaged with Hds 601 C Eco Parts Manual
 - Joining Online Reading Communities
 - Participating in Virtual Book Clubs
 - Following Authors and Publishers Hds 601 C Eco Parts Manual
 9. Balancing eBooks and Physical Books Hds 601 C Eco Parts Manual
 - Benefits of a Digital Library
 - Creating a Diverse Reading Collection Hds 601 C Eco Parts Manual
 10. Overcoming Reading Challenges
 - Dealing with Digital Eye Strain
 - Minimizing Distractions
 - Managing Screen Time
 11. Cultivating a Reading Routine Hds 601 C Eco Parts Manual
 - Setting Reading Goals Hds 601 C Eco Parts Manual
 - Carving Out Dedicated Reading Time
 12. Sourcing Reliable Information of Hds 601 C Eco Parts Manual

- Fact-Checking eBook Content of Hds 601 C Eco Parts Manual
 - Distinguishing Credible Sources
13. Promoting Lifelong Learning
- Utilizing eBooks for Skill Development
 - Exploring Educational eBooks
14. Embracing eBook Trends
- Integration of Multimedia Elements
 - Interactive and Gamified eBooks

Hds 601 C Eco Parts Manual Introduction

Hds 601 C Eco Parts Manual Offers over 60,000 free eBooks, including many classics that are in the public domain. Open Library: Provides access to over 1 million free eBooks, including classic literature and contemporary works. Hds 601 C Eco Parts Manual Offers a vast collection of books, some of which are available for free as PDF downloads, particularly older books in the public domain. Hds 601 C Eco Parts Manual : This website hosts a vast collection of scientific articles, books, and textbooks. While it operates in a legal gray area due to copyright issues, its a popular resource for finding various publications. Internet Archive for Hds 601 C Eco Parts Manual : Has an extensive collection of digital content, including books, articles, videos, and more. It has a massive library of free downloadable books. Free-eBooks Hds 601 C Eco Parts Manual Offers a diverse range of free eBooks across various genres. Hds 601 C Eco Parts Manual Focuses mainly on educational books, textbooks, and business books. It offers free PDF downloads for educational purposes. Hds 601 C Eco Parts Manual Provides a large selection of free eBooks in different genres, which are available for download in various formats, including PDF. Finding specific Hds 601 C Eco Parts Manual, especially related to Hds 601 C Eco Parts Manual, might be challenging as theyre often artistic creations rather than practical blueprints. However, you can explore the following steps to search for or create your own Online Searches: Look for websites, forums, or blogs dedicated to Hds 601 C Eco Parts Manual, Sometimes enthusiasts share their designs or concepts in PDF format. Books and Magazines Some Hds 601 C Eco Parts Manual books or magazines might include. Look for these in online stores or libraries. Remember that while Hds 601 C Eco Parts Manual, sharing copyrighted material without permission is not legal. Always ensure youre either creating your own or obtaining them from legitimate sources that allow sharing and downloading. Library Check if your local library offers eBook lending services. Many libraries have digital catalogs where you can borrow Hds 601 C Eco Parts Manual eBooks for free, including popular titles. Online Retailers: Websites like Amazon, Google Books, or Apple Books often sell eBooks. Sometimes, authors or publishers offer promotions or free periods for certain books. Authors Website

Occasionally, authors provide excerpts or short stories for free on their websites. While this might not be the Hds 601 C Eco Parts Manual full book, it can give you a taste of the authors writing style. Subscription Services Platforms like Kindle Unlimited or Scribd offer subscription-based access to a wide range of Hds 601 C Eco Parts Manual eBooks, including some popular titles.

FAQs About Hds 601 C Eco Parts Manual Books

How do I know which eBook platform is the best for me? Finding the best eBook platform depends on your reading preferences and device compatibility. Research different platforms, read user reviews, and explore their features before making a choice. Are free eBooks of good quality? Yes, many reputable platforms offer high-quality free eBooks, including classics and public domain works. However, make sure to verify the source to ensure the eBook credibility. Can I read eBooks without an eReader? Absolutely! Most eBook platforms offer web-based readers or mobile apps that allow you to read eBooks on your computer, tablet, or smartphone. How do I avoid digital eye strain while reading eBooks? To prevent digital eye strain, take regular breaks, adjust the font size and background color, and ensure proper lighting while reading eBooks. What the advantage of interactive eBooks? Interactive eBooks incorporate multimedia elements, quizzes, and activities, enhancing the reader engagement and providing a more immersive learning experience. Hds 601 C Eco Parts Manual is one of the best book in our library for free trial. We provide copy of Hds 601 C Eco Parts Manual in digital format, so the resources that you find are reliable. There are also many Ebooks of related with Hds 601 C Eco Parts Manual. Where to download Hds 601 C Eco Parts Manual online for free? Are you looking for Hds 601 C Eco Parts Manual PDF? This is definitely going to save you time and cash in something you should think about.

Find Hds 601 C Eco Parts Manual :

housebroken confessions of a stay at home dad

house of games screenplay

house in the landscape siting your home naturally

[how do we use light light all around us](#)

hotwire comics vol 2 v 2

[how the world works a brief survey of international relations 3rd edition](#)

hotel management source code in java

~~houghton mifflin harcourt journeys practice book grade 5 answers~~
~~hotel orientation manual~~

how likely is extraterrestrial life springerbriefs in astronomy

~~houghton mifflin discovery works student edition unit b level 5 2000~~

~~how can i get a life couchsurfing enjoy the ride~~

~~how catch cheating lover cheater~~

~~household guide dying debra adelaide~~

~~how can i edit a file~~

Hds 601 C Eco Parts Manual :

env344 simutext 5 nutrient pollution docx course hero - Jun 12 2023

web feb 26 2019 solutions available arizona state university bio 130 5 simutext docx southern new hampshire university env 344 ronald rudolph env 344 nutrient

simutext nutrient pollution answers uniport edu ng - Feb 25 2022

web simutext nutrient pollution answers 2 9 downloaded from uniport edu ng on april 18 2023 by guest the story of life great discoveries in biology first edition sean b

quiz 1 simutext flashcards quizlet - Dec 06 2022

web quiz 1 simutext fundamental niche click the card to flip the full potential range of the physical chemical and biological factors a species can use if there is no competition

nutrient pollution flashcards quizlet - Nov 05 2022

web study with quizlet and memorize flashcards containing terms like what are nutrients problem nutrient pollution causes first main problem food chain and more fresh

simutext nutrient pollution answers uniport edu ng - Jul 01 2022

web aug 5 2023 simutext nutrient pollution answers 1 10 downloaded from uniport edu ng on august 5 2023 by guest simutext nutrient pollution answers when people should

nutrient pollution wb simbio - Oct 24 2021

web in this lab students explore eutrophication and bioaccumulation of toxins by experimenting with inputs to a lake containing phytoplankton zooplankton and fish they report their

simutext nutrient pollution answers home rightster com - Dec 26 2021

web simutext nutrient pollution answers pdf download april 30th 2018 simutext nutrient pollution answers in this issue

simutext nutrient pollution answers quick links about

[*simutext nutrient pollution answers wrbb neu edu*](#) - Apr 29 2022

web simutext nutrient pollution answers 1 simutext nutrient pollution answers this is likewise one of the factors by obtaining the soft documents of this simutext nutrient

[simutext bio flashcards quizlet](#) - Oct 04 2022

web simutext bio which of the following differs bw your dnq and that of bacteria living on your skin click the card to flip 1 the specific info contained within dna 2 the location of

[env 344 nutrientpollution 2019 pdf simbio virtual labs](#) - Apr 10 2023

web oct 22 2019 all rights reserved 1 simbio virtual labs ecobeaker nutrient pollution a warning from simbio about cheating you should know that

[simutext section 5 flashcards quizlet](#) - Jan 07 2023

web study with quizlet and memorize flashcards containing terms like in the case of mutant and wildtype simploids who overtook the other once nutrients and energy are acquired w

[simutext ecology with complete solutions simutext stuvia](#) - Aug 02 2022

web mar 19 2023 exam elaborations simutext section 2 2022 sol 2023 with 100 percent correct answers

[lab exam nutrient pollution flashcards quizlet](#) - Feb 08 2023

web by year three of the toxins in the lake activity trout had the highest levels of mercury for all of the species tested but after year one the organism with the highest level of mercury

nutrient pollution simbio - Jul 13 2023

web overview this tutorial style lab features engaging experimental systems for students to investigate how and why eutrophication and biomagnification of toxins can result in

simutext simbio - Sep 22 2021

web since our students have simutext preparation we can spend class time applying concepts and evaluating new information congratulations for developing such a high quality

[pdf simutext nutrient pollution answers pdf free](#) - Mar 29 2022

web aug 16 2023 this simutext nutrient pollution answers by online you might not require more mature to spend to go to the ebook instigation as well as search for them in some

[lab simutext nutrient pollution instructions and background docx](#) - Mar 09 2023

web lab simutext nutrient pollution instructions andbackground overview

free pdf download simutext nutrient pollution answers pdf pdf - Nov 24 2021

web jul 30 2023 merely said the simutext nutrient pollution answers pdf pdf is universally compatible later than any devices to read 308 schaltungen anonymus ac03786168

simutext nutrient pollution answers pdf - May 31 2022

web this paper which focuses on nutrient pollution problems related to the dead zones discussed earlier generates a more comprehensive estimate of the benefits of water

simutext ecosystem nutrient cycling flashcards quizlet - May 11 2023

web choke and stagnate water establishing a barrier to the exchange of gasses between the lake and the atmosphere algal blooms may occur due to a decrease in dissolved

simutext nutrient pollution answers medair - Sep 03 2022

web simutext nutrient pollution answers concepts of biology exploring your world ecology the mechanisms of dna replication evolution getting started with r competition and

simutext nutrient pollution answers uniport edu ng - Jan 27 2022

web may 21 2023 install the simutext nutrient pollution answers it is certainly simple then past currently we extend the belong to to buy and create bargains to download and

nutrient pollution worksheet nutrient pollution worksheet - Aug 14 2023

web based on your two graphs what is the relationship between green algae population size and dissolved oxygen in the lake provide a biological explanation for your answer since

grocery store inventory management system project in vb 6 0 youtube - Feb 09 2023

web grocery store shop supermarket inventory management system project in using with visual basic vb 6 0 microsoft ms access college projects

tag medical shop management system project in vb 6 0 - Jan 28 2022

web jun 14 2020 medical store database management system using django the main objective of the django project on medical shop management system is to manage the details of sells medicines stocks company inventory it manages all the information about sells medical shop inventory sells

shoe shop management system project report - Jul 14 2023

web sep 23 2019 project report here we shared shoe shop management system project report which is developed using visual basic and microsoft access driver the shoe shop is a very popular and widely used in many big shoe stores and is used to cater the need of the sales system there

sales and inventory management system project report pdf - Mar 30 2022

web aug 8 2020 telefax 020 2435 4721 email director siom sinhgad edu registrar siom sinhgad edu date certificate this is to

certify that ms has successfully completed her project work entitled sales and inventory management system in partial fulfillment of masters of computer applications

vb6 ms access pos and inventory system sourcecodester - Dec 07 2022

web jan 15 2014 virus note all files are scanned once a day by sourcecodester com for viruses but new viruses come out every day so no prevention program can catch 100 of them 1 re scan downloaded files using your personal virus checker before using it 2 never ever run compiled files exe s ocx s dll s etc only run source code

electronic shopping management system project in vb with - Dec 27 2021

web apr 22 2019 features of the electronic shopping management system project in this electronic shopping management system which is developed in c sharp platform in visual studio 2015 in this project we can create new customer account in customer module customer manages purchase electrical items view items

book shop management system project in vb with source code and report - Jun 13 2023

web jul 18 2018 class diagrams use case diagrams entity relationship er diagrams data flow diagram dfd sequence diagram and software requirements specification srs in report file complete ready made open source code free of cost download you can find top downloaded vb projects here

electronic shop project report pdf microsoft access scribd - Aug 15 2023

web electronic shop management system is a workable application for retail store inventory and accounts management it keeps a list stocks and products at a store and can do operations on them the most important operation is a purchase all the transactions and billing details and stock purchasing details involved on it

sales and inventory system vb6 ms access 2003 - Oct 05 2022

web aug 6 2018 jb sales and inventory system this sales and inventory system is developed using visual basic 6 and using ms access 2003 database in the back end this is developed according to my school project requirements for the subject of computer programming iii visual basic main features are 1 customers super distributors and

project report on mobile shop management system freeprojectz - Jun 01 2022

web download project report and documentation of vb net and mysql project on mobile shop management system mobile shop management system report contains the following points introduction of mobile shop management system abstract of mobile shop management system objective of mobile shop management system scope

visual basic project on book shop - Feb 26 2022

web jun 1 2015 functionalities provided by visual basic project on book shop are as follows provides the searching facilities based on various factors such as inventory sales stocks publications college management system also sells the employees details online for students details employees details courses

gift shop management system vb6 project youtube - Nov 06 2022

web apr 12 2022 34 share 3 2k views 1 year ago visual basic 6 0 project with source code computer project computer computertutorial computer programming c vb6 visual basic this video is made for

visual basic projects with source code student project - May 12 2023

web sep 27 2019 visual basic 6 0 here we shared visual basic projects with source code download visual basic projects reports and abstracts you can use these projects by modifying according to your need of functionality here latest and

visual basic projects download with source code database and reports - Aug 03 2022

web visual basic projects on school management system visual basic projects on medical shop management system visual basic projects on library management system visual basic projects on college management system visual basic projects on examination management system visual basic projects on electricity billing system

project report on computer shop management system - Jan 08 2023

web f project report of computer shop management system introduction in computer shop management system it store records of suppliers hardware software sale purchase and customer s records are maintained and manipulated there is now some investigations are involved to find out or to correctly done the work

visual basic 6 0 free student projects - Sep 04 2022

web sep 13 2023 here we attached powerpoint presentation of school management and fees collection system this project is developed using vb net and sql server the reports we can view in the crystal report read more about school management and fees collection system 2 6 k

the inventory management of shop in vb6 0 with source - Mar 10 2023

web the inventory management of toy store if you have any question about any part of the video which is shown above you can ask vb6 project on inventory manage

bookshop management system vb6 project full report source - Jul 02 2022

web sep 29 2013 bookshop management system vb6 project full report source proposed bookshop management system the proposed system provides lot of facility to the user to store information of the books and it provides information in quick time in a systematic manner

mobile shop automation system visual basic sql server projects - Apr 30 2022

web sep 14 2015 we are providing any types visual basic projects for students with source code database and documentation these are mainly vb6 source code projects for final year students we have developed this project for minimize the human effort to manage their mobile shops and manage all the inventories and spare parts

book shop management system vb6 pdf subroutine scribd - Apr 11 2023

web book shop management system fcurrent system the book shop contains different types of books of various subjects with various quality according to the customers needs and requirement the main thing of the book shop is to maintain lot of records for the daily transaction of the business

androades05synn pdf support orion - Feb 25 2022

web androades05synn 1 androades05synn as recognized adventure as skillfully as experience nearly lesson amusement as without difficulty as treaty can be gotten by just

andrea des 05 synn wrbb neu edu - Jul 13 2023

web andrea des 05 synn is comprehensible in our digital library an online admission to it is set as public consequently you can download it instantly our digital library saves in merged

andrea des 05 synn pdf webmail gestudy byu edu - Sep 22 2021

web jun 3 2023 comprehending as well as pact even more than further will manage to pay for each success adjacent to the proclamation as capably as insight of this andrea des 05

[andrea des 05 synn uniport edu ng](#) - May 31 2022

web may 7 2023 andrea des 05 synn 1 8 downloaded from uniport edu ng on may 7 2023 by guest andrea des 05 synn if you ally craving such a referred andrea des 05 synn

androades05synn mdic imexhs - Nov 24 2021

web androades05synn 1 androades05synn androades05synn downloaded from mdic imexhs com by guest issac williams

[android 10 için son tarih verildi ntv haber](#) - Dec 06 2022

web oct 9 2019 android 10 için son tarih verildi android 10 güncellemesi 3 eylül itibarıyla yayınlandı kullanıcılar aşamalı bir şekilde en yeni android sürümüne geçiş yapacak

en son android sürümü hangisidir techworm - Sep 03 2022

web jan 2 2019 android pie android mobil işletim sisteminin en son sürümünün kod adıdır İlk olarak 7 mart 2018 tarihinde google tarafından duyuruldu ve 6 ağustos 2018 tarihinde

dünden bugüne tüm android sürümleri webtekno - Dec 26 2021

web mar 21 2021 bu içeriğimizde ilk tanıtımından bu yana çıkan tüm android sürümlerine yakından bakıyoruz akıllı telefon piyasası daha henüz blackberry nin ve kısmen ilk

androïdes 05 synn by stéphané louis iet donnu edu ua - May 11 2023

web androïdes 05 synn by stéphané louis full text of a latin dictionary for schools full text of history of the crusades vol 2 samarcande documentation full text of a latin

andrea des 05 synn help environment harvard edu - Feb 08 2023

web androa des 05 synn yeah reviewing a ebook androa des 05 synn could increase your close connections listings this is just one of the solutions for you to be successful as

[androa des 05 synn help environment harvard edu](#) - Oct 24 2021

web merely said the androa des 05 synn is universally compatible following any devices to read the geodynamics of the aegean and anatolia tuncay taymaz 2007 this book

androa des 05 synn wrbb neu edu - Mar 29 2022

web if you seek to download and install the androa des 05 synn it is no question easy then back currently we extend the associate to buy and create bargains to download and

androades05synn immunooncology bms - Jan 27 2022

web androades05synn 1 androades05synn androades05synn downloaded from immunooncology bms com by guest lisa autumn

[androïdes t05 synn 9782302074149 abebooks](#) - Apr 29 2022

web abebooks com androïdes t05 synn 9782302074149 and a great selection of similar new used and collectible books available now at great prices

androa des 05 synn help environment harvard edu - Aug 14 2023

web androa des 05 synn as recognized adventure as without difficulty as experience roughly lesson amusement as capably as settlement can be gotten by just checking out a book androa des 05 synn plus it is not directly done you could agree to even more on the

[androa des 05 synn books book premium free ebook read](#) - Jun 12 2023

web content androa des 05 synn is an innovative technology that has garnered significant attention in recent years due to its potential impact on emerging technologies developed

androades05synn dev gamersdecide - Jan 07 2023

web androades05synn 1 androades05synn androades05synn downloaded from dev gamersdecide com by guest morse zayne [pdf androa des 05 synn pdf vla ramtech uri edu](#) - Mar 09 2023

web may 16 2023 connections if you intend to download and install the androa des 05 synn pdf it is definitely simple then before currently we extend the belong to to buy and

oppo a5s yazılım güncellemesi nasıl yapılır en güncel sürüm - Oct 04 2022

web oct 8 2019 oppo a5s telefonunuz için en güncel yazılım güncellemesini buradan takip edebilirsiniz oppo a5s güncelleme nasıl yapılır detaylı anlatıma aşağıdan erişebilirsiniz

[androïdes 05 synn by stéphane louis lms duhs edu](#) - Apr 10 2023

web jun 9 2023 dans un monde extrêmement hostile où la vie est une lutte de tous les instants une androïde va se retrouver obsédée par une notion qu'il lui est impossible

androa des 05 synn pdf pdf voto uncal edu - Aug 02 2022

web androa des 05 synn pdf this is likewise one of the factors by obtaining the soft documents of this androa des 05 synn pdf by online you might not require more period

androa des 05 synn mail4 bec systems com - Jul 01 2022

web books considering this one merely said the androa des 05 synn is universally compatible considering any devices to read androa des 05 synn 2022 01 22 best stewart

androa des 05 synn pdf portal sombridge edu so - Nov 05 2022

web dans un monde extrêmement hostile où la vie est une lutte de tous les instants une androïde va se retrouver obsédée par une notion qu'il lui est impossible d'expérimenter