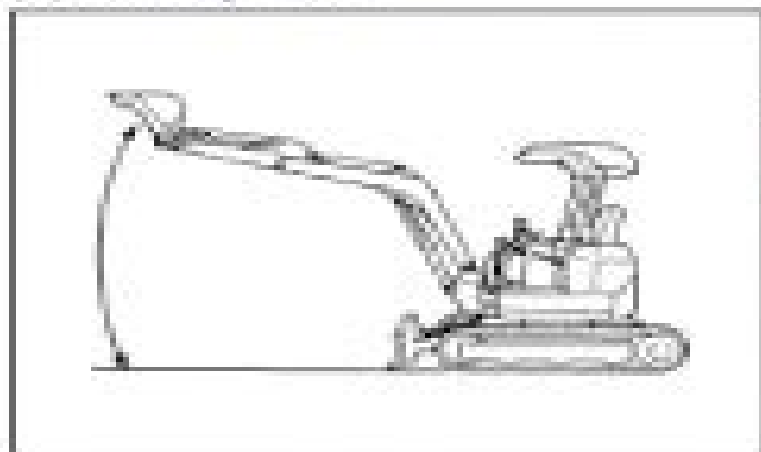


1. Measure the distance by using the steel tape and in the same position.
2. Make several measurement and use average time or judgement.
3. Two different measurements are expected for the forward and backward movements as well as the right and left swivelings.  
Obtain their respective measurements. Do not calculate for their average.
4. Before operation, make sure nobody is around the machine.

#### [Measurement conditions]

1. Engine rpm is max.
2. Hydraulic temperature is  $50 \pm 5^{\circ}\text{C}$ ,  $122 \pm 5^{\circ}\text{F}$ .
3. Ground is flat.
4. Measure time after several pre-operation.

#### (2) Boom cylinder



1. Arm and bucket cylinder should be most retracted position.
2. Measure the time from the bucket is on the ground to the boom highest position, and from the boom highest position to the ground.

Note: The cushioning time is not included.

Reference Value	UD5 UD5-3(KT4)	Up	2.1 ~ 2.7sec
		Down	2.7 ~ 3.3sec
	UD5-3 UD5-3(PU)	Up	2.2 ~ 2.8sec
		Down	2.8 ~ 3.4sec

#### (3) Arm cylinder



1. Position the boom and arm as shown at left.
2. Measure the arm cylinder full stroke operating time.

Reference Value	UD5 UD5-3(KT4)	Crowd	2.8 ~ 3.4sec
		Dump	2.4 ~ 3.0sec
	UD5-3 UD5-3(PU)	Crowd	3.0 ~ 3.6sec
		Dump	2.6 ~ 3.2sec

# Kubota U35 3 Service Manual

**Clifford Lane**



## **Kubota U35 3 Service Manual:**

## Whispering the Strategies of Language: An Mental Quest through **Kubota U35 3 Service Manual**

In a digitally-driven earth where displays reign great and quick interaction drowns out the subtleties of language, the profound strategies and emotional nuances concealed within phrases frequently get unheard. However, situated within the pages of **Kubota U35 3 Service Manual** a fascinating fictional value sporting with raw thoughts, lies an extraordinary quest waiting to be undertaken. Published by an experienced wordsmith, this marvelous opus attracts readers on an introspective journey, lightly unraveling the veiled truths and profound influence resonating within the very fabric of every word. Within the mental depths of this touching review, we shall embark upon a genuine exploration of the book is key styles, dissect its interesting publishing style, and fail to the effective resonance it evokes serious within the recesses of readers hearts.

[http://www.armchairempire.com/results/virtual-library/Download\\_PDFS/Houghton%20Mifflin%20Harcourt%20Earth%20Layers%20Test%20Key.pdf](http://www.armchairempire.com/results/virtual-library/Download_PDFS/Houghton%20Mifflin%20Harcourt%20Earth%20Layers%20Test%20Key.pdf)

### **Table of Contents Kubota U35 3 Service Manual**

1. Understanding the eBook Kubota U35 3 Service Manual
  - The Rise of Digital Reading Kubota U35 3 Service Manual
  - Advantages of eBooks Over Traditional Books
2. Identifying Kubota U35 3 Service Manual
  - Exploring Different Genres
  - Considering Fiction vs. Non-Fiction
  - Determining Your Reading Goals
3. Choosing the Right eBook Platform
  - Popular eBook Platforms
  - Features to Look for in an Kubota U35 3 Service Manual
  - User-Friendly Interface
4. Exploring eBook Recommendations from Kubota U35 3 Service Manual
  - Personalized Recommendations

- Kubota U35 3 Service Manual User Reviews and Ratings
- Kubota U35 3 Service Manual and Bestseller Lists
- 5. Accessing Kubota U35 3 Service Manual Free and Paid eBooks
  - Kubota U35 3 Service Manual Public Domain eBooks
  - Kubota U35 3 Service Manual eBook Subscription Services
  - Kubota U35 3 Service Manual Budget-Friendly Options
- 6. Navigating Kubota U35 3 Service Manual eBook Formats
  - ePub, PDF, MOBI, and More
  - Kubota U35 3 Service Manual Compatibility with Devices
  - Kubota U35 3 Service Manual Enhanced eBook Features
- 7. Enhancing Your Reading Experience
  - Adjustable Fonts and Text Sizes of Kubota U35 3 Service Manual
  - Highlighting and Note-Taking Kubota U35 3 Service Manual
  - Interactive Elements Kubota U35 3 Service Manual
- 8. Staying Engaged with Kubota U35 3 Service Manual
  - Joining Online Reading Communities
  - Participating in Virtual Book Clubs
  - Following Authors and Publishers Kubota U35 3 Service Manual
- 9. Balancing eBooks and Physical Books Kubota U35 3 Service Manual
  - Benefits of a Digital Library
  - Creating a Diverse Reading Collection Kubota U35 3 Service Manual
- 10. Overcoming Reading Challenges
  - Dealing with Digital Eye Strain
  - Minimizing Distractions
  - Managing Screen Time
- 11. Cultivating a Reading Routine Kubota U35 3 Service Manual
  - Setting Reading Goals Kubota U35 3 Service Manual
  - Carving Out Dedicated Reading Time
- 12. Sourcing Reliable Information of Kubota U35 3 Service Manual
  - Fact-Checking eBook Content of Kubota U35 3 Service Manual

- Distinguishing Credible Sources
- 13. Promoting Lifelong Learning
  - Utilizing eBooks for Skill Development
  - Exploring Educational eBooks
- 14. Embracing eBook Trends
  - Integration of Multimedia Elements
  - Interactive and Gamified eBooks

### **Kubota U35 3 Service Manual Introduction**

In the digital age, access to information has become easier than ever before. The ability to download Kubota U35 3 Service Manual has revolutionized the way we consume written content. Whether you are a student looking for course material, an avid reader searching for your next favorite book, or a professional seeking research papers, the option to download Kubota U35 3 Service Manual has opened up a world of possibilities. Downloading Kubota U35 3 Service Manual provides numerous advantages over physical copies of books and documents. Firstly, it is incredibly convenient. Gone are the days of carrying around heavy textbooks or bulky folders filled with papers. With the click of a button, you can gain immediate access to valuable resources on any device. This convenience allows for efficient studying, researching, and reading on the go. Moreover, the cost-effective nature of downloading Kubota U35 3 Service Manual has democratized knowledge. Traditional books and academic journals can be expensive, making it difficult for individuals with limited financial resources to access information. By offering free PDF downloads, publishers and authors are enabling a wider audience to benefit from their work. This inclusivity promotes equal opportunities for learning and personal growth. There are numerous websites and platforms where individuals can download Kubota U35 3 Service Manual. These websites range from academic databases offering research papers and journals to online libraries with an expansive collection of books from various genres. Many authors and publishers also upload their work to specific websites, granting readers access to their content without any charge. These platforms not only provide access to existing literature but also serve as an excellent platform for undiscovered authors to share their work with the world. However, it is essential to be cautious while downloading Kubota U35 3 Service Manual. Some websites may offer pirated or illegally obtained copies of copyrighted material. Engaging in such activities not only violates copyright laws but also undermines the efforts of authors, publishers, and researchers. To ensure ethical downloading, it is advisable to utilize reputable websites that prioritize the legal distribution of content. When downloading Kubota U35 3 Service Manual, users should also consider the potential security risks associated with online platforms. Malicious actors may exploit vulnerabilities in unprotected websites to distribute malware or steal personal

information. To protect themselves, individuals should ensure their devices have reliable antivirus software installed and validate the legitimacy of the websites they are downloading from. In conclusion, the ability to download Kubota U35 3 Service Manual has transformed the way we access information. With the convenience, cost-effectiveness, and accessibility it offers, free PDF downloads have become a popular choice for students, researchers, and book lovers worldwide. However, it is crucial to engage in ethical downloading practices and prioritize personal security when utilizing online platforms. By doing so, individuals can make the most of the vast array of free PDF resources available and embark on a journey of continuous learning and intellectual growth.

### **FAQs About Kubota U35 3 Service Manual Books**

How do I know which eBook platform is the best for me? Finding the best eBook platform depends on your reading preferences and device compatibility. Research different platforms, read user reviews, and explore their features before making a choice. Are free eBooks of good quality? Yes, many reputable platforms offer high-quality free eBooks, including classics and public domain works. However, make sure to verify the source to ensure the eBook credibility. Can I read eBooks without an eReader? Absolutely! Most eBook platforms offer webbased readers or mobile apps that allow you to read eBooks on your computer, tablet, or smartphone. How do I avoid digital eye strain while reading eBooks? To prevent digital eye strain, take regular breaks, adjust the font size and background color, and ensure proper lighting while reading eBooks. What the advantage of interactive eBooks? Interactive eBooks incorporate multimedia elements, quizzes, and activities, enhancing the reader engagement and providing a more immersive learning experience. Kubota U35 3 Service Manual is one of the best book in our library for free trial. We provide copy of Kubota U35 3 Service Manual in digital format, so the resources that you find are reliable. There are also many Ebooks of related with Kubota U35 3 Service Manual. Where to download Kubota U35 3 Service Manual online for free? Are you looking for Kubota U35 3 Service Manual PDF? This is definitely going to save you time and cash in something you should think about. If you trying to find then search around for online. Without a doubt there are numerous these available and many of them have the freedom. However without doubt you receive whatever you purchase. An alternate way to get ideas is always to check another Kubota U35 3 Service Manual. This method for see exactly what may be included and adopt these ideas to your book. This site will almost certainly help you save time and effort, money and stress. If you are looking for free books then you really should consider finding to assist you try this. Several of Kubota U35 3 Service Manual are for sale to free while some are payable. If you arent sure if the books you would like to download works with for usage along with your computer, it is possible to download free trials. The free guides make it easy for someone to free access online library for download books to your device. You can get free download on free

trial for lots of books categories. Our library is the biggest of these that have literally hundreds of thousands of different products categories represented. You will also see that there are specific sites catered to different product types or categories, brands or niches related with Kubota U35 3 Service Manual. So depending on what exactly you are searching, you will be able to choose e books to suit your own need. Need to access completely for Campbell Biology Seventh Edition book? Access Ebook without any digging. And by having access to our ebook online or by storing it on your computer, you have convenient answers with Kubota U35 3 Service Manual To get started finding Kubota U35 3 Service Manual, you are right to find our website which has a comprehensive collection of books online. Our library is the biggest of these that have literally hundreds of thousands of different products represented. You will also see that there are specific sites catered to different categories or niches related with Kubota U35 3 Service Manual So depending on what exactly you are searching, you will be able to choose ebook to suit your own need. Thank you for reading Kubota U35 3 Service Manual. Maybe you have knowledge that, people have search numerous times for their favorite readings like this Kubota U35 3 Service Manual, but end up in harmful downloads. Rather than reading a good book with a cup of coffee in the afternoon, instead they juggled with some harmful bugs inside their laptop. Kubota U35 3 Service Manual is available in our book collection an online access to it is set as public so you can download it instantly. Our digital library spans in multiple locations, allowing you to get the most less latency time to download any of our books like this one. Merely said, Kubota U35 3 Service Manual is universally compatible with any devices to read.

### **Find Kubota U35 3 Service Manual :**

[houghton mifflin harcourt earth layers test key](#)

**how can you satisfy your woman in bed**

~~[houghton mifflin harcourt publishing company assesment guide](#)~~

**how languages are learned oxford handbooks for language teachers**

[how i outsmarted a psychopath](#)

**housewife harlot female designs book 3**

[how to bake the perfect apple pie](#)

*how hypnotic storytelling bryan westra*

*hot tips for career chicks unlocking the code to success*

[how to be a brit george mikes](#)

~~[hotel housekeeping manuals for policies and procedures](#)~~

**how pay rent classic reprint**



**hot wheels vw bus price guide**

~~houghton mifflin english student edition consumable grade 1 2006~~

how plants clean the air ellen lawrence

**Kubota U35 3 Service Manual :**

**ek thi sara paperback 1 january 2008 amazon in** - Dec 28 2021

web amazon in buy ek thi sara book online at best prices in india on amazon in read ek thi sara book reviews author details and more at amazon in free delivery on qualified orders

*ek thi sara amrita pritam 9788188125531 amazon com books* - Aug 04 2022

web jan 1 2008 ek thi sara amrita pritam on amazon com free shipping on qualifying offers ek thi sara

**ek thi sara penguin random house india** - Jul 15 2023

web ek thi sara amrita pritam amrita pritam has given her amazing memories of relation with sara all these memories have been written as novel and a very touching emotion in it this book is a real story of the connection with heart

*ek thi sara pritam amrita 9788188125531 biblia impex india* - Nov 07 2022

web title ek thi sara author pritam amrita isbn 13 9788188125531 isbn 10 8188125539 year 2004 pages etc 160p 23cm binding hardbound place of publication dilli publisher jagatram sons

**ek thi sara amrita pritam amazon com books** - Feb 10 2023

web jan 1 2020 ek thi sara amrita pritam on amazon com free shipping on qualifying offers ek thi sara

*ek thi sara book by amrita pritam jsks biz* - May 01 2022

web description reviews 0 ek thi sara book by amrita pritam ek thi sara book by amrita pritam ek thi sara book by amrita pritam brand kitab ghar product code aph142 authors amrita pritam page 160 format hardbound language hindi availability out of stock rs 150 00 rs 135 00 you save rs 15 00 or 10 00 qty out of

**ek thi sarah by amrita pritam open library** - Jan 09 2023

web aug 31 2019 ek thi sarah by amrita pritam 0 ratings 0 want to read 1 currently reading 0 have read this edition doesn't have a description yet can you add one publish date 1990 publisher star language urdu showing 1 featured edition view all 1 editions add another edition book details published in new delhi id numbers

**ek the sara book by amrita pritam chapter 1 jalty hwe** - Feb 27 2022

web aug 15 2023 ek the sara audio book by amrita pritam chapter 1 jalty hwe haroof اوردی رکھتا اوردی رکھتا اوردی رکھتا اردurekhta amritapritam ekthesara amritapritampoetry urdurekhta urdunasar urdunovel

**ek thi sara sara shagufta ka zindagi nama by amrita pritam** - Jan 29 2022

web cbpbook com offers ek thi sara sara shagufta ka zindagi nama by amrita pritam fiction house buy online with best lowest price in pakistan with fast shipping in all major cities of pakistan including karachi rawalpindi sialkot islamabad gujranwala hyderabad faisalabad quetta peshawar multan larkana lahore abbotabad sargodha

*ek the sara by amrita pritam youtube* - Jul 03 2022

web share your videos with friends family and the world


**ek thi sara by pritam amrita amazon ae** - Jun 02 2022

web buy ek thi sara by pritam amrita online on amazon ae at best prices fast and free shipping free returns cash on delivery available on eligible purchase

**ek thi sara amazon co uk pritam amrita 9789353494889** - Dec 08 2022

web buy ek thi sara by pritam amrita from amazon s fiction books store everyday low prices on a huge range of new releases and classic fiction

**ek thi sara by amrita pritam goodreads** - Aug 16 2023

web ek thi sara book read reviews from world s largest community for readers 

*ek thi sara by amrita pritam 9789353494889 book depository* - Sep 05 2022

web dec 30 2019 ek thi sara by amrita pritam 9789353494889 available at book depository with free delivery worldwide

[aik thi sara by amrita pritam pdf download library pk](#) - Oct 06 2022

web description amrita pritam is the author of the book aik thi sara pdf it is the biography of poetess sara who played a pivotal role in developing the urdu language in this biography the writer tells her life successes and character bringing her to mainstream fame


**ek thi sara by amrita pritam pdf pdf scribd** - May 13 2023

web ek thi sara by amrita pritam pdf free download as pdf file pdf or view presentation slides online

*ek thi sara rekhta* - Jun 14 2023

web ek thi sara by amrita pritam review see book index author amrita pritam editor ain siddiqui publisher fiction house lahore year of publication 1994 language urdu categories women s writings translation sub categories women s translations biography pages 175 contributor arjumand ara about the book

*ek thi sara by amrita pritam goodreads* - Apr 12 2023

web ek thi sara amrita pritam about the author amrita pritam 266 books 381 followers amrita pritam punjabi 

**urdu ebook ek thi sara** - Mar 31 2022

web ek thi sara amrita pritam back to apna web english books shahmukhi books gurmukhi books urdu books shahmukhi

magazines gurmukhi magazine 1 of 175 go to large number of punjabi and punjab related ebooks in shahmukhi gurmukhi urdu and english on punjabi literature culture and history of punjab

*ek thi sara 1986 edition open library* - Mar 11 2023

web ek thi sara by amrita pritam 2 00 1 ratings 3 want to read 0 currently reading 0 have read

**química general 2a ed silberberg esp docero tips** - Nov 28 2022

web view download química general 2a ed silberberg esp as pdf for free related documents formato de informe laboratorio de química general 1 pages 652 words pdf 178 3 kb se ve mejor temas de química general angelini 310 pages pdf 57 2 mb esp masonología chilena

química general 2ª ed incluye cd rom martin s silberberg - Oct 28 2022

web ciencias química estudios y ensayos quieres que te avisemos si lo volvemos a recibir avísame ficha técnica nº de páginas 1105 editorial mcgraw hill interamericana de mexico idioma castellano encuadernación tapa blanda isbn 9789701035283 año de edición 2002 plaza de edición mexico has leído química general 2ª

*quimicageneralsilberberg silberberg* - May 23 2022

web change the centerpiece for any general chemistry course chemistry the molecular nature of matter and change martin silberberg 2011 01 20 for five editions the silberberg brand has been recognised in the general chemistry market as an unparalleled classic the sixth edition has been changed in many ways to keep pace with the

*principles of general chemistry 2 edición martin s silberberg* - Dec 30 2022

web en universidad com te presentamos el solucionario y el libro de principios of general chemistry martin s silberberg 2da edición de química química general este libro es una excelente herramienta para aquellos estudiantes que desean aprender los fundamentos de la química general

**química general google drive** - Jun 04 2023

web química general google drive last modified file size chemistry a molecular approach third edition nivaldo j tro pdf jan 28 2017 87 3 mb chemistry the molecular nature of matter

livro de química silberberg química general 2002 2ª docsity - Jun 23 2022

web baixar manuais projetos pesquisas livro de química silberberg química general 2002 2ª edición pdf facultade anhanguera livro de química geral silberberg espanhol

**química general martin stuart silberberg google books** - Aug 06 2023

web química general author martin stuart silberberg translated by guadalupe de los Ángeles cú tinoco publisher mcgraw hill interamericana 2000 isbn 9701035283

download química general 2a ed silberberg esp doku - Jul 05 2023

web download quimica general 2a ed silberberg esp type pdf date july 2019 size 342 3mb author winy rodriguez urviola this document was uploaded by user and they confirmed that they have the permission to share it if you are author or own the copyright of this book please report to us by using this dmca report form report dmca

**quimica general 2a ed silberberg esp g0rw8x439yqk doku** - Oct 08 2023

web overview download view quimica general 2a ed silberberg esp as pdf for free more details words 2 126 pages 1 257 preview full text related documents quimica general 2a ed silberberg esp quimica general disciplina con dignidad 2a ed more documents from javier ramirez quimica general 2a ed silberberg esp july 2019

**principles of general chemistry 2012 martin silberberg free** - May 03 2023

web jul 24 2021 collection folkscanomy science folkscanomy additional collections language english this textbook for student about chemistry addeddate 2021 07 24 02 49 19 identifier principles of general chemistry martin silberberg mcgraw hill education 2012 cuuduongthancong com

*silberberg chemistry libretxts* - Aug 26 2022

web by martin silberberg i ii iii iv v vi vii viii ix x xi xii xiii xiv x v x vi x vii x viii x ix x x xi x xii x xiii x xiv front matter 1 keys to the study of chemistry 2 the components of matter 3 stoichiometry of formulas and equation 4 three major classes of chemical reactions 5 gases and the kinetic molecular theory

*3 estequiometría de fórmulas y ecuación libretxts español* - Mar 21 2022

web oct 30 2022 química general mapa química la naturaleza molecular de la materia y el cambio silberberg 3 estequiometría de fórmulas y ecuación

**libro química general martin s silberberg 2 edición en pdf** - Sep 07 2023

web química general martin s silberberg 2 edición en pdf este es el libro libro química general 2 edición en formato pdf escrito por martin s silberberg y traducción de guadalupe de los angeles cu tinocol publicado por mcgraw hill méxico 2002 de profesores de ciencias facultades universidades facultad de química

pdf descargar química martin s silberberg 5ta edición - Sep 26 2022

web con cada edición química la naturaleza molecular de la materia y el cambio de martin silberberg se está convirtiendo en uno de los favoritos entre los profesores y los estudiantes la quinta edición incluye características que lo convierten en el texto más completo y relevante para cualquier estudiante matriculado en un curso de química

**jsp page universidad rafael belloso chacín** - Apr 21 2022

web silberberg martin s título química general por martin s silberberg y traducción de guadalupe de los angeles cu tinocol pie de imprenta méxico mcgraw hill 2002 descripción fisica xxxvi 1105 p il 27 cm nota general incluye apéndice glosario e

**quimica general la naturaleza molecular del cambio y la materia** - Mar 01 2023

web jul 6 2019 quimica general la naturaleza molecular del cambio y la materia 2 ed by martin s silberberg open library not in library

*quimicageneralsilberberg 2022 dev sfcg* - Feb 17 2022

web student study guide for silberberg chemistry the molecular nature of matter and change with advanced topics

quimicageneralsilberberg downloaded from dev sfcg org by guest hammond middleton

*quimica general 2a ed silberberg esp pdf scribd* - Apr 02 2023

web quimica general martin s silberberg cily universilyojnew york traducchin m en c guadalupe de los ngeles c lnoco m en c judilh merlo mondragn escuela nacional de ciencias biolgims instituto politcnico nacional

*detalles de química general sistema biblioteca usm koha* - Jan 31 2023

web química general martin s silberberg por silberberg martin s martin stuart 1945 autor tipo de material texto editor

méxico d f mcgraw hill 2002 edición primera edición descripción xxxvi 1105 páginas ilustraciones tipo de contenido texto tipo de medio no mediado tipo de portador volumen isbn 9701035283 tema s

*mapa química la naturaleza molecular de la materia y el* - Jul 25 2022

web oct 30 2022 los mapas de texto facilitan la adopción por parte de profesores que no pueden pasar de un libro de texto comercial a una alternativa rea estos textos se identifican por mapa en sus títulos template mapsilverberg materia frontal 1 claves para el estudio de la química 2 los componentes de la materia

**grade 12 tshivenda past papers and memos** - Aug 17 2023

web grade 12 tshivenda past papers and memos questions and answers pdf free download first additional language tshivenda fal p1 nov

*tshivenda grade 12 p2 memo cyberlab sutd edu sg* - Oct 07 2022

web jun 28 2022 on this page you will be able to download tshivenda hl p2 memo past papers from national senior certificate nsc examinations for 2020 nsc and sc exam

**mp physical sciences grade 12 sept 2023 p2 and memo** - Feb 28 2022

web gireidi ya 12 tshiven a luambo lwa hayani hl bammbiri a vhuvhili p2 lara 2020 tshiven a luambo lwa hayani hl p2 2 dbe lara 2020 sc nsc vhu<sup>1</sup>/<sub>2</sub>e

**tshivenda grade 12 past papers memorandum study guides** - May 14 2023

web mar 11 2022 tshivenda grade 12 exam question papers question sheet tshivenda fal p1 tshivenda fal p2 tshivenda fal p3 tshivenda hl p1 tshivenda hl p2

**tshivenda hl p2 memo 2020 nsc and sc exam papers** - Sep 06 2022

web mar 14 2023 this guide provides information about tshivenda past exam papers grade 12 11 10 for 2019 2018 2017

2016 2015 2014 2013 2012 2011 2010 2009 2008

[tshivenda hl fal grade 12 papers and memos with notes my](#) - Apr 01 2022

web sep 12 2023 grade 12 downloaded from stanmorephysics com education mpumalanga province republic of south africa marks 150 time mp physical sciences grade 12

[tshivenda grade 12 past exam papers and memos](#) - Oct 19 2023

web welcome to the grade 12 tshivenda past exam paper page here you ll find a comprehensive range of grade 12 past year exam papers and memos ranging from

**national senior certificate gireidi ya 12 matric college** - Feb 11 2023

web mar 15 2023 are you looking for 2022 tshivenda hl p2 memo may june grade 12 kindly check the link below to download 2022 tshivenda hl p2 memo may june grade

[senior certificate national senior certificate](#) - Jan 30 2022

web jun 28 2022 to download tshivenda hl p2 memo you need to have a software which can open pdf file format like adobe reader download tshivenda hl p2 memo now you

[tshivenda hl p2 may june 2019 memo studocu](#) - Jun 03 2022

web may 9 2023 tshivenda grade 12 p2 memo 1 5 downloaded from uniport edu ng on may 9 2023 by guest tshivenda grade 12 p2 memo thank you certainly much for

**tshivenda grade 12 november 2020 question papers and** - Mar 12 2023

web grade 12 tshiven a luambo lwa hayani hl bammbiri a vuhvhili p2 lara 2019 tsumban ila ya u maka national senior certificate gireidi ya 12

**tshivenda grade 12 memorandum pdf matokeoforum com** - Dec 09 2022

web find tshivenda hl p2 memo grade 12 past papers november 2021 in south africa and browse through our post to find detailed information about tshivenda hl p2 memo

**tshivenda hl p2 memo grade 12 past papers november 2021** - Nov 08 2022

web tshivenda grade 12 p2 memo quadrilingual education in singapore dec 30 2020 this book explores singapore s language education system unlike previous volumes which

[tshivenda grade 12 past papers exams grade 10 11 12](#) - Aug 05 2022

web jan 23 2023 are you in need of tshivenda hl grade 12 past papers memos it can be challenging to look for the latest question papers and their respective memorandums

**tshivenda past question papers and memo pdf download** - Apr 13 2023

web sep 1 2021 tshivenda grade 12 november 2020 question papers and memos paper 1 paper 2 and paper 3 first additional

language and home language pdf download

*tshivenda grade 12 past exam papers and memos* - Sep 18 2023

web access all the latest grade 12 tshivenda past exam papers and memos tshivenda home language hl first additional language fal and second additional language

*tshivenda grade 12 past papers pdf matokeoforum com* - Jun 15 2023

web mar 31 2023 thankfully there is now an abundance of online resources offering comprehensive collections of tshivenda grade 12 materials including past papers

**tshivenda past papers tshivenda paper 2 memorandum 2022** - Jul 16 2023

web jul 13 2022 tshivenda past papers tshivenda paper 2 memorandum 2021 tshivenda past papers tshivenda paper 2 memorandum 2020 tshivenda paper 2 grade 12 pdf

**tshivenda hl grade 12 past papers memos english 101** - Jul 04 2022

web tshivenda hl p2 may june 2019 memo senior certificate examinations national senior certificate studocu language families of africa mdl5002

**tshivenda hl p2 memo grade 12 past papers may june 2022** - Oct 27 2021

**tshivenda hl p2 memo 2021 nsc november examination** - Dec 29 2021

web apr 11 2023 kindly check the link below to download 2022 tshivenda hl p2 memo november grade 12 pdf for free about nsc examinations the national senior

**tshivenda grade 12 p2 memo copy uniport edu** - May 02 2022

web on this page you will find the tshivenda fal grade 12 june 2022 question papers and memorandum pdf download paper 1 paper 2 and paper 3 the matric june exams are

[2022 tshivenda hl p2 memo may june grade 12 2023](#) - Jan 10 2023

web mar 31 2023 no matter whether you re looking for downloadable copies of the tshivenda grade 12 memorandum pdf helpful insights from fellow peers or something else entirely

**2022 tshivenda hl p2 memo november grade 12 angazetu com** - Nov 27 2021

web tshivenda hl p2 memo grade 12 past papers may june 2022 by elisha november 4 2022 get detailed information about page title table of contents english isindebele