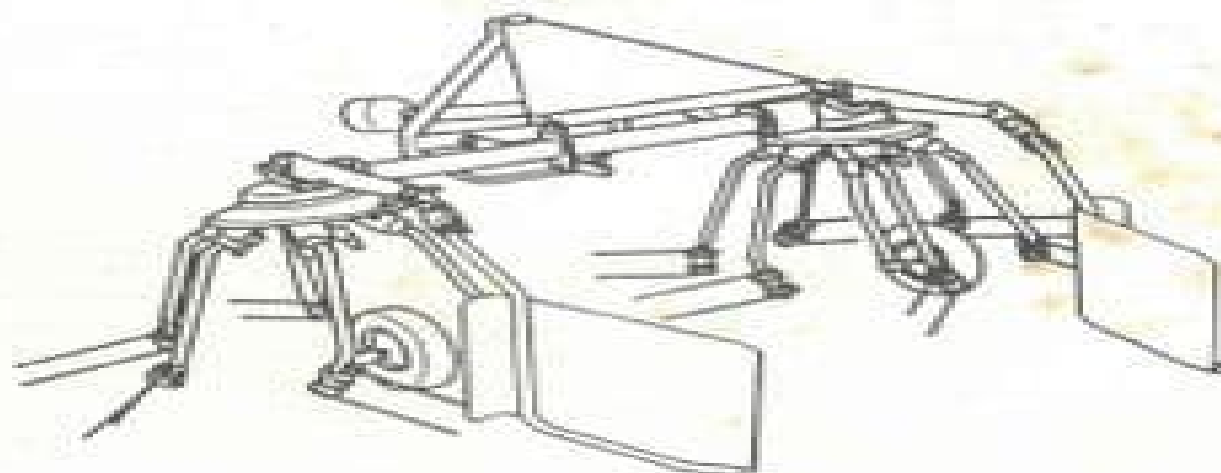


**GIROSTAR  
GYROSTAR**

**GRS 24**



**Pièces de rechange  
Ersatzteilliste  
Spare parts list**

**Telex: 890 174**

**N°9014 296 06**



**KUHN S.A.**

B.P. N° 60

67 706 SAVERNE Cédex (France)

TEL. 88 81 21 10

Centre Agricole au Capital de 12 000 000 F

N° SIRENE 875 560 542 (88088) R.C. SAVERNE

# Kuhn Grs 24 Tedder Manual

**Michael Hoelscher**



## **Kuhn Grs 24 Tedder Manual:**

This Captivating Realm of E-book Books: A Thorough Guide Revealing the Advantages of Kindle Books: A World of Ease and Versatility E-book books, with their inherent mobility and ease of access, have liberated readers from the constraints of physical books. Gone are the days of lugging cumbersome novels or carefully searching for specific titles in bookstores. E-book devices, sleek and portable, seamlessly store an wide library of books, allowing readers to immerse in their favorite reads anytime, anywhere. Whether commuting on a bustling train, relaxing on a sunny beach, or just cozying up in bed, E-book books provide an unparalleled level of convenience. A Literary World Unfolded: Exploring the Vast Array of E-book Kuhn Grs 24 Tedder Manual Kuhn Grs 24 Tedder Manual The Kindle Shop, a digital treasure trove of bookish gems, boasts an wide collection of books spanning diverse genres, catering to every readers taste and choice. From captivating fiction and thought-provoking non-fiction to classic classics and modern bestsellers, the E-book Shop offers an exceptional abundance of titles to explore. Whether seeking escape through engrossing tales of imagination and adventure, diving into the depths of past narratives, or broadening ones understanding with insightful works of scientific and philosophical, the E-book Shop provides a doorway to a literary world brimming with endless possibilities. A Revolutionary Factor in the Bookish Scene: The Enduring Influence of Kindle Books Kuhn Grs 24 Tedder Manual The advent of E-book books has certainly reshaped the literary scene, introducing a model shift in the way books are published, distributed, and read. Traditional publishing houses have embraced the digital revolution, adapting their strategies to accommodate the growing demand for e-books. This has led to a surge in the availability of E-book titles, ensuring that readers have entry to a vast array of bookish works at their fingertips. Moreover, E-book books have democratized entry to books, breaking down geographical barriers and providing readers worldwide with similar opportunities to engage with the written word. Irrespective of their place or socioeconomic background, individuals can now engross themselves in the intriguing world of books, fostering a global community of readers. Conclusion: Embracing the E-book Experience Kuhn Grs 24 Tedder Manual E-book books Kuhn Grs 24 Tedder Manual, with their inherent convenience, flexibility, and vast array of titles, have unquestionably transformed the way we encounter literature. They offer readers the freedom to discover the limitless realm of written expression, anytime, everywhere. As we continue to travel the ever-evolving digital scene, Kindle books stand as testament to the lasting power of storytelling, ensuring that the joy of reading remains accessible to all.

<http://www.armchairempire.com/book/book-search/fetch.php/Honda%20Crv%20Service%20Manual%202015.pdf>

## Table of Contents Kuhn Grs 24 Tedder Manual

1. Understanding the eBook Kuhn Grs 24 Tedder Manual
  - The Rise of Digital Reading Kuhn Grs 24 Tedder Manual
  - Advantages of eBooks Over Traditional Books
2. Identifying Kuhn Grs 24 Tedder Manual
  - Exploring Different Genres
  - Considering Fiction vs. Non-Fiction
  - Determining Your Reading Goals
3. Choosing the Right eBook Platform
  - Popular eBook Platforms
  - Features to Look for in an Kuhn Grs 24 Tedder Manual
  - User-Friendly Interface
4. Exploring eBook Recommendations from Kuhn Grs 24 Tedder Manual
  - Personalized Recommendations
  - Kuhn Grs 24 Tedder Manual User Reviews and Ratings
  - Kuhn Grs 24 Tedder Manual and Bestseller Lists
5. Accessing Kuhn Grs 24 Tedder Manual Free and Paid eBooks
  - Kuhn Grs 24 Tedder Manual Public Domain eBooks
  - Kuhn Grs 24 Tedder Manual eBook Subscription Services
  - Kuhn Grs 24 Tedder Manual Budget-Friendly Options
6. Navigating Kuhn Grs 24 Tedder Manual eBook Formats
  - ePub, PDF, MOBI, and More
  - Kuhn Grs 24 Tedder Manual Compatibility with Devices
  - Kuhn Grs 24 Tedder Manual Enhanced eBook Features
7. Enhancing Your Reading Experience
  - Adjustable Fonts and Text Sizes of Kuhn Grs 24 Tedder Manual
  - Highlighting and Note-Taking Kuhn Grs 24 Tedder Manual
  - Interactive Elements Kuhn Grs 24 Tedder Manual
8. Staying Engaged with Kuhn Grs 24 Tedder Manual

- Joining Online Reading Communities
  - Participating in Virtual Book Clubs
  - Following Authors and Publishers Kuhn Grs 24 Tedder Manual
9. Balancing eBooks and Physical Books Kuhn Grs 24 Tedder Manual
- Benefits of a Digital Library
  - Creating a Diverse Reading Collection Kuhn Grs 24 Tedder Manual
10. Overcoming Reading Challenges
- Dealing with Digital Eye Strain
  - Minimizing Distractions
  - Managing Screen Time
11. Cultivating a Reading Routine Kuhn Grs 24 Tedder Manual
- Setting Reading Goals Kuhn Grs 24 Tedder Manual
  - Carving Out Dedicated Reading Time
12. Sourcing Reliable Information of Kuhn Grs 24 Tedder Manual
- Fact-Checking eBook Content of Kuhn Grs 24 Tedder Manual
  - Distinguishing Credible Sources
13. Promoting Lifelong Learning
- Utilizing eBooks for Skill Development
  - Exploring Educational eBooks
14. Embracing eBook Trends
- Integration of Multimedia Elements
  - Interactive and Gamified eBooks

### **Kuhn Grs 24 Tedder Manual Introduction**

In the digital age, access to information has become easier than ever before. The ability to download Kuhn Grs 24 Tedder Manual has revolutionized the way we consume written content. Whether you are a student looking for course material, an avid reader searching for your next favorite book, or a professional seeking research papers, the option to download Kuhn Grs 24 Tedder Manual has opened up a world of possibilities. Downloading Kuhn Grs 24 Tedder Manual provides numerous advantages over physical copies of books and documents. Firstly, it is incredibly convenient. Gone are the days of carrying around heavy textbooks or bulky folders filled with papers. With the click of a button, you can gain immediate access to

valuable resources on any device. This convenience allows for efficient studying, researching, and reading on the go. Moreover, the cost-effective nature of downloading Kuhn Grs 24 Tedder Manual has democratized knowledge. Traditional books and academic journals can be expensive, making it difficult for individuals with limited financial resources to access information. By offering free PDF downloads, publishers and authors are enabling a wider audience to benefit from their work. This inclusivity promotes equal opportunities for learning and personal growth. There are numerous websites and platforms where individuals can download Kuhn Grs 24 Tedder Manual. These websites range from academic databases offering research papers and journals to online libraries with an expansive collection of books from various genres. Many authors and publishers also upload their work to specific websites, granting readers access to their content without any charge. These platforms not only provide access to existing literature but also serve as an excellent platform for undiscovered authors to share their work with the world. However, it is essential to be cautious while downloading Kuhn Grs 24 Tedder Manual. Some websites may offer pirated or illegally obtained copies of copyrighted material. Engaging in such activities not only violates copyright laws but also undermines the efforts of authors, publishers, and researchers. To ensure ethical downloading, it is advisable to utilize reputable websites that prioritize the legal distribution of content. When downloading Kuhn Grs 24 Tedder Manual, users should also consider the potential security risks associated with online platforms. Malicious actors may exploit vulnerabilities in unprotected websites to distribute malware or steal personal information. To protect themselves, individuals should ensure their devices have reliable antivirus software installed and validate the legitimacy of the websites they are downloading from. In conclusion, the ability to download Kuhn Grs 24 Tedder Manual has transformed the way we access information. With the convenience, cost-effectiveness, and accessibility it offers, free PDF downloads have become a popular choice for students, researchers, and book lovers worldwide. However, it is crucial to engage in ethical downloading practices and prioritize personal security when utilizing online platforms. By doing so, individuals can make the most of the vast array of free PDF resources available and embark on a journey of continuous learning and intellectual growth.

### **FAQs About Kuhn Grs 24 Tedder Manual Books**

**What is a Kuhn Grs 24 Tedder Manual PDF?** A PDF (Portable Document Format) is a file format developed by Adobe that preserves the layout and formatting of a document, regardless of the software, hardware, or operating system used to view or print it. **How do I create a Kuhn Grs 24 Tedder Manual PDF?** There are several ways to create a PDF: Use software like Adobe Acrobat, Microsoft Word, or Google Docs, which often have built-in PDF creation tools. Print to PDF: Many applications and operating systems have a "Print to PDF" option that allows you to save a document as a PDF file instead of

printing it on paper. Online converters: There are various online tools that can convert different file types to PDF. **How do I edit a Kuhn Grs 24 Tedder Manual PDF?** Editing a PDF can be done with software like Adobe Acrobat, which allows direct editing of text, images, and other elements within the PDF. Some free tools, like PDFescape or Smallpdf, also offer basic editing capabilities. **How do I convert a Kuhn Grs 24 Tedder Manual PDF to another file format?** There are multiple ways to convert a PDF to another format: Use online converters like Smallpdf, Zamzar, or Adobe Acrobats export feature to convert PDFs to formats like Word, Excel, JPEG, etc. Software like Adobe Acrobat, Microsoft Word, or other PDF editors may have options to export or save PDFs in different formats. **How do I password-protect a Kuhn Grs 24 Tedder Manual PDF?** Most PDF editing software allows you to add password protection. In Adobe Acrobat, for instance, you can go to "File" -> "Properties" -> "Security" to set a password to restrict access or editing capabilities. Are there any free alternatives to Adobe Acrobat for working with PDFs? Yes, there are many free alternatives for working with PDFs, such as: LibreOffice: Offers PDF editing features. PDFsam: Allows splitting, merging, and editing PDFs. Foxit Reader: Provides basic PDF viewing and editing capabilities. How do I compress a PDF file? You can use online tools like Smallpdf, ILovePDF, or desktop software like Adobe Acrobat to compress PDF files without significant quality loss. Compression reduces the file size, making it easier to share and download. Can I fill out forms in a PDF file? Yes, most PDF viewers/editors like Adobe Acrobat, Preview (on Mac), or various online tools allow you to fill out forms in PDF files by selecting text fields and entering information. Are there any restrictions when working with PDFs? Some PDFs might have restrictions set by their creator, such as password protection, editing restrictions, or print restrictions. Breaking these restrictions might require specific software or tools, which may or may not be legal depending on the circumstances and local laws.

### **Find Kuhn Grs 24 Tedder Manual :**

*[honda crv service manual 2015](#)*

~~[honda ex1000 used guide](#)~~

~~[honda hrr2162sda cl repair manual](#)~~

~~[honda ex650 generator manual](#)~~

**[honda hrc service manual](#)**

**[honda cs1 repair manual](#)**

**[honda cr v navigation manual](#)**

~~[honda hrx217 owner manual](#)~~

~~[honda hrr2162sda manual](#)~~

~~[honda fourtrax owner workshop manual](#)~~



**honda hiss system manual**

[honda gc 160 repair service manual](#)

[honda grand kopling manual](#)

[honda gx 630 gx660 gx690 technical manual](#)

[honda gx120 pump manual](#)

**Kuhn Grs 24 Tedder Manual :**

**aquapro al75 series quick start manual pdf download** - May 31 2023

web 1 sand filters are designed to work with water at a temperature than 32° f and than 113°f the filter should never be operated outside of these temperatures or damage

**aquapro 19 sand filter system 2 hp pump help center** - Mar 29 2023

web view download of more than 139 aquapro pdf user manuals service manuals operating guides water pump water filtration systems user manuals operating

**aquapro sand filter system owner s manual the pool factory** - Jan 15 2022

**aquapro 15 sand filter system 1 hp aqua pro sand filter set** - Dec 26 2022

web description aquapro systems full line of sand filter pumps systems deliver unparalleled hydraulic performance silent operation and complete accessory offering to make

**aquapro sand filter system owner s manual** - Oct 04 2023

web aquapro sand filter system installation manual author the pool factory subject installation manual for the aquapro sand filter system keywords aquapro aquapro

**aquapro sand filter instructions** - Jun 19 2022

web introduction aqua pro sand filter instructions pdf pdf feed ingredients and fertilizers for farmed aquatic animals albert g j tacon 2009 the main body of the

[aquapro user manuals download manualslib](#) - Feb 25 2023

web the slotted laterals with 360 degree design allows in simply mounting and outstanding performance 15 filters 45 gpm filter performance 16 800 gallons 8 hours 4 position

**sand filters for above ground pools aquapro systems** - Jan 27 2023

web who grooved laterals with 360 degree design authorized for simple installation real outstanding performance 15 filter 45 gpm purify performance 16 800 gallons 8 hours 4

*warning ecoaquapro com - Apr 29 2023*

web the following is support documentation for this product owner s manual and quick setup guide filter owner s manual and quick setup guide pump system schematic and

[aquapro 24 sand filter system 2 hp 2 speed pump](#) - Feb 13 2022

web aquapro sand filter system installation manual author the pool factory subject installation manual for the aquapro sand filter system keywords aquapro aquapro

*aquapro 15in sand filter 1hp single speed pump above* - Jul 21 2022

web slow sand filtration is typically cited as being the first engineered process in drinking water treatment proven modifications to the conventional slow sand filtration process

[aquapro sand filter system installation manual the pool factory](#) - Sep 03 2023

web 1 loading the sand media filter sand media is loaded through the top opening of the filter a loosen the plastic clamps from tank neck b cap internal pipe with plastic cap

*aqua pro sand filter instructions pdf pdf support ortax* - Apr 17 2022

web the following is support documentation for this product installation instructions owner s manual and quick setup guide filter owner s manual and quick setup guide pump

**quick start guide aquapro systems** - Aug 02 2023

web description of sand filtration incoming water from the piping system is automatically directed by the multiport valve to the top of the filter bed as the water is

[aquapro sand filter system installation manual the pool factory](#) - Dec 14 2021

*aqua pro sand filter instructions full pdf* - May 19 2022

web how the sand filter pump works incoming water from the piping system is automatically directed by the multiport valve to the top of the filter bed as the water is pumped

[aquapro sand filter aquapro global](#) - Aug 22 2022

web 1 aquaprosandfilterinstructions advancing environmental education practice mar 19 2022 environmental education can foster behavior change and collective action by

[aquapro 15 sand filter system 1 hp quick start guide](#) - Nov 24 2022

web the sources features and effects of thirteen different types of aquatic pollution fully updated to reflect current understanding and recent developments this third edition of

*ebook aqua pro sand filter instructions* - Sep 22 2022

web an aquapro 15 sand clean 1hp single speed pump combo effectively circulates and filters the water for an beyond ground create apa1063075lbs

**1 877 278 2797 ecoaquapro the pool factory** - Jul 01 2023

web view and download aquapro al75 series quick start manual online sand filtration technology al75 series swimming pool filter pdf manual download

3 4 hp sand filter pump kit al75 aquapro systems - Oct 24 2022

web home aquapro sand filter contact us filtration technology quartz grits anthracite available in different capacities 100 lph to 100 000lph sand filter quartz sand is

*quick start guide aquapro systems* - Mar 17 2022

web 3 if the sand filter is installed below the water level or connected to mains water isolation valves should before the filter and after the valve this will prevent water flow 1 position

**kunst im kindergarten praxisbuch 1 3 schuljahr softcover** - Feb 26 2022

web kunst mit kindern paul klee im kindergarten entdecken als der unterricht losgeht sitzen die kinder auf kleinen stühlen im kreis in der mitte liegen bildbände die die

**praxisbuch kunst im kindergarten kleine kunstler book** - Dec 07 2022

web kunst im kindergarten kleine künstler große wirkung praxisbuch westermann lernspielverlage taschenbuch 132 seiten ean 9783867232098 mehr auf amazon

**kunst im kindergarten von kira wagner kartoniertes buch** - Apr 30 2022

web kleine künstler große wirkung praxisbuch buch kartoniert paperback wagner kira 132 seiten kulturkaufhaus veranstaltungen magazin versandkostenfreie lieferung

praxisbuch kunst im kindergarten kleine kunstler pdf - Feb 09 2023

web praxisbuch kunst im kindergarten kleine kunstler bildungsstrategien im kindergarten jun 06 2020 dieses umfassende und doch kurz gefasste praxisbuch basiert auf einem

**praxisbuch kunst im kindergarten kleine künstler google books** - Jun 13 2023

web kleine künstler große wirkung ob mit pinsel oder spachtel farben oder kleister holz oder murmeln eierkarton oder eiswürfeln dieses praxisbuch enthält originelle ideen

**kunst im kindergarten von kira wagner bücher de** - Oct 05 2022

web kleine künstler große wirkung ob mit pinsel oder spachtel farben oder kleister holz oder murmeln eierkarton oder eiswürfeln dieses praxisbuch enthält originelle ideen

*her Çocuğun kütüphanesinde olması gereken 22 kitap onedio* - Oct 25 2021

web kunst im kindergarten kleine künstler große wirkung praxisbuch kunst im kindergarten kleine künstler große wirkung praxisbuch produktabbildung

*kunst im kindergarten von wagner kira buch buch24 de* - Jun 01 2022

web kleine künstler große wirkung ob mit pinsel oder spachtel farben oder kleister holz oder murmeln eierkarton oder eiswürfeln dieses praxisbuch enthält originelle ideen

**kunst im kindergarten wagner kira das kulturkaufhaus** - Mar 30 2022

web kunst im kindergarten praxisbuch 1 3 schuljahr von wagner kira bei abebooks de isbn 10 3867232091 isbn 13 9783867232098 westermann lernwelten 2010

**praxisbuch kunst im kindergarten kleine kunstler pdf uniport edu** - Mar 10 2023

web praxisbuch kunst im kindergarten kleine kunstler kritzelbuch von ali apr 06 2021 kleine kinder und auch grosse erwachsene lieben es zu zeichnen oder einfach nur zu

das kunstbuch für kinder amazon de bücher - Dec 27 2021

web kunstbücher für kinder empfehlenswerte kinderbücher zum thema kunst hier als Überblick die einzelnen buchbesprechungen gibt s auf meinem kultur und reiseblog

kunst im kindergarten wagner kira ab 10 27 - Sep 04 2022

web bücher bei weltbild jetzt praxisbuch kunst kunst im kindergarten von kira wagner versandkostenfrei online kaufen bei weltbild ihrem bücher spezialisten

**kunst im kindergarten kleine künstler große** - Aug 15 2023

web kleine künstler große wirkung ob mit pinsel oder spachtel farben oder kleister holz oder murmeln eierkarton oder eiswürfeln dieses praxisbuch enthält originelle ideen

**praxisbuch kunst im kindergarten kleine künstler große wirkung** - May 12 2023

web kleine künstler große wirkungob mit pinsel oder spachtel farben oder kleister holz oder murmeln eierkarton oder eiswürfeln dieses praxisbuch enthält originelle ideen

*kunst im kindergarten kleine künstler kita handbuch* - Nov 06 2022

web kleine künstler große wirkung ob mit pinsel oder spachtel farben oder kleister holz oder murmeln eierkarton oder eiswürfeln dieses praxisbuch enthält originelle ideen

**kunstbücher für kinder pinterest** - Nov 25 2021

web apr 14 2020 İşte çocuklarınıza güvenle okuyabileceğiniz onların duygusal gelişimine katkıda bulunacak her evde olması gereken 22 kitap 1 kumkurdu serisi sevgiyi ve

*kunst im kindergarten kleine künstler große wirkung praxisbuch* - Jul 14 2023

web mit wenig aufwand und verschiedenen materialien aus dem kindergartenalltag erproben kleine künstler unterschiedliche techniken schaffen beeindruckende kunstwerke und

*kunst im kindergarten wie es angeleitet sinn macht* - Jan 28 2022

web das kunstbuch für kinder ist der speziell für eine junge leserschaft ab sieben konzipierte ableger des phaidon bestsellers das kunstbuch anhand faszinierender fakten und

**praxisbuch kunst kunst im kindergarten weltbild** - Aug 03 2022

web mit kindern kreativ durchs ganze jahr ein praxisbuch mit ideen für eltern krippe kita und kindergarten stempeln seitenverkehrt drucken collagen kreieren mit kontrasten

kunst im kindergarten kleine künstler große wirkung - Sep 23 2021

kreatives gestalten im kindergarten kunst künstler und - Jul 02 2022

web kunst im kindergarten kleine künstler große wirkung ob mit pinsel oder spachtel farben oder kleister holz oder murmeln eierkarton oder eiswürfeln dieses

praxisbuch kunst kunst im kindergarten kleine künstler - Apr 11 2023

web jul 13 2023 kunst im kindergarten kleine kunstler what you when to read assessment in early childhood settings margaret carr 2001 06 05 this is an invigorating and very

**praxisbuch kunst im kindergarten kleine kunstler book** - Jan 08 2023

web praxisbuch kunst im kindergarten kleine kunstler kritzeltuch von mathilda mar 14 2020 kleine kinder und auch grosse erwachsene lieben es zu zeichnen oder einfach

**new pearson prentice hall literature common core edition** - Dec 07 2022

web this pdf book provide prentice hall british literature answer key conduct to download free prentice hall literature penguin edition the british view pdf selections from

**prentice hall british literature answer key pdf apitest accurascan** - Sep 23 2021

**prentice hall british literature answers teaching resources tpt** - Jun 13 2023

web malory s mort d arthur 2 day lesson plans created by carpe momentum although these lesson plans were designed to be used with the prentice hall british tradition textbook

download prentice hall literature british literature pdf - Nov 06 2022

web prentice hall literature british tradition answer key literature the british tradition prentice hall inc prentice hall literature the british tradition penguin

**prentice hall british literature answer key pdf forms imcost edu** - Mar 10 2023

web prentice hall literature british tradition answer key 1 prentice hall literature british tradition answer key yeah reviewing a books prentice hall literature british

**prentice hall british literature answer key** - Jun 01 2022

web prentice hall literature answer key 2 2 downloaded from stats ijm org on august 26 2023 by guest include instruction and practice of reading and literary analysis skills prentice

**prentice hall british literature answer key pdf qa nuevesolutions** - Jan 08 2023

web reading literature new pearson prentice hall literature common core edition 2012 advancing students delivering results print cd dvd online n meet the challenges of

**prentice hall literature questions and answers kipdf com** - Mar 30 2022

web jan 1 2005 prentice hall literature the british tradition teachers edition kate kinsella kevin feldman colleen shea stump more 3 56 16 ratings 1 review want to

*prentice hall literature british tradition answer key full pdf* - Oct 05 2022

web apr 15 2023 where to download prentice hall literature british tradition answer key pdf for free prentice hall literature the british tradition tradition abebooks prentice

prentice hall literature the british tradition archive org - Oct 25 2021

web 2 prentice hall british literature answer key 2022 01 19 forms the emergingamerican identity and the story of britain keep students engaged as they experience both

**prentice hall literature the british tradition 1st edition quizlet** - Aug 15 2023

web now with expert verified solutions from prentice hall literature the british tradition 1st edition you ll learn how to solve your toughest homework problems our resource for

prentice hall literature pearson education - Dec 27 2021

web these are to be paired with the version of beowulf that appears in prentice hall literature the british tradition isbn 0131317202 this includes text companions for every

*where can you find the prentice hall literature answers answers* - Jul 02 2022

web prentice hall british literature answer key prentice hall literature pearson school prentice hall literature the british tradition answer key prentice hall literature

**textbook answers gradesaver** - May 12 2023

web algebra 1 common core 15th edition charles randall i publisher prentice hall isbn 978 0 13328 114 9

**results for prentice hall the british tradition literature answers** - Nov 25 2021

web prentice hall literature the british tradition publication date 2007 topics english literature study and teaching secondary literature study and teaching

*british literature textbook prentice hall pdf united states* - Jan 28 2022

web prentice hall literature common core edition 2012 is aligned 100 to the common core state standards ccss master key communication skills while strengthening

**prentice hall literature british tradition answer key copy** - Feb 09 2023

web time to download any of our books once this one merely said the prentice hall british literature answer key is universally compatible following any devices to read prentice

*literature all in one workbook answer key california the british* - Aug 03 2022

web oct 22 2022 updated 10 22 2022 fofita lvl 1 11y ago study now see answer 1 best answer copy his father wanted to do some research to see if he was correct

**prentice hall literature the british tradition free download** - Jul 14 2023

web aug 24 2021 prentice hall literature the british tradition publication date 2010 topics english literature study and teaching secondary language arts

prentice hall literature the british tradition teachers edition - Feb 26 2022

web feb 14 2023 free prentice hall british literature answer key pdf prentice hall literature the british tradition penguin prentice hall british literature macbeth

**prentice hall literature answer key 2022 stats ijm** - Apr 30 2022

web prentice hall literature questions and answers free pdf ebook download prentice hall literature questions and answers download or read online ebook

**where to download prentice hall literature british tradition** - Sep 04 2022

web a preview for literature all in one workbook answer key california the british tradition is unavailable

**prentice hall literature reader s notebook answer key** - Apr 11 2023

web within the captivating pages of prentice hall british literature answer key a literary masterpiece penned by a renowned author readers embark on a transformative journey