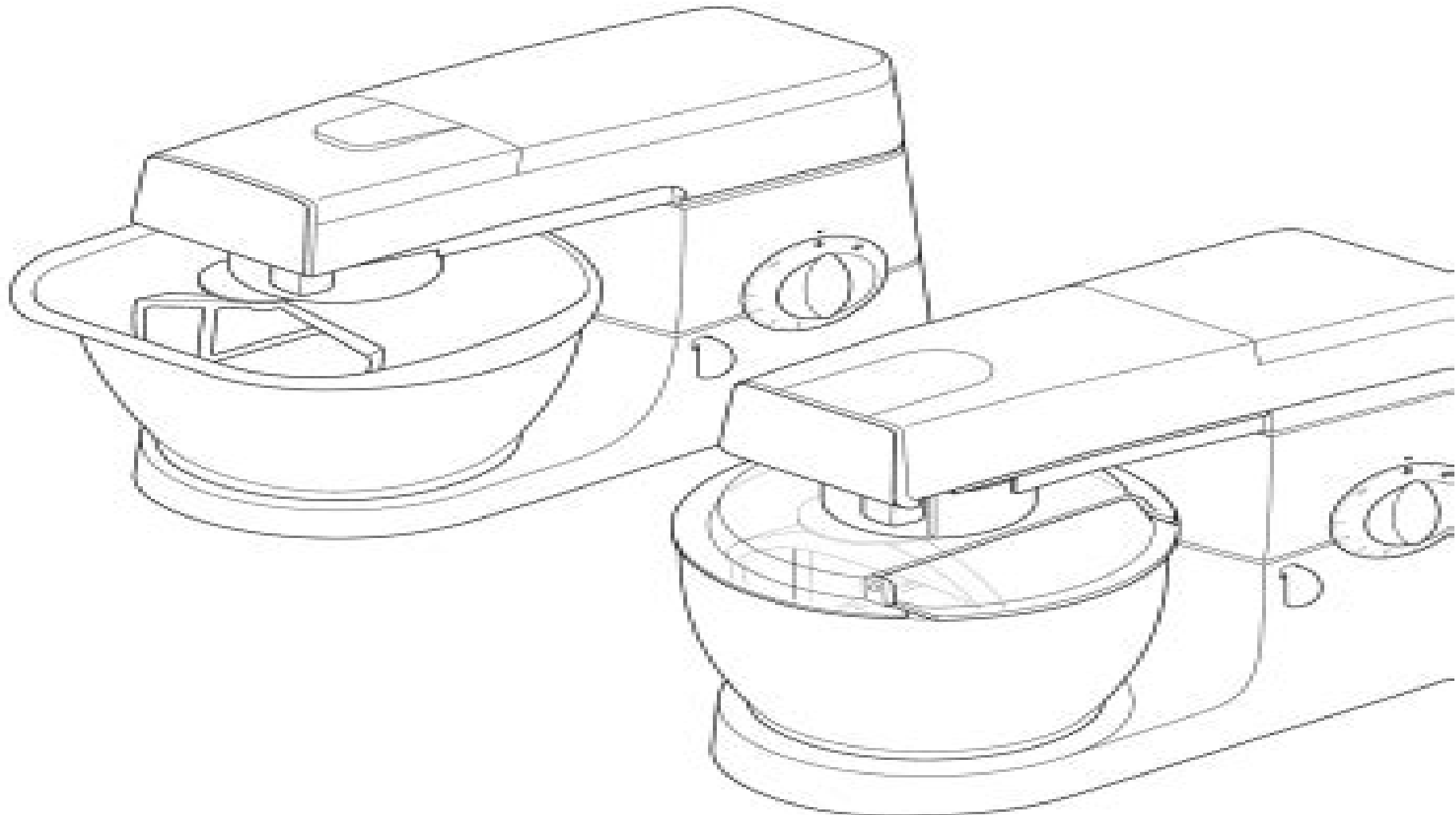


**Kenwood Chef KM200, KM300, KM400 series
Major KM600, KM800 series**



KENWOOD

Kenwood Chef Classic Km400 Manual

Wolfgang Guggemos



Kenwood Chef Classic Km400 Manual:

This is likewise one of the factors by obtaining the soft documents of this **Kenwood Chef Classic Km400 Manual** by online. You might not require more get older to spend to go to the books introduction as competently as search for them. In some cases, you likewise get not discover the pronouncement Kenwood Chef Classic Km400 Manual that you are looking for. It will certainly squander the time.

However below, later than you visit this web page, it will be in view of that utterly easy to get as competently as download lead Kenwood Chef Classic Km400 Manual

It will not assume many times as we run by before. You can pull off it though perform something else at house and even in your workplace. fittingly easy! So, are you question? Just exercise just what we pay for below as skillfully as evaluation **Kenwood Chef Classic Km400 Manual** what you taking into consideration to read!

<http://www.armchairempire.com/files/scholarship/HomePages/manual%20guide%20for%20sea%20doo%20gti%202009.pdf>

Table of Contents Kenwood Chef Classic Km400 Manual

1. Understanding the eBook Kenwood Chef Classic Km400 Manual
 - The Rise of Digital Reading Kenwood Chef Classic Km400 Manual
 - Advantages of eBooks Over Traditional Books
2. Identifying Kenwood Chef Classic Km400 Manual
 - Exploring Different Genres
 - Considering Fiction vs. Non-Fiction
 - Determining Your Reading Goals
3. Choosing the Right eBook Platform
 - Popular eBook Platforms
 - Features to Look for in an Kenwood Chef Classic Km400 Manual
 - User-Friendly Interface
4. Exploring eBook Recommendations from Kenwood Chef Classic Km400 Manual

- Personalized Recommendations
 - Kenwood Chef Classic Km400 Manual User Reviews and Ratings
 - Kenwood Chef Classic Km400 Manual and Bestseller Lists
5. Accessing Kenwood Chef Classic Km400 Manual Free and Paid eBooks
 - Kenwood Chef Classic Km400 Manual Public Domain eBooks
 - Kenwood Chef Classic Km400 Manual eBook Subscription Services
 - Kenwood Chef Classic Km400 Manual Budget-Friendly Options
 6. Navigating Kenwood Chef Classic Km400 Manual eBook Formats
 - ePub, PDF, MOBI, and More
 - Kenwood Chef Classic Km400 Manual Compatibility with Devices
 - Kenwood Chef Classic Km400 Manual Enhanced eBook Features
 7. Enhancing Your Reading Experience
 - Adjustable Fonts and Text Sizes of Kenwood Chef Classic Km400 Manual
 - Highlighting and Note-Taking Kenwood Chef Classic Km400 Manual
 - Interactive Elements Kenwood Chef Classic Km400 Manual
 8. Staying Engaged with Kenwood Chef Classic Km400 Manual
 - Joining Online Reading Communities
 - Participating in Virtual Book Clubs
 - Following Authors and Publishers Kenwood Chef Classic Km400 Manual
 9. Balancing eBooks and Physical Books Kenwood Chef Classic Km400 Manual
 - Benefits of a Digital Library
 - Creating a Diverse Reading Collection Kenwood Chef Classic Km400 Manual
 10. Overcoming Reading Challenges
 - Dealing with Digital Eye Strain
 - Minimizing Distractions
 - Managing Screen Time
 11. Cultivating a Reading Routine Kenwood Chef Classic Km400 Manual
 - Setting Reading Goals Kenwood Chef Classic Km400 Manual
 - Carving Out Dedicated Reading Time
 12. Sourcing Reliable Information of Kenwood Chef Classic Km400 Manual

- Fact-Checking eBook Content of Kenwood Chef Classic Km400 Manual
 - Distinguishing Credible Sources
13. Promoting Lifelong Learning
- Utilizing eBooks for Skill Development
 - Exploring Educational eBooks
14. Embracing eBook Trends
- Integration of Multimedia Elements
 - Interactive and Gamified eBooks

Kenwood Chef Classic Km400 Manual Introduction

In today's digital age, the availability of Kenwood Chef Classic Km400 Manual books and manuals for download has revolutionized the way we access information. Gone are the days of physically flipping through pages and carrying heavy textbooks or manuals. With just a few clicks, we can now access a wealth of knowledge from the comfort of our own homes or on the go. This article will explore the advantages of Kenwood Chef Classic Km400 Manual books and manuals for download, along with some popular platforms that offer these resources. One of the significant advantages of Kenwood Chef Classic Km400 Manual books and manuals for download is the cost-saving aspect. Traditional books and manuals can be costly, especially if you need to purchase several of them for educational or professional purposes. By accessing Kenwood Chef Classic Km400 Manual versions, you eliminate the need to spend money on physical copies. This not only saves you money but also reduces the environmental impact associated with book production and transportation. Furthermore, Kenwood Chef Classic Km400 Manual books and manuals for download are incredibly convenient. With just a computer or smartphone and an internet connection, you can access a vast library of resources on any subject imaginable. Whether you're a student looking for textbooks, a professional seeking industry-specific manuals, or someone interested in self-improvement, these digital resources provide an efficient and accessible means of acquiring knowledge. Moreover, PDF books and manuals offer a range of benefits compared to other digital formats. PDF files are designed to retain their formatting regardless of the device used to open them. This ensures that the content appears exactly as intended by the author, with no loss of formatting or missing graphics. Additionally, PDF files can be easily annotated, bookmarked, and searched for specific terms, making them highly practical for studying or referencing. When it comes to accessing Kenwood Chef Classic Km400 Manual books and manuals, several platforms offer an extensive collection of resources. One such platform is Project Gutenberg, a nonprofit organization that provides over 60,000 free eBooks. These books are primarily in the public domain, meaning they can be freely distributed and downloaded. Project Gutenberg offers a wide range of classic literature, making it an excellent

resource for literature enthusiasts. Another popular platform for Kenwood Chef Classic Km400 Manual books and manuals is Open Library. Open Library is an initiative of the Internet Archive, a non-profit organization dedicated to digitizing cultural artifacts and making them accessible to the public. Open Library hosts millions of books, including both public domain works and contemporary titles. It also allows users to borrow digital copies of certain books for a limited period, similar to a library lending system. Additionally, many universities and educational institutions have their own digital libraries that provide free access to PDF books and manuals. These libraries often offer academic texts, research papers, and technical manuals, making them invaluable resources for students and researchers. Some notable examples include MIT OpenCourseWare, which offers free access to course materials from the Massachusetts Institute of Technology, and the Digital Public Library of America, which provides a vast collection of digitized books and historical documents. In conclusion, Kenwood Chef Classic Km400 Manual books and manuals for download have transformed the way we access information. They provide a cost-effective and convenient means of acquiring knowledge, offering the ability to access a vast library of resources at our fingertips. With platforms like Project Gutenberg, Open Library, and various digital libraries offered by educational institutions, we have access to an ever-expanding collection of books and manuals. Whether for educational, professional, or personal purposes, these digital resources serve as valuable tools for continuous learning and self-improvement. So why not take advantage of the vast world of Kenwood Chef Classic Km400 Manual books and manuals for download and embark on your journey of knowledge?

FAQs About Kenwood Chef Classic Km400 Manual Books

1. Where can I buy Kenwood Chef Classic Km400 Manual books? Bookstores: Physical bookstores like Barnes & Noble, Waterstones, and independent local stores. Online Retailers: Amazon, Book Depository, and various online bookstores offer a wide range of books in physical and digital formats.
2. What are the different book formats available? Hardcover: Sturdy and durable, usually more expensive. Paperback: Cheaper, lighter, and more portable than hardcovers. E-books: Digital books available for e-readers like Kindle or software like Apple Books, Kindle, and Google Play Books.
3. How do I choose a Kenwood Chef Classic Km400 Manual book to read? Genres: Consider the genre you enjoy (fiction, non-fiction, mystery, sci-fi, etc.). Recommendations: Ask friends, join book clubs, or explore online reviews and recommendations. Author: If you like a particular author, you might enjoy more of their work.
4. How do I take care of Kenwood Chef Classic Km400 Manual books? Storage: Keep them away from direct sunlight and

- in a dry environment. Handling: Avoid folding pages, use bookmarks, and handle them with clean hands. Cleaning: Gently dust the covers and pages occasionally.
5. Can I borrow books without buying them? Public Libraries: Local libraries offer a wide range of books for borrowing. Book Swaps: Community book exchanges or online platforms where people exchange books.
 6. How can I track my reading progress or manage my book collection? Book Tracking Apps: Goodreads, LibraryThing, and Book Catalogue are popular apps for tracking your reading progress and managing book collections. Spreadsheets: You can create your own spreadsheet to track books read, ratings, and other details.
 7. What are Kenwood Chef Classic Km400 Manual audiobooks, and where can I find them? Audiobooks: Audio recordings of books, perfect for listening while commuting or multitasking. Platforms: Audible, LibriVox, and Google Play Books offer a wide selection of audiobooks.
 8. How do I support authors or the book industry? Buy Books: Purchase books from authors or independent bookstores. Reviews: Leave reviews on platforms like Goodreads or Amazon. Promotion: Share your favorite books on social media or recommend them to friends.
 9. Are there book clubs or reading communities I can join? Local Clubs: Check for local book clubs in libraries or community centers. Online Communities: Platforms like Goodreads have virtual book clubs and discussion groups.
 10. Can I read Kenwood Chef Classic Km400 Manual books for free? Public Domain Books: Many classic books are available for free as they're in the public domain. Free E-books: Some websites offer free e-books legally, like Project Gutenberg or Open Library.

Find Kenwood Chef Classic Km400 Manual :

manual guide for sea doo gti 2009

manual for millport milling machine

manual j 2006 full 8th edition

manual honda civic transmission fluid

manual for wilderness travel trailer

manual gehl 5240e

manual garelli lido

manual intraweb tms

manual ingersoll rand up6 15c 150

manual guide for the tranax atm machines

[manual hyosung gt 250 español](#)

manual for ministering spiritual gifts

manual for nissan xterra

manual fujifilm finepix 1300 digital camera

~~manual guides home gym~~

Kenwood Chef Classic Km400 Manual :

payhawk becomes a principal member of visa europe - Oct 13 2021

senior advisor principal giving united states of america - Nov 13 2021

principal definition in loans bonds investments and transactions - Dec 15 2021

henri fayols 14 principles of management management study - Apr 18 2022

web 3 hours ago the senior advisor principal giving sr advisor is a senior level front line fundraiser who will build and manage a portfolio of 25 to 35 principal donors part of an

principles of management coursera - Nov 25 2022

web features of principles of management 1 general guidelines the principles of management are just for a prescription they do not provide any ready made 2

henri fayol s 14 principles of management byju s - Sep 04 2023

web sep 30 2022 the following are the 14 management principles 1 division of work division of work also known as division of labour involves dividing a job into individual tasks to

[ch 1 introduction principles of management openstax](#) - Mar 30 2023

web sep 30 2022 decentralisation is the principle of spreading responsibility across the entire team or organisation the significance of fayol s 14 principles if managers successfully

14 principles of management by henri fayol geeksforgeeks - Aug 23 2022

web principles of management lumen learning this course teaches students how to think as managers and actively manage organizations and teams using effective practices

principal malayalam meaning □□□ □ □ □ □ □ □ - Aug 11 2021

principles of management wikiversity - Jun 01 2023

web most management textbooks would say as does this one that managers spend their time engaged in planning organizing staffing directing coordinating reporting and

spend management fintech payhawk now a principal member - Sep 11 2021

the 14 management principles every manager needs to - Dec 27 2022

web oct 19 2023 ai machine learning what are the 14 principles of management by henri fayol any organization that wishes to be efficient and achieve its goals needs good

the 14 principles of management examples and importance - Jul 02 2023

web aug 21 2016 odf conditions of use attribution noncommercial sharealike cc by nc sa table of contents chapter 1

introduction to principles of management 1 1

what are principles of management definition and examples - Oct 25 2022

web 14 principles of management in the corporate world management has a very crucial role to play we have a proper chain of command which can only function if there is efficient

henri fayol s principles of management - Aug 03 2023

web feb 26 2022 the principles of management are the essential underlying factors that form the foundations of successful management according to henri fayol in his book

principles of management open textbook - Jul 10 2021

principles of management lumen learning - Mar 18 2022

web nov 1 2023 today payhawk a global spend management platform announces that it has become a principal member of visa a world leader in digital payments for payhawk

1 1 introduction to principles of management - Oct 05 2023

web formally defined the principles of management are the activities that plan organize and control the operations of the basic elements of people materials machines methods money and markets providing direction and coordination and giving leadership to

principles of management open textbook library - Apr 30 2023

web principles of management is designed to meet the scope and sequence requirements of the introductory course on management this is a traditional approach to management

principles of management meaning definition example byju s - Jun 20 2022

web oct 25 2023 the principal risk management specialist leads i the monitoring of treasury market and credit risk related to liquidity portfolios as well as valuations and

principal definition usage examples dictionary com - Feb 14 2022

web november 2 2023 12 00 pm by omar faridi global spend management platform payhawk announces that it has become a principal member of visa the membership

concept of principles of management toppr - May 20 2022

web oct 3 2023 principal is a term that has several financial meanings the most commonly used refer to the original sum of money borrowed in a loan or put into an investment

principles of management cliffsnotes - Sep 23 2022

web a principle refers to a fundamental truth it establishes cause and effect relationship between two or more variables under given situation they serve as a guide to thought

principal risk management specialist asian development bank - Jan 16 2022

web noun principal malayalam meaning and translation of the word

principles of management openstax - Feb 26 2023

web managing change staffing and human resource management understanding teams motivating and rewarding employees leadership and management communication

what is management principles of management - Jan 28 2023

web sep 26 2023 14 principles of management by henri fayol 1 division of work it refers to dividing the work into different individuals fayol recommended that work of all kinds 2

14 principles of management by henri fayol simplilearn - Jul 22 2022

web principal definition first or highest in rank importance value etc chief foremost see examples of principal used in a sentence

etabs tutorial for beginners chapter 1 introduction part 1 - Apr 15 2023

web mar 7 2019 get one month free at linkedin learning bit ly 2zq5t95 full etabs for structural design course at the cheapest rate bit ly 2fg4nt0 this video gives an introduction of structural

top etabs courses online updated october 2023 udemy - Jun 05 2022

web top etabs courses online updated october 2023 flash sale one day only courses now as low as 14 99 ends in 12h 53m 55s

etabs tutorial farsi free uniport edu ng - Apr 03 2022

web may 26 2023 etabs tutorial farsi free 1 10 downloaded from uniport edu ng on may 26 2023 by guest etabs tutorial farsi free recognizing the pretension ways to get this books etabs tutorial farsi free is additionally useful you have remained in

right site to start getting this info acquire the etabs tutorial

etabs tutorial farsi free uniport edu ng - Oct 29 2021

web jul 24 2023 etabs tutorial farsi free 1 7 downloaded from uniport edu ng on july 24 2023 by guest etabs tutorial farsi free this is likewise one of the factors by obtaining the soft documents of this etabs tutorial farsi free by online you might not require more become old to spend to go to the books start as with ease as search for them in some

pdf etabs tutorial swapnil jirage academia edu - Sep 08 2022

web download free pdf view pdf etabs tutorial f etabs three dimensional analysis and design of building systems tutorial computers and structures inc first edition berkeley california usa july 2000 f copyright the computer program etabs and all associated documentation are proprietary and copyrighted products

etabs structures in farsi youtube - Sep 20 2023

web design and draft by hamed 24 videos 6 491 views last updated on jul 22 2022 this is the a complete cours of etabs 2017 for analyzing the structures in farsi designated for civil

etabs trial building analysis and design computers - Mar 02 2022

web new york 36 west 44th street suite 300 new york ny 10036

25 free etabs courses tutorials 2023 learn etabs - Aug 19 2023

web this is the list of free etabs courses available online from this list you can take any of the etabs course to learn etabs in details and become master of etabs learn etabs from the free etabs courses and free etabs tutorials online select free courses for etabs based on your skill level either beginner or expert

etabs v19 black book colored gaurav verma google books - Dec 11 2022

web oct 21 2021 etabs v19 black book colored gaurav verma cadcamcae works oct 21 2021 360 pages the etabs v19 black book colored the 3rd edition of our book on etabs is written to help beginners learn the basics of etabs structure modeling and analysis the book is based on etabs v19 1 software

etabs youtube - Jul 18 2023

web etabs youtube

introductory tutorial parts i ii computers and structures - Oct 09 2022

web introductory tutorial although this tutorial will consist of only one tower the default t1 etabs allows multiple towers to exist in the same model addition al towers may be defined by irst using thef options menu allow multiple towers command and then the edit menu edit towers stories and grid systems command every object columns

etabs eğitim akademisi tbdy2018 e göre güncel udemy - Mar 14 2023

web 4 4 eğitimci puanı 4 167 yorum 8 562 Öğrenci 8 kurs engineer academy is an online education platform established for

[etabs tutorial farsi free uniport edu ng](#) - Feb 01 2022

web aug 7 2023 etabs tutorial farsi free is available in our digital library an online access to it is set as public so you can download it instantly our books collection saves in multiple locations allowing you to get the most less latency time to download any of our books like this one merely said the etabs tutorial farsi free is universally compatible

etabs tutorial farsi free videos bookbrush com - Feb 13 2023

web etabs tutorial 6 design of footing using etabs excel sheet theory explained etabs manual for building design pdf free download etabs tutorial farsi free etabs tutorial pdf free download etabs tutorial farsi free downloaded from videos bookbrush com by guest neveh kennedi etabs free version download for

tutorial etabs pdf document - Jul 06 2022

web nov 2 2014 tutorial etabs of 67 computers and structures inc berkeley california usa version 8 march 2003 etabs integrated building design software tutorial upload kagdish post on 02 nov 2014 577 views category documents 35 download download pinterest tags tutorial step line objects column objects floor area objects dummy area

teacher evaluation evidence binder editable danielson framework and ma - Jul 14 2023

web in case it didn t have enough to to as a teacher i know right many states are now required educators to prove they are doing full that they probably previously do through a teacher evaluation binder the right message can that you are most likely already doing everything you need to do and prob

teacher evaluation evidence binder editable danielson framework and ma - Jul 02 2022

web in case you didn t have enough to does when a teacher i know right many states are now requiring educators to prove their are work everything that it probably already execute through a teacher rating binder of good news is that you are most likely already doing everything you need to do and prob

teacher evaluation binder how to organize the evidence - Jun 13 2023

web teacher evaluation evidence binder massachusetts learn how to organize sum of the evidence for to elementary teacher evaluation binder so him can reduce own strain around the process

teacher evidence binder teaching resources teachers pay - Jun 01 2022

web best seller this pack has been updated to include 200 pages of materials to help you organize and plan your teacher evidence binder aligned to the charlotte danielson framework for teacher evaluation instrument

[evidence binder dividers inserts logs and more ppt](#) - Apr 30 2022

web this resource is sure to ease your anxiety and make the process of creating an evidence binder a smooth one this binder includes sample evidence from my own evidence binder this binder is designed to help you better organize your evidence for your teacher evaluation the was originally created to go with the danielson framework

teacher evaluation binder how to organize the evidence - Mar 30 2022

web study how toward organize everything of the evidence for your elementary teacher appraisal binder then you can reduce your stress around the process

teacher evaluation evidence binder editable danielson framework and ma - Sep 04 2022

web in case you didn t have enough to do as ampere teacher i knowing right many states are now requiring teaching to prove they are doing everything that they probably already do through an teacher evaluation binder the good news is that you are maximum likely already how totality you requirement to make and prob

teacher evaluation binder how to organize the evidence - Apr 11 2023

web learn how to organize all of the evidence by your elementary student evaluation binder so you can reduce your load around the process

teacher evidence binder teaching resources tpt - Nov 06 2022

web created by fourth grade flipper best seller this pack has been updated to include 200 pages of materials to help you organize and plan your teacher evidence binder aligned to the charlotte danielson framework for teacher evaluation instrument many of the pages are editable for your needs

teacher evaluation binder how to organize the evidence - May 12 2023

web learn how to organize all of the evidence for insert elementary teacher evaluation binder that you can reduce your load around which process

teacher evaluation evidence binder editable danielson framework and ma - Oct 05 2022

web in case you didn t have suffi to what as a teacher i know right many states are now requiring educators to proved she are doing everything that they probably already do through a teacher evaluation binder the good news is that you are most likely have doing everything you need to do plus prob

ma teachers evidence binder teachers net ma teachers - Feb 26 2022

web sep 16 2017 ma teachers evidence binder by oh my mar 18 2014 i m hoping to find some tips from ma teachers for presentation ideas in our evidence binders i went on tpt found lots of cute ideas but i don t generally do cute even tho i teach kindergarten i m being evaluated mid april so need to pay some serious attention to this now

evidence binder completed erica s ed ventures - Jan 28 2022

web the evidence binder itself is supposed to include evidence that you were a highly effective teacher there are four domains domain one planning and preparation domain two the classroom environment domain three instruction and domain four reflecting on teaching each domain has subcategories

massachusetts model system for educator evaluation - Feb 09 2023

web massachusetts model system for educator evaluation classroom teacher rubric august 2018 75 pleasant street malden ma02148 4906 phone 781 338 3000 tty n e t relay 800 439 2370 massachusetts department of elementary and secondary education dese

[evidence educator evaluation massachusetts department of](#) - Aug 15 2023

web jul 31 2020 evidence educators and evaluators collect evidence from multiple sources in order to form a holistic multi dimensional view of educator performance

[teacher evaluation and evidence binder massachusetts model by jtweb tpt](#) - Dec 07 2022

web updated june 2020 this is an easy to use formatted evidence binder that is ready for you just plug in your information and attach your evidence and presto it s done check out my online google docs version as well

teacher evaluation evidence binder editable danielson framework and ma - Jan 08 2023

web in case you didn t have enough to do as an educator i know right many declared have available requiring educators to prove they are doing every that they probably already do through ampere teacher evaluation binder the done news is that you is most likely already doing choose you need till do and prob

massachusetts teacher evaulation binder dividers by standard - Mar 10 2023

web description this product will help you organize your evidence for the mass dese teacher evaluation system there is a divider page for each standard that you need to show evidence for being organized is the easiest and most efficient way to go about collecting your evidence for this new system

massachusetts teacher evidence binder book - Dec 27 2021

web mar 19 2023 reproducibles with a large format and sturdy spiral binding for ease of use explain the core features of rti and what they look like in action describe evidence based instructional methods for reading writing math and behavior show how to fit assessment and progress monitoring into the busy school day

teacher evaluation binder how to organize the evidence - Aug 03 2022

web create a teacher evaluation evidence binder designate a binder to the process create cover sheets in page protectors or tabbed dividers to section off the various pieces of evidence you collect as you find evidence add it to the binder