

Section 3 Dimensions



OVERALL DIMENSIONS

This section includes drawings and charts of the following Class 8 models: T800, T800 with Split Fenders, T800 Short Hood, T800 Short Hood with FEPTO, T800 Wide Hood, W900S, and W900B. The Extended Day Cab and 38" AeroCab are also included.

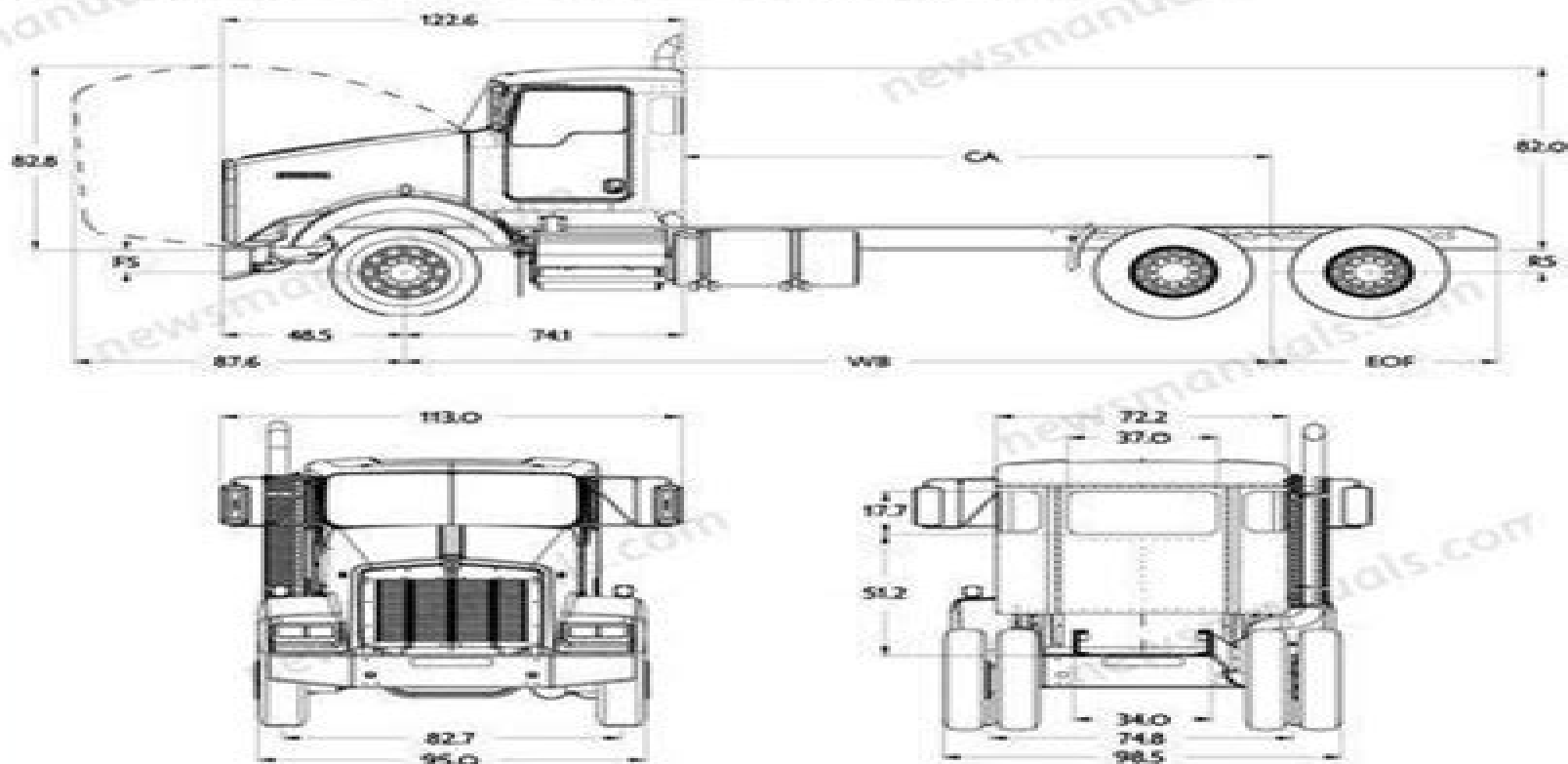
On the pages that follow, detail drawings show particular views of each vehicle, all dimensions are in inches (in). They illustrate important measurements critical to designing bodies of all types. See the "Contents" at the beginning of the manual to locate the drawing that you need.

Note: To determine overall height please locate the chart Table 3-3 on page 3-13 and add that value to the height. All heights are given from the bottom of the frame rail.

Kenworth also offers .dxf files and frame layouts of ordered chassis four weeks prior to build. Please speak with your salesman to request this feature when specifying your chassis.

T800

The following drawings are of a standard T800, shown with standard chassis components.



Kenworth T800 Parts Manual

DP Hallahan



Kenworth T800 Parts Manual:

Uncover the mysteries within Explore with is enigmatic creation, Embark on a Mystery with **Kenworth T800 Parts Manual** . This downloadable ebook, shrouded in suspense, is available in a PDF format (Download in PDF: *). Dive into a world of uncertainty and anticipation. Download now to unravel the secrets hidden within the pages.

http://www.armchairempire.com/files/detail/Documents/john_deere_5300_tractor_service_manual.pdf

Table of Contents Kenworth T800 Parts Manual

1. Understanding the eBook Kenworth T800 Parts Manual
 - The Rise of Digital Reading Kenworth T800 Parts Manual
 - Advantages of eBooks Over Traditional Books
2. Identifying Kenworth T800 Parts Manual
 - Exploring Different Genres
 - Considering Fiction vs. Non-Fiction
 - Determining Your Reading Goals
3. Choosing the Right eBook Platform
 - Popular eBook Platforms
 - Features to Look for in an Kenworth T800 Parts Manual
 - User-Friendly Interface
4. Exploring eBook Recommendations from Kenworth T800 Parts Manual
 - Personalized Recommendations
 - Kenworth T800 Parts Manual User Reviews and Ratings
 - Kenworth T800 Parts Manual and Bestseller Lists
5. Accessing Kenworth T800 Parts Manual Free and Paid eBooks
 - Kenworth T800 Parts Manual Public Domain eBooks
 - Kenworth T800 Parts Manual eBook Subscription Services
 - Kenworth T800 Parts Manual Budget-Friendly Options
6. Navigating Kenworth T800 Parts Manual eBook Formats

- ePub, PDF, MOBI, and More
 - Kenworth T800 Parts Manual Compatibility with Devices
 - Kenworth T800 Parts Manual Enhanced eBook Features
7. Enhancing Your Reading Experience
 - Adjustable Fonts and Text Sizes of Kenworth T800 Parts Manual
 - Highlighting and Note-Taking Kenworth T800 Parts Manual
 - Interactive Elements Kenworth T800 Parts Manual
 8. Staying Engaged with Kenworth T800 Parts Manual
 - Joining Online Reading Communities
 - Participating in Virtual Book Clubs
 - Following Authors and Publishers Kenworth T800 Parts Manual
 9. Balancing eBooks and Physical Books Kenworth T800 Parts Manual
 - Benefits of a Digital Library
 - Creating a Diverse Reading Collection Kenworth T800 Parts Manual
 10. Overcoming Reading Challenges
 - Dealing with Digital Eye Strain
 - Minimizing Distractions
 - Managing Screen Time
 11. Cultivating a Reading Routine Kenworth T800 Parts Manual
 - Setting Reading Goals Kenworth T800 Parts Manual
 - Carving Out Dedicated Reading Time
 12. Sourcing Reliable Information of Kenworth T800 Parts Manual
 - Fact-Checking eBook Content of Kenworth T800 Parts Manual
 - Distinguishing Credible Sources
 13. Promoting Lifelong Learning
 - Utilizing eBooks for Skill Development
 - Exploring Educational eBooks
 14. Embracing eBook Trends
 - Integration of Multimedia Elements
 - Interactive and Gamified eBooks

Kenworth T800 Parts Manual Introduction

In this digital age, the convenience of accessing information at our fingertips has become a necessity. Whether its research papers, eBooks, or user manuals, PDF files have become the preferred format for sharing and reading documents. However, the cost associated with purchasing PDF files can sometimes be a barrier for many individuals and organizations. Thankfully, there are numerous websites and platforms that allow users to download free PDF files legally. In this article, we will explore some of the best platforms to download free PDFs. One of the most popular platforms to download free PDF files is Project Gutenberg. This online library offers over 60,000 free eBooks that are in the public domain. From classic literature to historical documents, Project Gutenberg provides a wide range of PDF files that can be downloaded and enjoyed on various devices. The website is user-friendly and allows users to search for specific titles or browse through different categories. Another reliable platform for downloading Kenworth T800 Parts Manual free PDF files is Open Library. With its vast collection of over 1 million eBooks, Open Library has something for every reader. The website offers a seamless experience by providing options to borrow or download PDF files. Users simply need to create a free account to access this treasure trove of knowledge. Open Library also allows users to contribute by uploading and sharing their own PDF files, making it a collaborative platform for book enthusiasts. For those interested in academic resources, there are websites dedicated to providing free PDFs of research papers and scientific articles. One such website is Academia.edu, which allows researchers and scholars to share their work with a global audience. Users can download PDF files of research papers, theses, and dissertations covering a wide range of subjects. Academia.edu also provides a platform for discussions and networking within the academic community. When it comes to downloading Kenworth T800 Parts Manual free PDF files of magazines, brochures, and catalogs, Issuu is a popular choice. This digital publishing platform hosts a vast collection of publications from around the world. Users can search for specific titles or explore various categories and genres. Issuu offers a seamless reading experience with its user-friendly interface and allows users to download PDF files for offline reading. Apart from dedicated platforms, search engines also play a crucial role in finding free PDF files. Google, for instance, has an advanced search feature that allows users to filter results by file type. By specifying the file type as "PDF," users can find websites that offer free PDF downloads on a specific topic. While downloading Kenworth T800 Parts Manual free PDF files is convenient, its important to note that copyright laws must be respected. Always ensure that the PDF files you download are legally available for free. Many authors and publishers voluntarily provide free PDF versions of their work, but its essential to be cautious and verify the authenticity of the source before downloading Kenworth T800 Parts Manual. In conclusion, the internet offers numerous platforms and websites that allow users to download free PDF files legally. Whether its classic literature, research papers, or magazines, there is something for everyone. The platforms mentioned in this article, such as Project Gutenberg, Open Library, Academia.edu, and Issuu, provide access to a vast collection of PDF files. However, users

should always be cautious and verify the legality of the source before downloading Kenworth T800 Parts Manual any PDF files. With these platforms, the world of PDF downloads is just a click away.

FAQs About Kenworth T800 Parts Manual Books

What is a Kenworth T800 Parts Manual PDF? A PDF (Portable Document Format) is a file format developed by Adobe that preserves the layout and formatting of a document, regardless of the software, hardware, or operating system used to view or print it. **How do I create a Kenworth T800 Parts Manual PDF?** There are several ways to create a PDF: Use software like Adobe Acrobat, Microsoft Word, or Google Docs, which often have built-in PDF creation tools. **Print to PDF:** Many applications and operating systems have a "Print to PDF" option that allows you to save a document as a PDF file instead of printing it on paper. **Online converters:** There are various online tools that can convert different file types to PDF. **How do I edit a Kenworth T800 Parts Manual PDF?** Editing a PDF can be done with software like Adobe Acrobat, which allows direct editing of text, images, and other elements within the PDF. Some free tools, like PDFescape or Smallpdf, also offer basic editing capabilities. **How do I convert a Kenworth T800 Parts Manual PDF to another file format?** There are multiple ways to convert a PDF to another format: Use online converters like Smallpdf, Zamzar, or Adobe Acrobat's export feature to convert PDFs to formats like Word, Excel, JPEG, etc. Software like Adobe Acrobat, Microsoft Word, or other PDF editors may have options to export or save PDFs in different formats. **How do I password-protect a Kenworth T800 Parts Manual PDF?** Most PDF editing software allows you to add password protection. In Adobe Acrobat, for instance, you can go to "File" -> "Properties" -> "Security" to set a password to restrict access or editing capabilities. **Are there any free alternatives to Adobe Acrobat for working with PDFs?** Yes, there are many free alternatives for working with PDFs, such as: **LibreOffice:** Offers PDF editing features. **PDFsam:** Allows splitting, merging, and editing PDFs. **Foxit Reader:** Provides basic PDF viewing and editing capabilities. **How do I compress a PDF file?** You can use online tools like Smallpdf, ILovePDF, or desktop software like Adobe Acrobat to compress PDF files without significant quality loss. Compression reduces the file size, making it easier to share and download. **Can I fill out forms in a PDF file?** Yes, most PDF viewers/editors like Adobe Acrobat, Preview (on Mac), or various online tools allow you to fill out forms in PDF files by selecting text fields and entering information. **Are there any restrictions when working with PDFs?** Some PDFs might have restrictions set by their creator, such as password protection, editing restrictions, or print restrictions. Breaking these restrictions might require specific software or tools, which may or may not be legal depending on the circumstances and local laws.

Find Kenworth T800 Parts Manual :

[john deere 5300 tractor service manual](#)

[john deere 3720 operators manual](#)

[john deere 6810 workshop manual](#)

[john deere 310g 2006 service manual](#)

[john deere 9350 grain drill manual](#)

[john deere 900 series heads manual](#)

[john deere 700 4000s winch manual](#)

[john deere 336 baler service manual](#)

[john deere 640 hay rake manual](#)

[john deere 122 125 & 140 high pressure washers oem service manual](#)

[john deere 430 garden tractor parts manual](#)

[john deere 4100 mower deck manual](#)

[john deere 332d repair manual](#)

john deere 6x4 diesel technical manual

john deere 342 presser manual

Kenworth T800 Parts Manual :

Present Shock “This is a wondrously thought-provoking book. Unlike other social theorists who either mindlessly decry or celebrate the digital age, Rushkoff explores how it ... Present Shock: When Everything Happens Now ... “Present Shock holds up new lenses and offers new narratives about what might be happening to us and why, compelling readers to look at the larger repercussions ... Present Shock: When Everything Happens Now The book introduces the concept of present shock, a state of anxiety in which people all live with as they try to keep up with the ever-increasing speed and ... 'Present Shock' by Douglas Rushkoff Mar 13, 2013 — The book contends that young girls and Botoxed TV “housewives” all want to look 19; that hipsters in their 40s cultivate the affectations of 20- ... Present Shock: When Everything Happens Now The framework for Rushkoff’s Present Shock is the re-cognition of the collapse of the narrative world and the emergence of the digital now, or present time to ... Present Shock: When Everything Happens Now Mar 21, 2013 — His book, Present Shock, is a must-read rejoinder to Alvin Toffler’s pioneering 1970 bestseller Future Shock. Toffler exhorted his readers to ... Present Shock by Douglas Rushkoff: 9781617230103 “A wide-ranging social and cultural critique, Present Shock artfully weaves through many

different materials as it makes its point: we are exhilarated, drugged, ... Present Shock: When Everything Happens Now He examines what it means to be human in an always-connected reality-how modern events and trends have affected our biology, behavior, politics, and culture. Interview: Douglas Rushkoff, Author Of 'Present Shock Mar 25, 2013 — "Most simply, 'present shock' is the human response to living in a world that's always on real time and simultaneous. You know, in some ... OCR A level Biology A H420/02 Biological diversity June 2017 A Level Biology H420/02 2020 Oct 16, 2020 — 17 Tannase is an enzyme produced by some microorganisms. Tannase is useful in many industrial applications including food production. The ... H420/03 Unified biology Sample Question Paper 2 This question is about the impact of potentially harmful chemicals and microorganisms. (a) (i). Salts that a plant needs, such as nitrates and phosphates, are ... Summary Notes - Topic 6.3 OCR (A) Biology A-Level The process occurs as following: • Nitrogen is first fixed by bacteria such as Rhizobium which live in the root nodules of leguminous plants such as pea plants. A level biology- enzymes A level biology- enzymes ... Explain how the following food preservation works: 1) Placing peas in boiling water for 1 minute then freezing them at -18 degrees. 2 ... ocr-a-level-biology-a-sb2-answers.pdf (e) Illuminated chloroplast produces oxygen; in light-dependent stage of photosynthesis; from photolysis of water; bacteria cluster where there is most oxygen; ... ocr a level biology nitrogen cycle Flashcards rhizobium as a nitrogen fixing bacteria. found in root nodules of leguminous plants such as peas and beans. nitrification definition. the process of converting ... The Nitrogen Cycle A2 OCR Biology Asking questions is a ... The Nitrogen Cycle A2 OCR Biology Asking questions is a sign of INTELLIGENCE ... bacteria) nitrogen fixing plant eg pea, clover bacteria. Nitrogen in the air ... 5.4.1 Plant Responses - 5.4.1 OCR bio notes Abscisic acid Inhibit seed germination and growth of stems. Ethene Promotes fruit ripening. The cell wall around a plant cell limits the cell's ability to divide ... Designing with Creo Parametric 7.0 by Rider, Michael J. Designing with Creo Parametric 7.0 provides the high school student, college student, or practicing engineer with a basic introduction to engineering design ... Designing with Creo Parametric 2.0 - Michael Rider: Books It is an introductory level textbook intended for new AutoCAD 2019 users. This book covers all the fundamental skills necessary for effectively using AutoCAD ... Designing with Creo Parametric 5.0 - 1st Edition Designing with Creo Parametric 5.0 provides the high school student, college student, or practicing engineer with a basic introduction to engineering design ... Designing with Creo Parametric 8.0 - Michael Rider Designing with Creo Parametric 8.0 provides the high school student, college student, or practicing engineer with a basic introduction to engineering design ... Designing with Creo Parametric 3.0 - Rider, Michael Designing with Creo Parametric 3.0 provides the high school student, college student, or practicing engineer with a basic introduction to engineering design ... Designing with Creo Parametric 9.0 8th edition Jul 15, 2020 — Designing with Creo Parametric 9.0 8th Edition is written by Michael Rider and published by SDC Publications, Inc.. Designing with Creo Parametric 2.0 by Michael Rider A book that has been read but is in good condition. Very minimal damage to the cover including scuff marks, but no holes or tears. Designing with Creo Parametric 6.0 Michael J Rider PHD The topics are

presented in tutorial format with exercises at the end of each chapter to reinforce the concepts covered. It is richly illustrated with ... Designing with Creo Parametric 7.0 6th edition Designing with Creo Parametric 7.0 6th Edition is written by Rider, Michael and published by SDC Publications, Inc.. The Digital and eTextbook ISBNs for ...