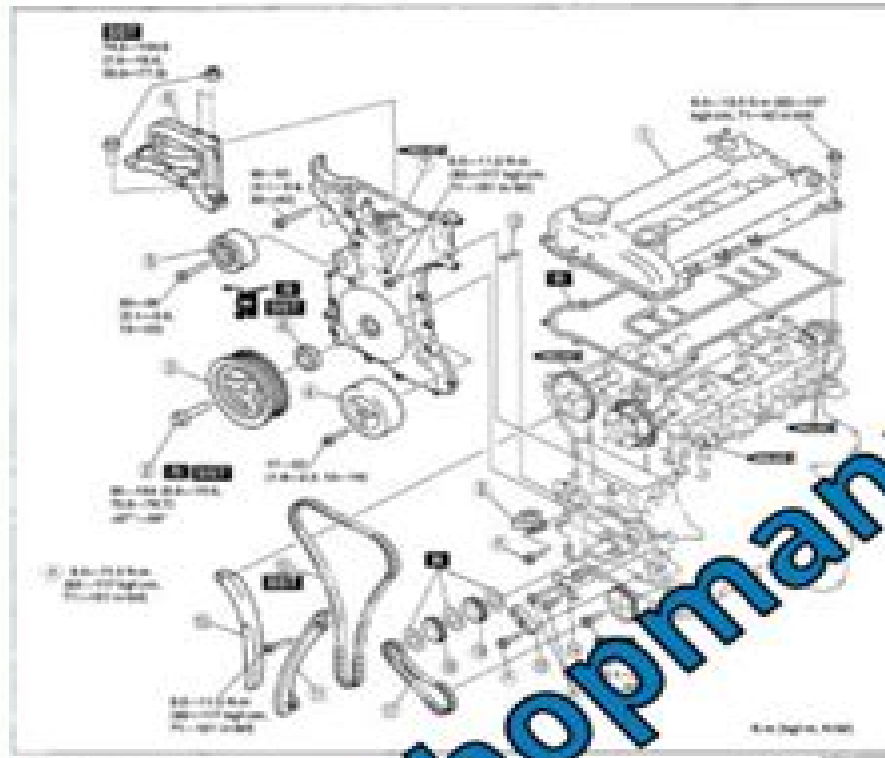


# Mazda 3 2004-2009 Workshop Manual



1	Cylinder head cover (Mazda) 108-12 Cylinder Head Cover Removal Note.) (Mazda) 108-18 Cylinder Head Cover Installation Note.)	10	Oil pump drive sprocket (Mazda) 108-16 Oil Pump Drive Sprocket Removal Note.) (Mazda) 108-18 Oil Pump Drive Sprocket Installation Note.)
2	Camshaft pulley bolt (Mazda) 108-12 Camshaft Pulley Bolt Removal Note.) (Mazda) 108-18 Camshaft Pulley Bolt Installation Note.)	11	Oil pump chain guide
3	Camshaft pulley (Mazda) 108-12 Camshaft Pulley Removal Note.) (Mazda) 108-18 Camshaft Pulley Installation Note.)	12	Oil pump chain sprocket (Mazda) 108-16 Oil Pump Chain Sprocket Removal Note.) (Mazda) 108-18 Oil Pump Chain Sprocket Installation Note.)
4	Camshaft pulley nut (Mazda) 108-12 Camshaft Pulley Nut Removal Note.) (Mazda) 108-18 Camshaft Pulley Nut Installation Note.)	13	Timing chain (Mazda) 108-18 Timing Chain Installation Note.)
5	Camshaft pulley lock pin (Mazda) 108-12 Camshaft Pulley Lock Pin Removal Note.) (Mazda) 108-18 Camshaft Pulley Lock Pin Installation Note.)	14	Timing chain guide
6	Camshaft pulley lock pin (Mazda) 108-12 Camshaft Pulley Lock Pin Removal Note.) (Mazda) 108-18 Camshaft Pulley Lock Pin Installation Note.)	15	Oil pump chain sprocket (Mazda) 108-16 Oil Pump Chain Sprocket Removal Note.) (Mazda) 108-18 Oil Pump Chain Sprocket Installation Note.)
7	Camshaft pulley lock pin (Mazda) 108-12 Camshaft Pulley Lock Pin Removal Note.) (Mazda) 108-18 Camshaft Pulley Lock Pin Installation Note.)	16	Oil pump chain sprocket (Mazda) 108-16 Oil Pump Chain Sprocket Removal Note.) (Mazda) 108-18 Oil Pump Chain Sprocket Installation Note.)
8	Camshaft pulley lock pin (Mazda) 108-12 Camshaft Pulley Lock Pin Removal Note.) (Mazda) 108-18 Camshaft Pulley Lock Pin Installation Note.)	17	Oil pump chain sprocket (Mazda) 108-16 Oil Pump Chain Sprocket Removal Note.) (Mazda) 108-18 Oil Pump Chain Sprocket Installation Note.)
9	Oil pump chain sprocket (Mazda) 108-16 Oil Pump Chain Sprocket Removal Note.) (Mazda) 108-18 Oil Pump Chain Sprocket Installation Note.)	18	Oil pump chain sprocket (Mazda) 108-16 Oil Pump Chain Sprocket Removal Note.) (Mazda) 108-18 Oil Pump Chain Sprocket Installation Note.)

26. Install the exhaust camshaft sprocket.

#### Caution

- Do not tighten the camshaft sprocket installation bolt at this stage. Verify the valve timing before performing the bolt tightening.

26. Install the SST on the camshaft pulley bolt.  
 26. Remove the installation bolt from the cover upper blind plug. (Mazda) 108-18 Cover Upper Blind Plug Removal Note.)  
 27. Rotate the crankshaft clockwise two turns and verify that the top of the TDC of the compression stroke of the cylinder weight contacts the SST.

27. Tighten the exhaust camshaft using a wrench on the installation bolt. (Mazda) 108-18 Exhaust Camshaft Tightening Note.)

#### Tightening torque

88–75 N·m (7.3–7.8 kgf·m, 65–63 ft·lb)

28. Remove the SST from the camshaft.

29. Remove the SST installed in the cylinder block cover blind plug hole.

30. Rotate the crankshaft clockwise two turns and repeat the valve timing.

- If it is not aligned, repeat the procedure.

31. Apply the silicone sealant and install the engine front cover upper blind plug.

#### Tightening torque

8.0–11.5 N·m (0.80–1.17 kgf·m, 71–101 in·lb)

37. Install the cylinder block lower blind plug.

#### Tightening torque

18–22 N·m (1.8–2.2 kgf·m, 14–16 ft·lb)

PDF  
 DOWNLOAD

# Mazda3 Clutch Workshop Manual

**Mike Stubblefield, John Harold Haynes**

A red circular graphic with a gradient, appearing as a partial circle on the right side of the page, overlapping the grey bar.

## **Mazda3 Clutch Workshop Manual:**

Fuel your quest for knowledge with Learn from is thought-provoking masterpiece, **Mazda3 Clutch Workshop Manual** . This educational ebook, conveniently sized in PDF ( Download in PDF: \*), is a gateway to personal growth and intellectual stimulation. Immerse yourself in the enriching content curated to cater to every eager mind. Download now and embark on a learning journey that promises to expand your horizons. .

[http://www.armchairempire.com/files/scholarship/Download\\_PDFS/gods%20word%20for%20your%20healing%20scriptures%20confessions%20devotions%20to%20help%20you%20recover.pdf](http://www.armchairempire.com/files/scholarship/Download_PDFS/gods%20word%20for%20your%20healing%20scriptures%20confessions%20devotions%20to%20help%20you%20recover.pdf)

## **Table of Contents Mazda3 Clutch Workshop Manual**

1. Understanding the eBook Mazda3 Clutch Workshop Manual
  - The Rise of Digital Reading Mazda3 Clutch Workshop Manual
  - Advantages of eBooks Over Traditional Books
2. Identifying Mazda3 Clutch Workshop Manual
  - Exploring Different Genres
  - Considering Fiction vs. Non-Fiction
  - Determining Your Reading Goals
3. Choosing the Right eBook Platform
  - Popular eBook Platforms
  - Features to Look for in an Mazda3 Clutch Workshop Manual
  - User-Friendly Interface
4. Exploring eBook Recommendations from Mazda3 Clutch Workshop Manual
  - Personalized Recommendations
  - Mazda3 Clutch Workshop Manual User Reviews and Ratings
  - Mazda3 Clutch Workshop Manual and Bestseller Lists
5. Accessing Mazda3 Clutch Workshop Manual Free and Paid eBooks
  - Mazda3 Clutch Workshop Manual Public Domain eBooks
  - Mazda3 Clutch Workshop Manual eBook Subscription Services

- Mazda3 Clutch Workshop Manual Budget-Friendly Options
- 6. Navigating Mazda3 Clutch Workshop Manual eBook Formats
  - ePub, PDF, MOBI, and More
  - Mazda3 Clutch Workshop Manual Compatibility with Devices
  - Mazda3 Clutch Workshop Manual Enhanced eBook Features
- 7. Enhancing Your Reading Experience
  - Adjustable Fonts and Text Sizes of Mazda3 Clutch Workshop Manual
  - Highlighting and Note-Taking Mazda3 Clutch Workshop Manual
  - Interactive Elements Mazda3 Clutch Workshop Manual
- 8. Staying Engaged with Mazda3 Clutch Workshop Manual
  - Joining Online Reading Communities
  - Participating in Virtual Book Clubs
  - Following Authors and Publishers Mazda3 Clutch Workshop Manual
- 9. Balancing eBooks and Physical Books Mazda3 Clutch Workshop Manual
  - Benefits of a Digital Library
  - Creating a Diverse Reading Collection Mazda3 Clutch Workshop Manual
- 10. Overcoming Reading Challenges
  - Dealing with Digital Eye Strain
  - Minimizing Distractions
  - Managing Screen Time
- 11. Cultivating a Reading Routine Mazda3 Clutch Workshop Manual
  - Setting Reading Goals Mazda3 Clutch Workshop Manual
  - Carving Out Dedicated Reading Time
- 12. Sourcing Reliable Information of Mazda3 Clutch Workshop Manual
  - Fact-Checking eBook Content of Mazda3 Clutch Workshop Manual
  - Distinguishing Credible Sources
- 13. Promoting Lifelong Learning
  - Utilizing eBooks for Skill Development
  - Exploring Educational eBooks
- 14. Embracing eBook Trends

- Integration of Multimedia Elements
- Interactive and Gamified eBooks

### **Mazda3 Clutch Workshop Manual Introduction**

In today's digital age, the availability of Mazda3 Clutch Workshop Manual books and manuals for download has revolutionized the way we access information. Gone are the days of physically flipping through pages and carrying heavy textbooks or manuals. With just a few clicks, we can now access a wealth of knowledge from the comfort of our own homes or on the go. This article will explore the advantages of Mazda3 Clutch Workshop Manual books and manuals for download, along with some popular platforms that offer these resources. One of the significant advantages of Mazda3 Clutch Workshop Manual books and manuals for download is the cost-saving aspect. Traditional books and manuals can be costly, especially if you need to purchase several of them for educational or professional purposes. By accessing Mazda3 Clutch Workshop Manual versions, you eliminate the need to spend money on physical copies. This not only saves you money but also reduces the environmental impact associated with book production and transportation. Furthermore, Mazda3 Clutch Workshop Manual books and manuals for download are incredibly convenient. With just a computer or smartphone and an internet connection, you can access a vast library of resources on any subject imaginable. Whether you're a student looking for textbooks, a professional seeking industry-specific manuals, or someone interested in self-improvement, these digital resources provide an efficient and accessible means of acquiring knowledge. Moreover, PDF books and manuals offer a range of benefits compared to other digital formats. PDF files are designed to retain their formatting regardless of the device used to open them. This ensures that the content appears exactly as intended by the author, with no loss of formatting or missing graphics. Additionally, PDF files can be easily annotated, bookmarked, and searched for specific terms, making them highly practical for studying or referencing. When it comes to accessing Mazda3 Clutch Workshop Manual books and manuals, several platforms offer an extensive collection of resources. One such platform is Project Gutenberg, a nonprofit organization that provides over 60,000 free eBooks. These books are primarily in the public domain, meaning they can be freely distributed and downloaded. Project Gutenberg offers a wide range of classic literature, making it an excellent resource for literature enthusiasts. Another popular platform for Mazda3 Clutch Workshop Manual books and manuals is Open Library. Open Library is an initiative of the Internet Archive, a non-profit organization dedicated to digitizing cultural artifacts and making them accessible to the public. Open Library hosts millions of books, including both public domain works and contemporary titles. It also allows users to borrow digital copies of certain books for a limited period, similar to a library lending system. Additionally, many universities and educational institutions have their own digital libraries that provide free access to PDF books and manuals. These libraries often offer academic texts, research papers, and technical manuals, making them

invaluable resources for students and researchers. Some notable examples include MIT OpenCourseWare, which offers free access to course materials from the Massachusetts Institute of Technology, and the Digital Public Library of America, which provides a vast collection of digitized books and historical documents. In conclusion, Mazda3 Clutch Workshop Manual books and manuals for download have transformed the way we access information. They provide a cost-effective and convenient means of acquiring knowledge, offering the ability to access a vast library of resources at our fingertips. With platforms like Project Gutenberg, Open Library, and various digital libraries offered by educational institutions, we have access to an ever-expanding collection of books and manuals. Whether for educational, professional, or personal purposes, these digital resources serve as valuable tools for continuous learning and self-improvement. So why not take advantage of the vast world of Mazda3 Clutch Workshop Manual books and manuals for download and embark on your journey of knowledge?

### **FAQs About Mazda3 Clutch Workshop Manual Books**

How do I know which eBook platform is the best for me? Finding the best eBook platform depends on your reading preferences and device compatibility. Research different platforms, read user reviews, and explore their features before making a choice. Are free eBooks of good quality? Yes, many reputable platforms offer high-quality free eBooks, including classics and public domain works. However, make sure to verify the source to ensure the eBook credibility. Can I read eBooks without an eReader? Absolutely! Most eBook platforms offer webbased readers or mobile apps that allow you to read eBooks on your computer, tablet, or smartphone. How do I avoid digital eye strain while reading eBooks? To prevent digital eye strain, take regular breaks, adjust the font size and background color, and ensure proper lighting while reading eBooks. What the advantage of interactive eBooks? Interactive eBooks incorporate multimedia elements, quizzes, and activities, enhancing the reader engagement and providing a more immersive learning experience. Mazda3 Clutch Workshop Manual is one of the best book in our library for free trial. We provide copy of Mazda3 Clutch Workshop Manual in digital format, so the resources that you find are reliable. There are also many Ebooks of related with Mazda3 Clutch Workshop Manual. Where to download Mazda3 Clutch Workshop Manual online for free? Are you looking for Mazda3 Clutch Workshop Manual PDF? This is definitely going to save you time and cash in something you should think about. If you trying to find then search around for online. Without a doubt there are numerous these available and many of them have the freedom. However without doubt you receive whatever you purchase. An alternate way to get ideas is always to check another Mazda3 Clutch Workshop Manual. This method for see exactly what may be included and adopt these ideas to your book. This site will almost certainly help you save time and effort, money and stress. If you are looking for free books then you really should consider finding to assist you try this. Several of Mazda3 Clutch Workshop Manual are for sale to free while some are payable. If you arent sure if the

books you would like to download works with for usage along with your computer, it is possible to download free trials. The free guides make it easy for someone to free access online library for download books to your device. You can get free download on free trial for lots of books categories. Our library is the biggest of these that have literally hundreds of thousands of different products categories represented. You will also see that there are specific sites catered to different product types or categories, brands or niches related with Mazda3 Clutch Workshop Manual. So depending on what exactly you are searching, you will be able to choose e books to suit your own need. Need to access completely for Campbell Biology Seventh Edition book? Access Ebook without any digging. And by having access to our ebook online or by storing it on your computer, you have convenient answers with Mazda3 Clutch Workshop Manual To get started finding Mazda3 Clutch Workshop Manual, you are right to find our website which has a comprehensive collection of books online. Our library is the biggest of these that have literally hundreds of thousands of different products represented. You will also see that there are specific sites catered to different categories or niches related with Mazda3 Clutch Workshop Manual So depending on what exactly you are searching, you will be able to choose ebook to suit your own need. Thank you for reading Mazda3 Clutch Workshop Manual. Maybe you have knowledge that, people have search numerous times for their favorite readings like this Mazda3 Clutch Workshop Manual, but end up in harmful downloads. Rather than reading a good book with a cup of coffee in the afternoon, instead they juggled with some harmful bugs inside their laptop. Mazda3 Clutch Workshop Manual is available in our book collection an online access to it is set as public so you can download it instantly. Our digital library spans in multiple locations, allowing you to get the most less latency time to download any of our books like this one. Merely said, Mazda3 Clutch Workshop Manual is universally compatible with any devices to read.

### **Find Mazda3 Clutch Workshop Manual :**

~~gods word for your healing scriptures confessions & devotions to help you recover~~

**gloria estefan singer and entertainer hispanic biographies**

**god is in the small stuff for kids**

[gmc yukon denali xl 2006 service manual](#)

[go slow england special local places to eat stay and savor](#)

[gmc motors manual for 1991 silverado v8](#)

**gmd800 kuhn parts manual**

*god is not pixie dust*

**going back to school with district workers compensation and employee safety programs**

*gods gym ionoco twee boeken*



god and grandpa lessons learned on the road trip of a lifetime

**gods gift to women discovering the lost greatness of masculinity**

going deeper a wifes anal training

**gods worn out servants terreldor press shorts book 3**

**god loves a cheerful giver kids**

### **Mazda3 Clutch Workshop Manual :**

Glencoe Math Course 1 answers & resources Glencoe Math Course 1 grade 6 workbook & answers help online. Grade: 6, Title: Glencoe Math Course 1, Publisher: Glencoe McGraw-Hill, ISBN: Concepts, Skills, and Problem Solving, Course 1 Math Connects: Concepts, Skills, and Problem Solving, Course 1 · Online Student Edition · Student Workbooks · Real World Unit Projects · Other Calculator Keystrokes ... Study Guide and Intervention and Practice Workbook Masters for Glencoe Math Connects, Course 1. The answers to these worksheets are available at the end of each Chapter Resource Masters booklet as well as in ... Glencoe Math Course 1, Volume 1 - 1st Edition - Solutions ... Our resource for Glencoe Math Course 1, Volume 1 includes answers to chapter exercises, as well as detailed information to walk you through the process step by ... McGraw-Hill Education - solutions and answers Answers and solutions to McGraw-Hill Education textbooks. World class homework help, a private tutor in your pocket. Download for free and get better ... Glencoe Math: Course 1, Volume 2 - 9780076618392 Glencoe Math: Course 1, Volume 2 (9780076618392) - Written for a 6th grade audience, Glencoe Math: Course 1 is divided into two volumes. Grade 6 McGraw Hill Glencoe - Answer Keys View all solutions for free; Request more in-depth explanations for free; Ask our tutors any math-related question for free; Email your homework to your parent ... glencoe math course 3 answer key pdf 5 days ago — Download Free Glencoe Math Connects Course 1 Answer Key Read Pdf Free . ... Answer Key Book (PDF) glencoe course 2 answer key Read Free Glencoe ... math connects answers ... Math Connects program from Macmillan/McGraw-Hill and Glencoe. Explore the Best Connect Math Answers. Glencoe Math Connects Course 1 Answer Key - BYU. sets ... Bobcat t300 Service Manual PDF 20-3]. Removing The Lift Arm Support Device. The operator must be in the operator's seat, with the seat. T300 Loader Service Manual Paper Copy - Bobcat Parts Genuine Bobcat T300 Loader Service Manual, 6987045ENUS provides the owner or operator with detailed service information including adjustments, diagnosis, ... Bobcat T300 Workshop Repair Manual Buy Bobcat T300 Workshop Repair Manual: Automotive - Amazon.com ☐ FREE DELIVERY possible on eligible purchases. Bobcat T300 Compact Track Loader Service Manual PDF PDF service manual provides special instructions for repair and maintenance, safety maintenance information for Bobcat Compact Track Loader T300. Bobcat T300 Compact Track Loader Service Repair ... Bobcat T300 Compact Track Loader Service Repair Manual DOWNLOAD ... Service Repair Manual for the Bobcat T300 Compact Track Loader ever compiled by

mankind. Bobcat T300 Compact Track Loader Service manual 2-11 ... Dec 21, 2019 — Aug 2, 2019 - This Bobcat T300 Compact Track Loader Service manual 2-11 PDF Download provides detailed illustrations, instructions, ... Bobcat T300 Workshop Repair Manual Description. Bobcat T300 Compact Track Loader Repair Manual, Service Manual, Workshop Manual Parts nr: 6986683 (3-09) 2009 revision. Beware of sellers ... Bobcat T300 Compact Track Loader Service Repair ... Bobcat T300 Compact Track Loader Service Repair Manual + Operation & Maintenance Manual + Wiring/Hydraulic/Hydrostatic Schematic - PDF Download. Bobcat T300 Track Loader Operation & Maintenance ... Part Number: 6904166. This Operation & Maintenance Manual Covers the Following Bobcat T300 Serial Numbers Make: Bobcat. Manual Type: Operation & Maintenance ... Bobcat T300 PN# 6987045 Compact Track Loader ... - eBay Bobcat T300 PN# 6987045 Compact Track Loader Service Manual #6214 ; Returns. Accepted within 30 days. Buyer pays return shipping ; Accurate description. 4.8. Oxford Handbook of Applied Dental Sciences ... The Oxford Handbook of Applied Dental Preclinical Sciences covers the medical sciences for the preclinical dental student in a concise and easily accessible ... Oxford handbook of applied dental sciences This handbook covers pathology, microbiology, and pharmacology and there are also sections on biochemistry, immunology and behavioural sciences for dentistry. Oxford handbook of applied dental sciences Oxford handbook of applied dental sciences Available at University of Colorado Health Sciences Library General Collection - 3rd Floor (WU 100 O984 2002 ) ... Oxford Handbook of Applied Dental Sciences ( ... The Oxford Handbook of Applied Dental Preclinical Sciences covers the medical sciences for the preclinical dental student in a concise and easily accessible ... Oxford handbook of applied dental sciences Oxford handbook of applied dental sciences. Author: Crispian Scully. Front cover image for Oxford handbook of applied dental sciences. eBook, English, ©2002. Oxford Handbook of Integrated Dental Biosciences ... May 8, 2018 — Featuring separate sections detailing the relevant clinical application and putting the science into context, this handbook is ideal for dental ... Oxford Handbook of Applied Dental Sciences The Oxford Handbook of Applied Dental Preclinical Sciences covers the medical sciences for the preclinical dental student in a concise and easily accessible ... Oxford Handbook of Integrated Dental Biosciences A truly applied handbook which fully explains the clinical application of the science; Closely integrates the basic and clinical sciences to ensure a clear ... Oxford Handbook of Applied Dental Sciences ... Synopsis: The Oxford Handbook of Applied Dental Preclinical Sciences covers the medical sciences for the preclinical dental student in a concise and easily ... Oxford Handbook of Applied Dental Sciences ... Aug 27, 2023 — Oxford Handbook of Applied Dental Sciences (Oxford Medical Handbooks) (1st Edition). by Crispian Scully Cbe (Editor), Arensburg Et Al ...