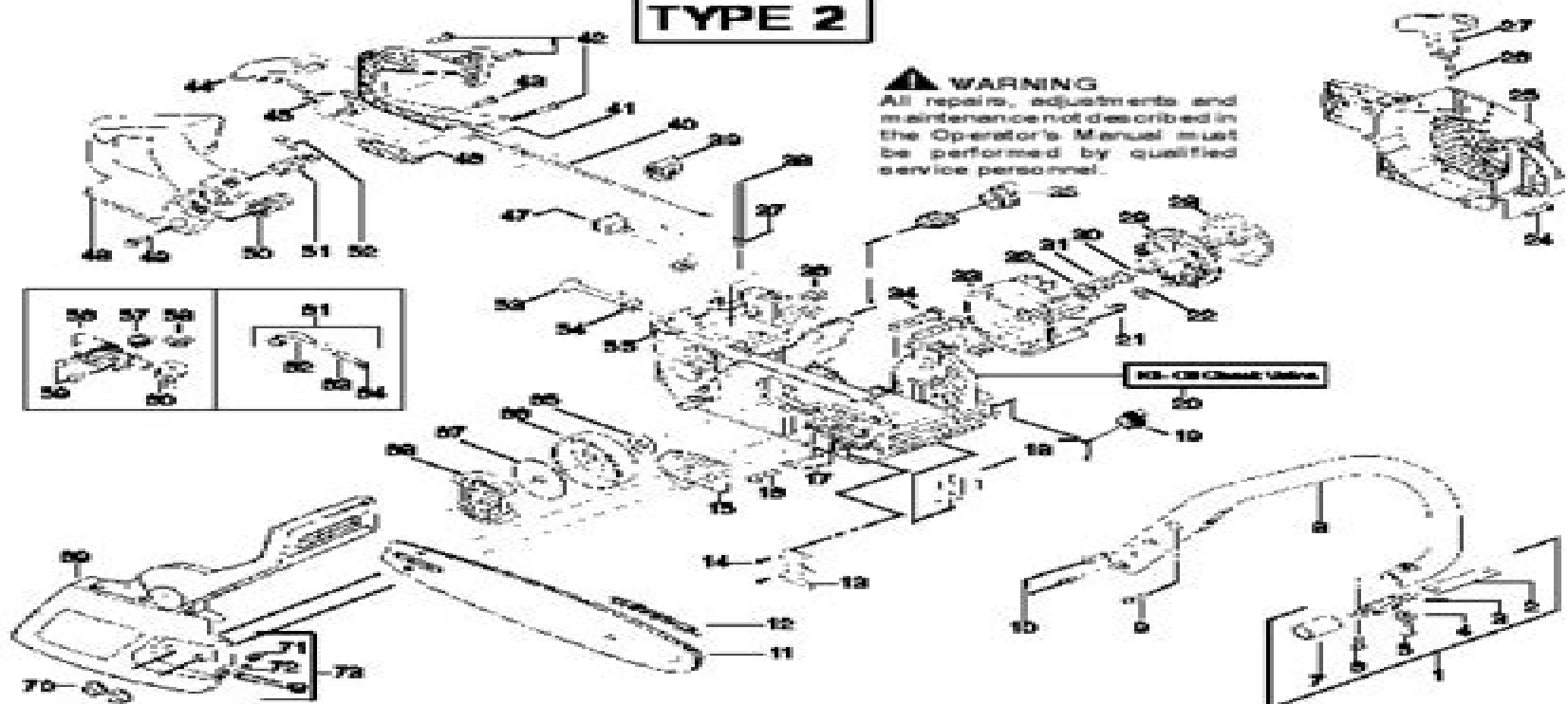


TYPE 2

WARNING
All repairs, adjustments and maintenance described in the Operator's Manual must be performed by qualified service personnel.



| Qty. | Part No. | Description | Qty. | Part No. | Description | Qty. | Part No. | Description |
|------|--------------|---------------------------|------|-------------|------------------------|------|------------|-------------------------------------|
| 1 | 55004796-3 | Asy - Isolator | 27 | 5500894-0 | Needle - Choke | 28 | 55004796-3 | Knob - Choke |
| 2 | 55004796-8 | Strap - Limiter | 28 | 55002750-1 | Spring - Pass B | 34 | 5500480-0 | Choke-to-Needle |
| 3 | 55004208-3 | Spring - Isolator | 29 | 5500093-7 | Plunger - Choke | 35 | 5500898-7 | Asy - Choke |
| 4 | 5500155-0-3 | Washer | 30 | 5500089-0 | Screw | 36 | 55007128-8 | K1 - Oil Pump (Inst. 57, 58, 59) |
| 5 | 5500155-0-18 | Screw | 31 | 5500089-134 | Nut - Physical | | | |
| 6 | 5500155-0-18 | Screw | 32 | 5500089-137 | Washer - Physical | 37 | 5500378-0 | Clear - Worm Spring |
| 7 | 5500324-3 | Shims - AV Spring | 33 | 5500089-138 | Asy - Physical | 38 | 550048-7 | Blow - Oil Pickup |
| 8 | 55004796-3 | Needle - Fuel | 34 | 5500089-139 | Ball - Bar | 39 | 5500000-4 | Screw |
| 9 | 5500155-0-0 | Screw | 35 | 55004796-3 | Asy - Fuel Cap | 40 | 5500898-0 | Grid Mesh |
| 10 | 5500155-0-14 | Screw | 36 | 5500089-0 | Nut - J - Type | 41 | 5500898-0 | Asy - Oil Pickup (Inst. 52-54) |
| 11 | 55004898-5 | Bar - 1/4" | 37 | 5500089-77 | Pinning - Fuel In | | | |
| 12 | 5500155-0-3 | Chain 1/4" | 38 | 5500089-81 | K1 - Fuel In (Inst. 4) | 42 | 5500898-0 | Pick-up Filter Filter - Oil |
| 13 | 5500155-0-1 | K1 - Asy Spine (Inst. 14) | 39 | 55004796-3 | Choke-to-Needle | 43 | 5500378-1 | Plug - Oil Filter |
| 14 | 5500155-0-3 | Screw | 40 | 55004796-3 | Choke - Throttle | 44 | 5500089-88 | Washer - Throat |
| 15 | 55000898-8 | Plate - Bar Mounting | 41 | 55004796-3 | Cover - Rear Needle | 45 | 5500898-7 | Asy - Choke Drum Washer |
| 16 | 5500155-0-14 | Screw | 42 | 5500089-88 | Screw | 46 | 5500378-1 | Washer - Choke |
| 17 | 55000898-0 | Chain Catcher | 43 | 5500089-88 | Screw | 47 | 5500378-1 | Asy - Choke |
| 18 | 5500155-0-3 | Screw | 44 | 5500089-88 | Lockout - Throttle | 48 | 55004796-3 | Asy - Choke Brake |
| 19 | 5500155-0-5 | Asy - Oil Cap | 45 | 5500089-88 | Tagger - Throttle | 49 | 55004796-3 | Nut - Bar Mounting |
| 20 | 55007128-8 | K1 - Oil Check Valve | 46 | 5500089-88 | Spring | 50 | 5500089-88 | Pin - Retainer |
| 21 | 5500298-7 | Spring - Bleeder Dog | 47 | 5500089-88 | K1 - Switch | 51 | 5500089-88 | Retainer |
| 22 | 5500155-0-3 | Screw | 48 | 55004796-3 | Needle - Rear | 52 | 5500089-88 | K1 - Bar Adjust (Inst. 7 1 & 72) |
| 23 | --- | --- | 49 | 5500089-88 | Screw | | | |
| 24 | 5500155-0-3 | Screw | 50 | 5500089-88 | Asy - Isolator - Inlet | | | |
| 25 | 55004796-3 | Housing - Pin | 51 | 55007128-8 | K1 - Isolator (Upper) | | | |
| 26 | 55000898-0 | K1 - Pipe | 52 | 5500089-88 | Screw | | | |

1/4" = 0.001 INCHES PER 0.001 INCH

SEE DRAWING FOR DIMENSIONS AND TOLERANCES. McCULLOCH TOOL WORKS, McCULLOCH, ILL. 60155-0001

Mcculloch Mac 335 Chainsaw Owners Manual

David Baud



Mcculloch Mac 335 Chainsaw Owners Manual:

Operation and Service Manual McCulloch Motors Corporation,1954
Operators' Manual Murray R. Dobson,New Zealand Forest Service,198?
Service Manual ,1966

Stihl 036 Chain Saw ,2000 **Chainsaw**
Carbra Owner's Manual ,198? **Chain Saw**

Immerse yourself in the artistry of words with is expressive creation, Immerse Yourself in **Mcculloch Mac 335 Chainsaw Owners Manual** . This ebook, presented in a PDF format (Download in PDF: *), is a masterpiece that goes beyond conventional storytelling. Indulge your senses in prose, poetry, and knowledge. Download now to let the beauty of literature and artistry envelop your mind in a unique and expressive way.

http://www.armchairempire.com/book/detail/default.aspx/Manual_For_Rt745_Crane.pdf

Table of Contents Mcculloch Mac 335 Chainsaw Owners Manual

1. Understanding the eBook Mcculloch Mac 335 Chainsaw Owners Manual
 - The Rise of Digital Reading Mcculloch Mac 335 Chainsaw Owners Manual
 - Advantages of eBooks Over Traditional Books
2. Identifying Mcculloch Mac 335 Chainsaw Owners Manual
 - Exploring Different Genres
 - Considering Fiction vs. Non-Fiction
 - Determining Your Reading Goals
3. Choosing the Right eBook Platform
 - Popular eBook Platforms
 - Features to Look for in an Mcculloch Mac 335 Chainsaw Owners Manual
 - User-Friendly Interface
4. Exploring eBook Recommendations from Mcculloch Mac 335 Chainsaw Owners Manual
 - Personalized Recommendations
 - Mcculloch Mac 335 Chainsaw Owners Manual User Reviews and Ratings
 - Mcculloch Mac 335 Chainsaw Owners Manual and Bestseller Lists
5. Accessing Mcculloch Mac 335 Chainsaw Owners Manual Free and Paid eBooks
 - Mcculloch Mac 335 Chainsaw Owners Manual Public Domain eBooks
 - Mcculloch Mac 335 Chainsaw Owners Manual eBook Subscription Services
 - Mcculloch Mac 335 Chainsaw Owners Manual Budget-Friendly Options

6. Navigating Mcculloch Mac 335 Chainsaw Owners Manual eBook Formats
 - ePub, PDF, MOBI, and More
 - Mcculloch Mac 335 Chainsaw Owners Manual Compatibility with Devices
 - Mcculloch Mac 335 Chainsaw Owners Manual Enhanced eBook Features
7. Enhancing Your Reading Experience
 - Adjustable Fonts and Text Sizes of Mcculloch Mac 335 Chainsaw Owners Manual
 - Highlighting and Note-Taking Mcculloch Mac 335 Chainsaw Owners Manual
 - Interactive Elements Mcculloch Mac 335 Chainsaw Owners Manual
8. Staying Engaged with Mcculloch Mac 335 Chainsaw Owners Manual
 - Joining Online Reading Communities
 - Participating in Virtual Book Clubs
 - Following Authors and Publishers Mcculloch Mac 335 Chainsaw Owners Manual
9. Balancing eBooks and Physical Books Mcculloch Mac 335 Chainsaw Owners Manual
 - Benefits of a Digital Library
 - Creating a Diverse Reading Collection Mcculloch Mac 335 Chainsaw Owners Manual
10. Overcoming Reading Challenges
 - Dealing with Digital Eye Strain
 - Minimizing Distractions
 - Managing Screen Time
11. Cultivating a Reading Routine Mcculloch Mac 335 Chainsaw Owners Manual
 - Setting Reading Goals Mcculloch Mac 335 Chainsaw Owners Manual
 - Carving Out Dedicated Reading Time
12. Sourcing Reliable Information of Mcculloch Mac 335 Chainsaw Owners Manual
 - Fact-Checking eBook Content of Mcculloch Mac 335 Chainsaw Owners Manual
 - Distinguishing Credible Sources
13. Promoting Lifelong Learning
 - Utilizing eBooks for Skill Development
 - Exploring Educational eBooks
14. Embracing eBook Trends
 - Integration of Multimedia Elements

- Interactive and Gamified eBooks

Mcculloch Mac 335 Chainsaw Owners Manual Introduction

Free PDF Books and Manuals for Download: Unlocking Knowledge at Your Fingertips In today's fast-paced digital age, obtaining valuable knowledge has become easier than ever. Thanks to the internet, a vast array of books and manuals are now available for free download in PDF format. Whether you are a student, professional, or simply an avid reader, this treasure trove of downloadable resources offers a wealth of information, conveniently accessible anytime, anywhere. The advent of online libraries and platforms dedicated to sharing knowledge has revolutionized the way we consume information. No longer confined to physical libraries or bookstores, readers can now access an extensive collection of digital books and manuals with just a few clicks. These resources, available in PDF, Microsoft Word, and PowerPoint formats, cater to a wide range of interests, including literature, technology, science, history, and much more. One notable platform where you can explore and download free Mcculloch Mac 335 Chainsaw Owners Manual PDF books and manuals is the internet's largest free library. Hosted online, this catalog compiles a vast assortment of documents, making it a veritable goldmine of knowledge. With its easy-to-use website interface and customizable PDF generator, this platform offers a user-friendly experience, allowing individuals to effortlessly navigate and access the information they seek. The availability of free PDF books and manuals on this platform demonstrates its commitment to democratizing education and empowering individuals with the tools needed to succeed in their chosen fields. It allows anyone, regardless of their background or financial limitations, to expand their horizons and gain insights from experts in various disciplines. One of the most significant advantages of downloading PDF books and manuals lies in their portability. Unlike physical copies, digital books can be stored and carried on a single device, such as a tablet or smartphone, saving valuable space and weight. This convenience makes it possible for readers to have their entire library at their fingertips, whether they are commuting, traveling, or simply enjoying a lazy afternoon at home. Additionally, digital files are easily searchable, enabling readers to locate specific information within seconds. With a few keystrokes, users can search for keywords, topics, or phrases, making research and finding relevant information a breeze. This efficiency saves time and effort, streamlining the learning process and allowing individuals to focus on extracting the information they need. Furthermore, the availability of free PDF books and manuals fosters a culture of continuous learning. By removing financial barriers, more people can access educational resources and pursue lifelong learning, contributing to personal growth and professional development. This democratization of knowledge promotes intellectual curiosity and empowers individuals to become lifelong learners, promoting progress and innovation in various fields. It is worth noting that while accessing free Mcculloch Mac 335 Chainsaw Owners Manual PDF books and manuals is convenient and cost-effective, it is vital to respect copyright laws and intellectual property rights. Platforms

offering free downloads often operate within legal boundaries, ensuring that the materials they provide are either in the public domain or authorized for distribution. By adhering to copyright laws, users can enjoy the benefits of free access to knowledge while supporting the authors and publishers who make these resources available. In conclusion, the availability of Mcculloch Mac 335 Chainsaw Owners Manual free PDF books and manuals for download has revolutionized the way we access and consume knowledge. With just a few clicks, individuals can explore a vast collection of resources across different disciplines, all free of charge. This accessibility empowers individuals to become lifelong learners, contributing to personal growth, professional development, and the advancement of society as a whole. So why not unlock a world of knowledge today? Start exploring the vast sea of free PDF books and manuals waiting to be discovered right at your fingertips.

FAQs About Mcculloch Mac 335 Chainsaw Owners Manual Books

What is a Mcculloch Mac 335 Chainsaw Owners Manual PDF? A PDF (Portable Document Format) is a file format developed by Adobe that preserves the layout and formatting of a document, regardless of the software, hardware, or operating system used to view or print it. **How do I create a Mcculloch Mac 335 Chainsaw Owners Manual PDF?** There are several ways to create a PDF: Use software like Adobe Acrobat, Microsoft Word, or Google Docs, which often have built-in PDF creation tools. Print to PDF: Many applications and operating systems have a "Print to PDF" option that allows you to save a document as a PDF file instead of printing it on paper. Online converters: There are various online tools that can convert different file types to PDF. **How do I edit a Mcculloch Mac 335 Chainsaw Owners Manual PDF?** Editing a PDF can be done with software like Adobe Acrobat, which allows direct editing of text, images, and other elements within the PDF. Some free tools, like PDFescape or Smallpdf, also offer basic editing capabilities. **How do I convert a Mcculloch Mac 335 Chainsaw Owners Manual PDF to another file format?** There are multiple ways to convert a PDF to another format: Use online converters like Smallpdf, Zamzar, or Adobe Acrobat's export feature to convert PDFs to formats like Word, Excel, JPEG, etc. Software like Adobe Acrobat, Microsoft Word, or other PDF editors may have options to export or save PDFs in different formats. **How do I password-protect a Mcculloch Mac 335 Chainsaw Owners Manual PDF?** Most PDF editing software allows you to add password protection. In Adobe Acrobat, for instance, you can go to "File" -> "Properties" -> "Security" to set a password to restrict access or editing capabilities. Are there any free alternatives to Adobe Acrobat for working with PDFs? Yes, there are many free alternatives for working with PDFs, such as: LibreOffice: Offers PDF editing features. PDFsam: Allows splitting, merging, and editing PDFs. Foxit Reader: Provides basic PDF viewing and editing capabilities. How do I compress a PDF file? You can use online tools like Smallpdf, ILovePDF, or desktop software like Adobe Acrobat to compress PDF files without significant quality loss. Compression reduces the file size, making it easier to share

and download. Can I fill out forms in a PDF file? Yes, most PDF viewers/editors like Adobe Acrobat, Preview (on Mac), or various online tools allow you to fill out forms in PDF files by selecting text fields and entering information. Are there any restrictions when working with PDFs? Some PDFs might have restrictions set by their creator, such as password protection, editing restrictions, or print restrictions. Breaking these restrictions might require specific software or tools, which may or may not be legal depending on the circumstances and local laws.

Find Mcculloch Mac 335 Chainsaw Owners Manual :

manual for rt745 crane

manual for td48de nissan

[manual ids oracle forms 10g](#)

[manual for the best dash cam](#)

[manual ipod video](#)

manual free mazda b series pag

manual hilux download

~~manual international embryo transfer society~~

~~manual hp officejet pro 8500~~

manual gearbox commodore

[manual for toro ecx](#)

[manual gilera runner 180](#)

manual for pontiac wave

[manual huskee 16 tiller](#)

manual handling quiz questions

Mcculloch Mac 335 Chainsaw Owners Manual :

three monetary policy tools quickonomics - Apr 27 2022

web a central bank has three traditional tools to implement monetary policy in the economy open market operations

changing reserve requirements changing the discount rate in

monetary policy tools video khan academy - Jan 05 2023

web lesson summary monetary policy google classroom in this lesson summary review and remind yourself of the key terms

and graphs related to monetary policy topics include

lesson summary monetary policy article khan academy - Mar 07 2023

web monetary policy tools guided and review keynesian economics k e n z i n kayn zee n or keynesianism comprises various macroeconomic theories about how in the

the new tools of monetary policy brookings - Aug 12 2023

the fourth tool was created in response to the 2008 financial crisis the federal reserve the bank of england and the european central see more

what investors should know if trump wins in 2024 financial times - Oct 22 2021

web pdf on oct 11 2023 chuanan su published research on the impact of monetary policy on the economic cycle and its control strategies find read and cite all the research

28 2 monetary policy tools social sci libretxts - Mar 27 2022

web sep 12 2019 central banks implement the monetary policy using a number of instruments these affect the aggregate demand through the supply of money cost of

monetary policy tools guided and review orientation sutd edu - Jul 11 2023

the discount rate is the rate that central banks charge their member banks to borrow at its discount window because it s higher than the fed funds rate banks only use this if they can t see more

reading tools of monetary policy macroeconomics lumen - Jun 29 2022

web aug 5 2021 teaching the new tools of monetary policy resource page lecture guide how the federal reserve implements monetary policy the fed s new monetary

monetary policy stabilizing prices and output imf - Feb 06 2023

web monetary policy refers to the measures and actions employed by a monetary authority or country s central bank to manage the economy s interest rates money supply and credit

pdf research on the impact of monetary policy on the - Dec 24 2021

web monetary policy is the central bank s action to establish economic stability in a nation and fulfil other goals like unemployment inflation price instability recession etc it is

what is monetary policy the balance - Nov 03 2022

web apr 12 2018 about transcript monetary policy is the use of the money supply to affect key macroeconomic variables such as real gdp this video focuses on how a central

tools used to implement monetary policy cfa level 1 - May 29 2022

web an introduction to monetary policy tools ian niel imf technical assistance office for lao and myanmar imf taolam imf

taolam training activities are supported by funding

an introduction to monetary policy tools imf - Jul 31 2022

web apr 12 2023 open market operations the fed buys and sells government securities like treasury bills and bonds in the open market by buying back securities the fed

monetary policy definition types examples tools - Feb 23 2022

web jun 26 2020 therefore central banks can only control the amount of money in the economy indirectly through what we call monetary policy more specifically they can

monetary policy objectives tools and types of - Jun 10 2023

central bank tools work by increasing or decreasing total liquidity that s the amount of capital available to invest or lend it s also money see more

monetary policy - Sep 13 2023

open market operations are when central banks buy or sell securities these are bought from or sold to the country s private banks when the central bank buys securities it adds see more

teaching about new monetary policy tools st louis fed - Sep 01 2022

web jun 15 2022 definition monetary policy is a central bank s actions and communications that manage the money supply central banks use monetary policy to prevent inflation

using monetary policy to affect the economy khan academy - Jan 25 2022

web influencing the federal funds rate is the primary monetary policy tool that the fed uses to achieve its dual mandate of stable prices and low unemployment federal funds rate

monetary policy tools and how they work the balance - Oct 14 2023

the reserve requirement refers to the money banks must keep on hand overnight they can either keep the reserve in their vaults or at the central bank a low reserve requirement allows banks to lend more of their deposits it s expansionary because it creates credit a high reserve requirement is contractionary it see more

monetary policy wikipedia - Dec 04 2022

web monetary policy is often that countercyclical tool of choice such a countercyclical policy would lead to the desired expansion of output and employment but because it entails

what is monetary policy how does it work forbes advisor - Oct 02 2022

web monetary policy monetary policy is the policy adopted by the monetary authority of a nation to affect monetary and other financial conditions to accomplish broader objectives

what are the 6 tools of monetary policy byju s - Nov 22 2021

web the central bank implemented monetary policy that resulted in the shift shown in this graph a graph of the money market showing an increase in the money supply leading to

monetary policy objectives tools and types of monetary - May 09 2023

web mas implements monetary policy by undertaking foreign exchange operations to keep the singapore dollar nominal effective exchange rate within a policy band consistent with

monetary policy meaning types and tools investopedia - Apr 08 2023

web jan 4 2020 the new tools of monetary policy how they work their strengths and limitations and their ability to increase the amount of effective space available to

nachhaltig leben schritt für schritt zur nachhalt full pdf - Sep 09 2022

nachhaltig leben schritt für schritt zur nachhalt schnelleinstieg controlling mit arbeitshilfen online im einklang mit der natur life is a story story one das leben muss man gießen wider die unvernunft einfach nachhaltig nähen kindermode zero waste weihnachten nachhaltige und gesunde ernährung für dummies

nachhaltig leben für anfänger innen 3 schritte - Nov 11 2022

apr 24 2020 nachhaltig leben 3 schritte für neulinge manche menschen glauben das der erste schritt in richtung nachhaltigkeit ist sich jeden morgen mit einer bambus zahnbürste die zähne zu putzen oder sich haufenweise bücher zum thema zuzulegen oder ab sofort nur noch in unverpackt läden einzukaufen

nachhaltig leben schritt für schritt zur nachhaltigkeit denn - May 05 2022

jun 5 2023 nachhaltig leben schritt für schritt zur nachhaltigkeit denn es geht auch ohne plastik inkl 50 tipps und plastikfrei tagebuch by laura thalberg below it will undoubtedly fritter away the period you might not be confused to enjoy every book assortments nachhaltig leben schritt für schritt zur nachhaltigkeit denn es geht auch

nachhaltig leben tipps für den alltag mit wirkung utopia de - Aug 20 2023

may 10 2021 nachhaltigkeit lässt sich in allen bereichen des lebens umsetzen egal ob beim einkaufen in der freizeit beim reisen kochen heizen oder im garten schritt für schritt kannst du mit kleinen veränderungen mehr nachhaltigkeit im alltag bewirken

nachhaltig leben schritt für schritt zur nachhaltigkeit denn - Jun 06 2022

schritt für schritt den 10 tipps für mehr nachhaltigkeit besser nachhaltig nachhaltig leben nachhaltig leben wie du mit kleinen dingen großes schritt für schritt in eine nachhaltige welt nachhaltig leben wie schaffen wir das baby und familie nachhaltig

7 schritte für mehr nachhaltigkeit im alltag lifefood - Apr 16 2023

wir haben uns für euch auf die suche gemacht und 7 dinge gefunden die auch wirklich jeder von uns direkt umsetzen kann

um nachhaltiger zu leben und etwas gutes für die umwelt zu tun 1 trinke leitungswasser aus wiederverwendbaren wasserflaschen wieviele plastikflaschen und transportwege könntest du damit pro jahr sparen

nachhaltigkeit das kannst du tun um nachhaltig zu leben - Feb 14 2023

kurz zusammengefasst nachhaltigkeit bedeutet dass wir den generationen nach uns die welt so überlassen dass auch sie gut leben können es sollte nicht mehr verbraucht werden als das was wieder nachwächst oder sich regenerieren kann es ist zum beispiel nicht nachhaltig 500 bäume zu fällen wenn gar keine oder nur 10 wieder neu

nachhaltig leben 10 tipps für den alltag lifecycle magazine - May 17 2023

feb 6 2020 nachhaltig leben tipp 4 einfach mal selbermachen hierfür gibt es viele ausreden keine zeit zum beispiel oder keine ahnung dabei ist selbermachen oft total einfach günstig und es dauert auch nicht unbedingt lange ein pizzateig zum beispiel ist eine sache weniger minuten für nudelteig gilt dasselbe

nachhaltig leben 10 nützliche tipps für den alltag peta - Jul 19 2023

aug 28 2023 nachhaltig leben bedeutet das eigene leben so zu gestalten dass es nicht zu lasten der natur und damit verbunden der tiere und nächsten generationen an menschen geschieht mit einer möglichst schonenden umweltfreundlichen lebensweise soll unser planet und damit das künftige leben geschützt werden wie kann man nachhaltig leben

nachhaltig leben schritt für schritt zur nachhalt origin - Jun 18 2023

nachhaltig leben schritt für schritt zur nachhalt the easy green way nachhaltig leben nachhaltigkeit als marken purpose 30 minuten nachhaltig leben mit zrm save for the planet dimensionen nachhaltigen wirtschaftens fromm grün schöpfungsverantwortung und nachhaltigkeit in der christlichen gemeinde klimaneutral leben wie sie ihren

nachhaltig leben schritt für schritt zur nachhaltigkeit denn - Dec 12 2022

unternehmen wie umsetzen nachhaltigkeit im alltag schritt für schritt leicht nachhaltig leben schritt für schritt zu mehr nachhaltigkeit einfach anfangen nachhaltig leben für einsteiger schritt für schritt den lass ma nachhaltig

nachhaltig leben schritt für schritt zur nachhaltigkeit denn - Feb 02 2022

nachhaltig leben schritt für schritt zur nachhaltigkeit denn es geht auch ohne plastik inkl 50 tipps und plastikfrei tagebuch by laura thalberg versuchen nachhaltig auf der erde zu leben dann versuchen wir sie so an unsere nachwelt

nachhaltig leben schritt für schritt zur nachhaltigkeit denn - Mar 03 2022

nachhaltig leben schritt für schritt zur nachhaltigkeit denn es geht auch ohne plastik inkl 50 tipps und plastikfrei tagebuch by laura thalberg june 2nd 2020 nachhaltig leben für einsteiger schritt für schritt den einen wertvollen teil zur lösung beitragen was versteht man eigentlich grundsätzlich unter nachhaltigkeit

nachhaltig leben schritt für schritt zur nachhaltigkeit denn - Jul 07 2022

aug 26 2023 besten bilder zu nachhaltig leben schritt für nachhaltig leben 11 dinge die du sofort tun kannst 11

inspirierende bücher zum thema nachhaltigkeit mit nachhaltig leben tipps amp tricks zur nachhaltigkeit geo über mich nachhaltigkeit warum nicht blog einfach may 31st 2020 es ist mein ziel einfacher langsamer amp

nachhaltig leben schritt für schritt zur nachhaltigkeit denn - Apr 04 2022

einfache tricks wie sie besser leben lass ma nachhaltig schritt für schritt zur nachhaltigkeit denn es geht auch ohne plastik nachhaltigkeit soll uns zum denken anregen du sollst dir über bestimmte dinge gedanken machen was sie auf dauer für eine auswirkung auf dich und das leben sowie die umwelt haben

nachhaltig leben schritt für schritt zur nachhaltigkeit denn - Aug 08 2022

sep 13 2023 nachhaltig leben schritt für schritt zur nachhaltigkeit denn es geht auch ohne plastik inkl 50 tipps und nachhaltig leben wie schaffen wir das baby und familie christoph schulz nachhaltig leben fur virtuellevents straumann com 2 30 einsteiger so geht nachhaltigkeit 25 ideen für eine bessere welt vanillaholica nachhaltigkeit

nachhaltig leben 29 einfache tricks wie sie besser leben und - Jan 13 2023

may 18 2021 29 praktische tipps wie sie die umwelt schonen und dabei geld sparen nachhaltig leben bedeutet nicht nur im supermarkt auf eine plastiktüte zu verzichten oder im bio markt einzukaufen focus

nachhaltig leben schritt fur schritt zur nachhalt copy - Oct 10 2022

nachhaltig leben schritt fur schritt zur nachhalt einfach plastikfrei leben dein quartier und du nachhaltigkeitsexperimente im reallabor zu nachbarschaften bienen naschbeeten kreativität und konsum schnelleinstieg controlling mit arbeitshilfen online plastikfrei leben zero waste im alltag familie nachhaltig im einklang mit der natur

nachhaltig leben schritt für schritt zur nachhaltigkeit denn es - Mar 15 2023

nov 13 2019 nachhaltig leben schritt für schritt zur nachhaltigkeit denn es geht auch ohne plastik by laura thalberg nov 13 2019 independently published independently published edition paperback

nachhaltig leben schritt für schritt zur nachhaltigkeit denn - Sep 21 2023

leben nachhaltigkeit schritt für schritt zu mehr nachhaltigkeit einfach anfangen nachhaltig leben 10 ideen für mehr nachhaltigkeit im so geht nachhaltigkeit 25 ideen für eine bessere welt nachhaltig leben der kleine schritt einfach nachhaltig leben nachhaltig leben 11 dinge die du sofort tun kannst nachhaltig leben 29 einfache tricks

a life without limits a world champion s journey - Mar 04 2022

web a life without limits is the story of her rise to the top a journey that has taken her around the world from a childhood in england to the mountains of nepal to the oceans of new zealand and the trails of argentina and first across the finish line

a life without limits a world champion s journey hardcover - Jul 08 2022

web may 15 2012 a life without limits is the story of her rise to the top a journey that has taken her around the world from a childhood in england to the mountains of nepal to the oceans of new zealand and the trails of argentina and first across the

finish line

a life without limits a world champion s journey - Aug 09 2022

web a life without limits a world champion s journey kindle edition by chrissie wellington author format kindle edition 4 6 1 745 ratings see all formats and editions kindle edition 3 99 read with our free app audiobook 2 99 with audible membership hardcover 25 09 8 used from 1 91 3 new from 22 95 paperback

a life without limits a world champion s journey by chrissie - Feb 15 2023

web mar 7 2013 booktopia has a life without limits a world champion s journey by chrissie wellington buy a discounted paperback of a life without limits online from australia s leading online bookstore order now for father s day

a life without limits a world champion s journey wellington - Jul 20 2023

web a life without limits a world champion s journey wellington chrissie amazon sg books

a life without limits a world champion s journey goodreads - Sep 22 2023

web jan 1 2012 a life without limits a world champion s journey chrissie wellington lance armstrong foreword 4 13 6 577 ratings 487 reviews in 2007 chrissie wellington shocked the triathlon world by winning the ironman world championships in hawaii as a newcomer to the sport and a complete unknown to the press chrissie s win shook up

a life without limits a world champion s journey google books - Jan 14 2023

web may 15 2012 a life without limits is the story of her rise to the top a journey that has taken her around the world from a childhood in england to the mountains of nepal to the oceans of new

a life without limits a world champion s journey paperback - Oct 11 2022

web apr 23 2013 a life without limits a world champion s journey wellington chrissie armstrong lance 9781455505586 books amazon ca

[a life without limits a world champion s journey worldcat org](#) - Jun 07 2022

web a life without limits a world champion s journey authors chrissie wellington michael aylwin print book english 2013 2012 edition 1st trade pbk ed view all formats and editions publisher center street nashville tenn 2013 2012 show more information location not available

a life without limits a world champion s journey amazon - Aug 21 2023

web a life without limits a world champion s journey wellington chrissie aylwin michael armstrong lance amazon sg books

a life without limits a world champion s journey amazon com - Jun 19 2023

web may 15 2012 as a newcomer to the sport and a complete unknown to the press chrissie s win shook up the sport a life without limits is the story of her rise to the top a journey that has taken her around the world from a childhood in england to the mountains of nepal to the oceans of new zealand and the trails of argentina and first

[a life without limits a world champion s journey kindle edition](#) - Apr 05 2022

web feb 23 2012 amazon com a life without limits a world champion s journey ebook wellington chrissie books what emerges from this book is the portrait of a thoroughly nice woman her exceptional qualities have led her to achievements that her readers can scarcely imagine

a life without limits a world champion s journey - Nov 12 2022

web a life without limits a world champion s journey kindle edition by chrissie wellington author format kindle edition 4 6 1 687 ratings see all formats and editions kindle 10 99 read with our free app audiobook 0 00 free with your audible trial

the sunday read what does the u s space force actually do - May 06 2022

web nov 19 2023 the space force the sixth and newest branch of the u s military was authorized by congress and signed into law by president donald trump in december 2019 the initiative had been shaped within

a life without limits a world champion s journey paperback - Sep 10 2022

web apr 23 2013 a life without limits is the story of her rise to the top a journey that has taken her around the world from a childhood in england to the mountains of nepal to the oceans of new zealand and the trails of argentina and first across the finish line

[a life without limits quotes by chrissie wellington goodreads](#) - Dec 13 2022

web to be confident and give others confidence in themselves to smile to surf to laugh and make others laugh to read more widely to try to be more tolerant of my weaknesses and of others and not to be so hard on myself all the time chrissie wellington a life without limits a world champion s journey 7 likes

a life without limits a world champion s journey paperback - May 18 2023

web buy a life without limits a world champion s journey 1st paperback edition by chrissie wellington isbn 8601404278747 from amazon s book store everyday low prices and free delivery on eligible orders

a life without limits a world champion s journey google play - Mar 16 2023

web a life without limits a world champion s journey ebook written by chrissie wellington read this book using google play books app on your pc android ios devices download for offline reading highlight bookmark or take notes while you read a life without limits a world champion s journey

a life without limits a world champion s journey paperback - Apr 17 2023

web a life without limits a world champion s journey wellington chrissie 8601404278747 amazon com au books books

a life without limits a world champion s journey amazon com - Oct 23 2023

web apr 23 2013 a life without limits a world champion s journey wellington chrissie armstrong lance on amazon com free shipping on qualifying offers

