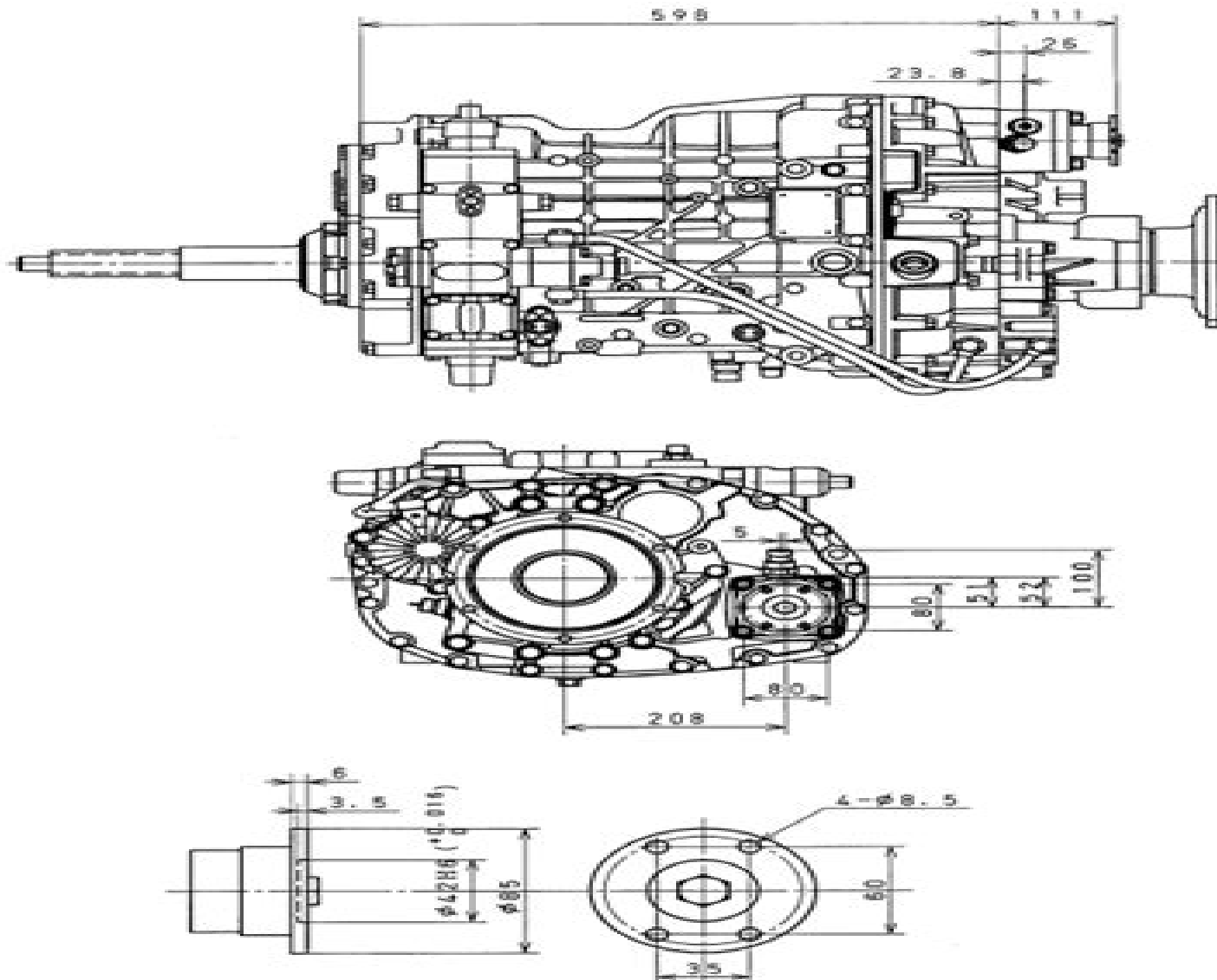


• P.T.O. Mounting on transmission case



Hino 500 Parts Manual

S Ben Porath



Hino 500 Parts Manual:

Eventually, you will extremely discover a new experience and endowment by spending more cash. still when? realize you give a positive response that you require to get those all needs afterward having significantly cash? Why dont you try to acquire something basic in the beginning? Thats something that will guide you to comprehend even more on the order of the globe, experience, some places, considering history, amusement, and a lot more?

It is your certainly own epoch to be active reviewing habit. in the course of guides you could enjoy now is **Hino 500 Parts Manual** below.

<http://www.armchairempire.com/About/Resources/Documents/Labpaq%20Lab%20Manual%20Physics.pdf>

Table of Contents Hino 500 Parts Manual

1. Understanding the eBook Hino 500 Parts Manual
 - The Rise of Digital Reading Hino 500 Parts Manual
 - Advantages of eBooks Over Traditional Books
2. Identifying Hino 500 Parts Manual
 - Exploring Different Genres
 - Considering Fiction vs. Non-Fiction
 - Determining Your Reading Goals
3. Choosing the Right eBook Platform
 - Popular eBook Platforms
 - Features to Look for in an Hino 500 Parts Manual
 - User-Friendly Interface
4. Exploring eBook Recommendations from Hino 500 Parts Manual
 - Personalized Recommendations
 - Hino 500 Parts Manual User Reviews and Ratings
 - Hino 500 Parts Manual and Bestseller Lists
5. Accessing Hino 500 Parts Manual Free and Paid eBooks

- Hino 500 Parts Manual Public Domain eBooks
 - Hino 500 Parts Manual eBook Subscription Services
 - Hino 500 Parts Manual Budget-Friendly Options
6. Navigating Hino 500 Parts Manual eBook Formats
 - ePub, PDF, MOBI, and More
 - Hino 500 Parts Manual Compatibility with Devices
 - Hino 500 Parts Manual Enhanced eBook Features
 7. Enhancing Your Reading Experience
 - Adjustable Fonts and Text Sizes of Hino 500 Parts Manual
 - Highlighting and Note-Taking Hino 500 Parts Manual
 - Interactive Elements Hino 500 Parts Manual
 8. Staying Engaged with Hino 500 Parts Manual
 - Joining Online Reading Communities
 - Participating in Virtual Book Clubs
 - Following Authors and Publishers Hino 500 Parts Manual
 9. Balancing eBooks and Physical Books Hino 500 Parts Manual
 - Benefits of a Digital Library
 - Creating a Diverse Reading Collection Hino 500 Parts Manual
 10. Overcoming Reading Challenges
 - Dealing with Digital Eye Strain
 - Minimizing Distractions
 - Managing Screen Time
 11. Cultivating a Reading Routine Hino 500 Parts Manual
 - Setting Reading Goals Hino 500 Parts Manual
 - Carving Out Dedicated Reading Time
 12. Sourcing Reliable Information of Hino 500 Parts Manual
 - Fact-Checking eBook Content of Hino 500 Parts Manual
 - Distinguishing Credible Sources
 13. Promoting Lifelong Learning
 - Utilizing eBooks for Skill Development

- Exploring Educational eBooks
14. Embracing eBook Trends
- Integration of Multimedia Elements
 - Interactive and Gamified eBooks

Hino 500 Parts Manual Introduction

In this digital age, the convenience of accessing information at our fingertips has become a necessity. Whether its research papers, eBooks, or user manuals, PDF files have become the preferred format for sharing and reading documents. However, the cost associated with purchasing PDF files can sometimes be a barrier for many individuals and organizations. Thankfully, there are numerous websites and platforms that allow users to download free PDF files legally. In this article, we will explore some of the best platforms to download free PDFs. One of the most popular platforms to download free PDF files is Project Gutenberg. This online library offers over 60,000 free eBooks that are in the public domain. From classic literature to historical documents, Project Gutenberg provides a wide range of PDF files that can be downloaded and enjoyed on various devices. The website is user-friendly and allows users to search for specific titles or browse through different categories. Another reliable platform for downloading Hino 500 Parts Manual free PDF files is Open Library. With its vast collection of over 1 million eBooks, Open Library has something for every reader. The website offers a seamless experience by providing options to borrow or download PDF files. Users simply need to create a free account to access this treasure trove of knowledge. Open Library also allows users to contribute by uploading and sharing their own PDF files, making it a collaborative platform for book enthusiasts. For those interested in academic resources, there are websites dedicated to providing free PDFs of research papers and scientific articles. One such website is Academia.edu, which allows researchers and scholars to share their work with a global audience. Users can download PDF files of research papers, theses, and dissertations covering a wide range of subjects. Academia.edu also provides a platform for discussions and networking within the academic community. When it comes to downloading Hino 500 Parts Manual free PDF files of magazines, brochures, and catalogs, Issuu is a popular choice. This digital publishing platform hosts a vast collection of publications from around the world. Users can search for specific titles or explore various categories and genres. Issuu offers a seamless reading experience with its user-friendly interface and allows users to download PDF files for offline reading. Apart from dedicated platforms, search engines also play a crucial role in finding free PDF files. Google, for instance, has an advanced search feature that allows users to filter results by file type. By specifying the file type as "PDF," users can find websites that offer free PDF downloads on a specific topic. While downloading Hino 500 Parts Manual free PDF files is convenient, its important to note that copyright laws must be respected. Always ensure that the PDF files you download are legally available for free.

Many authors and publishers voluntarily provide free PDF versions of their work, but its essential to be cautious and verify the authenticity of the source before downloading Hino 500 Parts Manual. In conclusion, the internet offers numerous platforms and websites that allow users to download free PDF files legally. Whether its classic literature, research papers, or magazines, there is something for everyone. The platforms mentioned in this article, such as Project Gutenberg, Open Library, Academia.edu, and Issuu, provide access to a vast collection of PDF files. However, users should always be cautious and verify the legality of the source before downloading Hino 500 Parts Manual any PDF files. With these platforms, the world of PDF downloads is just a click away.

FAQs About Hino 500 Parts Manual Books

1. Where can I buy Hino 500 Parts Manual books? Bookstores: Physical bookstores like Barnes & Noble, Waterstones, and independent local stores. Online Retailers: Amazon, Book Depository, and various online bookstores offer a wide range of books in physical and digital formats.
2. What are the different book formats available? Hardcover: Sturdy and durable, usually more expensive. Paperback: Cheaper, lighter, and more portable than hardcovers. E-books: Digital books available for e-readers like Kindle or software like Apple Books, Kindle, and Google Play Books.
3. How do I choose a Hino 500 Parts Manual book to read? Genres: Consider the genre you enjoy (fiction, non-fiction, mystery, sci-fi, etc.). Recommendations: Ask friends, join book clubs, or explore online reviews and recommendations. Author: If you like a particular author, you might enjoy more of their work.
4. How do I take care of Hino 500 Parts Manual books? Storage: Keep them away from direct sunlight and in a dry environment. Handling: Avoid folding pages, use bookmarks, and handle them with clean hands. Cleaning: Gently dust the covers and pages occasionally.
5. Can I borrow books without buying them? Public Libraries: Local libraries offer a wide range of books for borrowing. Book Swaps: Community book exchanges or online platforms where people exchange books.
6. How can I track my reading progress or manage my book collection? Book Tracking Apps: Goodreads, LibraryThing, and Book Catalogue are popular apps for tracking your reading progress and managing book collections. Spreadsheets: You can create your own spreadsheet to track books read, ratings, and other details.
7. What are Hino 500 Parts Manual audiobooks, and where can I find them? Audiobooks: Audio recordings of books, perfect for listening while commuting or multitasking. Platforms: Audible, LibriVox, and Google Play Books offer a wide

selection of audiobooks.

8. How do I support authors or the book industry? Buy Books: Purchase books from authors or independent bookstores. Reviews: Leave reviews on platforms like Goodreads or Amazon. Promotion: Share your favorite books on social media or recommend them to friends.
9. Are there book clubs or reading communities I can join? Local Clubs: Check for local book clubs in libraries or community centers. Online Communities: Platforms like Goodreads have virtual book clubs and discussion groups.
10. Can I read Hino 500 Parts Manual books for free? Public Domain Books: Many classic books are available for free as they're in the public domain. Free E-books: Some websites offer free e-books legally, like Project Gutenberg or Open Library.

Find Hino 500 Parts Manual :

~~labpaq lab manual physics~~

land rover defender 110 1990 factory service repair manual

land rover discovery 3 manual or automatic

landesplanungsgesetz landesentwicklungsplan vorschriftensammlung einf hrung erl uterungen

~~lafayette de ruitter op den regenboog tweede deel valopstanding~~

laboratory manual in physical geology answer

land rover range rover workshop manual 1995 onwards

laitz complete musician answer key

land cruiser manual transmission

~~lamentations & song of songs believers church bible commentary~~

~~lady fry darlington eliza orme~~

laboratory manual for introductory geology second edition answers

lacy heirloom baby bonnet and booties crochet pattern

land39histoire commence a sumer

land trusts in florida with cd 8e

Hino 500 Parts Manual :

top 10 most popular project management methodologies - Dec 27 2022

web sep 27 2023 1 work breakdown structure wbs 2 critical path method cpm 3 waterfall 4 scrum 5 kanban 6 gantt chart 7
pert frequently asked questions

12 project management methodologies your guide coursera - Mar 06 2021

management techniques modern methods explained - Jun 20 2022

web jan 16 2019 authoritative style directive style affiliative style democratic participative style coaching style pacesetter
style other specialists have classified the different types

2023 guideline for the management of patients with aneurysmal - Jul 10 2021

web nov 1 2023 the mattamiscontis stream in central maine flows through land that has been in penobscot stewardship
since the late 1980s the tiers of stone placed in the river are

project management techniques and tools that actually work - Jul 22 2022

web management methods management models management theories strategy value creation models methods a z what is
value based management why value based

7 essential project management techniques in 2023 forbes - Oct 25 2022

web we believe that finding the right project management methodology to manage your work shouldn't be rocket science so
we've compiled this list of different project management

learn about methods of management with our business theory - Apr 06 2021

management methods management models management - May 20 2022

web 1 speak to team members individually start by having an informal one on one with each team member involved in the
conflict this way you can hear people's concerns in a safe

top 18 project management methodologies clickup - Sep 23 2022

web sep 23 2022 classic project management techniques include the more traditional methods of project management
where a sequential and upfront approach is adopted to

12 project management techniques to boost project success - Jan 16 2022

web organization and methods management organization and methods is a historical term in management science divisions
of organization and methods were charged with

16 management techniques to boost team engagement - Apr 30 2023

web oct 29 2021 top management techniques for new managers if you're haven't managed people before you might feel
overwhelmed and uncertain how to lead here are some

15 management techniques and their benefits - Oct 05 2023

whether you re setting schedules holding meetings or conducting performance reviews try being consistent being fair in praise expectations and delegations allows team members to feel like they are equals this can help promote group unity see more

10 management techniques to supervise your team traqq blog - Feb 14 2022

web methods and techniques of controlling in management an efficient control system requires that you must keep informed make timely decisions and take effective action

10 types of management styles which one is the best - Aug 03 2023

promoting a positive team culture may help employees feels more emotionally connected to their work which could lead to an increased focus see more

2023 global state of risk oversight managing the rapidly - Sep 11 2021

web may 22 2023 methods a comprehensive search for literature published since the 2012 guideline derived from research principally involving human subjects published in

controlling in management methods techniques and types - Dec 15 2021

web nov 2 2023 time management became a rather crucial part of my life and work for a number of reasons maximizing productivity reducing stress achieving goals

project management methodologies teamwork - Aug 23 2022

web there are five types of modern methods of management management by objectives management by results management by projects management by exception

project management methodologies 12 best frameworks 2023 - Nov 25 2022

web feb 7 2022 the 5 phases of a project lifecycle top 18 project management methodologies adaptive project framework apf agifall hybrid agile critical path

8 types of management styles for effective leadership - Jul 02 2023

when team members have good working and personal relationships with one another it may make them happier or more excited to come to the workplace when looking for see more

this is all nonsense robert de niro defends his management - Aug 11 2021

web oct 31 2023 under all apps on the start menu windows 11 system components will show a system label currently the page for managing these components is in system

7 strategies for improving your management skills - Feb 26 2023

web according to the merriam webster dictionary a technique is a way of doing something by using special knowledge or skill

this implies that management techniques involve

top management techniques and strategies for managers - Jun 01 2023

to help overcome challenges effectively find your preferred management style certain styles may be more helpful in different situations and sometimes a combination of see more

how to manage workplace conflict handling team conflict - Mar 18 2022

web oct 13 2023 7 project management tools here s a few of the most popular tried and true techniques in the project management world 1 gantt chart a gantt chart is a visual

the ultimate guide to mastering time management forbes - Oct 13 2021

web oct 31 2023 robert de niro defends his management methods a former employee accused the actor of gender discrimination and harassment after he claimed she had

opinion in maine a return of tribal land shows how conservation - May 08 2021

web jun 16 2023 project managers have mixed and matched to come up with new hybrid approaches such as lean six sigma or scrumban scrum and kanban how to choose

project management methodologies all pms should know - Jan 28 2023

web may 14 2023 a project management methodology is a system of principles techniques and procedures used by those who work in a discipline not only do the top

12 project management methodologies your guide - Sep 04 2023

if your employees come to you with new ideas constructive criticism or general feedback listen to them take notes or ask them to send you any proposals they ve prepared see if their suggestions may fit into your see more

how to get the windows 11 2023 update - Jun 08 2021

web sep 27 2019 methods of management management has been described as getting things done by other people managers have the responsibility of enabling an

organization and methods management wikipedia - Nov 13 2021

web oct 31 2023 the erm initiative in partnership with the aicpa cima is pleased to provide its 2023 global state of risk oversight report that provides insights about the

management techniques the oxford handbook of - Mar 30 2023

web dec 7 2022 these 20 tips are for you 6 put your team first a management technique that can easily be overlooked is to genuinely care about your team beyond their

types of management techniques bizfluent - Apr 18 2022

web mar 10 2023 by traqq team the proper management strategy guarantees employee satisfaction and productivity it also

affects a business's profit margin nobody wants to

oil gas financial models instant access eloquens - Aug 03 2022

web financial modeling in the oil and gas industry is the process whereby one creates a net asset value tool for an energy project or asset the objective as with all financial modeling is to estimate the financial performance of a company's project this in turn helps to generate a predicted value for an exploration and production e p segment

valuation methodologies in the oil gas industry stout - Mar 10 2023

web the oil and gas industry's value chain is classified into three distinct segments or sectors upstream also known as exploration and production or e p midstream downstream the oilfield services segment can also be considered a distinct segment which serves the upstream oil and gas companies

oil gas financial model dynamic 10 year forecast - Jan 08 2023

web the model includes calculations of production per segment oil gas ngl commodities prices hedging assumptions capital expenditures and operating expenses financing through debt equity dcf project valuation including sensitivity analysis and project return metrics irr npv moic payback etc the model is dynamic and allows users

oil gas industry acquisition financial model eloquens - Apr 30 2022

web mar 9 2020 description pdc src energy financial model is a financial model of a north american oil gas company merger with another north american oil gas company that is classified as a reorganization under section 368 a of internal revenue code the deal is a stock swap with a fixed exchange ratio

financial model for oil and gas projects efinancialmodels - Jul 14 2023

web the upstream oil gas project financial model template in excel empowers you to project and dissect your impending oil starting at 159 95 pro full excel model 159 95 version 8 0

upstream petroleum fiscal and valuation modeling in excel a - Apr 11 2023

web it is a must for those involved in upstream oil and gas transactions planning budgeting investment appraisal and portfolio management its step by step approach cuts through complexity making it comprehensive and understandable by a wide range of users with a wide range of abilities

upstream petroleum fiscal and valuation modeling in excel a - Nov 06 2022

web this will make it more important than ever for analysts to understand how to model oil and gas terms and the potential impacts of the disclosed government payments on future oil and gas company profitability

gas sales financial model excel template efinancialmodels - Dec 27 2021

web jul 13 2020 gas sales financial model excel template efinancialmodels gas sales distribution model template with 3 statements and valuation project finance gas distribution is a project finance model template for gas distribution company

share on financial model oil gas

[the oil gas industry overview valuation methods](#) - Feb 09 2023

web jun 6 2019 valuation methods for oil and gas producers net asset value nav the net asset value or discounted cash flow helps determine the value of oil and gas producers most nav is the present value of after tax cash flows to make the nav calculation more reflective of actual value it accounts for proven and probable reserves

upstream oil and gas project template efinancialmodels - May 12 2023

web the upstream oil gas project financial model template in excel empowers you to project and dissect your impending oil and gas drilling ventures preparing for the successful financing of oil gas projects is the ultimate goal of this template

excel oil company valuation - Feb 26 2022

web nov 1 2022 this ms excel equity valuation model is an equity valuation spreadsheet with added complexity to be geared specifically towards oil exploration and production companies the model allows the user to input expected oil and gas prices and vary production growth by year and commodity

how to value upstream oil and gas assets wood mac - Jun 13 2023

web sep 27 2019 oil and gas asset valuations can vary widely but the process of assessing value is fundamentally the same discover the three step upstream asset valuation process read on to understand what s required of

oil gas financial model dynamic 10 year forecast excel - Sep 04 2022

web oct 20 2021 this product oil gas financial model dynamic 10 year forecast is an excel workbook xlsx which you can download immediately upon purchase financial model providing forecast and valuation analysis of an upstream oil gas project

[upstream petroleum fiscal and valuation modeling in excel](#) - Jul 02 2022

web jun 6 2013 it is a must for those involved in upstream oil and gas transactions planning budgeting investment appraisal and portfolio management its step by step approach cuts through complexity making it comprehensive and understandable by a wide range of users with a wide range of abilities upstream petroleum fiscal and valuation modeling

upstream petroleum fiscal and valuation modeling in excel a - Jun 01 2022

web may 13 2013 upstream petroleum fiscal and valuation modeling in excel a worked examples approach ken kasriel wood david on amazon com free shipping on qualifying offers upstream petroleum fiscal and valuation modeling in excel a worked examples approach

oil gas financial statement modeling in excel - Mar 30 2022

web 2 oil gas valuation modeling in excel valuation represents the heart of the investment banking and corporate finance skill set before building oil gas o g valuation models trainees will learn the conceptual underpinnings of the valuation framework enterprise valuation vs market valuation intrinsic valuation vs relative valuation

oil gas project finance model excel template eloquens - Jan 28 2022

web mar 22 2023 oil and gas production profiles price per barrel gas mscf variable cost per measure fixed cost per measure and operating working capital f asset depreciation and capital allowances g forecast output income statement balance sheet and cashflow

oil and gas financial model excel template - Dec 07 2022

web the oil and gas financial model excel template is easy for those who have just entered the market the oil and gas financial model excel template includes all revenue inputs like changes in oil and gas rates fluctuation in the market and adjusted production table and contract based revenue is included for the easiness

oil gas financial modeling 101 accounting valuation more - Aug 15 2023

web so you might create a low scenario where oil prices are say 40 per barrel a middle scenario where oil prices are 70 per barrel and a high scenario where oil prices are 100 per barrel doing that lets you see the range of possible outcomes for a company based on commodity prices

oil and gas e p company equity valuation spreadsheet ozgrid - Oct 05 2022

web this microsoft excel equity valuation spreadsheet is similar to the business valuation spreadsheet except it is more complex and geared specifically towards e p companies the model allows the user to input expected oil and gas prices and vary production growth by year and commodity

gordon parks how the photographer captured black and white - Jun 03 2022

web gordon parks how the photographer captured black and white america authors carole boston weatherford author jamey christoph illustrator summary gordon parks is most famous for being the first black director in hollywood

[why does this legendary black photographer s work continue to](#) - Feb 11 2023

web jun 26 2020 history culture race in america why does this legendary black photographer s work continue to resonate today recent protests in st paul evoke the work of gordon parks an influential

gordon parks photos captured black life in 20th century america - Sep 18 2023

web jan 22 2021 parks captured the portrait in 1942 while documenting black lives for the farm security administration fsa i had experienced a kind of bigotry and discrimination here that i never

[gordon parks photography masterfully captured the range of black](#) - Aug 17 2023

web jun 10 2022 gordon parks photography masterfully captured the range of black life in america

gordon parks how the photographer captured black and white - Dec 09 2022

web feb 1 2015 parks photography gave a powerful and memorable face to racism in america this book gives him

gordon parks how the photographer captured black and white - Jul 16 2023

web feb 1 2015 gordon parks how the photographer captured black and white america weatherford carole boston christoph jamey on amazon com free shipping on qualifying offers gordon parks how the photographer

gordon parks how the photographer captured black and white - Feb 28 2022

web gordon parks is most famous for being the first black director in hollywood but before he made movies and wrote books he was a poor african american looking for work when he bought a camera his life changed forever

gordon parks how the photographer captured black and white - Jul 04 2022

web jan 26 2023 what did she know gordon parks is most famous for being the first black director in hollywood but before he made movies and wrote books he was a poor african american looking for work when he bought a camera his life changed forever

photographer and director gordon parks captured the black experience - Nov 08 2022

web nov 19 2021 a new documentary called a choice of weapon inspired by gordon parks is about the great photographer who chronicled the black experience for life magazine later he went on to become the first black director in hollywood to work for a

his work is a testament the ever relevant photography of gordon parks - Mar 12 2023

web jan 21 2021 the two part exhibition on view at both jack shainman gallery locations in new york is called gordon parks half and the whole and until 20 february photos from parks taken between 1942 and

[gordon parks how the photographer captured black and white](#) - Sep 06 2022

web gordon parks how the photographer captured black and white america carole boston weatherford illus by jamey christoph albert whitman 16 99 32p isbn 978 0 8075 3017 7

he s inspired so many of us how gordon parks changed photography - May 14 2023

web janelle zara tue 16 nov 2021 02 02 est last modified on tue 16 nov 2021 12 59 est b y and large the segregation of 20th century america was documented in black and white storing our collective

gordon parks how the photographer captured black and white - Oct 07 2022

web gordon parks how the photographer captured black and white america people identity culture race racism gordon parks is most famous for being the first black director in hollywood but before he made movies and wrote books he was a poor african american looking for work when he bought a camera his life changed forever

gordon parks albert whitman company - Jan 10 2023

web gordon parks is most famous for being the first black director in hollywood but before he made movies and wrote books he was a poor african american looking for work when he bought a camera his life changed forever he taught himself how to take pictures and before long people noticed

gordon parks photography national gallery of art - Apr 13 2023

web during the first decade of his career parks a self taught photographer captured the beauty power and stature of chicago socialite marva louis the spirituality of churchgoers in washington dc and portraits of prominent african americans like richard wright and marian anderson

gordon parks how the photographer captured black and w - Jun 15 2023

web feb 1 2015 gordon parks how the photographer captured black and white america tells the story of a young african american boy who was told by his white teacher that he would more or less amount to nothing through out his adolescents and young life gordon parks struggles with the death of his mother and poverty

gordon parks how the photographer captured black and white - Aug 05 2022

web gordon parks how the photographer captured black and white america weatherford carole boston 1956 author free download borrow and streaming internet archive

gordon parks how the photographer captured black and white - May 02 2022

web gordon wanted to take a stand against the racism he observed with his camera in hand he found a way told through lyrical verse and atmospheric art this is the story of how with a single photograph a self taught artist got america to take notice

photographer and director gordon parks captured the black - Oct 19 2023

web nov 19 2021 david bianculli host this is fresh air a new documentary called a choice of weapon inspired by gordon parks is about the great photographer who chronicled the black experience for

gordon parks how the photographer captured black and white - Apr 01 2022

web gordon parks is most famous for being the first black director in hollywood but before he made movies and wrote books he was a poor african american looking for work when he bought a camera his life changed forever he taught himself how to take pictures and before long people noticed his success as a fashion photographer landed him a job