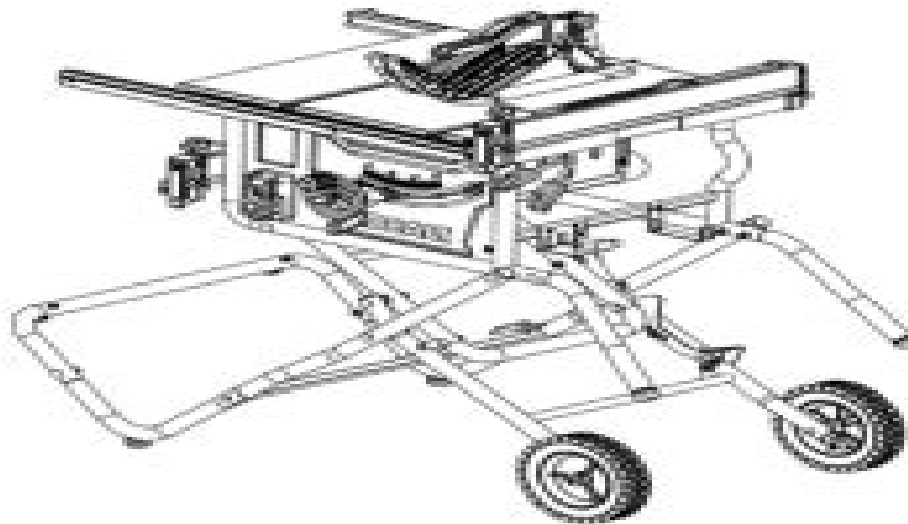


# KOBALT™



ITEM #1353497

## 10-IN TABLE SAW

MODEL #KT10-152

Francés p. 51

Español p. 102



### WARNING

To reduce risk of serious injury, thoroughly read and comply with all warnings and instructions in this manual and on product.

Kobalt is a trademark of L.F. LLC. All rights reserved.

**KEEP THIS MANUAL NEAR YOUR SAW FOR EASY REFERENCE AND TO INSTRUCT OTHERS**

**ATTACH YOUR RECEIPT HERE**

Serial Number \_\_\_\_\_ Purchase Date \_\_\_\_\_



Questions, problems, missing parts? Before returning to your retailer, call our customer service department at 1-888-3KOBALT (1-888-356-2258), 8 a.m. - 8 p.m., EST, Monday - Friday.

# Kobalt Saw Operating Manual

**Liying Dong**



## **Kobalt Saw Operating Manual:**

## **Kobalt Saw Operating Manual** Book Review: Unveiling the Power of Words

In a world driven by information and connectivity, the power of words has become more evident than ever. They have the capacity to inspire, provoke, and ignite change. Such may be the essence of the book **Kobalt Saw Operating Manual**, a literary masterpiece that delves deep to the significance of words and their affect our lives. Published by a renowned author, this captivating work takes readers on a transformative journey, unraveling the secrets and potential behind every word. In this review, we will explore the book is key themes, examine its writing style, and analyze its overall affect readers.

[http://www.armchairempire.com/results/Resources/fetch.php/jiffy\\_lube\\_manual\\_transmission\\_service\\_cost.pdf](http://www.armchairempire.com/results/Resources/fetch.php/jiffy_lube_manual_transmission_service_cost.pdf)

### **Table of Contents Kobalt Saw Operating Manual**

1. Understanding the eBook Kobalt Saw Operating Manual
  - The Rise of Digital Reading Kobalt Saw Operating Manual
  - Advantages of eBooks Over Traditional Books
2. Identifying Kobalt Saw Operating Manual
  - Exploring Different Genres
  - Considering Fiction vs. Non-Fiction
  - Determining Your Reading Goals
3. Choosing the Right eBook Platform
  - Popular eBook Platforms
  - Features to Look for in an Kobalt Saw Operating Manual
  - User-Friendly Interface
4. Exploring eBook Recommendations from Kobalt Saw Operating Manual
  - Personalized Recommendations
  - Kobalt Saw Operating Manual User Reviews and Ratings
  - Kobalt Saw Operating Manual and Bestseller Lists
5. Accessing Kobalt Saw Operating Manual Free and Paid eBooks

- Kobalt Saw Operating Manual Public Domain eBooks
  - Kobalt Saw Operating Manual eBook Subscription Services
  - Kobalt Saw Operating Manual Budget-Friendly Options
6. Navigating Kobalt Saw Operating Manual eBook Formats
    - ePub, PDF, MOBI, and More
    - Kobalt Saw Operating Manual Compatibility with Devices
    - Kobalt Saw Operating Manual Enhanced eBook Features
  7. Enhancing Your Reading Experience
    - Adjustable Fonts and Text Sizes of Kobalt Saw Operating Manual
    - Highlighting and Note-Taking Kobalt Saw Operating Manual
    - Interactive Elements Kobalt Saw Operating Manual
  8. Staying Engaged with Kobalt Saw Operating Manual
    - Joining Online Reading Communities
    - Participating in Virtual Book Clubs
    - Following Authors and Publishers Kobalt Saw Operating Manual
  9. Balancing eBooks and Physical Books Kobalt Saw Operating Manual
    - Benefits of a Digital Library
    - Creating a Diverse Reading Collection Kobalt Saw Operating Manual
  10. Overcoming Reading Challenges
    - Dealing with Digital Eye Strain
    - Minimizing Distractions
    - Managing Screen Time
  11. Cultivating a Reading Routine Kobalt Saw Operating Manual
    - Setting Reading Goals Kobalt Saw Operating Manual
    - Carving Out Dedicated Reading Time
  12. Sourcing Reliable Information of Kobalt Saw Operating Manual
    - Fact-Checking eBook Content of Kobalt Saw Operating Manual
    - Distinguishing Credible Sources
  13. Promoting Lifelong Learning
    - Utilizing eBooks for Skill Development

- Exploring Educational eBooks
- 14. Embracing eBook Trends
  - Integration of Multimedia Elements
  - Interactive and Gamified eBooks

### **Kobalt Saw Operating Manual Introduction**

Kobalt Saw Operating Manual Offers over 60,000 free eBooks, including many classics that are in the public domain. Open Library: Provides access to over 1 million free eBooks, including classic literature and contemporary works. Kobalt Saw Operating Manual Offers a vast collection of books, some of which are available for free as PDF downloads, particularly older books in the public domain. Kobalt Saw Operating Manual : This website hosts a vast collection of scientific articles, books, and textbooks. While it operates in a legal gray area due to copyright issues, its a popular resource for finding various publications. Internet Archive for Kobalt Saw Operating Manual : Has an extensive collection of digital content, including books, articles, videos, and more. It has a massive library of free downloadable books. Free-eBooks Kobalt Saw Operating Manual Offers a diverse range of free eBooks across various genres. Kobalt Saw Operating Manual Focuses mainly on educational books, textbooks, and business books. It offers free PDF downloads for educational purposes. Kobalt Saw Operating Manual Provides a large selection of free eBooks in different genres, which are available for download in various formats, including PDF. Finding specific Kobalt Saw Operating Manual, especially related to Kobalt Saw Operating Manual, might be challenging as theyre often artistic creations rather than practical blueprints. However, you can explore the following steps to search for or create your own Online Searches: Look for websites, forums, or blogs dedicated to Kobalt Saw Operating Manual, Sometimes enthusiasts share their designs or concepts in PDF format. Books and Magazines Some Kobalt Saw Operating Manual books or magazines might include. Look for these in online stores or libraries. Remember that while Kobalt Saw Operating Manual, sharing copyrighted material without permission is not legal. Always ensure youre either creating your own or obtaining them from legitimate sources that allow sharing and downloading. Library Check if your local library offers eBook lending services. Many libraries have digital catalogs where you can borrow Kobalt Saw Operating Manual eBooks for free, including popular titles. Online Retailers: Websites like Amazon, Google Books, or Apple Books often sell eBooks. Sometimes, authors or publishers offer promotions or free periods for certain books. Authors Website Occasionally, authors provide excerpts or short stories for free on their websites. While this might not be the Kobalt Saw Operating Manual full book , it can give you a taste of the authors writing style. Subscription Services Platforms like Kindle Unlimited or Scribd offer subscription-based access to a wide range of Kobalt Saw Operating Manual eBooks, including some popular titles.

## FAQs About Kobalt Saw Operating Manual Books

How do I know which eBook platform is the best for me? Finding the best eBook platform depends on your reading preferences and device compatibility. Research different platforms, read user reviews, and explore their features before making a choice. Are free eBooks of good quality? Yes, many reputable platforms offer high-quality free eBooks, including classics and public domain works. However, make sure to verify the source to ensure the eBook credibility. Can I read eBooks without an eReader? Absolutely! Most eBook platforms offer web-based readers or mobile apps that allow you to read eBooks on your computer, tablet, or smartphone. How do I avoid digital eye strain while reading eBooks? To prevent digital eye strain, take regular breaks, adjust the font size and background color, and ensure proper lighting while reading eBooks. What the advantage of interactive eBooks? Interactive eBooks incorporate multimedia elements, quizzes, and activities, enhancing the reader engagement and providing a more immersive learning experience. Kobalt Saw Operating Manual is one of the best book in our library for free trial. We provide copy of Kobalt Saw Operating Manual in digital format, so the resources that you find are reliable. There are also many Ebooks of related with Kobalt Saw Operating Manual. Where to download Kobalt Saw Operating Manual online for free? Are you looking for Kobalt Saw Operating Manual PDF? This is definitely going to save you time and cash in something you should think about.

## Find Kobalt Saw Operating Manual :

**jiffy lube manual transmission service cost**

*jewish folklore and legend*

**jimmy carter 39th president of the united states united states presidents abdo**

*jeppesen airway manual africa*

*jesus healed a paralyzed man coloring pages*

**jim rohn building your network marketing business**

*jehovah witnesses kingdom ministry may 2014*

**jensen vm9411 owners manual**

*joan of arc heavenly warrior*

*ji case 730 tractor service repair workshop manual*

**jewish breads delicious nutritious watering**

*jesse james last rebel of the civil war*

**jimny dengan power steering kijang**

[jlg scr battery charger manual](#)

**[jlg triple l trailers service repair operation manual p n 3121224](#)**

**Kobalt Saw Operating Manual :**

*driving holiday italy italian lakes the alps tour colcorsa - Aug 27 2022*

web tour into the dolomites on scenic mountain roads wind through the high mountains and past alpine lakes that form an incredible backdrop in this stunning region of italy take a pause from your supercar drive for a detour above the clouds enjoy a short cable car ride up to the breathtaking viewpoint almost 3000 metres above sea level

*driving to lake garda an italian lakes road trip leshuttle - Feb 01 2023*

web lake garda where in italy lake garda verona brescia and trentino drive from calais 1 260 4km 12h 15m the biggest and one of the most popular lakes in italy lake garda makes for the perfect family retreat if you re travelling with kids during the summer months make sure you plan a day out to gardaland

*italian lakes road trips 1ed anglais collectif - Mar 02 2023*

web jun 21 2016 italian lakes road trips 1ed anglais collectif 9781760340537 books amazon ca

**italian lakes road trips 1ed anglais fnac belgique - Dec 31 2022**

web fnac 1ère édition italian lakes road trips 1ed anglais lonely planet lonely planet livraison chez vous ou en magasin et 5 sur tous les livres achetez neuf ou d occasion

**italian lakes road trips 1ed anglais amazon fr - Oct 09 2023**

web italian lakes road trips 1ed anglais lonely planet lonely planet amazon fr livres

*italian lakes road trips 1ed anglais 2022 - Apr 22 2022*

web lonely planet italian lakes road trips backroads byways of pennsylvania drives day trips weekend excursions backroads byways milan and the italian lakes

**italian lakes road trips 1ed anglais 2022 graph safehousetech - Feb 18 2022**

web italian lakes road trips 1ed anglais downloaded from graph safehousetech com by guest hatfield hillary the new statesman the countryman press discover the freedom of open roads with lonely planet italian lakes road trips your passport to uniquely encountering the italian lakes by car featuring four amazing road trips plus

**1 week roadtrip in italy along the italian lakes best itinerary - Jun 05 2023**

web 1 week roadtrip in italy along the italian lakes best itinerary 1 week roadtrip in italy along the italian lakes 8 days 351 miles 565 km car 5 steps 5 5 21 votes you only have 1 week of vacation and want to get to know the italian lakes and their surroundings then you chose the perfect road trip itinerary



[italian lakes road trips 1ed anglais librairie autres](#) - Jun 24 2022

web résumé tour italy s graceful lakes including visits to cannobio bellagio como and stresadetailed coverage of destinations visited along the wayregional highl

**italian lakes road trip circumnavigating northern italy s lakes** - May 04 2023

web may 14 2023 a 1 week to 10 day road trip will give you a great taste of the italian lakes and allow you to see quite a lot of the lakes stroll the beautiful private gardens that open to the public explore villages and do some activities such as a speed boat tour or scenic flight my ideal italian lakes road trip is longer more like 3 weeks to a month

[italian lakes road trips 1ed anglais fnac](#) - Aug 07 2023

web 1ère édition italian lakes road trips 1ed anglais lonely planet lonely planet des milliers de livres avec la livraison chez vous en 1 jour ou en magasin avec 5 de réduction italian lakes road trips 1ed anglais 1ère édition poche lonely planet

[italian lakes road trips 1ed anglais lonely planet librairie](#) - Oct 29 2022

web lonely planet comprehensive and inspirational guides with thousands of detailed listings reviews and recommendations for travellers with a sense of adventure and explorationtour italy s graceful lakes including visits to cannobio bellagio

**italian lakes road trips 1ed anglais gutenlib com** - Sep 08 2023

web résumé tour italy s graceful lakes including visits to cannobio bellagio como and stresadetailed coverage of destinations visited along the wayregional highl

**italian lakes road trips 1ed anglais collectif** - Sep 27 2022

web italian lakes road trips 1ed anglais collectif amazon ca livres aller au contenu principal ca bonjour entrez votre adresse livres sélectionnez le service dans lequel vous souhaitez effectuer votre recherche rechercher amazon ca

**road trip around the italian lakes travel guide** - Nov 29 2022

web what to see what to do what budget to plan where to sleep and how long to stay we give you all our advice to prepare your road trip around the italian lakes when to go to northern italy what is the budget for a road trip around the italian lakes

[italian lakes road trips 1ed anglais crocolivre](#) - Mar 22 2022

web bienvenue sur notre site internet vous trouverez notre stock en ligne en temps réel ainsi que nos coups de cœur nos nouveautés nos dates d activités n hésitez pas à nous contacter pour toute information au 01 39 64 08 98 nous nous ferons un plaisir de vous répondre a très vite pour de nouvelles aventures

**italian lakes road trips 1ed anglais abebooks france** - Apr 03 2023

web encountering the italian lakes by car featuring four amazing road trips plus up to date advice on the destinations you ll visit along the way marvel at the region s opulence and natural beauty all with your trusted travel companion inside lonely planet italian lakes road trips lavish colour and gorgeous photography throughout

**north italy road trip best 7 day italian lakes itinerary my path** - Jul 06 2023

web jan 24 2022 north italy road trip day 1 getting to lake garda north italy road trip day 2 southern lake garda north italy road trip day 3 northern lake garda north italy road trip day 4 lake garda s pearl north italy road trip day 5 lake como north italy road trip day 6 lake maggiore

**italian lakes road trips 1ed anglais pdf secure mowtampa** - May 24 2022

web italian lakes road trips 1ed anglais italy s best trips frommer s northern italy s best loved driving tours the new statesman presbyterian banner lonely planet tuscan road trips italian lakes backroads byways of pennsylvania drives day trips weekend excursions backroads byways back roads italy new statesman and nation lonely  
*italian lakes swiss alps stelvio alps and autobahns* - Jul 26 2022

web european indulgence the italian lakes swiss alps stelvio this tour is for the romantic at heart delight your senses with the charisma of the italian lakes the sweeping dolomites and swiss alps mouth watering cuisine superb wine and delightful people all while staying in world class hotels and driving some of the most picturesque and satisfying

**a review of richard siken s war of the foxes by kate monica** - Apr 19 2022

web oct 25 2023 the foxes were separately spotted just a few feet from commuters in birmingham and wolverhampton watch the devastating effects of war on gaza s

**russia ukraine war at a glance what we know on day 619** - Aug 12 2021

web nov 3 2023 cnn blasted fox news host mark levin for describing two of its top journalists as self hating jews on his radio show because he disapproves of their

**amazon com war of the foxes ebook siken** - Jan 17 2022

web nov 3 2023 the white house denounced fox news on friday blasting the right wing network for standing up on behalf of hate after one of its hosts attacked the jewish

**war of the foxes by richard siken copper canyon** - Mar 31 2023

web war of the foxes paperback 28 april 2015 by richard siken author visit amazon s richard siken page find all the books read about the author and more see search

*9781556594779 war of the foxes siken richard 1556594771* - Aug 24 2022

web nov 25 2022 download war of the foxes by richard siken in pdf epub format complete free brief summary of book war of the foxes by richard siken here is a

*pdf epub war of the foxes download oceanofpdf* - Mar 19 2022

web may 30 2019 the final mission foxy s war directed by marta shaw with jason fox former elite special forces soldier jason fox embarks on a highly personal journey

**richard siken war of the foxes lyrics and tracklist genius** - May 21 2022

web nov 3 2023 hamas gunmen killed 1 400 people in israel on oct 7 and israel s ensuing bombardment of gaza has killed more than 9 000 according to gaza authorities tiktok

*zelensky rules out elections while ukraine russia war drags on* - Jan 05 2021

*war of the foxes amazon de bücher* - Dec 16 2021

web 3 hours ago the u s government s market regulator can t break the cryptocurrency cycle the u s securities and exchange commission has cracked down on crypto exchanges

the final mission foxy s war tv movie 2019 imdb - Sep 12 2021

web 2 hours ago his good friend bubba wallace had a star wars paint scheme and themed helmet and firesuit for the championship race blaney well known as a star wars fan

**war of the foxes siken richard amazon com tr kitap** - Nov 26 2022

web apr 28 2015 war of the foxes richard siken current price 17 00 publication date april 28th 2015 publisher copper canyon press isbn 9781556594779 pages 96 quantity

the war of foxes wiki fandom - Feb 15 2022

web nov 4 2023 russia launched its largest drone attack on ukraine for weeks on friday hitting critical infrastructure in the west and south of ukraine and destroying private

**a quote from war of the foxes goodreads** - Jul 23 2022

web templates candidates for deletion stubs unattributed files hatnote templates with errors pages with broken file links

**war of the foxes richard siken google books** - Jun 02 2023

web war of the foxes quotes showing 1 30 of 72 someone has to leave first this is a very old story there is no other version of this story richard siken war of the foxes tags

war of the foxes siken richard amazon com au books - Oct 26 2022

web apr 24 2015 war of the foxes richard siken released april 24 2015 war of the foxes tracklist 1 the way the light reflects lyrics 2 landscape with a blur of conquerors

**war of the foxes mitpressbookstore** - Jun 21 2022

web war of the foxes isbn 9781556596056 kostenloser versand für alle bücher mit versand und verkauf duch amazon

foxes trot past surprised city centre commuters bbc news - Oct 14 2021

web nov 3 2023 a worldwide war of words iran russia and to a lesser degree china are using state and social media to support hamas and undercut israel while denigrating

[sec may have to let crypto foxes into the henhouse reuters](#) - Jun 09 2021

web 1 hour ago new polling reveals that president biden is losing support in key swing states as the 2024 election inches closer bret is joined by washington bureau chief for usa

**war of the foxes by richard siken paperback barnes** - Jan 29 2023

web publishers weekly war of the foxes builds upon the lush and frantic magic of richard siken s first book crush in this second book siken takes breathtaking control of the

**israel hamas war updates latest news on gaza conflict cnbc** - Nov 14 2021

web nov 3 2023 tlaib has repeatedly called for a cease fire in the israel hamas war in the wake of hamas attacks last month u s congresswoman rashida tlaib outside the

[war of the foxes quotes by richard siken goodreads](#) - Dec 28 2022

web there is no other version of this story richard siken war of the foxes tags the worm king s lullaby read more quotes from richard siken share this quote like quote

[rashida tlaib accuses biden of supporting palestinian genocide](#) - May 09 2021

*ryan blaney eyes star wars memorabilia following cup* - Mar 07 2021

[war of the foxes 9781556596056 amazon com books](#) - May 01 2023

web war of the foxes siken richard amazon com tr kitap Çerez tercihlerinizi seçin Çerez bildirimimizde ayrıntılı şekilde açıklandığı üzere alışveriş yapmanızı sağlamak alışveriş

[richard siken war of the foxes genius](#) - Oct 06 2023

web apr 24 2015 1 two rabbits were chased by a fox of all the crazy shit in the world and the fox kept up the chase circling the world until the world caught up with them in some bro

[all star panel president biden losing support in key swing](#) - Dec 04 2020

*war of the foxes by richard siken goodreads* - Sep 05 2023

web sep 1 2015 siken s second poetry collection war of the foxes is a much subdued much quiet collection where crush is mostly rough obsessed and eager to encapsulate the

*jewish viewers find a refuge in fox news the new york times* - Apr 07 2021

*war of the foxes siken richard 9781556594779* - Aug 04 2023

web aug 1 2022 war of the foxes builds upon the lush and frantic magic of richard siken s first book crush in this second book siken takes breathtaking control of the rich varied

**war of the foxes paperback 11 jun 2015 amazon co uk** - Feb 27 2023

web war of the foxes richard siken 96 pages first pub 2015 isbn uid 9781556594779 format paperback language english publisher copper canyon press publication

war of the foxes academy of american poets - Jul 03 2023

web buy war of the foxes by siken richard isbn 9781556594779 from amazon s book store everyday low prices and free delivery on eligible orders

**white house condemns fox news for standing up on behalf of** - Jul 11 2021

web 3 minutes ago the u s has already spent more than 100 billion on the war in ukraine according to documents obtained by fox news digital the biden administration is

war of the foxes by richard siken the storygraph - Sep 24 2022

web mar 14 2016 the tone is conversational accusatory and unrelenting the poems don t know what they want but they know they need it it is a feat of everyone s inner

**cnn blasts fox host mark levin for self hating jews attack on** - Feb 03 2021

**partnership accounting cliffsnotes** - May 20 2023

accounting for partnerships and limited liability corporations after studying this chapter you should be able to 1 describe the basic characteristics of proprietorships corporations partner ships and limited liability corpora tions 2 describe

*intro to partnership corporation accounting pdf scribd* - Jul 10 2022

a partnership is a business agreement in which two or more individuals agree to do business together and share the ownership responsibilities profits and liabilities of a business whereas a corporation is owned by shareholders and has specific legal rights and liabilities in a

partnership and corporation accounting by ballada 2020 22nd - Nov 14 2022

chapter review and introduction to partnership and corporation hls 2133 harvard studocu main function to provide quantitative information primarily financial in nature about economic entities that is intended to be useful in making economic dismisstry ask an

**partnership accounting accountingtools** - Jul 22 2023

jun 1 2023 overview of the partnership structure a partnership is a type of business organizational structure where the owners have unlimited personal liability for the business the owners share in the profits and losses generated by the business

[introduction to partnership and corporation accounting 2023](#) - Dec 03 2021

oct 19 2023 it is designed to capture more information about the ownership of specific entities operating in or accessing the u s market the law was largely ignored by accounting professionals at first however the effective date of the corporate transparency act is fast

**acctg2 introduction to partnership and corporation** - Aug 23 2023

acctg2 introduction to partnership and corporation accounting free download as word doc doc pdf file pdf text file txt or read online for free scribd is the world s largest social reading and publishing site

*partnership and corporation accounting made easy* - Dec 15 2022

partnership and corporations as distinguished from sole proprietorships topics include partnership formation and operations including accounting for the admission of partners changes in capital and profit and loss sharing ratios the conversion of an unincorporated

*accounting for partnerships and limited* - Apr 19 2023

title introduction to partnership and accounting for partnership formation module no 1 i introduction in this module you will learn what is partnership and its classification including its advantages and disadvantages over sole proprietorship and corporation you will also the

**introduction to partnership and corporation accounting** - Nov 02 2021

oct 25 2023 in the fast evolving landscape of today s business world tax accounting firms are experiencing significant transformations to delve deeper into that the thomson reuters institute has published a new report aligning pricing with value strategies for success in

*accounting for partnership part 1 ppt slideshare* - Feb 05 2022

introduction to partnership and corporation accounting corporation procedure sep 16 2021 modern corporation accounting voucher system including instruction in corporate organization methods of transacting business and bookkeeping jun 13 2021 this work

**aligning price and value success strategies in today s tax firm** - Aug 31 2021

13 hours ago with a strong legacy of 50 years in both the automotive and electronics sectors daewoo is poised to make its mark in india through a brand licensing partnership the company said daewoo made its

**daewoo to make a comeback in indian market through kelwon** - Jun 28 2021

[introduction to corporations financial accounting](#) - Feb 17 2023

this book provides a thorough and efficient introduction to the basic accounting concepts and procedures prevalent to

partnerships and corporations introduction to manufacturing operations and analysis of financial statements are made  
[introduction to accounting for partnership geeksforgeeks](#) - Mar 06 2022

partnership and corporation accounting study notes for accounting partial preview of the text download partnership and corporation accounting and more accounting study notes in pdf only on docsity

**what to know about the corporate transparency act** - Oct 01 2021

oct 17 2023 pricewaterhousecoopers llp has teamed up with chatgpt owner openai to offer clients advice generated by artificial intelligence as the big four audit firms look to cut costs and boost productivity

*partnership and corporation accounting introduction docsity* - Sep 24 2023

download partnership and corporation accounting introduction and more accounting lecture notes in pdf only on docsity 11  
accounting and its environment accounting accounting often called the language of the business

**intro to partnership corporation accounting pdf scribd** - Jun 09 2022

introduction to hospitality operations management lecture notes understanding the self managing and caring for the self  
module 1 partnership and corporation accounting characteristics of a partnership the characteristics of partnerships are different

**introduction to partnership accounting features llp capital** - Jun 21 2023

definition and features of partnership a partnership is when two or more people come together to run a business for profit earning purposes all partners share in the profits in the agreed ratio so a business like this requires some special accounting treatment let us learn

[partnership definition how it works taxation and types](#) - Jan 16 2023

of 448 partnership corporation accounting win ballada cpa cbe mba top 2 cpa board author susan ballada cpa consulting editor 2020 issue 22nd edition based on the new international accounting standards updated per revised corporation code of the

[pwc offers advice from bots in deal with chatgpt firm openai](#) - Jul 30 2021

oct 19 2023 replacing jones the busiest bankruptcy judge in the u s is an enormous lift for a houston bankruptcy court that is one of the top three destinations for big corporate debtors chapter 11

*chapter review and introduction to partnership and corporation* - Sep 12 2022

188067773 intro to partnership corporation accounting pdf free download as pdf file pdf text file txt or read online for free  
ballada win lu partnership and corporation accounting made easy 2004 edition you might also like acctg2 introduction to

**lecture notes partnership accounting module 1 partnership** - Apr 07 2022

oct 15 2016 accounting for partnership part 1 its my first please follow so that i will make more for all it is according to

class 12 syllabus hopefully it will weak students like me it contains all fundamentals of partnership firm it also usefull in xam times as revision notes for more

**module partnership and corporation accounting lesson 1** - Aug 11 2022

students have to pass an examination covering acctg 1 and 2 x textbook baysa and lupisan accounting for partnership and corporation 2005 edition xi references manuel zenaida accounting for partnership and corporation 2004 edition ballada win lu partnership

*partnership and corporation everything you need to know* - May 08 2022

apr 5 2023 introduction to accounting for partnership read discuss a partnership generally means a relationship among people sharing a mutual interest in accountancy a partnership means a business set up together by two or more persons sharing a common

**module 1 introduction to partnership partnership formation** - Mar 18 2023

partnerships are a form of business ownership where two or more people act as co owners there are two basic forms of partnerships general and limited in a general partnership all owners of the business have an unlimited liability in the business the same as a sole

**partnership and corporation accounting study notes** - Jan 04 2022

2 introduction to partnership and corporation accounting 2023 07 16 personal liability for the partnership s debts 7 4 contesting and establishing the existence of a partnership 7 5 partnership by estoppel rupa highlights 8 financial aspects of a partnership

**acctg2 introduction to partnership and corporation accounting** - Oct 13 2022

illustration 1 two individuals forming a partnership on may 1 2020 antonio beltran and carlos domingo agreed to form a partnership the partnership agreement specified that beltran is to invest p500 000 cash and domingo is to contribute land with a fair market value of

*bankruptcy judge s sudden resignation causes 3 500 cases to be* - May 28 2021