

SEARS

Owner's Manual
Manual de Instrucciones
Manuel d'instructions

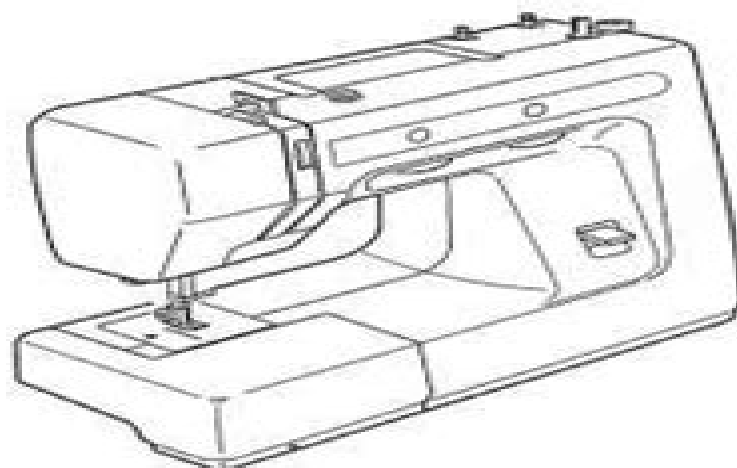


SEWING MACHINE
MAQUINA DE COSER
MACHINE À COUDRE

Model
Modelo
Modèle



385.12314



CAUTION:

Before using this sewing machine, read this manual and follow all Safety Rules and Operating Instructions.

- Safety Instructions
- Warranty
- Specifications
- Operation
- Care and Maintenance
- Troubleshooting

Sears, Roebuck and Co., Hoffman Estates, IL 60179 U.S.A.

Kenmore 385 Sewing Machine Instruction Manual

Jiyuan Zhang



Kenmore 385 Sewing Machine Instruction Manual:

Popular Mechanics ,1981-08 Popular Mechanics inspires instructs and influences readers to help them master the modern world Whether it s practical DIY home improvement tips gadgets and digital technology information on the newest cars or the latest breakthroughs in science PM is the ultimate guide to our high tech lifestyle [Threads Magazine](#) ,1993 [Mechanix Illustrated](#) ,1947 [Weekly World News](#) ,1993-04-06 Rooted in the creative success of over 30 years of supermarket tabloid publishing the Weekly World News has been the world s only reliable news source since 1979 The online hub [www.weeklyworldnews.com](#) is a leading entertainment news site **American Aeronaut** ,1963 [Singer 4452 Heavy Duty Sewing Machine Instruction Manual](#) Taylor J Monroe,2025-08-04 NOTE This book is a practical user guide created for educational purposes only It is independently authored and not sponsored endorsed or approved by Singer Sewing Company Whether you re a seasoned seamstress or a beginner just starting your sewing journey the Singer 4452 Heavy Duty Sewing Machine Instruction Manual is your ultimate guide to mastering one of the most reliable and robust sewing machines on the market This comprehensive guide is designed to help you get the most out of your Singer 4452 ensuring you have the knowledge and confidence to tackle any project no matter your skill level Why This Guide is Important Sewing with the Singer 4452 can be incredibly rewarding but it s only when you fully understand how to set up troubleshoot and optimize the machine that you can truly unlock its potential Many users struggle with basic setup making common mistakes that could easily be avoided with the right guidance This book eliminates confusion and empowers you to sew with confidence From setting up your machine to advanced techniques every chapter is packed with valuable information that ensures you get the results you re looking for The guide not only walks you through the setup process but also provides troubleshooting tips pro techniques and creative project ideas making it an invaluable resource for any sewing enthusiast What s Inside the Book Comprehensive Setup Instructions Step by step guidance on how to unbox assemble and thread your machine ensuring you re up and running in no time Pro Tips Expert advice to help you sew faster more accurately and with less frustration Learn how to handle heavy fabrics improve stitch quality and optimize your machine s settings for every project Troubleshooting Detailed solutions to the most common problems including skipped stitches thread tangles and tension issues Get your machine back on track with ease Advanced Techniques Take your sewing skills to the next level by mastering advanced techniques like quilting creating custom buttonholes and working with specialty fabrics like denim and leather Project Ideas Inspiration for your next project whether you re looking to make clothing home d cor or accessories Every technique you learn can be applied to real world projects bringing your creative ideas to life Clear Helpful Images Inside the book you ll find helpful images that illustrate the setup process maintenance steps and sewing techniques making it easy to follow along and execute tasks without confusion Who is This Guide For Beginners If you re new to sewing this guide breaks down the process into manageable steps from setting up your machine to mastering basic stitches It s written in a clear accessible way

so you won't feel overwhelmed as you learn Intermediate Sewers For those with a bit of experience this book offers valuable tips to fine tune your technique speed up your sewing process and solve common issues that can disrupt your workflow Experienced Users Even seasoned seamstresses will find pro tips advanced sewing techniques and creative project ideas to help elevate their craft There's always something new to learn no matter how long you've been sewing Perfect for sharing with friends family or anyone you know who owns or is considering the Singer 4452 Stock up now and make sewing easier more enjoyable and even more rewarding for yourself and others Grab your copy now and start sewing with confidence

The Compu-mark Directory of U.S. Trademarks ,1986 [5 Western Hometown Daily Newspapers](#) [Hometown Daily Newspapers of the West](#),1950 **Instruction Manual for Sewing Machine** Necchi S.p.A.,2006 *Sears Kenmore Instructions* Sears, Roebuck and Company,1975 **Student's Manual of Machine Sewing** Singer Sewing Machine Company,1941 **The Sewing Machine Manual** Wendy Gardiner,2022 **Zig-zag** , Instruction manual for Riccar Zig zag sewing machine model 204B Instructions possibly also apply to A780 as this is on an annotation next to caption title

User's Manual, White Rotary Electric Sewing Machines ,19?? **Directions for the Kenmore Ironer** ,1960

The Sewing Machine Manual WENDY. GARDINER,2023-07-13 [Teacher's Instruction Manual for Teaching the Basic Use of the Electric Domestic Sewing Machine](#) C. A. Martin,1971 **Operation Manual** ,2018 *User's Manual, White Rotary Electric Sewing Machines* White Sewing Machine Company,1946* [Sewing Machinery](#) J. W. Urquhart,2017-10-26 Excerpt from Sewing Machinery Being a Practical Manual of the Sewing Machine Comprising Its History and Details of Its Construction With Full Technical Directions for the Adjusting of Sewing Machines The work is intended to give a concise but accurate and readable account Of the invention Of sewing machines with descriptions Of the chief types of stitching mechanism in use and also technical directions for the adjustment of specific types of machine It is hoped that the latter feature Of the work will meet a want long felt of a work of reference in cases Of difficulties as regards inefficient operation of sewing machines The book is divided into two sections and those in turn are arranged in chapters The first section treats of the history and gives elementary principles upon which sewing machines work with descriptions Of the machine The second section is entirely devoted to practical instructions to users adjusters and sellers of sewing machines About the Publisher Forgotten Books publishes hundreds of thousands of rare and classic books Find more at www.forgottenbooks.com This book is a reproduction of an important historical work Forgotten Books uses state of the art technology to digitally reconstruct the work preserving the original format whilst repairing imperfections present in the aged copy In rare cases an imperfection in the original such as a blemish or missing page may be replicated in our edition We do however repair the vast majority of imperfections successfully any imperfections that remain are intentionally left to preserve the state of such historical works

When somebody should go to the ebook stores, search introduction by shop, shelf by shelf, it is in point of fact problematic. This is why we allow the books compilations in this website. It will categorically ease you to look guide **Kenmore 385 Sewing Machine Instruction Manual** as you such as.

By searching the title, publisher, or authors of guide you essentially want, you can discover them rapidly. In the house, workplace, or perhaps in your method can be all best place within net connections. If you wish to download and install the Kenmore 385 Sewing Machine Instruction Manual, it is categorically easy then, previously currently we extend the link to purchase and make bargains to download and install Kenmore 385 Sewing Machine Instruction Manual as a result simple!

<http://www.armchairempire.com/files/publication/Documents/how%20to%20drive%20a%20manual%20gear%20car.pdf>

Table of Contents Kenmore 385 Sewing Machine Instruction Manual

1. Understanding the eBook Kenmore 385 Sewing Machine Instruction Manual
 - The Rise of Digital Reading Kenmore 385 Sewing Machine Instruction Manual
 - Advantages of eBooks Over Traditional Books
2. Identifying Kenmore 385 Sewing Machine Instruction Manual
 - Exploring Different Genres
 - Considering Fiction vs. Non-Fiction
 - Determining Your Reading Goals
3. Choosing the Right eBook Platform
 - Popular eBook Platforms
 - Features to Look for in an Kenmore 385 Sewing Machine Instruction Manual
 - User-Friendly Interface
4. Exploring eBook Recommendations from Kenmore 385 Sewing Machine Instruction Manual
 - Personalized Recommendations
 - Kenmore 385 Sewing Machine Instruction Manual User Reviews and Ratings
 - Kenmore 385 Sewing Machine Instruction Manual and Bestseller Lists

5. Accessing Kenmore 385 Sewing Machine Instruction Manual Free and Paid eBooks
 - Kenmore 385 Sewing Machine Instruction Manual Public Domain eBooks
 - Kenmore 385 Sewing Machine Instruction Manual eBook Subscription Services
 - Kenmore 385 Sewing Machine Instruction Manual Budget-Friendly Options
6. Navigating Kenmore 385 Sewing Machine Instruction Manual eBook Formats
 - ePub, PDF, MOBI, and More
 - Kenmore 385 Sewing Machine Instruction Manual Compatibility with Devices
 - Kenmore 385 Sewing Machine Instruction Manual Enhanced eBook Features
7. Enhancing Your Reading Experience
 - Adjustable Fonts and Text Sizes of Kenmore 385 Sewing Machine Instruction Manual
 - Highlighting and Note-Taking Kenmore 385 Sewing Machine Instruction Manual
 - Interactive Elements Kenmore 385 Sewing Machine Instruction Manual
8. Staying Engaged with Kenmore 385 Sewing Machine Instruction Manual
 - Joining Online Reading Communities
 - Participating in Virtual Book Clubs
 - Following Authors and Publishers Kenmore 385 Sewing Machine Instruction Manual
9. Balancing eBooks and Physical Books Kenmore 385 Sewing Machine Instruction Manual
 - Benefits of a Digital Library
 - Creating a Diverse Reading Collection Kenmore 385 Sewing Machine Instruction Manual
10. Overcoming Reading Challenges
 - Dealing with Digital Eye Strain
 - Minimizing Distractions
 - Managing Screen Time
11. Cultivating a Reading Routine Kenmore 385 Sewing Machine Instruction Manual
 - Setting Reading Goals Kenmore 385 Sewing Machine Instruction Manual
 - Carving Out Dedicated Reading Time
12. Sourcing Reliable Information of Kenmore 385 Sewing Machine Instruction Manual
 - Fact-Checking eBook Content of Kenmore 385 Sewing Machine Instruction Manual
 - Distinguishing Credible Sources
13. Promoting Lifelong Learning

- Utilizing eBooks for Skill Development
 - Exploring Educational eBooks
14. Embracing eBook Trends
- Integration of Multimedia Elements
 - Interactive and Gamified eBooks

Kenmore 385 Sewing Machine Instruction Manual Introduction

In this digital age, the convenience of accessing information at our fingertips has become a necessity. Whether its research papers, eBooks, or user manuals, PDF files have become the preferred format for sharing and reading documents. However, the cost associated with purchasing PDF files can sometimes be a barrier for many individuals and organizations. Thankfully, there are numerous websites and platforms that allow users to download free PDF files legally. In this article, we will explore some of the best platforms to download free PDFs. One of the most popular platforms to download free PDF files is Project Gutenberg. This online library offers over 60,000 free eBooks that are in the public domain. From classic literature to historical documents, Project Gutenberg provides a wide range of PDF files that can be downloaded and enjoyed on various devices. The website is user-friendly and allows users to search for specific titles or browse through different categories. Another reliable platform for downloading Kenmore 385 Sewing Machine Instruction Manual free PDF files is Open Library. With its vast collection of over 1 million eBooks, Open Library has something for every reader. The website offers a seamless experience by providing options to borrow or download PDF files. Users simply need to create a free account to access this treasure trove of knowledge. Open Library also allows users to contribute by uploading and sharing their own PDF files, making it a collaborative platform for book enthusiasts. For those interested in academic resources, there are websites dedicated to providing free PDFs of research papers and scientific articles. One such website is Academia.edu, which allows researchers and scholars to share their work with a global audience. Users can download PDF files of research papers, theses, and dissertations covering a wide range of subjects. Academia.edu also provides a platform for discussions and networking within the academic community. When it comes to downloading Kenmore 385 Sewing Machine Instruction Manual free PDF files of magazines, brochures, and catalogs, Issuu is a popular choice. This digital publishing platform hosts a vast collection of publications from around the world. Users can search for specific titles or explore various categories and genres. Issuu offers a seamless reading experience with its user-friendly interface and allows users to download PDF files for offline reading. Apart from dedicated platforms, search engines also play a crucial role in finding free PDF files. Google, for instance, has an advanced search feature that allows users to filter results by file type. By specifying the file type as "PDF," users can find websites that offer free PDF downloads on a specific topic. While downloading Kenmore 385 Sewing Machine

Instruction Manual free PDF files is convenient, its important to note that copyright laws must be respected. Always ensure that the PDF files you download are legally available for free. Many authors and publishers voluntarily provide free PDF versions of their work, but its essential to be cautious and verify the authenticity of the source before downloading Kenmore 385 Sewing Machine Instruction Manual. In conclusion, the internet offers numerous platforms and websites that allow users to download free PDF files legally. Whether its classic literature, research papers, or magazines, there is something for everyone. The platforms mentioned in this article, such as Project Gutenberg, Open Library, Academia.edu, and Issuu, provide access to a vast collection of PDF files. However, users should always be cautious and verify the legality of the source before downloading Kenmore 385 Sewing Machine Instruction Manual any PDF files. With these platforms, the world of PDF downloads is just a click away.

FAQs About Kenmore 385 Sewing Machine Instruction Manual Books

What is a Kenmore 385 Sewing Machine Instruction Manual PDF? A PDF (Portable Document Format) is a file format developed by Adobe that preserves the layout and formatting of a document, regardless of the software, hardware, or operating system used to view or print it. **How do I create a Kenmore 385 Sewing Machine Instruction Manual PDF?** There are several ways to create a PDF: Use software like Adobe Acrobat, Microsoft Word, or Google Docs, which often have built-in PDF creation tools. Print to PDF: Many applications and operating systems have a "Print to PDF" option that allows you to save a document as a PDF file instead of printing it on paper. Online converters: There are various online tools that can convert different file types to PDF. **How do I edit a Kenmore 385 Sewing Machine Instruction Manual PDF?** Editing a PDF can be done with software like Adobe Acrobat, which allows direct editing of text, images, and other elements within the PDF. Some free tools, like PDFescape or Smallpdf, also offer basic editing capabilities. **How do I convert a Kenmore 385 Sewing Machine Instruction Manual PDF to another file format?** There are multiple ways to convert a PDF to another format: Use online converters like Smallpdf, Zamzar, or Adobe Acrobats export feature to convert PDFs to formats like Word, Excel, JPEG, etc. Software like Adobe Acrobat, Microsoft Word, or other PDF editors may have options to export or save PDFs in different formats. **How do I password-protect a Kenmore 385 Sewing Machine Instruction Manual PDF?** Most PDF editing software allows you to add password protection. In Adobe Acrobat, for instance, you can go to "File" -> "Properties" -> "Security" to set a password to restrict access or editing capabilities. Are there any free alternatives to Adobe Acrobat for working with PDFs? Yes, there are many free alternatives for working with PDFs, such as: LibreOffice: Offers PDF editing features. PDFsam: Allows splitting, merging, and editing PDFs. Foxit Reader: Provides basic PDF viewing and editing capabilities. How do I compress a PDF file? You can use online tools like Smallpdf, ILovePDF, or

desktop software like Adobe Acrobat to compress PDF files without significant quality loss. Compression reduces the file size, making it easier to share and download. Can I fill out forms in a PDF file? Yes, most PDF viewers/editors like Adobe Acrobat, Preview (on Mac), or various online tools allow you to fill out forms in PDF files by selecting text fields and entering information. Are there any restrictions when working with PDFs? Some PDFs might have restrictions set by their creator, such as password protection, editing restrictions, or print restrictions. Breaking these restrictions might require specific software or tools, which may or may not be legal depending on the circumstances and local laws.

Find Kenmore 385 Sewing Machine Instruction Manual :

how to drive a manual gear car

how to make file

[how to clear ssb day 1](#)

how to raise goats everything you need to know updated & revised ffa

how to do everything mac second edition

[how to convert a photo to jpg](#)

[how to fill out a online](#)

[how to read historical mathematics](#)

[how to identify cope with and treat anorexia nervosa parenting pointers book 19](#)

[how to make wood shells with a scroll saw volume 1](#)

how to edit a file in adobe

how to convert to jpeg

how to manual on skate xbox 360

how to make my own steampunk corset

how to care for orchids

Kenmore 385 Sewing Machine Instruction Manual :

Caries Management - Science and Clinical Practice A comprehensive approach to modern caries management. This systematic approach to modern caries management combines new, evidence-based treatment techniques ... Caries Management - Science and Clinical Practice A comprehensive approach to modern caries management. This systematic approach to modern caries management combines new, evidence-based treatment techniques ... Caries Management-Science

and Clinical Practice Caries Management-Science and Clinical Practice · The Disease: 1 Ecology of the Oral Cavity · The Disease: 2 Etiology and Pathogenesis of Caries · The Disease: ... Caries Management - Science and Clinical Practice Covering the science behind the disease a comprehensive approach to modern caries management This systematic approach to modern caries management combines new ... Caries Management, An Issue of Dental Clinics of This issue of Dental Clinics of North America focuses on Caries Management and is edited by Drs. Sandra Guzmán-Armstrong, Margherita Fontana, Marcelle Matos ... Caries Management-Science and Clinical Practice Dental Caries: Science and Clinical Practice puts scientific principles into clinical action for the best results and is an essential resource for a ... Caries Management Clinical Practice Guidelines A series of ADA guidelines with clinical recommendations for nonrestorative and restorative dental caries treatment, dental caries prevention, and dental ... [(Caries Management - Science and Clinical Practice) ... It is an essential resource for a complete, proactive approach to caries detection, assessment, treatment, management, and prevention in contemporary dental ... Caries Management - Science and Clinical Practice Nov 21, 2012 — It is an essential resource for a complete, proactive approach to caries detection, assessment, treatment, management, and prevention in ... Caries Management - Science and Clinical Practice ... This knowledge alongside the work of Keyes affirms our understanding that dental caries is an entirely preventable disease, in an otherwise healthy ... 25.2 Nuclear Transformations Flashcards Study with Quizlet and memorize flashcards containing terms like Band of stability, Positron, Half-life and more. Nuclear Chemistry Chapter 25 (25.2, 25.3, 25.4) Worksheet ... Pearson Chemistry; Nuclear Chemistry Chapter 25 (25.2, 25.3, 25.4) Worksheet Answers. ... Chapter 25.2-Nuclear Transformations vocabulary and key concepts. 9 ... Nuclear Chemistry 2. The three types of nuclear radiation are radiation, radiation, and radiation. 25.2 Nuclear Transformations. 25.2 Nuclear Transformations Carbon-14 emits beta radiation and decays with a half-life ($t_{1/2}$) of 5730 years. Assume you start with a mass of 2.00 10¹² g of carbon-14. a. How long is ... ECON101 - Ch.25 Section Review Answers For the electronic transition from $n = 3$ to $n = 5$ in the hydrogen atom. a) Calculate the energy. b) Calculate the wavelength (in nm). Chapter 25 Nuclear Chemistry 25.2 Nuclear Transformations Sep 5, 2017 — Nuclear Chemistry Targets: 1.I CAN Utilize appropriate scientific vocabulary to explain scientific concepts. 2.I CAN Distinguish between fission ... Matter and Change • Chapter 25 When a radioactive nucleus gives off a gamma ray, its atomic number increases by 1. 12. The three types of radiation were first identified by Ernest Rutherford. Nuclear Chemistry - Lake Central High School Jul 12, 2015 — What is the change in atomic number after the alpha decay? It decreases by 2. b. ... answer the following questions. **Nuclear** ... 25.2 Nuclear Transformations | Lecture notes Chemistry These nuclei decay by turning a neutron into a proton to emit a beta particle (an electron) from the nucleus. This process is known as beta emission. It ... 60 s - 1 min SECTION 25.2 NUCLEAR TRANSFORMATIONS. 1. Write a nuclear equation for the following radioactive processes. a. alpha decay of francium-208 $^{208}\text{Fr} \rightarrow \text{b}$... Study Guide: Part One- Identifying Accounting Terms | PDF COPYRIGHT © SOUTH-WESTERN CENGAGE LEARNING Chapter 4 • 53. Part Two-

Identifying Accounting Concepts and Practices Directions: Place a T for True or an F for ... Studyguide for Accounting Information Systems by South ... This item is printed on demand. Studyguide for Accounting Information Systems by South-Western, Cengage, ISBN 9780538469319 (Paperback). Language, English. Study Guide: Part One-Identifying Accounting Terms | PDF COPYRIGHT © SOUTH-WESTERN CENGAGE LEARNING. Chapter 6 • 117. Part Two-Analyzing Accounting Practices Related to a Work Sheet Directions: Place a T for True or ... Study Guide 1: Identifying Accounting terms Flashcards Study with Quizlet and memorize flashcards containing terms like accounting, accounting system, accounting records and more. Studyguide for Cornerstones of Managerial Accounting by ... Buy Studyguide for Cornerstones of Managerial Accounting by South-Western, Cengage, ISBN 9780538473460 (Paperback) at Walmart.com. College Accounting Working Papers, Study Guide ... Working Papers Study Guide, Chapters 1-12 for Nobles/Scott/McQuaig/Bille's College Accounting, 11th. Item Length. 10.8in. Publisher. Cengage South-Western. Study Guide 5 - Part 1 - Identifying Accounting Terms Study with Quizlet and memorize flashcards containing terms like Code of conduct, Checking account, Endorsement and more. Lesson 1-1 How Transactions Change Owner's Equity in an Accounting ... CENTURY 21 ACCOUNTING © 2009 South-Western, Cengage Learning. Chapter Assignments. Study guide ... ACCOUNTING 1 STUDY GUIDE In this edition you will find more coverage of the subject including expanded sections on financial statements and accounting in business, making this a study ... Working Papers with Study Guide, Chapters 1-12: College ... Amazon.com: Working Papers with Study Guide, Chapters 1-12: College Accounting: 9781111530211: McQuaig, Douglas J., Bille, Patricia A., Scott, Cathy J., ...