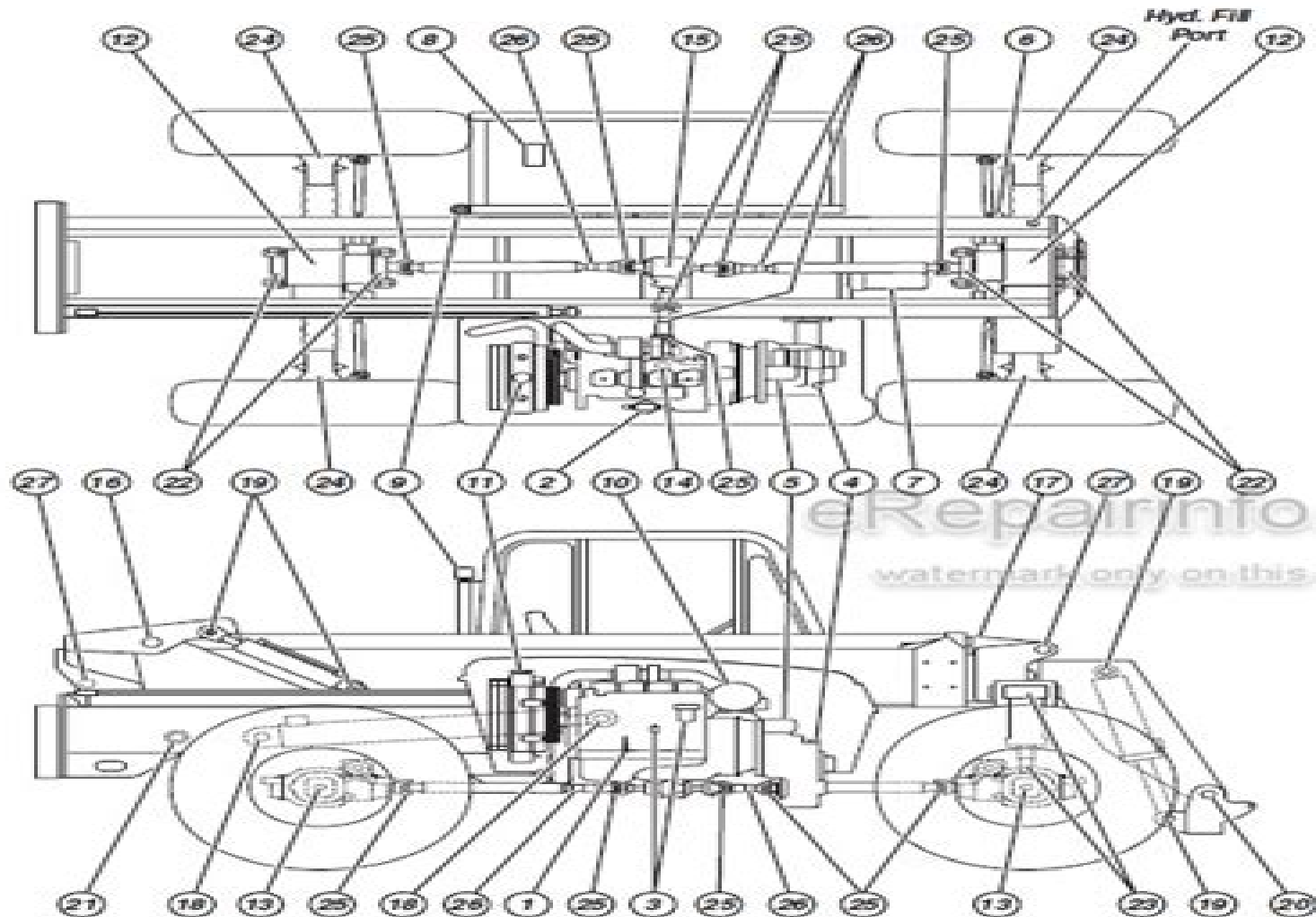


# SERVICE/LUBRICATION SCHEDULE MODEL 644D-34



LUBRICATE BOOM WEAR PADS AND SLIDE AREAS MONTHLY WITH EP LITHIUM-BASED GREASE OR DRY-FILM LUBRICANT.

THIS CHART SHOWS THE MINIMUM SIZE AND PLY RATINGS THAT CAN BE USED ON THIS VEHICLE. MISMATCHED TIRE SIZES OR MIXING OF TIRE TYPES MAY COMPROMISE VEHICLE STABILITY, AND MAY RESULT IN VEHICLE TIPOVER. MAKE SURE REPLACEMENT TIRES ARE OF THE SAME SIZE AND PLY RATING AS ALL OTHER TIRES ON THE VEHICLE.

# Lull 644d Manual

**SB Merriam**



**Lull 644d Manual:**

**State of Colorado Mobile Equipment Manual** ,1999      Biological & Agricultural Index ,1934      **Agricultural Index** ,1931      **Ludlow Manual of Instructions** ,1965      *80C186EB/80C188EB User's Manual* Intel Corporation Staff,1991-01-01      **Ludlow Manual of Instructions** Ludlow Typograph Company,19??

Discover tales of courage and bravery in Crafted by is empowering ebook, Unleash Courage in **Lull 644d Manual** . In a downloadable PDF format ( Download in PDF: \*), this collection inspires and motivates. Download now to witness the indomitable spirit of those who dared to be brave.

<http://www.armchairempire.com/public/publication/fetch.php/Heinrich%20Heines%20Autobiographie%20Heine.pdf>

## **Table of Contents Lull 644d Manual**

1. Understanding the eBook Lull 644d Manual
  - The Rise of Digital Reading Lull 644d Manual
  - Advantages of eBooks Over Traditional Books
2. Identifying Lull 644d Manual
  - Exploring Different Genres
  - Considering Fiction vs. Non-Fiction
  - Determining Your Reading Goals
3. Choosing the Right eBook Platform
  - Popular eBook Platforms
  - Features to Look for in an Lull 644d Manual
  - User-Friendly Interface
4. Exploring eBook Recommendations from Lull 644d Manual
  - Personalized Recommendations
  - Lull 644d Manual User Reviews and Ratings
  - Lull 644d Manual and Bestseller Lists
5. Accessing Lull 644d Manual Free and Paid eBooks
  - Lull 644d Manual Public Domain eBooks
  - Lull 644d Manual eBook Subscription Services
  - Lull 644d Manual Budget-Friendly Options
6. Navigating Lull 644d Manual eBook Formats

- ePub, PDF, MOBI, and More
  - Lull 644d Manual Compatibility with Devices
  - Lull 644d Manual Enhanced eBook Features
7. Enhancing Your Reading Experience
    - Adjustable Fonts and Text Sizes of Lull 644d Manual
    - Highlighting and Note-Taking Lull 644d Manual
    - Interactive Elements Lull 644d Manual
  8. Staying Engaged with Lull 644d Manual
    - Joining Online Reading Communities
    - Participating in Virtual Book Clubs
    - Following Authors and Publishers Lull 644d Manual
  9. Balancing eBooks and Physical Books Lull 644d Manual
    - Benefits of a Digital Library
    - Creating a Diverse Reading Collection Lull 644d Manual
  10. Overcoming Reading Challenges
    - Dealing with Digital Eye Strain
    - Minimizing Distractions
    - Managing Screen Time
  11. Cultivating a Reading Routine Lull 644d Manual
    - Setting Reading Goals Lull 644d Manual
    - Carving Out Dedicated Reading Time
  12. Sourcing Reliable Information of Lull 644d Manual
    - Fact-Checking eBook Content of Lull 644d Manual
    - Distinguishing Credible Sources
  13. Promoting Lifelong Learning
    - Utilizing eBooks for Skill Development
    - Exploring Educational eBooks
  14. Embracing eBook Trends
    - Integration of Multimedia Elements
    - Interactive and Gamified eBooks

## Lull 644d Manual Introduction

Lull 644d Manual Offers over 60,000 free eBooks, including many classics that are in the public domain. Open Library: Provides access to over 1 million free eBooks, including classic literature and contemporary works. Lull 644d Manual Offers a vast collection of books, some of which are available for free as PDF downloads, particularly older books in the public domain. Lull 644d Manual : This website hosts a vast collection of scientific articles, books, and textbooks. While it operates in a legal gray area due to copyright issues, its a popular resource for finding various publications. Internet Archive for Lull 644d Manual : Has an extensive collection of digital content, including books, articles, videos, and more. It has a massive library of free downloadable books. Free-eBooks Lull 644d Manual Offers a diverse range of free eBooks across various genres. Lull 644d Manual Focuses mainly on educational books, textbooks, and business books. It offers free PDF downloads for educational purposes. Lull 644d Manual Provides a large selection of free eBooks in different genres, which are available for download in various formats, including PDF. Finding specific Lull 644d Manual, especially related to Lull 644d Manual, might be challenging as theyre often artistic creations rather than practical blueprints. However, you can explore the following steps to search for or create your own Online Searches: Look for websites, forums, or blogs dedicated to Lull 644d Manual, Sometimes enthusiasts share their designs or concepts in PDF format. Books and Magazines Some Lull 644d Manual books or magazines might include. Look for these in online stores or libraries. Remember that while Lull 644d Manual, sharing copyrighted material without permission is not legal. Always ensure youre either creating your own or obtaining them from legitimate sources that allow sharing and downloading. Library Check if your local library offers eBook lending services. Many libraries have digital catalogs where you can borrow Lull 644d Manual eBooks for free, including popular titles. Online Retailers: Websites like Amazon, Google Books, or Apple Books often sell eBooks. Sometimes, authors or publishers offer promotions or free periods for certain books. Authors Website Occasionally, authors provide excerpts or short stories for free on their websites. While this might not be the Lull 644d Manual full book , it can give you a taste of the authors writing style. Subscription Services Platforms like Kindle Unlimited or Scribd offer subscription-based access to a wide range of Lull 644d Manual eBooks, including some popular titles.

## FAQs About Lull 644d Manual Books

**What is a Lull 644d Manual PDF?** A PDF (Portable Document Format) is a file format developed by Adobe that preserves the layout and formatting of a document, regardless of the software, hardware, or operating system used to view or print it.

**How do I create a Lull 644d Manual PDF?** There are several ways to create a PDF: Use software like Adobe Acrobat, Microsoft Word, or Google Docs, which often have built-in PDF creation tools. Print to PDF: Many applications and operating

systems have a "Print to PDF" option that allows you to save a document as a PDF file instead of printing it on paper. Online converters: There are various online tools that can convert different file types to PDF. **How do I edit a Lull 644d Manual PDF?** Editing a PDF can be done with software like Adobe Acrobat, which allows direct editing of text, images, and other elements within the PDF. Some free tools, like PDFescape or Smallpdf, also offer basic editing capabilities. **How do I convert a Lull 644d Manual PDF to another file format?** There are multiple ways to convert a PDF to another format: Use online converters like Smallpdf, Zamzar, or Adobe Acrobats export feature to convert PDFs to formats like Word, Excel, JPEG, etc. Software like Adobe Acrobat, Microsoft Word, or other PDF editors may have options to export or save PDFs in different formats. **How do I password-protect a Lull 644d Manual PDF?** Most PDF editing software allows you to add password protection. In Adobe Acrobat, for instance, you can go to "File" -> "Properties" -> "Security" to set a password to restrict access or editing capabilities. Are there any free alternatives to Adobe Acrobat for working with PDFs? Yes, there are many free alternatives for working with PDFs, such as: LibreOffice: Offers PDF editing features. PDFsam: Allows splitting, merging, and editing PDFs. Foxit Reader: Provides basic PDF viewing and editing capabilities. How do I compress a PDF file? You can use online tools like Smallpdf, ILovePDF, or desktop software like Adobe Acrobat to compress PDF files without significant quality loss. Compression reduces the file size, making it easier to share and download. Can I fill out forms in a PDF file? Yes, most PDF viewers/editors like Adobe Acrobat, Preview (on Mac), or various online tools allow you to fill out forms in PDF files by selecting text fields and entering information. Are there any restrictions when working with PDFs? Some PDFs might have restrictions set by their creator, such as password protection, editing restrictions, or print restrictions. Breaking these restrictions might require specific software or tools, which may or may not be legal depending on the circumstances and local laws.

### **Find Lull 644d Manual :**

*heinrich heines autobiographie heine*

[herbal healing for women](#) [herbal healing for women](#)

**her bull riders baby a cowboy of her own volume 2**

*heraeus ut 6120 manual*

**help im holy but im horny**

**helpen bij sterven euthanasie in verschillende samenlevingen**

*hedendaags fetisjisme*

*hemp hurds as paper making material united states department of agriculture bulletin no 404*

*hegels critique of liberalism rights in context by smith steven b 1991 paperback*

henry and ribsby study guide

**heraeus b12 manual**

heidegger and theology philosophy and theology

*heimat fremde vertriebene gesellschaftliche auswirkungen*

henkes med math dosage calculation preparation & administration bucholz henkes med math 7th seventh edition

**heidegger thinking of being key contemporary thinkers**

**Lull 644d Manual :**

**the star of kazan by eva ibbotson review the guardian** - Aug 12 2023

web sep 6 2011 the star of kazan by eva ibbotson makes your heart beat faster than a mouse s heartbeat from an abandoned baby to a grim suicide to a very volatile school and many more gripping events the

**the star of kazan eva ibbotson google books** - Feb 06 2023

web apr 6 2006 the star of kazan eva ibbotson penguin young readers group apr 6 2006 juvenile fiction 416 pages after twelve year old annika a foundling living in late nineteenth century vienna inherits

**the star of kazan kirkus reviews** - Jun 10 2023

web oct 1 2004 the star of kazan by eva ibbotson illustrated by kevin hawkes release date oct 1 2004 ibbotson master of the poor orphan makes good tale offers another eminently satisfying example this one wrapped in a valentine to vienna the author s natal city

**the star of kazan booktrust** - Nov 03 2022

web the star of kazan interest age 8 reading age 9 11 years historical adoption bereavement family foster care friendship relationships the star of kazan 7 reviews author eva ibbotson publisher macmillan children s books it is june 1897 and a baby girl is found abandoned in a tiny alpine church

*the star of kazan ibbotson eva amazon com au books* - Jul 31 2022

web about the author eva ibbotson born maria charlotte michelle wiesner 1925 2010 was an austrian born british novelist known for her children s books some of her novels for adults have been successfully reissued for the young adult market in recent years

the star of kazan ibbotson eva free download borrow and - May 29 2022

web the star of kazan ibbotson eva free download borrow and streaming internet archive

**the star of kazan ibbotson eva free download borrow and** - Jan 05 2023

web 388 pages 22 cm after twelve year old annika a foundling living in late nineteenth century vienna inherits a trunk of



costume jewelry a woman claiming to be her aristocratic mother arrives and takes her to live in a strangely decrepit mansion in germany

**the star of kazan wikipedia** - Oct 14 2023

web the star of kazan 2004 is a novel by eva ibbotson it won the nestlé children s book prize silver award and was shortlisted for the carnegie medal

firebird of peace named mascot for inaugural games of the future in kazan - Feb 23 2022

web nov 14 2023 moscow november 14 tass the mascot of the first games of the future to be held in russia s kazan will be the firebird of peace the mascot designed by students from tatarstan was

**the star of kazan eva ibbotson google books** - Mar 07 2023

web pan macmillan sep 4 2008 juvenile fiction 400 pages eva ibbotson s hugely entertaining the star of kazan is a timeless classic for readers young and old in 1896 in a pilgrim church in

**the star of kazan by eva ibbotson goodreads** - Sep 13 2023

web dec 31 1999 8 518 ratings 708 reviews la naissance d annika est un mystère abandonnée dans une église en pleine montagne elle a été élevée par une famille excentrique de vienne sa vie bascule lorsque sa vraie mère réapparaît et l emmène vivre en allemagne dans son château morne et glacé

**the star of kazan kindle edition amazon com** - Oct 02 2022

web sep 4 2008 audiobook 0 00 free with your audible trial eva ibbotson s hugely entertaining the star of kazan is a timeless classic for readers young and old in 1896 in a pilgrim church in the alps an abandoned baby girl is found by a cook and a housemaid

the star of kazan by eva ibbotson waterstones - Dec 04 2022

web may 8 2014 synopsis suffused with all of eva ibbotson s timeless storytelling gifts the star of kazan recounts the evocative tale of an abandoned girl in the late nineteenth century alps and the stranger who sensationally claims that she is her birth mother eva ibbotson s hugely entertaining the star of kazan is a timeless classic for readers young

*the star of kazan paperback april 6 2006 amazon com* - Jul 11 2023

web apr 6 2006 eva ibbotson born maria charlotte michelle wiesner 1925 2010 was an austrian born british novelist known for her children s books some of her novels for adults have been successfully reissued for the young adult market in recent years

pdf epub the star of kazan download oceanofpdf - Mar 27 2022

web jul 6 2023 download the star of kazan by eva ibbotson in pdf epub format complete free brief summary of book the star of kazan by eva ibbotson here is a quick description and cover image of book the star of kazan written by eva ibbotson which

was published in december 31 1999 you can read this before the star of kazan pdf  
[teachingbooks the star of kazan](#) - Apr 27 2022

web nov 9 2023 the star of kazan by eva ibbotson and kevin hawkes eva ibbotson s hugely entertaining the star of kazan is a timeless classic read more 7 total resources 1 awards view text complexity discover like books audio excerpt  
*the star of kazan* penguin random house - May 09 2023

web the star of kazan by eva ibbotson 9780142405826 penguinrandomhouse com books after twelve year old annika a foundling living in late nineteenth century vienna inherits a trunk of costume jewelry a woman claiming to be her aristocratic  
*the star of kazan quotes by eva ibbotson* goodreads - Sep 01 2022

web the star of kazan quotes showing 1 3 of 3 pauline kept a scrapbook into which she pasted important articles that she had cut out of the newspapers these were about the courageous deeds that had been done by people even if they only had one leg or couldn t see or had been dropped on their heads when they were babies

**the star of kazan rif org reading is fundamental** - Jun 29 2022

web jan 1 2004 written by eva ibbotson annika is happy living in the servants quarters of a house owned by three eccentric professors she adores ellie and sigrid the cook and housemaid who found her as a baby abandoned on a church doorstep in the eleven years since they have taught her how to bake and clean to perfection

[the star of kazan by eva ibbotson pan macmillan](#) - Apr 08 2023

web may 8 2014 the star of kazan eva ibbotson ages 9 to 11 2004 nominee the cilip carnegie medal 2004 winner nestlé smarties book prize silver award synopsis eva ibbotson s hugely entertaining the star of kazan is a timeless classic for readers young and old in 1896 in a pilgrim church in the alps an abandoned baby girl is found by a  
*teacher lounge makeover donation request letter pdf pdf* - May 12 2023

web teacher lounge makeover donation request letter pdf pdf devy ortax org created date 9 3 2023 3 21 51 pm

**teacher lounge makeover donation request letter** - Feb 26 2022

web plainly put the teacher lounge makeover donation request letter is commonly harmonious with any devices to read this teacher lounge makeover donation request letter as one of the majority operating sellers here will entirely be associated with by the best options to review

*teacher lounge makeover donation request letter pdf* - Mar 30 2022

web teacher lounge makeover donation request letter pdf this is likewise one of the factors by obtaining the soft documents of this teacher lounge makeover donation request letter pdf by online you might not require

**teacher lounge makeover donation request letter full pdf** - Jan 28 2022

web as perspicacity of this teacher lounge makeover donation request letter can be taken as capably as picked to act teacher

lounge makeover donation request letter 2022 07 10

**how to do a teacher s lounge makeover sippy cup mom** - Feb 09 2023

web oct 13 2017 so when the principal asked me back in may if i might know of a company that could donate a refrigerator for the teacher s lounge i decided to take it a step further with a teacher s lounge makeover see due to massive overcrowding at my son s school the teachers had gone without a teacher s lounge for a few years

**teachers lounge makeover tips pto today** - Mar 10 2023

web feb 14 2023 if you re lucky you might even find a parent whose employer is willing to offer services at a discount or even donate them outright ask retailers for product donations a local hardware store could donate paint an appliance store could give a new refrigerator and a craft store might provide decorative items

**teacher lounge makeover donation request letter pdf 2023** - Aug 15 2023

web teacher lounge makeover donation request letter pdf 2023 networks kualumni org created date 9 6 2023 10 59 51 am

**results for donation request letter tpt** - Sep 04 2022

web easily request classroom supplies from your parents with this classroom donation request letter you have the option to list out the supplies you need or you can create a wish list e g from amazon or target and insert the qr code that parents can easily scan from their phones to view your list and purchase directly from the website

*teacher lounge makeover donation request letter pdf* - Jun 01 2022

web teacher lounge makeover donation request letter 2 11 downloaded from uniport edu ng on may 7 2023 by guest sen case studies and illustrated examples are provided to show how these design principles can be implemented the central chapters are divided by phase of education highlighting to local authorities and all

*teacher lounge makeover donation request letter timothy* - Apr 11 2023

web teacher lounge makeover donation request letter belong to that we provide here and check out the link you could purchase guide teacher lounge makeover donation request letter or acquire it as soon as feasible you could speedily download this teacher lounge makeover donation request letter after getting deal so gone you require

**how to make over the teachers lounge pto answers** - Jun 13 2023

web dec 10 2019 create zones the fastest way to bring order to the space is to create zones in the cabinets or on the shelving in the cabinets have a zone for mugs in one area and another for utensils use the basic principles of organizing to group like items with like add like items to baskets to maintain the order

**teacher lounge makeover donation request letter pdf** - Jul 02 2022

web teacher lounge makeover donation request letter downloaded from retailer bonide com by guest knox hurley 2010 ada standards for accessible design kp craft what will it take to move your high school to the next level in becoming a great high

school former principal tim westerberg emphasizes that significant improvement

[teacher s lounge mindfulness room makeover donorschoose](#) - Jul 14 2023

web feb 19 2022 you donate directly to the teacher or project you care about and see where every dollar you give goes expand the where your donation goes section below to see exactly what mrs york is requesting see our finances

**teacher lounge makeover donation request letter pdf pdf** - Aug 03 2022

web teacher lounge makeover donation request letter pdf 2 3 downloaded from devternity twino eu on january 21 2023 by

guest teacher or teacher s assistant who demonstrates the principles that are being taught docent a teacher at some

universities teacher horizons teacher horizons is a community to support inspire and facilitate

[teacher lounge makeover donation request letter](#) - Oct 05 2022

web teacher lounge makeover donation request letter is universally compatible later than any devices to read alcoholics

anonymous alcoholics anonymous world services 1986 the basic text for alcoholics anonymous unhinged omarosa manigault

newman 2018 08 14 in the 1 new york times bestseller the former assistant to the president and

**teacher lounge makeover donation request letter full pdf** - Apr 30 2022

web decoding teacher lounge makeover donation request letter revealing the captivating potential of verbal expression in a period characterized by interconnectedness and an insatiable thirst for knowledge the captivating

[teacher lounge makeover donation request letter pdf pdf](#) - Jan 08 2023

web teacher lounge makeover donation request letter pdf pdf bukuclone ortax org created date 9 2 2023 6 50 00 am

**download solutions teacher lounge makeover donation request letter** - Nov 06 2022

web in right site to begin getting this info acquire the teacher lounge makeover donation request letter pdf belong to that we offer here and check out the link you could purchase lead teacher lounge makeover donation request letter pdf or get it as

soon as feasible you could quickly download this teacher lounge makeover donation

**teacher lounge makeover donation request letter download** - Dec 27 2021

web feb 27 2023 it is your categorically own become old to deed reviewing habit along with guides you could enjoy now is teacher lounge makeover donation request letter below

**room mom donation request letter for class projects parties** - Dec 07 2022

web oct 22 2019 option 1 the class budget method this will vary for each school but some room moms are allowed to collect donations upfront to create a class budget this fee will cover items for parties and projects throughout the entire school year

many room moms like this method because you don t have to ask for donations over and over again each

**le clan kennedy by jacques lowe goodreads** - Feb 10 2022

web hardcover published october 10 2003 book details editions

*famille kennedy wikipedia* - Oct 01 2023

web le clan kennedy est une famille américaine d'origine irlandaise ayant donné aux États-Unis de nombreuses personnalités politiques issus du parti démocrate tout au long du XX<sup>e</sup> siècle puis du XXI<sup>e</sup> siècle

*la face cachée du clan kennedy by seymour m hersh goodreads* - Oct 21 2022

web la face cachée du clan kennedy seymour m hersh jean paul mourlon translator 3 68 2 214 ratings 196 reviews 1

assassinat du président kennedy le 22 novembre 1963 en a fait un personnage mythique un monument auquel

*clinton ailesi kobani deki ypg pkk lıları anlatan dizi çekecek* - Apr 14 2022

web jan 26 2021 clinton ailesi kobani deki ypg pkk lıları anlatan dizi çekecek eski abd dışişleri bakanı hillary clinton ile kızı chelsea clinton'ın prodüksiyon şirketinin suriye'nin kobani şehrindeki ypg pkk'lı kadın teröristleri anlatan bir kitabın televizyon dizisi haklarını satın aldığı bildirildi

**clan kennedy history scotland magazine** - Mar 26 2023

web a succinct overview of clan kennedy's history plus information on their tartan traditions and clan crest for those curious about scottish heritage clan kennedy who ruled much of

**list of kennedy family members wikipedia** - Apr 26 2023

web list of kennedy family members the following is a list of notable kennedy family members arranged by birth date michael lemoyne kennedy 1958 1997 lawyer businessperson 10 mary kerry kennedy born 1959 lawyer author and human rights activist

kennedy clan history - Jan 24 2023

web kennedy clan history the kennedy society of north america the kennedy name has long been associated with southwest scotland and especially with carrick the first recorded kennedy was gilbert mackenedi of carrick who witnessed a doon fishing charter during william the lion's reign 1165 1214

**clan kennedy wikipedia** - Aug 31 2023

web les kennedy de moray une branche du clan migrèrent vers le nord avec janet kennedy la sœur du troisième lord kennedy qui eut un fils avec jacques iv d'Écosse qui lui permit d'obtenir une partie du comté de moray 1 les kennedy de moray devinrent un sept du clan cameron 17<sup>e</sup> siècle et guerre civile

**about us kennedy society** - Dec 23 2022

web learning from the past to improve our future where we come from informs where we are going as part of the kennedy clan our past history and traditions provide us with not only knowledge and experience but enjoyment so we want to honor the customs of the past and preserve them by teaching the next generation of kennedys

*le clan kennedy hardcover 10 oct 2003 amazon.co.uk* - Jun 16 2022

web le clan kennedy lowe jacques wolfe thomasina sidey hugh kennedy robert f jr wolfe tom amazon co uk books

[le clan film 2022 allociné](#) - Nov 09 2021

web le clan est un film réalisé par eric fraticelli avec eric fraticelli denis braccini synopsis fred achille max et belette sont quatre truands qui forment une belle équipe de bras cassés

**le clan teaser 1 vf 2023 comédie eric fraticelli youtube** - Dec 11 2021

web nov 25 2022 le clan teaser 1 vf 2023 comédie eric fraticelli philippe corti jean françois perrone abonne toi à la chaine c est gratuit bit ly 1shspq0 le clan teaser vf extraits film en

**clan kennedy 186 tartan products kilts scarves fabrics more clan** - Aug 19 2022

web the kennedys gaelic ceannaideach are one of the great lowland families of scotland their heartland being that southern portion of ayrshire called carrick some claim that they crossed from ireland and settled in south west scotland their progenitor was on céndetig ugly headed who is mentioned in the book of leinster

*history of the kennedy family rampant scotland* - May 28 2023

web clan family histories kennedy the kennedy family became associated with the south west of scotland when cunedda which means grim headed a chieftain of the votadini located in what is now lothian was sent to establish settlements there at a time when gaelic was the main language there

**kennedy family tree descendents and ancestors thoughtco** - Feb 22 2023

web feb 25 2020 the grandchildren of proud irish immigrants joseph patrick kennedy and rose elizabeth fitzgerald were the patriarch and matriarch of the large influential american kennedy clan the parents of nine children including our 35th president john f kennedy and two u s senators robert f bobby kennedy and edward m teddy

[kennedy family wikipedia](#) - Jun 28 2023

web according to genealogist brian kennedy in his work jfk s irish o kennedy ancestors the kennedys who would go on to play a significant role in the united states of america originated from an irish clan called Ó cinnéide fionn one of the three irish gaelic Ó cinnéide clans who ruled the kingdom of ormond along with the Ó cinnéide donn

*last of the clan the economist* - May 16 2022

web aug 26 2009 mr kennedy wanted his wife vicky to succeed him but the kennedy family seems to be something of a spent force teddy was the last of the greats his niece caroline kennedy failed in her quasi

[free le clan kennedy cyberlab sutd edu sg](#) - Jul 18 2022

web le clan kennedy the new encyclopedia of southern culture oct 28 2020 offering a comprehensive view of the south s literary landscape past and present this volume of the new encyclopedia of southern culture celebrates the region s ever flourishing literary culture and recognizes the ongoing evolution of the southern literary canon

---

*kennedy clan crest avise la fin motto family history kennedy* - Sep 19 2022

web kennedy clan kennedy clan crest a dolphin kennedy clan motto avise la fin consider the end kennedy clan history this family originated from ulster and are descended from duncan of carrick who lived in the 12th century

*le clan translation into english examples french reverso* - Jan 12 2022

web translation of le clan in english tout le clan se réunit pour célébrer la nouvelle année the whole clan gathered to celebrate the new year déplacer le clan loin de l affrontement guerrier move clan far from warrior clash a cette occasion le chef de file veut éliminer le clan ninja on this occasion the leader wants to eliminate

*the kennedy family jfk library* - Nov 21 2022

web the kennedy family learn about john f kennedy s family including his parents joseph p kennedy and rose fitzgerald kennedy and his eight brothers and sisters and their spouses

**clan kennedy wikipedia** - Jul 30 2023

web clan kennedy is a scottish clan of the scottish lowlands 2 history origins of the clan the votadini were a tribe in lothian and their chief cunedda was sent by the british leader vortigern to establish settlements in order to resist picto scottish sea raids in the south west of scotland 2

il clan kennedy joseph p kennedy il patriarca - Mar 14 2022

web kennedy usa storia il clan kennedy joseph p kennedy il patriarca racconto di federico bettuzzi ascolta il nostro podcast open spotify com show 3