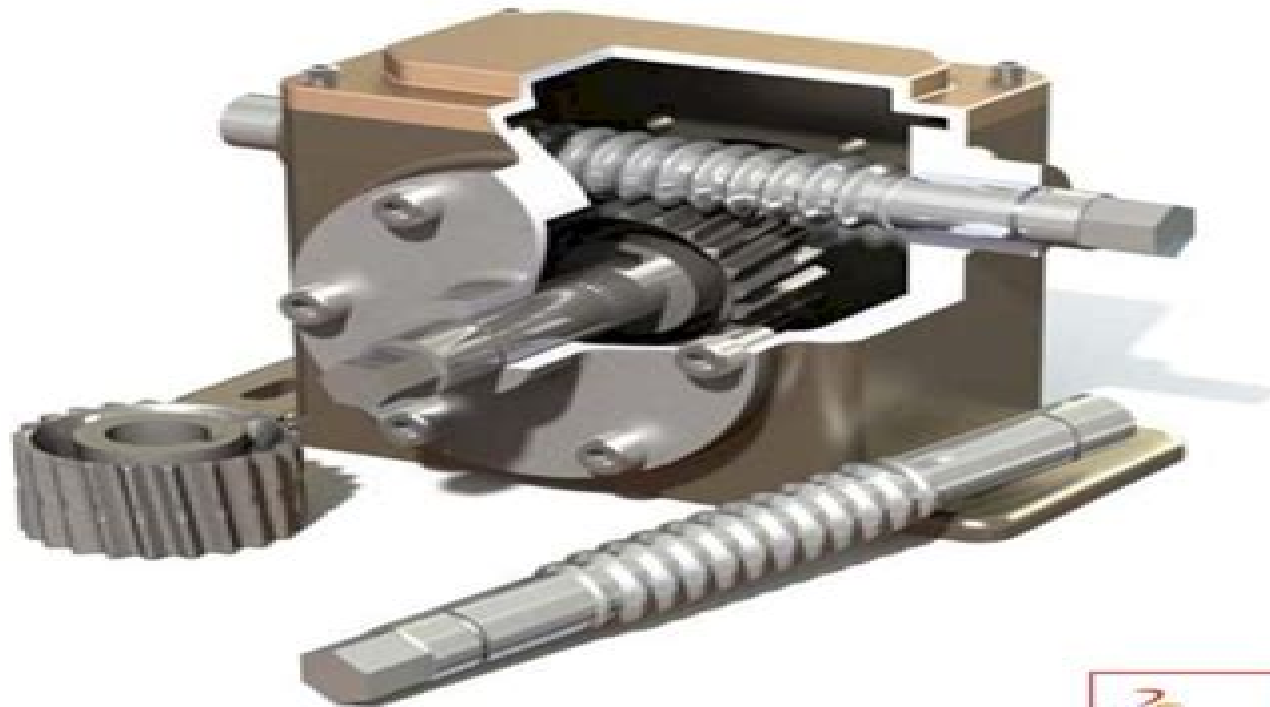


# Beginner's Guide to SolidWorks® 2012 – Level I

Alejandro Reyes, MSME, CSWP, CSWI



# Guide Utilisation Solidworks 2012

**Paul Tran**



## **Guide Utilisation Solidworks 2012:**

*Commands Guide Tutorial for SolidWorks 2012* David C. Planchard, Marie P. Planchard, 2011-12-18 The *Commands Guide Tutorial for SolidWorks 2012* is a comprehensive reference book written to assist the beginner to intermediate user of SolidWorks 2012. SolidWorks is an immense software package and no one book can cover all topics for all users. The book provides a centralized reference location to address many of the tools, features, and techniques of SolidWorks 2012. This book covers the following: System and Document properties, FeatureManagers, PropertyManagers, ConfigurationManagers, RenderManagers, 2D and 3D Sketch tools, Sketch entities, 3D Feature tools, Motion Study, Sheet Metal, Motion Study, Sustainability, Sustainability Xpress, FlowXpress, PhotoView 360, Pack and Go, Intelligent Modeling techniques, and more. Chapter 1 provides a basic overview of the concepts and terminology used throughout this book using SolidWorks 2012 software. If you are completely new to SolidWorks, you should read Chapter 1 in detail and complete Lesson 1, Lesson 2, and Lesson 3 in the SolidWorks Tutorials. If you are familiar with an earlier release of SolidWorks, you still might want to skim Chapter 1 to become acquainted with some of the commands, menus, and features that you have not used, or you can simply jump to any section in any chapter. Each chapter (18 total) provides detail, PropertyManager information on key topics with individual stand-alone short tutorials to reinforce and demonstrate the functionality and ease of the SolidWorks tool or feature. All models for the 240 plus tutorials are located on the enclosed book CD with their solution initial and final. Learn by doing, not just by reading. Formulate the skills to create, modify, and edit sketches and solid features. Learn the techniques to reuse features, parts, and assemblies through symmetry, patterns, copied components, design tables, configurations, and more. The book is designed to compliment the Online Tutorials and Online Help contained in SolidWorks 2012. The goal is to illustrate how multiple design situations and systematic steps combine to produce successful designs. The authors developed the tutorials by combining their own industry experience with the knowledge of engineers, department managers, professors, vendors, and manufacturers. These professionals are directly involved with SolidWorks everyday. Their responsibilities go far beyond the creation of just a 3D model.

**Beginner's Guide to Solidworks 2012 - Level II** Alejandro Reyes, 2012-03-12 *Beginner's Guide to SolidWorks 2012 Level II* starts where *Beginner's Guide Level I* ends, following the same easy-to-read style but this time covering advanced topics and techniques. The purpose of this book is to teach advanced techniques including sheet metal, surfacing, how to create components in the context of an assembly, and reference other components. Top-down design, propagate design changes with SolidWorks parametric capabilities, mold design, welded structures, and more, while explaining the basic concepts of each trade to allow you to understand the how and why of each operation. The author uses simple examples to allow you to better understand each command and environment, as well as to make it easier to explain the purpose of each step, maximizing the learning time by focusing on one task at a time. This book is focused on the processes to complete the modeling of a part instead of focusing on individual software commands or operations, which are

generally simple enough to learn At the end of this book you will have acquired enough skills to be highly competitive when it comes to designing with SolidWorks and while there are many less frequently used commands and options available that will not be covered in this book rest assured that those covered are most of the commands used every day by SolidWorks designers The author strived hard to include the commands required in the Certified SolidWorks Associate test as listed on the SolidWorks website and some as well as several more

**Official Certified SolidWorks Professional (CSWP) Certification Guide with Video Instruction** David Planchard,2014-04-28 This book along with the companion disc that accompanies it will provide you with a wealth of information about the three segments of the CSWP CORE exam The intended audience for this book is a person who has passed the CSWA exam and who has eight or more months of SolidWorks training and usage This guide is not intended to teach you how to use SolidWorks but is written to provide you with CSWP exam tips hints and information on sample questions and categories that are aligned with the exam This guide is written to help you take and pass the CSWP exam This book comes with a companion disc containing segment videos for you to follow while you use the book Each segment video provides valuable information tips and tricks to successfully pass the CSWP CORE exam SolidWorks model files in both their initial and final state are provided on this disc for SolidWorks 2012 2013 and 2014 The book is organized into three chapters Each chapter is focused on a segment of the CSWP CORE exam This is not intended to be a step by step book

**Official Certified SolidWorks Professional (CSWP) Certification Guide and Video Instruction** David Planchard,Marie Planchard,2013-03-18 This book along with the companion disc that accompanies it will provide you with a wealth of information about the three segments of the CSWP CORE exam The intended audience for this book is a person who has passed the CSWA exam and who has eight or more months of SolidWorks training and usage This guide is not intended to teach you how to use SolidWorks but is written to provide you with CSWP exam tips hints and information on sample questions and categories that are aligned with the exam This guide is written to help you take and pass the CSWP exam This book comes with a companion DVD containing segment videos for you to follow while you use the book Each segment video provides valuable information tips and tricks to successfully pass the CSWP CORE exam SolidWorks model files in both their initial and final state are provided on this DVD for both SolidWorks 2012 and 2013 The book is organized into three chapters Each chapter is focused on a segment of the CSWP CORE exam This is not intended to be a step by step book

**Official Guide to Certified SolidWorks Associate Exams - CSWA, CSDA, CSWSA-FEA SolidWorks 2015, 2014, 2013, and 2012** David C. Planchard,2014-11-28 The Official Guide to Certified SolidWorks Associate Exams CSWA CSDA CSWSA FEA is written to assist the SolidWorks user to pass the associate level exams Information is provided to aid a person to pass the Certified SolidWorks Associate CSWA Certified Sustainable Design Associate CSDA and the Certified SolidWorks Simulation Associate Finite Element Analysis CSWSA FEA exams There are three goals for this book The primary goal is not only to help you pass the CSWA CSDA and CSWSA FEA exams but also to

ensure that you understand and comprehend the concepts and implementation details of the three certification processes. The second goal is to provide the most comprehensive coverage of CSWA, CSDA, and CSWSA FEA exam related topics available without too much coverage of topics not on the exam. The third and ultimate goal is to get you from where you are today to the point that you can confidently pass the CSWA, CSDA, and the CSWSA FEA exam.

The Certified SolidWorks Associate (CSWA) certification indicates a foundation in and apprentice knowledge of 3D CAD design and engineering practices and principles. Passing this exam provides students the chance to prove their knowledge and expertise and to be part of a worldwide industry certification standard. The Certified Sustainable Design Associate (CSDA) certification indicates a foundation in and apprentice knowledge of demonstrating an understanding in the principles of environmental assessment and sustainable design. The Certified SolidWorks Simulation Associate (Finite Element Analysis) (CSWSA FEA) certification indicates a foundation in and apprentice knowledge of demonstrating an understanding in the principles of stress analysis and finite element analysis. SolidWorks 2012 or higher is required to take the exam.

**Introduction to Finite Element Analysis Using SolidWorks Simulation 2012** Randy H. Shih, 2012. The primary goal of *Introduction to Finite Element Analysis Using SolidWorks Simulation 2012* is to introduce the aspects of Finite Element Analysis (FEA) that are important to engineers and designers. Theoretical aspects of FEA are also introduced as they are needed to help better understand the operation. The primary emphasis of the text is placed on the practical concepts and procedures needed to use SolidWorks Simulation in performing Linear Static Stress Analysis and basic Model Analysis. This text covers SolidWorks Simulation and the lessons proceed in a pedagogical fashion to guide you from constructing basic truss elements to generating three dimensional solid elements from solid models. This text takes a hands on, exercise intensive approach to all the important FEA techniques and concepts. This textbook contains a series of thirteen tutorial style lessons designed to introduce beginning FEA users to SolidWorks Simulation. The basic premise of this book is that the more designs you create using SolidWorks Simulation the better you learn the software. With this in mind, each lesson introduces a new set of commands and concepts building on previous lessons.

*Commands Guide Tutorial for SolidWorks 2013* David C. Planchard, Marie P. Planchard, 2012-12-27. The *Commands Guide Tutorial for SolidWorks 2013* is a comprehensive reference book written to assist the beginner to intermediate user of SolidWorks 2013. SolidWorks is an immense software package and no one book can cover all topics for all users. This book provides a centralized reference location to address many of the tools, features, and techniques of SolidWorks 2013. This book covers the following: System and Document properties, FeatureManagers, PropertyManagers, ConfigurationManagers, RenderManagers, 2D and 3D Sketch tools, Sketch entities, 3D Feature tools, Motion Study, Sheet Metal, Motion Study, Sustainability, Sustainability Xpress, FlowXpress, PhotoView 360, Pack and Go, Intelligent Modeling techniques, and more. Chapter 1 provides a basic overview of the concepts and terminology used throughout this book using SolidWorks 2013 software. If you are completely new to SolidWorks, you should read Chapter 1 in detail and

complete Lesson 1 Lesson 2 and Lesson 3 in the SolidWorks Tutorials If you are familiar with an earlier release of SolidWorks you still might want to skim Chapter 1 to become acquainted with some of the commands menus and features that you have not used or you can simply jump to any section in any chapter Each chapter 18 total provides detailed PropertyManager information on key topics with individual stand alone short tutorials to reinforce and demonstrate the functionality and ease of the SolidWorks tool or feature All models for the 240 plus tutorials are located on the enclosed book CD with their solution initial and final Learn by doing not just by reading Formulate the skills to create modify and edit sketches and solid features Learn the techniques to reuse features parts and assemblies through symmetry patterns copied components design tables configurations and more The book is design to compliment the Online Tutorials and Online Help contained in SolidWorks 2013 The goal is to illustrate how multiple design situations and systematic steps combine to produce successful designs The authors developed the tutorials by combining their own industry experience with the knowledge of engineers department managers professors vendors and manufacturers These professionals are directly involved with SolidWorks everyday Their responsibilities go far beyond the creation of just a 3D model

**Beginner's Guide to Solidworks 2012** Alejandro Reyes,2012-03-12 This book is intended to help new users to learn the basic concepts of SolidWorks and good solid modeling techniques in an easy to follow guide It will be a great starting point for those new to SolidWorks or as a teaching aid in classroom training to become familiar with the software s interface basic commands and strategies as the user completes a series of models while learning different ways to accomplish a particular task At the end of this book you will have a fairly good understanding of the SolidWorks interface and the most commonly used commands for part modeling assembly and detailing after completing a series of components and their 2D drawings complete with Bill of Materials The book is focused on the processes to complete the modeling of a part instead of focusing on individual software commands or operations which are generally simple enough to learn The author strived hard to include the commands required in the Certified SolidWorks Associate test as listed on the SolidWorks website as well as several more SolidWorks is an easy to use CAD software that includes many time saving tools that will enable new and experienced users to complete design tasks faster than before Most commands covered in this book have advanced options which may not be covered in this book This is meant to be a starting point to help new users to learn the basic and most frequently used commands

**Assembly Modeling with SolidWorks 2012** David C. Planchard,Marie P. Planchard,2012-06-25 Assembly Modeling with SolidWorks 2012 is written to assist the beginning SolidWorks user with a few months of design experience to the intermediate SolidWorks user who desires to enhance their skill sets in assembly modeling The book provides a solid foundation in assembly modeling using competency based projects In step by step instructions the book provides examples to Start a SolidWorks session and to understand the following interfaces Menu bar toolbar Menu bar menu Drop down menus Context toolbars Consolidated drop down toolbars System feedback icons Confirmation Corner Heads up View toolbar CommandManager and more Set

System Options and Document Properties as they apply to a part and assembly template Create new SolidWorks folder locations Document Templates Reference Documents and Design Library Download components from 3D ContentCentral and rename and save components using SolidWorks Explorer Apply the Bottom up assembly approach with two levels of configurations using the Configure Component tool the Configure Dimension tool Design Tables and the Add Configuration tool Create new parts based on component features utilizing the Bottom up assembly approach Apply Standard Mates SmartMates and the Design Library Toolbox Apply the Top down assembly approach with two levels of configurations with In Context components Understand the following Out of Context components External References InPlace Mates redefining and replacing components and motion studies Apply the Derived Feature Component Pattern tool Linear Component Pattern tool and the Mirror Component tool along with the Explode Line Sketch tool Create a multi sheet multi view assembly drawing Knowledge of Custom Properties in a part assembly and linked notes with the ability to incorporate configurations of an Exploded view Bill of Materials Revision tables and more Address the Layout based assembly approach and Global Variables and Equations to control relationships Each chapter begins with the desired outcomes and usage competencies Explore assembly modeling techniques through a series of design situations industry scenarios projects and objectives Chapter 9 provides a bonus section on the Certified SolidWorks Associate CSWA program with sample exam questions and initial and final SolidWorks models Passing the CSWA exam proves to employers that you have the necessary fundamental engineering graphics and SolidWorks competencies The book compliments and enhances the SolidWorks Tutorials Although over 150 SolidWorks tools and commands are utilized in Assembly Modeling with SolidWorks 2012 the book is not a reference guide The book is a self paced tutorial in a realistic design setting Complex models expose you to large assembly modeling techniques You focus on the design process while learning the commands relative to assemblies To obtain the most from this text you should be familiar with the SolidWorks User Interface or other parametric modeling software application Your skill sets should include the ability to create simple parts assemblies and drawings and manipulate documents through the Windows operating system The authors developed the industry scenarios by combining their own industry experience with the knowledge of engineers department managers vendors and manufacturers These professionals are directly involved with SolidWorks everyday They create assemblies with thousands of components and drawings with hundreds of sheets Their responsibilities go far beyond the creation of just a 3D model

Engineering Design with SolidWorks 2012 David C. Planchard, Marie P. Planchard, 2012-01-23 Engineering Design with SolidWorks 2012 is written to assist students designers engineers and professionals The book provides a solid foundation in SolidWorks by utilizing projects with step by step instructions for the beginning to intermediate SolidWorks user Explore the user interface CommandManager menus toolbars and modeling techniques to create parts assemblies and drawings in an engineering environment Follow the step by step instructions and develop multiple parts and assemblies that combine machined plastic and sheet metal components

Formulate the skills to create modify and edit sketches and solid features Learn the techniques to reuse features parts and assemblies through symmetry patterns copied components design tables Bills of Materials Custom Properties and Configurations Address various SolidWorks analysis tools SimulationXpress Sustainability SustainabilityXpress and DFMXpress and Intelligent Modeling techniques Learn by doing not just by reading Desired outcomes and usage competencies are listed for each project Know your objective up front Follow the steps in Projects 1 8 to achieve the design goals Work between multiple documents features commands and custom properties that represent how engineers and designers utilize SolidWorks in industry Review individual features commands and tools with the enclosed multimedia DVD The projects contain exercises The exercises analyze and examine usage competencies Collaborate with leading industry suppliers such as SMC Corporation of America Boston Gear and 80 20 Inc Collaborative information translates into numerous formats such as paper drawings electronic files rendered images and animations On line intelligent catalogs guide designers to the product that meets both their geometric requirements and performance functionality The authors developed the industry scenarios by combining their own industry experience with the knowledge of engineers department managers vendors and manufacturers These professionals are directly involved with SolidWorks everyday Their responsibilities go far beyond the creation of just a 3D model The book is designed to compliment the SolidWorks Tutorials contained in SolidWorks 2012

**Engineering Graphics with SolidWorks 2012** David Planchard, Marie Planchard, 2012-03-12 Engineering Graphics with SolidWorks 2012 and Video Instruction DVD is written to assist technical school two year college four year university instructor student or industry professional that is a beginner or intermediate SolidWorks user The book combines the fundamentals of engineering graphics and dimensioning practices with a step by step project based approach to learning SolidWorks with the enclosed 1 5 hour Video Instruction DVD Learn by doing not just by reading The book is divided into two parts Engineering Graphics and SolidWorks 3D CAD software In Chapter 1 through Chapter 3 you explore the history of engineering graphics manual sketching techniques orthographic projection isometric projection multi view drawings dimensioning practices and the history of CAD leading to the development of SolidWorks In Chapter 4 through Chapter 8 you apply engineering graphics fundamentals and learn the SolidWorks User Interface Document and System properties simple parts simple and complex assemblies design tables configurations multi sheet multi view drawings Bill of Materials Revision tables basic and advanced features Follow the step by step instructions in over 70 activities to develop eight parts four sub assemblies three drawings and six document templates Formulate the skills to create and modify solid features to model a 3D FLASHLIGHT assembly Chapter 9 provides a bonus section on the Certified SolidWorks Associate CSWA program with sample exam questions and initial and final SolidWorks models Passing the CSWA exam proves to employers that you have the necessary fundamental engineering graphics and SolidWorks competencies Review individual features commands and tools for each project with the book s 1 5 hour Video Instruction DVD and SolidWorks Help The chapter exercises analyze



and examine usage competencies based on the project objectives The book is designed to compliment the SolidWorks Tutorials located in the SolidWorks Help menu Each section explores the SolidWorks Online User s Guide to build your working knowledge of SolidWorks Desired outcomes and usage competencies are listed for each project Know your objectives up front Follow the step by step procedures to achieve your design goals Work between multiple documents features commands and properties that represent how engineers and designers utilize SolidWorks in industry The authors developed the industry scenarios by combining their own industry experience with the knowledge of engineers department managers vendors and manufacturers These professionals are directly involved with SolidWorks everyday Their responsibilities go far beyond the creation of just a 3D model

Enhancing Performance, Efficiency, and Security Through Complex Systems Control Chana, Idriss, Bouazi, Aziz, Ben-azza, Hussain, 2024-01-22 Academic scholars and professionals in engineering strive to enhance the performance efficiency and security of complex systems but accessing comprehensive resources for these challenges can be daunting Enhancing Performance Efficiency and Security Through Complex Systems Control offers an ideal solution Edited by esteemed academics Idriss Chana Aziz Bouazi and Hussain Ben Azza this book presents a curated collection of scientific articles encompassing multidisciplinary themes like computer science artificial intelligence electrical engineering and control systems By consolidating cutting edge research and methodologies this book empowers scholars and professionals to improve the design modeling and control of complex systems It provides practical solutions showcases new ideas and explores innovative technologies to enhance performance efficiency and safety With a meticulous selection process involving internationally recognized scientific committees this book ensures the highest quality standards making it a reliable reference for researchers PhD students and academics Delve into the wide range of topics covered from artificial intelligence to smart systems and unlock the potential of complex systems control to advance your research endeavors

Collaborative Design Stephen A.R. Scrivener, Linden J. Ball, Andree Woodcock, 2012-12-06 Design occurs in a rich social context where the effectiveness and efficiency of social interaction and collective performance are key to successful outcomes Increasingly design is being explored and developed as a collective collaborative participatory and even community process The heightened recognition of designing as a social process has stimulated interest in collaborative design This book contains the proceedings of the international conference CoDesigning 2000 held in Coventry England September 2000 During this meeting exponents from a wide range of design domains came together to present and discuss perspectives on and new knowledge and understanding of collaborative design and the evidence for enhanced design performance through collaboration Within this volume different motivations for conceptions of and findings about collaborative design are addressed in 50 contributions by different research groups Structured into 6 sections according to the main fields of interest it provides a survey of the state of scientifically based knowledge and trends emerging from collaborative design research and their implications for a wide range of domains

Parametric Modeling with SolidWorks

2012 Randy Shih,Paul Schilling,2012-03-22 Parametric Modeling with SolidWorks 2012 contains a series of sixteen tutorial style lessons designed to introduce SolidWorks 2012 solid modeling and parametric modeling techniques and concepts This book introduces SolidWorks 2012 on a step by step basis starting with constructing basic shapes all the way through to the creation of assembly drawings and motion analysis This book takes a hands on exercise intensive approach to all the important Parametric Modeling techniques and concepts Each lesson introduces a new set of commands and concepts building on previous lessons The lessons guide the user from constructing basic shapes to building intelligent solid models assemblies and creating multi view drawings This book also covers some of the more advanced features of SolidWorks 2012 including how to use the SolidWorks Design Library basic motion analysis collision detection and analysis with SimulationXpress The exercises in this book cover the performance tasks that are included on the Certified SolidWorks Associate CSWA Examination Reference guides located at the front of the book and in each chapter show where these performance tasks are covered *SolidWorks 2012 Part II Advanced Techniques* Paul Tran,2011-11-30 SolidWorks 2012 Part II Advanced Techniques picks up where SolidWorks 2012 Part I Basic Tools leaves off Its aim is to take you from an intermediate user with a basic understanding of SolidWorks and modeling techniques to an advanced user capable of creating complex models and able to use the advanced tools provided by SolidWorks The text covers parts surfaces SimulationXpress sheet metal top down assemblies and core and cavity molds Every lesson and exercise in this book was created based on real world projects Each of these projects have been broken down and developed into easy and comprehensible steps for the reader Furthermore at the end of every chapter there are self test questionnaires to ensure that the reader has gained sufficient knowledge from each section before moving on to more advanced lessons This book takes the approach that in order to understand SolidWorks inside and out the reader should create everything from the beginning and take it step by step **BIM et maquette numérique** Guersendre Nagy,Olivier Celnik,Eric Lebègue,2015-12-02 Con u comme un mode d emploi ce trait livre toutes les cl s pour comprendre les enjeux et la mani re dont peuvent s articuler les diverses comp tences en donnant la parole la fois la ma trise d ouvrage la ma trise d oeuvre et aux entr **Introduction to Solid Modeling Using Solidworks 2012** William E. Howard,Musto,2012-09-01 Introduction to Solid Modeling Using SolidWorks 2012presents keystroke level tutorials providing users new to the SolidWorks program with all the detail they need to become confident using the software Topics are illustrated and infused with examples from the real world such as flanges brackets helical springs and more Additionally this easy to use guide has modular chapters allowing for flexible organization of a course or self study Accessible and updated for the newest version of software Introduction to Solid Modeling Using SolidWorks 2012by Howard and Musto relates solid modeling exercises to engineering concepts in a way that introduces the engineering design process while simultaneously building student proficiency with a state of the art software tool The Student Design Kit is no longer available as a download Instructors can receive free 1 year copies of

SolidWorks for their students by going to [www.solidworks.com/studentaccess](http://www.solidworks.com/studentaccess) Schools must be on subscription to receive free student software

**SolidWorks 2012 Tutorial** David C. Planchard, Marie P. Planchard, 2012 SolidWorks 2012 Tutorial with Video Instruction is target towards a technical school two year college four year university or industry professional that is a beginner or intermediate CAD user The text provides a student who is looking for a step by step project based approach to learning SolidWorks with an enclosed 1 5 hour video instruction DVD SolidWorks model files and preparation for the CSWA exam The book is divided into two sections Chapters 1 7 explore the SolidWorks User Interface and CommandManager Document and System properties simple machine parts simple and complex assemblies design tables configurations multi sheet multi view drawings BOMs Revision tables using basic and advanced features along with Intelligent Modeling Techniques SustainabilityXpress SimulationXpress and DFMXpress Chapters 8 11 prepare you for the new Certified SolidWorks Associate Exam CSWA The CSWA certification indicates a foundation in and apprentice knowledge of 3D CAD and engineering practices and principles Follow the step by step instructions and develop multiple assemblies that combine over 100 extruded machined parts and components Formulate the skills to create modify and edit sketches and solid features Learn the techniques to reuse features parts and assemblies through symmetry patterns copied components design tables and configurations Learn by doing not just by reading Desired outcomes and usage competencies are listed for each chapter Know your objective up front Follow the steps in each chapter to achieve your design goals Work between multiple documents features commands custom properties and document properties that represent how engineers and designers utilize SolidWorks in industry

**Drawing and Detailing With Solidworks 2012** David Planchard, Marie Planchard, 2012-05-11 Drawing and Detailing with SolidWorks 2012 is written to educate and assist students designers engineers and professionals in the drawing and detailing tools of SolidWorks Explore the learning process through a series of design situations industry scenarios projects and objectives target towards the beginning to intermediate SolidWorks user Work through numerous activities to create multiple view multiple sheet detailed drawings and assembly drawings Develop Drawing templates Sheet formats and Custom Properties Construct drawings that incorporate part configurations assembly configurations and design tables with equations Manipulate annotations in parts drawings assemblies Revision tables Bills of Materials and more Apply your drawing and detailing knowledge to over thirty exercises The exercises test your usage competency as well as explore additional topics with industry examples Advanced exercises require the ability to create parts and assemblies Drawing and Detailing with SolidWorks 2012 is not a reference book for all drafting and drawing techniques and tools The book provides information and examples in the following areas History of engineering graphics manual sketching techniques orthographic projection isometric projection multi view drawings dimensioning practices fasteners in general tolerance and fit and the history of CAD leading to the development of SolidWorks Start a SolidWorks 2012 session and to understand the following interfaces Menu bar toolbar Menu bar menu Drop down menus Context toolbars

Consolidated drop down toolbars System feedback icons Confirmation Corner Heads up View toolbar Document Properties and more Apply Document Properties to reflect the ASME Y14 Engineering Drawing and related Drawing Practices Import an AutoCAD file as a Sheet format Insert SolidWorks System Properties and Custom Properties Create new SolidWorks Document tabs Create multi sheet drawings from various part configurations and develop the following drawing views Standard Isometric Auxiliary Section Broken Section Detail Half Section Cut away Crop Projected Back with a Bill of Materials and a Revision Table and Revisions Insert and edit Dimensions Feature Control Frames Datums Geometric Tolerancing Surface Finishes and Weld Symbols using DimXpert and manual techniques Create apply and save Blocks and Parametric Notes in a drawing Chapter 10 provides a bonus section on the Certified SolidWorks Associate CSWA program with sample exam questions and initial and final SolidWorks models The book is designed to compliment the SolidWorks Users Guide SolidWorks Reference Guide Standards Engineering Drawing Design and Graphics Communications reference books The authors recognize that companies utilize additional drawing standards The authors developed the industry scenarios by combining industry experience with their knowledge of engineers sales vendors and manufacturers These professionals are directly involved with SolidWorks everyday Their work goes far beyond a simple drawing with a few dimensions They create detailed drawings assembly drawings marketing drawings and customer drawings SolidWorks users work between drawings parts assemblies and many other documents to complete a project on time

*Introduction to Solid Modeling Using SolidWorks 2012* William Howard, Joseph Musto, 2012-06-07 Introduction to Solid Modeling Using SolidWorks 2012 presents keystroke level tutorials providing users new to the SolidWorks program with all the detail they need to become confident using the software Topics are illustrated and infused with examples from the real world such as flanges brackets helical springs and more Additionally this easy to use guide has modular chapters allowing for flexible organization of a course or self study Accessible and updated for the newest version of software Introduction to Solid Modeling Using SolidWorks 2012 by Howard and Musto relates solid modeling exercises to engineering concepts in a way that introduces the engineering design process while simultaneously building student proficiency with a state of the art software tool The Student Design Kit is no longer available as a download Instructors can receive free 1 year copies of SolidWorks for their students by going to [www.solidworks.com/studentaccess](http://www.solidworks.com/studentaccess) Schools must be on subscription to receive free student software

Immerse yourself in heartwarming tales of love and emotion with its touching creation, Experience Love's Journey in **Guide Utilisation Solidworks 2012** . This emotionally charged ebook, available for download in a PDF format ( \*), is a celebration of love in all its forms. Download now and let the warmth of these stories envelop your heart.

<http://www.armchairempire.com/About/scholarship/fetch.php/great%20issues%20in%20american%20history%20vol%20i%20from%20settlement%20to%20revolution%201584%201776.pdf>

## **Table of Contents Guide Utilisation Solidworks 2012**

1. Understanding the eBook Guide Utilisation Solidworks 2012
  - The Rise of Digital Reading Guide Utilisation Solidworks 2012
  - Advantages of eBooks Over Traditional Books
2. Identifying Guide Utilisation Solidworks 2012
  - Exploring Different Genres
  - Considering Fiction vs. Non-Fiction
  - Determining Your Reading Goals
3. Choosing the Right eBook Platform
  - Popular eBook Platforms
  - Features to Look for in an Guide Utilisation Solidworks 2012
  - User-Friendly Interface
4. Exploring eBook Recommendations from Guide Utilisation Solidworks 2012
  - Personalized Recommendations
  - Guide Utilisation Solidworks 2012 User Reviews and Ratings
  - Guide Utilisation Solidworks 2012 and Bestseller Lists
5. Accessing Guide Utilisation Solidworks 2012 Free and Paid eBooks
  - Guide Utilisation Solidworks 2012 Public Domain eBooks
  - Guide Utilisation Solidworks 2012 eBook Subscription Services
  - Guide Utilisation Solidworks 2012 Budget-Friendly Options

6. Navigating Guide Utilisation Solidworks 2012 eBook Formats
  - ePub, PDF, MOBI, and More
  - Guide Utilisation Solidworks 2012 Compatibility with Devices
  - Guide Utilisation Solidworks 2012 Enhanced eBook Features
7. Enhancing Your Reading Experience
  - Adjustable Fonts and Text Sizes of Guide Utilisation Solidworks 2012
  - Highlighting and Note-Taking Guide Utilisation Solidworks 2012
  - Interactive Elements Guide Utilisation Solidworks 2012
8. Staying Engaged with Guide Utilisation Solidworks 2012
  - Joining Online Reading Communities
  - Participating in Virtual Book Clubs
  - Following Authors and Publishers Guide Utilisation Solidworks 2012
9. Balancing eBooks and Physical Books Guide Utilisation Solidworks 2012
  - Benefits of a Digital Library
  - Creating a Diverse Reading Collection Guide Utilisation Solidworks 2012
10. Overcoming Reading Challenges
  - Dealing with Digital Eye Strain
  - Minimizing Distractions
  - Managing Screen Time
11. Cultivating a Reading Routine Guide Utilisation Solidworks 2012
  - Setting Reading Goals Guide Utilisation Solidworks 2012
  - Carving Out Dedicated Reading Time
12. Sourcing Reliable Information of Guide Utilisation Solidworks 2012
  - Fact-Checking eBook Content of Guide Utilisation Solidworks 2012
  - Distinguishing Credible Sources
13. Promoting Lifelong Learning
  - Utilizing eBooks for Skill Development
  - Exploring Educational eBooks
14. Embracing eBook Trends
  - Integration of Multimedia Elements

- Interactive and Gamified eBooks

### **Guide Utilisation Solidworks 2012 Introduction**

Guide Utilisation Solidworks 2012 Offers over 60,000 free eBooks, including many classics that are in the public domain. Open Library: Provides access to over 1 million free eBooks, including classic literature and contemporary works. Guide Utilisation Solidworks 2012 Offers a vast collection of books, some of which are available for free as PDF downloads, particularly older books in the public domain. Guide Utilisation Solidworks 2012 : This website hosts a vast collection of scientific articles, books, and textbooks. While it operates in a legal gray area due to copyright issues, its a popular resource for finding various publications. Internet Archive for Guide Utilisation Solidworks 2012 : Has an extensive collection of digital content, including books, articles, videos, and more. It has a massive library of free downloadable books. Free-eBooks Guide Utilisation Solidworks 2012 Offers a diverse range of free eBooks across various genres. Guide Utilisation Solidworks 2012 Focuses mainly on educational books, textbooks, and business books. It offers free PDF downloads for educational purposes. Guide Utilisation Solidworks 2012 Provides a large selection of free eBooks in different genres, which are available for download in various formats, including PDF. Finding specific Guide Utilisation Solidworks 2012, especially related to Guide Utilisation Solidworks 2012, might be challenging as theyre often artistic creations rather than practical blueprints. However, you can explore the following steps to search for or create your own Online Searches: Look for websites, forums, or blogs dedicated to Guide Utilisation Solidworks 2012, Sometimes enthusiasts share their designs or concepts in PDF format. Books and Magazines Some Guide Utilisation Solidworks 2012 books or magazines might include. Look for these in online stores or libraries. Remember that while Guide Utilisation Solidworks 2012, sharing copyrighted material without permission is not legal. Always ensure youre either creating your own or obtaining them from legitimate sources that allow sharing and downloading. Library Check if your local library offers eBook lending services. Many libraries have digital catalogs where you can borrow Guide Utilisation Solidworks 2012 eBooks for free, including popular titles. Online Retailers: Websites like Amazon, Google Books, or Apple Books often sell eBooks. Sometimes, authors or publishers offer promotions or free periods for certain books. Authors Website Occasionally, authors provide excerpts or short stories for free on their websites. While this might not be the Guide Utilisation Solidworks 2012 full book , it can give you a taste of the authors writing style. Subscription Services Platforms like Kindle Unlimited or Scribd offer subscription-based access to a wide range of Guide Utilisation Solidworks 2012 eBooks, including some popular titles.

## FAQs About Guide Utilisation Solidworks 2012 Books

How do I know which eBook platform is the best for me? Finding the best eBook platform depends on your reading preferences and device compatibility. Research different platforms, read user reviews, and explore their features before making a choice. Are free eBooks of good quality? Yes, many reputable platforms offer high-quality free eBooks, including classics and public domain works. However, make sure to verify the source to ensure the eBook credibility. Can I read eBooks without an eReader? Absolutely! Most eBook platforms offer web-based readers or mobile apps that allow you to read eBooks on your computer, tablet, or smartphone. How do I avoid digital eye strain while reading eBooks? To prevent digital eye strain, take regular breaks, adjust the font size and background color, and ensure proper lighting while reading eBooks. What the advantage of interactive eBooks? Interactive eBooks incorporate multimedia elements, quizzes, and activities, enhancing the reader engagement and providing a more immersive learning experience. Guide Utilisation Solidworks 2012 is one of the best book in our library for free trial. We provide copy of Guide Utilisation Solidworks 2012 in digital format, so the resources that you find are reliable. There are also many Ebooks of related with Guide Utilisation Solidworks 2012. Where to download Guide Utilisation Solidworks 2012 online for free? Are you looking for Guide Utilisation Solidworks 2012 PDF? This is definitely going to save you time and cash in something you should think about.

### Find Guide Utilisation Solidworks 2012 :

**great issues in american history vol i from settlement to revolution 1584 1776**

[graphic design theory graphic design theory](#)

**granof practice set solutions manual**

**graphic anaesthesia essential diagrams equations and tables for anaesthesia**

[graphique de la rue the signs of paris](#)

[gratis mitsubishi carisma service manual](#)

[graphical data analysis with r chapman & hallcrc the r series](#)

[great weapon fighter guide neverwinter](#)

[graveyard study guides](#)

[grandma pandas china storybook legends traditions and fun](#)

**green remodeling changing the world one room at a time**

[gratins mijotes collectif](#)

**grandes questions europennes concours administratifs**



**graphing calculator scavenger hunt lois coles answer key**  
[grasshopper 727k manual](#)

## **Guide Utilisation Solidworks 2012 :**

**product hobart** - Jun 13 2023

web profi amxx series innovation is at the core of our existence at hobart enabling us to produce the most cost effective machines on the market with features specifically designed to maximise efficiency and capacity reduce energy and save on labour water and detergent costs

**dwg66cd50t duvar tipi davlumbaz bosch ev aletleri tr** - Sep 04 2022

web bosch dwg66cd50t serie 4 duvar tipi davlumbaz bosch markası olarak sizlere sunduğumuz ürün ve hizmetlerle ilgili görüşlerinizi paylaşmanız bizim için çok önemli

*hobart hl300 mikser hobart türkiye distribütörü* - Nov 06 2022

web hobart hl300 mikser hobart türkiye distribütörü 28 litre paslanmaz çelik hazne 3 hızlı 1 kademe 94 rpm 2 kademe 174 rpm ve 3 kademe 317 rpm karıştırma spir hızı 58 rpm Ölçüler 67 76 126 cmhobart türkiye bizi arayın 90 212 221 2620

*amxx hobart* - Jan 28 2022

web hood type dishwasher for straight through or corner operation nominal capacity up to 70 racks h or 1 260 plates h or 2 520 glasses h 6 automatic cycles short standard intensive starch removal permanent hygiene multi setting booster capacity may be reduced from 12 4 kw to 6 2 kw if connected with hot water

*hobart dishwasher amxx r1300 30 pdf uniport edu* - Aug 03 2022

web hobart dishwasher amxx r1300 30 1 14 downloaded from uniport edu ng on june 5 2023 by guest hobart dishwasher amxx r1300 30 getting the books hobart dishwasher amxx r1300 30 now is not type of challenging means you could not solitary going later book stock or library or borrowing from your associates to get into them

**hobart amxx1300 technical drawing device diagram** - May 12 2023

web hobart amxx1300 spare parts technical drawing device diagram control pcb dishwasher am amx 700 900 suitable for hobart buttons 4 available 402 904 eeprom type rev 10 4 5d51 for dishwasher suitable for hobart code 897503 2 17 07 07 available 403 217 00 897503 002 897503 2 897503 403217 foil heating

**hobart dishwasher amxx r1300 30 secure4 khronos** - Oct 05 2022

web not uncover the journal hobart dishwasher amxx r1300 30 that you are looking for this is also one of the aspects by procuring the digital documents of this hobart dishwasher amxx r1300

*hobart dishwasher amxx r1300 30 pdf 2023 voto uncal edu* - Jul 02 2022

web hobart dishwasher amxx r1300 30 pdf upload dona t williamson 1 7 downloaded from voto uncal edu br on august 22 2023 by dona t williamson hobart dishwasher amxx r1300 30 pdf hobart dishwasher amxx r1300 30 pdf hobart dishwasher amxx r1300 30 pdf book review unveiling the magic of language

**hobart dishwasher amxx r1300 30 magazine mediamarkt nl** - Mar 10 2023

web hobart amxx 1300 fixya hobart amxx 31 dishwasher technic manual fracos de hobart dishwasher amxs 16 manual wordpress com hobart dishwasher for sale in uk view 36 bargains drain pump hobart amxxf1300 30 dishwasher as catering 00000 amx series amxx series new style2 new2 fastus 80w drain pump hobart ams900 10 am900

**hobart dishwasher amxx r1300 30 dev bolfoods com** - Feb 09 2023

web hobart dishwasher amxx r1300 30 june 14th 2018 hobart amxxs 10a hood dishwasher with in built softener the amxxs 10a profi line has everything a professional dishwasher needs the successful product series by hobart can be found in action wherever the clean work of a real professional is needed to cle hobart amx 20a

hobart dishwasher amxx r1300 30 book - Mar 30 2022

web hobart dishwasher amxx r1300 30 the crown of thorns sep 24 2022 asong s sense of the human predicament is astounding it is above all the story of guilt in a world ridden with self interest professor rudy wiebe university of alberta castle on the rise nov 14 2021 spanning more than two centuries in ireland castle on the rise

*hobart vikipedi* - Feb 26 2022

web hobart derwent nehri nin halicinde 42 52 s 147 19 e koordinatlarında kurulmuştur ana şehir merkezi yerel idare olarak hobart Şehri batı sahillerinde sullivan s körfezi nin hemen yanında bulunmaktadır büyük hobart yerel idare açısından üç ayrı bağımsız yerel idareye bölünmüştür hobart Şehri city of

hobart dishwasher amxx r1300 30 cbb waroengss com - Dec 07 2022

web hobart dishwasher amxx r1300 30 hobart dishwasher amxx r1300 30 00000 amx series amxx series new style2 new2 fastus hobart amx 20a manuals catalog of replacement parts hobart hobart passthrough dishwasher model amxxrs 30 list amp label report b2b lfspareparts724 com user manual hobart amxxr

**amxxr hobart** - Aug 15 2023

web hood type dishwasher for straight through or corner operation integrated drain heat recovery nominal capacity up to 70 racks h or 1 260 plates h or 2 520 glasses h 6 automatic cycles short standard intensive starch removal permanent hygiene

**amx hobart** - Jul 14 2023

web ready to install completely equipped fill drain hose electrical cable detergent dispenser rinse aid dispenser rinse pump drain pump and back flow preventer tank frame wash rinse arms and panels are stainless steel 1 4301 1 plate rack p 18 12

*hobart dishwasher amxx r1300 30* - Dec 27 2021

web hobart dishwasher amxx r1300 30 list amp label report b2b lfspareparts724 com june 10th 2018 for dishwasher fagor fi 30 fi 48 fi 48b for dishwasher hobart gw600 for dishwasher hood type hobart amxx amxxt hobart 323534 3 lt t1 hobart t1 gt hobart manual downloads catering equipment and repairs

**hobart dishwasher amxx r1300 30 lp docseducation** - Apr 11 2023

web apr 30 2023 hobart dishwasher amxx r1300 30 hobart dishwasher amxx r1300 30 service manual cater solutions hobart profi amx hood type dishwasher hobart hobart amxxr 30 passthrough commercial hood dishwasher hobart the market leader for commercial warewashers hobart amxx 10a hood

**13 cm hoparlör fiyatları ve modelleri hepsiburada** - Jun 01 2022

web lsound dış mekan horn aqua hoparlör 30 cm 350 watt 5 692 00 tl leone 130 13 cm 20 watt max 40 watt tweetersız oto hoparlör magnet 60x17mm 307 99 tl boschmann xwd 5508 max 500w rms 90w13cm mıdrange 2 649 80 tl jameson oto hoparlör 13cm 120w 1 adet fullsound 1420d 11 249 80 tl

**basket frame complete hobart amxxr1300 30 dishwasher** - Jan 08 2023

web basket frame complete hobart amxxr1300 30 dishwasher hobart dishwasher glasswasher spares buy online from a s catering supplies for fast delivery

**hobart dishwasher amxx r1300 30 test reportandsupport gold ac** - Apr 30 2022

web plainly put the hobart dishwasher amxx r1300 30 is universally suitable with any devices to download hobart dishwasher amxx r1300 30 is accessible in our novel assemblage an online access to it is set as public so you can get it instantaneously you could quickly retrieve this hobart dishwasher amxx r1300 30 after receiving discount

wenn wir uns finden a millionaire trilogy 2 germa pdf election - Mar 16 2022

web wenn wir uns finden a millionaire trilogy 2 germa 2014 03 23 5 15 wenn wir uns finden a millionaire trilogy 2 germa the millionaire training 2021 04 28 es ist der 21 februar 1981 ein sonniger morgen in los angeles kalifornien an dem sich die top distributoren der neu gegründeten herbalife

**000000000000002 Şiiri singled welson antoloji com** - Apr 16 2022

web jun 3 2021 000000000000002 şiiirini okumak için tıklayın singled welson tarafından yazılan 000000000000002 şiiiri ve diğer şair singled welson şiiirleri antoloji com da

wenn man millionär wär fernsehserien de - Feb 12 2022

web wenn man millionär wär erinnerungs service per e mail tv wunschliste informiert dich kostenlos wenn wenn man millionär wär online als stream verfügbar ist oder im fernsehen läuft jetzt anmelden

wenn wir uns finden a millionaire trilogy 2 germa pdf - May 30 2023

web wenn wir uns finden a millionaire trilogy 2 germa character ideology and symbolism in the plays of wedekind sternheim

kaiser toller and brecht mar 31 2021 miami millionaires club tanner feb 10 2022 er ist sicherheitsexperte und sie braucht seinen schutz mehr als er ahnt

wenn wir uns finden a millionaire trilogy 2 goodreads - Apr 28 2023

web a millionaire trilogy 2 wenn wir uns finden freya miles 3 71 14 ratings 2

**wenn wir uns finden a millionaire trilogy 2 german edition** - Jan 26 2023

web wenn wir uns finden a millionaire trilogy 2 german edition ebook miles freya amazon it kindle store passa al contenuto principale it ciao scegli il tuo indirizzo kindle store seleziona la categoria in cui desideri effettuare la

wenn wir uns finden a millionaire trilogy 2 germa domainlookup - Sep 21 2022

web door to the publication as capably as perspicacity of this wenn wir uns finden a millionaire trilogy 2 germa can be taken as without difficulty as picked to act fate audrey carlan 2017 08 22 not many can say they were burned by fate i m the exception scalded figuratively emotionally and physically

kapitel 102 gooddreams wir kaufen deine traume spotify - Jun 18 2022

web choose a language this updates what you read on open spotify com

amazon in customer reviews wenn wir uns finden millionaire trilogy - Feb 24 2023

web find helpful customer reviews and review ratings for wenn wir uns finden millionaire trilogy volume 2 german edition at amazon com read honest and unbiased product reviews from our users

**wenn wir uns finden a millionaire trilogy 2 german edition** - Oct 03 2023

web jun 29 2016 amazon com wenn wir uns finden a millionaire trilogy 2 german edition ebook miles freya kindle store

**wenn wir uns finden a millionaire trilogy 2 germa pdf** - Dec 25 2022

web wenn wir uns finden a millionaire trilogy 2 germa the millionaire fastlane dec 12 2022 millionaire gianni save the date with the millionaire rhett save the date with the millionaire verluste ersparen wenn es um ihr wertvollstes geht ihr geld deshalb empfiehlt er einen spar und investmentplan der sich in den alltag f"ugt und

**wenn wir uns finden a millionaire trilogy 2 germa pdf** - May 18 2022

web may 15 2023 wir uns finden a millionaire trilogy 2 germa as you such as by searching the title publisher or authors of guide you in fact want you can discover them rapidly in the house workplace or perhaps in your method can be all best area within net connections if you set sights on to download and install the wenn wir uns finden a millionaire

wenn wir uns finden a millionaire trilogy 2 germa herbert w - Oct 23 2022

web jan 7 2023 4717847 wenn wir uns finden a millionaire trilogy 2 germa 1 5 downloaded from beta carlislebrandtires com on by guest if you ally need such a referred wenn wir uns finden a millionaire trilogy 2 germa books that will pay for you worth get the enormously best seller from us currently from several preferred authors if

**wenn wir uns finden a millionaire trilogy 2 kindle ausgabe amazon de** - Aug 01 2023

web wenn wir uns finden a millionaire trilogy 2 freya miles 4 3 von 5 sternen 1 508 kindle edition 2 99 3 wo wir uns finden a millionaire trilogy 3 freya miles 4 4 von 5 sternen 1 255 kindle edition 2 99 next page produktinformation asin

wenn wir uns finden a millionaire trilogy 2 german edition - Jun 30 2023

web achetez et téléchargez ebook wenn wir uns finden a millionaire trilogy 2 german edition boutique kindle littérature sentimentale amazon fr wenn wir uns finden a millionaire trilogy 2 german edition ebook miles freya amazon fr boutique kindle

*wenn wir uns finden a millionaire trilogy 2 germa pdf* - Jul 20 2022

web may 14 2023 wenn wir uns finden a millionaire trilogy 2 germa 2 10 downloaded from uniport edu ng on may 14 2023 by guest someone to help him prove to his father that he s definitely ready to marry yet jeanie s combination of beauty and bluntness act like an aphrodisiac and their for the press kisses look incredibly real

*wenn wir uns finden a millionaire trilogy 2 germa pdf* - Aug 21 2022

web jul 27 2023 amazon erh ltlichen millionaire trilogy wenn du mich findest wenn wir uns finden wo wir uns finden f r ein besseres verst ndnis w re die kenntnis der oben genannten b cher sinnvoll soul audrey carlan 2015 03 28 i was a dead woman i d finally had a glimpse of true love admiration and the kind of devotion only your soulmate your

**wenn wir uns finden a millionaire trilogy 2 germa download** - Nov 23 2022

web wenn wir uns finden a millionaire trilogy 2 germa the german classics from the fourth to the nineteenth century feb 12 2022 gesammelte blätter apr 21 2020 badische landwirthe und gutsbesitzer bericht Über die wanderversammlung may 03 2021 grundzuge der physiologischen psychologie jul 05 2021 schillers sämtliche

wenn wir uns finden millionaire trilogy band 2 taschenbuch amazon de - Sep 02 2023

web wenn wir uns finden millionaire trilogy band 2 miles freya isbn 9783946534082 kostenloser versand für alle bücher mit versand und verkauf duch amazon

wenn wir uns finden a millionaire trilogy 2 kindle edition amazon de - Mar 28 2023

web select the department you want to search in

**120 sexy indian gaand ke pics big ass xxx photos** - Mar 29 2022

web mar 15 2021 indian ass ke 8 latest photos 118 sexy desi ass pics badi indian gaand ke photos ye hoti he sexy indian gaand desi girl priya ki gaand ki photos

badi gaand ke photos desi aur wideshi big ass pics - Apr 29 2022

web jun 9 2023 badi gaand ke photos big ass wali indian aur wideshi ladies ke pics badi gaand ke photos dekhe jisme flashing aur fucking dono ho raha he

badi gand on pinterest - May 11 2023

web a adbhut wallpaper badi gand 10 most beautiful women beautiful women videos beautiful women pictures most beautiful bollywood actress character design beauty

**desi gand desii gand instagram photos and videos** - Aug 14 2023

web 41k followers 1 following 124 posts see instagram photos and videos from desi gand desii gand

1 329 gand stock photos images pictures dreamstime - Dec 06 2022

web download gand stock photos free or royalty free photos and images use them in commercial designs under lifetime perpetual worldwide rights dreamstime is the

on **pinterest** - Mar 09 2023

web big hips in shalwar qameez girls pics cool photos collection big hips in shalwar qameez girls pics indian shalwar kamiz girls ass photos islamabad girls gand pics

badi gand badi gand instagram photos and videos - Jun 12 2023

web 67 followers 406 following 3 posts see instagram photos and videos from badi gand badi gand

rohansolanki2842 pinterest - Jul 01 2022

web actress aishwarya rai latest photos photo shoot hot photos beautiful celebrities indian celebrities illusions curves bollywood fashion urvashi rautela glamour

this site was shutdown sucksex com - Feb 25 2022

web this site was shutdown discover more indian porn sites or at 3sex com sexy tiktok instagram reels videos indian porn sites or at 3sex com sexy tiktok instagram

**badi gand facebook** - Jul 13 2023

web badi gand 39 298 likes 2 talking about this company

**badi gand bhopal facebook** - Apr 10 2023

web badi gand bhopal 8 556 likes 12 talking about this i am b boy

**gand stock photos and images 123rf** - May 31 2022

web your gand stock images are here download photos for free or search from millions of hd quality photos illustrations and vectors use them in your designs and social media

**bhai ne gand me lund diya archive org** - Jan 07 2023

web feb 20 2018 bhai ne gand me lund diya 

**badi gand ka photo form signnow** - Nov 05 2022

web video instructions and help with filling out and completing badi gand ka photo form find a suitable template on the internet read all the field labels carefully start filling out the

**badi badi gand photo pdf help environment harvard edu** - Aug 02 2022

web in the middle of guides you could enjoy now is badi badi gand photo below a new english hindustani dictionary s w fallon 1883 cocktail codex alex day 2018 10 30

*badi badi gand photo copy ci kubesail* - Sep 03 2022

web badi badi gand photo 3 3 already a reality star and successful businesswoma n when her relationship with kanye hit the tabloids his talent as a rap artist and songwriter has

*gand photos and premium high res pictures getty images* - Oct 04 2022

web browse 6 578 authentic gand stock photos high res images and pictures or explore additional hand or grand stock images to find the right photo at the right size and

**gand photos and premium high res pictures getty images** - Feb 08 2023

web browse getty images premium collection of high quality authentic gand stock photos royalty free images and pictures gand stock photos are available in a variety of sizes