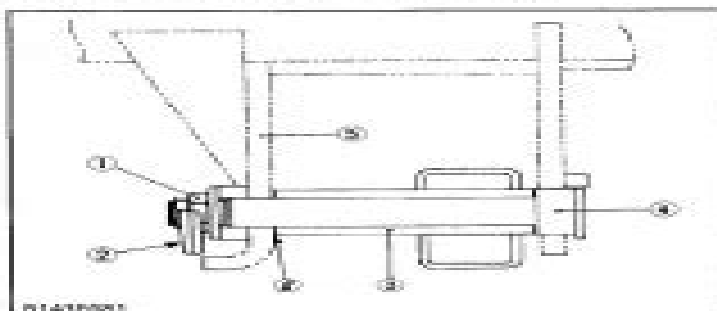


[2] REAR AXLE CHECKING AND ADJUSTING



Rear Axle End Play

1. Jack up the rear of frame.
2. Measure the clearance (A) between the rear axle (3) and rear axle support (5).
3. If the measurement exceeds the allowable limit, adjust the nut (1).

NOTE

- When fastening the center pin (4), first tighten the nut (1) until the rear axle can turn smoothly, then loosen the nut the nearest pin hole is reached, and finally put the spring lock pin in position.

Rear axle end play	Factory Spec.	0.1 to 0.4 mm
	Allowable Limit	0.5 mm

(1) Nut

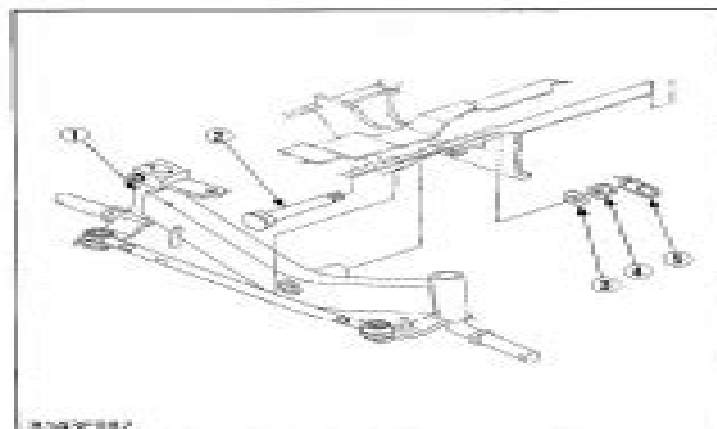
(2) Spring Lock Pin

(3) Rear Axle

(4) Center Pin

(5) Rear Axle Support

DISASSEMBLING AND ASSEMBLING



Separating Rear Axle

1. Support the frame with a jack.
2. Remove the spring lock pin (5), and unscrew the nut (4).
3. Tap out the center pin (2) reverse and separate the rear axle (1) from the frame.

(When reassembling)

NOTE

- When fasten the center pin (2), first tighten the nut (4) until the rear axle can turn smoothly, then loosen the nut until the nearest pin hole is reached, and finally put the spring lock pin (5) in position.
- After reassembling the rear axle, inject grease until it comes out.

(1) Rear Axle

(2) Center Pin

(3) Plain Washer

(4) Nut

(5) Spring Lock Pin

Kubota F1900 Workshop Manual

Puja Mehta



Kubota F1900 Workshop Manual:

Unveiling the Energy of Verbal Art: An Emotional Sojourn through **Kubota F1900 Workshop Manual**

In some sort of inundated with monitors and the cacophony of immediate transmission, the profound power and psychological resonance of verbal art often disappear in to obscurity, eclipsed by the constant assault of noise and distractions. However, located within the lyrical pages of **Kubota F1900 Workshop Manual**, a fascinating work of literary beauty that impulses with fresh thoughts, lies an wonderful trip waiting to be embarked upon. Composed by a virtuoso wordsmith, that mesmerizing opus instructions viewers on a psychological odyssey, delicately exposing the latent potential and profound impact stuck within the intricate web of language. Within the heart-wrenching expanse with this evocative evaluation, we can embark upon an introspective exploration of the book is central themes, dissect their interesting publishing design, and immerse ourselves in the indelible effect it leaves upon the depths of readers souls.

<http://www.armchairempire.com/files/browse/index.jsp/jacuzzi%20premium%20manual.pdf>

Table of Contents Kubota F1900 Workshop Manual

1. Understanding the eBook Kubota F1900 Workshop Manual
 - The Rise of Digital Reading Kubota F1900 Workshop Manual
 - Advantages of eBooks Over Traditional Books
2. Identifying Kubota F1900 Workshop Manual
 - Exploring Different Genres
 - Considering Fiction vs. Non-Fiction
 - Determining Your Reading Goals
3. Choosing the Right eBook Platform
 - Popular eBook Platforms
 - Features to Look for in an Kubota F1900 Workshop Manual
 - User-Friendly Interface
4. Exploring eBook Recommendations from Kubota F1900 Workshop Manual
 - Personalized Recommendations

- Kubota F1900 Workshop Manual User Reviews and Ratings
- Kubota F1900 Workshop Manual and Bestseller Lists
- 5. Accessing Kubota F1900 Workshop Manual Free and Paid eBooks
 - Kubota F1900 Workshop Manual Public Domain eBooks
 - Kubota F1900 Workshop Manual eBook Subscription Services
 - Kubota F1900 Workshop Manual Budget-Friendly Options
- 6. Navigating Kubota F1900 Workshop Manual eBook Formats
 - ePub, PDF, MOBI, and More
 - Kubota F1900 Workshop Manual Compatibility with Devices
 - Kubota F1900 Workshop Manual Enhanced eBook Features
- 7. Enhancing Your Reading Experience
 - Adjustable Fonts and Text Sizes of Kubota F1900 Workshop Manual
 - Highlighting and Note-Taking Kubota F1900 Workshop Manual
 - Interactive Elements Kubota F1900 Workshop Manual
- 8. Staying Engaged with Kubota F1900 Workshop Manual
 - Joining Online Reading Communities
 - Participating in Virtual Book Clubs
 - Following Authors and Publishers Kubota F1900 Workshop Manual
- 9. Balancing eBooks and Physical Books Kubota F1900 Workshop Manual
 - Benefits of a Digital Library
 - Creating a Diverse Reading Collection Kubota F1900 Workshop Manual
- 10. Overcoming Reading Challenges
 - Dealing with Digital Eye Strain
 - Minimizing Distractions
 - Managing Screen Time
- 11. Cultivating a Reading Routine Kubota F1900 Workshop Manual
 - Setting Reading Goals Kubota F1900 Workshop Manual
 - Carving Out Dedicated Reading Time
- 12. Sourcing Reliable Information of Kubota F1900 Workshop Manual
 - Fact-Checking eBook Content of Kubota F1900 Workshop Manual

- Distinguishing Credible Sources
- 13. Promoting Lifelong Learning
 - Utilizing eBooks for Skill Development
 - Exploring Educational eBooks
- 14. Embracing eBook Trends
 - Integration of Multimedia Elements
 - Interactive and Gamified eBooks

Kubota F1900 Workshop Manual Introduction

Kubota F1900 Workshop Manual Offers over 60,000 free eBooks, including many classics that are in the public domain. Open Library: Provides access to over 1 million free eBooks, including classic literature and contemporary works. Kubota F1900 Workshop Manual Offers a vast collection of books, some of which are available for free as PDF downloads, particularly older books in the public domain. Kubota F1900 Workshop Manual : This website hosts a vast collection of scientific articles, books, and textbooks. While it operates in a legal gray area due to copyright issues, its a popular resource for finding various publications. Internet Archive for Kubota F1900 Workshop Manual : Has an extensive collection of digital content, including books, articles, videos, and more. It has a massive library of free downloadable books. Free-eBooks Kubota F1900 Workshop Manual Offers a diverse range of free eBooks across various genres. Kubota F1900 Workshop Manual Focuses mainly on educational books, textbooks, and business books. It offers free PDF downloads for educational purposes. Kubota F1900 Workshop Manual Provides a large selection of free eBooks in different genres, which are available for download in various formats, including PDF. Finding specific Kubota F1900 Workshop Manual, especially related to Kubota F1900 Workshop Manual, might be challenging as theyre often artistic creations rather than practical blueprints. However, you can explore the following steps to search for or create your own Online Searches: Look for websites, forums, or blogs dedicated to Kubota F1900 Workshop Manual, Sometimes enthusiasts share their designs or concepts in PDF format. Books and Magazines Some Kubota F1900 Workshop Manual books or magazines might include. Look for these in online stores or libraries. Remember that while Kubota F1900 Workshop Manual, sharing copyrighted material without permission is not legal. Always ensure youre either creating your own or obtaining them from legitimate sources that allow sharing and downloading. Library Check if your local library offers eBook lending services. Many libraries have digital catalogs where you can borrow Kubota F1900 Workshop Manual eBooks for free, including popular titles. Online Retailers: Websites like Amazon, Google Books, or Apple Books often sell eBooks. Sometimes, authors or publishers offer promotions or free periods for certain books. Authors Website Occasionally, authors provide excerpts or short stories for free on their websites. While this might not be the Kubota F1900

Workshop Manual full book , it can give you a taste of the authors writing style.Subscription Services Platforms like Kindle Unlimited or Scribd offer subscription-based access to a wide range of Kubota F1900 Workshop Manual eBooks, including some popular titles.

FAQs About Kubota F1900 Workshop Manual Books

How do I know which eBook platform is the best for me? Finding the best eBook platform depends on your reading preferences and device compatibility. Research different platforms, read user reviews, and explore their features before making a choice. Are free eBooks of good quality? Yes, many reputable platforms offer high-quality free eBooks, including classics and public domain works. However, make sure to verify the source to ensure the eBook credibility. Can I read eBooks without an eReader? Absolutely! Most eBook platforms offer webbased readers or mobile apps that allow you to read eBooks on your computer, tablet, or smartphone. How do I avoid digital eye strain while reading eBooks? To prevent digital eye strain, take regular breaks, adjust the font size and background color, and ensure proper lighting while reading eBooks. What the advantage of interactive eBooks? Interactive eBooks incorporate multimedia elements, quizzes, and activities, enhancing the reader engagement and providing a more immersive learning experience. Kubota F1900 Workshop Manual is one of the best book in our library for free trial. We provide copy of Kubota F1900 Workshop Manual in digital format, so the resources that you find are reliable. There are also many Ebooks of related with Kubota F1900 Workshop Manual. Where to download Kubota F1900 Workshop Manual online for free? Are you looking for Kubota F1900 Workshop Manual PDF? This is definitely going to save you time and cash in something you should think about. If you trying to find then search around for online. Without a doubt there are numerous these available and many of them have the freedom. However without doubt you receive whatever you purchase. An alternate way to get ideas is always to check another Kubota F1900 Workshop Manual. This method for see exactly what may be included and adopt these ideas to your book. This site will almost certainly help you save time and effort, money and stress. If you are looking for free books then you really should consider finding to assist you try this. Several of Kubota F1900 Workshop Manual are for sale to free while some are payable. If you arent sure if the books you would like to download works with for usage along with your computer, it is possible to download free trials. The free guides make it easy for someone to free access online library for download books to your device. You can get free download on free trial for lots of books categories. Our library is the biggest of these that have literally hundreds of thousands of different products categories represented. You will also see that there are specific sites catered to different product types or categories, brands or niches related with Kubota F1900 Workshop Manual. So depending on what exactly you are searching, you will be able to choose e books to suit your own need. Need to access completely for Campbell Biology Seventh Edition

book? Access Ebook without any digging. And by having access to our ebook online or by storing it on your computer, you have convenient answers with Kubota F1900 Workshop Manual To get started finding Kubota F1900 Workshop Manual, you are right to find our website which has a comprehensive collection of books online. Our library is the biggest of these that have literally hundreds of thousands of different products represented. You will also see that there are specific sites catered to different categories or niches related with Kubota F1900 Workshop Manual So depending on what exactly you are searching, you will be able to choose ebook to suit your own need. Thank you for reading Kubota F1900 Workshop Manual. Maybe you have knowledge that, people have search numerous times for their favorite readings like this Kubota F1900 Workshop Manual, but end up in harmful downloads. Rather than reading a good book with a cup of coffee in the afternoon, instead they juggled with some harmful bugs inside their laptop. Kubota F1900 Workshop Manual is available in our book collection an online access to it is set as public so you can download it instantly. Our digital library spans in multiple locations, allowing you to get the most less latency time to download any of our books like this one. Merely said, Kubota F1900 Workshop Manual is universally compatible with any devices to read.

Find Kubota F1900 Workshop Manual :

[jacuzzi premium manual](#)

iveco daily 3 1999 2006 service repair workshop manual 1999 2000 2001 2002 2003 2004 2005 2006

[it essentials 1 version 5 pass guide](#)

[jaarboek centraal bureau voor genealogie deel 36 1982](#)

itil service transition study guide

jackson inferno dishwasher manual

ive seen you naked a navigational guide to airport security

[iterature nd ts riters 6th dition ducating ita](#)

~~italiano yamaha tmax 500 service manual~~

j7 emi sbi credit card

[ithemba nursing school date of selection test 2014](#)

[jabra bluetooth manual bt125](#)

iveco truck repair manual

jaffe manual of surgical procedures

[jaguar manuals free](#)

Kubota F1900 Workshop Manual :

numerisches python numerisches programmieren in - Jul 14 2023

web numerisches python arbeiten mit numpy matplotlib und pandas klein bernd amazon com tr kitap

numerisches python arbeiten mit numpy matplotlib und pandas - Aug 15 2023

web numerisches python arbeiten mit numpy matplotlib und pandas klein bernd isbn 9783446450769 kostenloser versand für alle bücher mit versand und verkauf duch amazon

numerisches python arbeiten mit numpy matplotlib pdf - Jun 01 2022

web sind die mathematischen anwendungen sowie die arbeit mit numpy matplotlib sympy und vpython mit zahlreichen aufgaben und losungen aus dem inhalt die programmiersprache python grundlagen objektorientiertes programmieren

numerische berechnungen mit numpy graphische darstellungen mit matplotlib computeralgebra

numerisches python arbeiten mit numpy matplotlib und - Apr 11 2023

web aug 7 2023 download citation on aug 7 2023 bernd klein published numerisches python arbeiten mit numpy matplotlib und pandas find read and cite all the research you need on researchgate book

numerisches python arbeiten mit numpy matplotlib eric s - Oct 25 2021

numerisches python arbeiten mit numpy matplotlib und - Feb 09 2023

web numerisches python arbeiten mit numpy matplotlib und pandas klein bernd amazon de books

numerisches python arbeiten mit numpy matplotlib pdf - Jan 28 2022

web jul 19 2023 der autor stellt insbesondere die module numpy scipy und matplotlib vor die naturwissenschaftlern und ingenieuren eine perfekte entwicklungsumgebung für wissenschaftliches und technisches rechnen für

numerisches python arbeiten mit numpy scipy matplotlib und - Oct 05 2022

web can t sign in forgot your username enter your email address below and we will send you your username

numerisches python - Jul 02 2022

web success next to the broadcast as capably as acuteness of this numerisches python arbeiten mit numpy matplotlib can be taken as competently as picked to act docker for data science joshua cook 2017 08 23 learn docker infrastructure as code

technology to define a system for performing standard but non trivial data tasks on medium to large

numerisches python arbeiten mit numpy matplotlib und pandas - Mar 10 2023

web jul 8 2019 buy numerisches python arbeiten mit numpy matplotlib und pandas german edition read kindle store reviews amazon com

numerisches python arbeiten mit numpy matplotlib pdf - Nov 25 2021

bernd klein numerisches python arbeiten mit numpy - Sep 04 2022

web 7 numerische operationen auf numpy arrays pages 68 95 first page pdf

free numerisches python arbeiten mit numpy matplotlib - Mar 30 2022

web numerisches python arbeiten mit numpy matplotlib einführung in python python data analytics python data analytics fundamentals of fiber orientation 4 numerisches python arbeiten mit numpy matplotlib 2021 04 25 could provide and took them up on their offer after decades in business and retirement at age seventy five with

numerisches python arbeiten mit numpy matplotlib wrbb neu - Dec 27 2021

web aug 12 2023 numerisches python arbeiten mit numpy matplotlib is open in our digital library an online permission to it is set as public as a result you can download it instantly our digital library saves in combined countries allowing you to get the most less latency epoch to download any of our books as soon as this one merely said the numerisches

numerisches python einführung in numpy - May 12 2023

web hanser inhalt vorwortxv dankagungxvi 1einleitung1 1 1 dierichtigewahl 1 1 2 aufbaudesbuches 2 1 3python installation3 1 4 downloadderbeispiele3 1 5anregungenundkritik 3 2 numerischesprogrammierenmitpython5 2 1 definitionvonnumerischerprogrammierung5

numerisches python arbeiten mit numpy matplotlib und pandas - Dec 07 2022

web numerisches python arbeiten mit numpy scipy matplotlib und pandas klein bernd amazon com au books

pdf python for chemistry an introduction to python algorithms - Feb 26 2022

web we allow numerisches python arbeiten mit numpy matplotlib and numerous books collections from fictions to scientific research in any way among them is this numerisches python arbeiten mit numpy matplotlib that can be your partner

python kurs mit numpy matrix arithmetik in numpy - Jan 08 2023

web numerisches python arbeiten mit numpy matplotlib und pandas informationen zum buch bücher kaufen wenn ihnen diese webseite gefällt was wir natürlich sehr hoffen dann können sie meine arbeit unterstützen wenn sie eines meiner bücher oder beide bücher kaufen oder weiterempfehlen

numerisches python arbeiten mit numpy matplotlib und - Jun 13 2023

web python in kombination mit numpy scipy matplotlib und pandas kann prinzipiell als vollwertiger ersatz für matlab genutzt werden bei python und seinen modulen handelt es sich um freie software free software oder open source frei steht hier im sinne von frei heit und nicht von frei bier auch wenn python kostenlos ist

python kurs mit numpy numerische operationen auf - Nov 06 2022

web aug 31 2023 69 2 mb epub mobi azw3 beschreibung grundlagen zur lösung numerischer probleme mit python verarbeitung großer datenmengen mit numpy z b im maschinellen lernen datenvisualisierung mit matplotlib ideal für

personen aus wissenschaft ingenieurwesen und datenanalyse ideal zum umstieg von matlab auf

numerisches python hanser books - Aug 03 2022

web 2 numerisches python arbeiten mit numpy matplotlib 2020 08 13 master interactive development using the jupyter platform run and build docker containers from scratch and from publicly available open source images write infrastructure as code using the docker compose tool and its docker compose yml file type deploy a multi service data

numerisches python arbeiten mit numpy matplotlib dongming - Apr 30 2022

web apr 19 2023 this book outlines the fundamentals of python coding through the built in functions libraries and modules as well as with a few selected external packages for

gepaart mit den berserkern ebook by lee savino rakuten kobo - May 10 2023

web read gepaart mit den berserkern die berserker saga 2 by lee savino available from rakuten kobo ein highlander und ein wiking erheben anspruch auf ihre frau Über hundert jahre lang haben die berserker krieg er f

gepaart mit den berserkern bücher de - Dec 05 2022

web Über hundert jahre lang haben die berserker krieg er für könige gekämpft und getötet es gibt nur einen feind den wir nicht besiegen können die bestie in uns eine hexe hat uns von jemandem erzählt der uns retten kann eine frau mit wolfsmalen wir haben sie gefunden und anspruch auf sie erhoben

gepaart mit den berserkern by lee savino is available in these - Oct 03 2022

web ein highlander und ein wiking erheben anspruch auf ihre frau Über hundert jahre lang haben die berserker krieg er für könige gekämpft und getötet es gibt nur einen feind den wir nicht besiegen können die bestie in uns eine hexe hat uns vo

gepaart mit den berserkern 2 die berserker saga paperback - Nov 04 2022

web gepaart mit den berserkern 2 die berserker saga savino lee krug michael amazon in books

berserk wikipedia - Mar 28 2022

web berserk meaning very angry or out of control may refer to berserk a 1989 japanese manga by kentaro miura berserk 1997 tv series the first anime adaptation of the manga berserk 2016 tv series a second adaptation berserk the golden age arc a film trilogy adaptation released in 2012 and 2013 berserk and the band of the hawk a

smashwords gepaart mit den berserkern a book by lee savino - Aug 01 2022

web nov 29 2020 es gibt nur einen feind den wir nicht besiegen können die bestie in uns eine hexe hat uns von jemandem erzählt der uns retten kann eine frau mit wolfsmalen wir haben sie gefunden und smashwords gepaart mit den berserkern

gepaart berserkern by savino lee abebooks - Sep 02 2022

web gepaart mit den berserkern die berserker saga german edition soft cover by savino lee and a great selection of related books art and collectibles available now at abebooks com

[gepaart mit den berserkern die berserker saga 2 thalia](#) - Mar 08 2023

web beschreibung ein highlander und ein wikinger erheben anspruch auf ihre frau Über hundert jahre lang haben die berserker krieger für könige gekämpft und getötet es gibt nur einen feind den wir nicht besiegen können die bestie in uns

[gepaart mit den berserkern die berserker saga 2 amazon de](#) - Oct 15 2023

web Über hundert jahre lang haben die berserker krieger für könige gekämpft und getötet es gibt nur einen feind den wir nicht besiegen können die bestie in uns eine hexe hat uns von jemandem erzählt der uns retten kann eine frau mit wolfsmalen wir haben sie gefunden und anspruch auf sie erhoben aber wird sie uns als gefährten

gepaart mit den berserkern die berserker saga 2 kindle edition - Jul 12 2023

web gepaart mit den berserkern die berserker saga 2 ebook savino lee krug michael amazon de kindle store

gepaart mit den berserkern 2 die berserker saga - Jan 06 2023

web buy gepaart mit den berserkern 2 die berserker saga by savino lee krug michael isbn 9781648470011 from amazon s book store everyday low prices and free delivery on eligible orders

[berserk anime planet](#) - Feb 24 2022

web fall 1997 4 123 out of 5 from 25 337 votes rank 523 screenshots born beneath the gallows tree from which his dead mother hung guts has always existed on the boundary between life and death after enduring a terrible childhood he spends his adulthood in brutal combat pitting his strength against others in order to build his own

gepaart mit den berserkern german paperback savino lee - Apr 28 2022

web gepaart mit den berserkern by savino lee from flipkart com only genuine products 30 day replacement guarantee free shipping cash on delivery

[gepaart mit den berserkern by lee savino overdrive](#) - Apr 09 2023

web nov 29 2020 Über hundert jahre lang haben die berserker krieger für könige gekämpft und getötet es gibt nur einen feind den wir nicht besiegen können die bestie in uns eine hexe hat uns von jemandem erzählt der uns retten kann eine frau mit wolfsmalen wir haben sie gefunden und anspruch auf sie erhoben aber wird sie uns als

gepaart mit den berserkern 2 amazon singapore - Sep 14 2023

web hello sign in account lists returns orders cart

gepaart mit den berserkern die berserker saga german - Jun 30 2022

web abebooks com gepaart mit den berserkern die berserker saga german edition 9781648470011 by savino lee and a great selection of similar new used and collectible books available now at great prices

[gepaart mit den berserkern die berserker saga 2 german](#) - Aug 13 2023

web dec 4 2019 gepaart mit den berserkern die berserker saga 2 german edition kindle edition by savino lee krug michael

download it once and read it on your kindle device pc phones or tablets use features like bookmarks note taking and highlighting while reading gepaart mit den berserkern die berserker saga 2 german edition

[mated to the berserkers berserker saga 2 goodreads](#) - Jun 11 2023

web sep 20 2016 1 689 ratings 251 reviews a highlander and viking claim their woman for over 100 years the berserker warriors have fought and killed for kings there is but one enemy we cannot defeat the beast within a witch told us of the one who can save us a woman marked by the wolf we found and claimed her but will she accept us as mates

[gepaart mit den berserkern 2 amazon com au](#) - Feb 07 2023

web gepaart mit den berserkern 2 savino lee krug michael amazon com au books

gepaart mit den berserkern die berserker saga german - May 30 2022

web gepaart mit den berserkern die berserker saga german edition savino lee amazon sg books

[les 101 merveilles du monde 1ed lonely planet fr lisez](#) - Jan 09 2023

web oct 3 2019 les 101 merveilles du monde 1ed lonely planet fr date de parution 03 10 2019 Éditeurs relie alb 24 90 acheter sur lisez com acheter sur lonelyplanet fr les trésors de la planète à la portée de tous les voyageurs un livre pour rêver et surtout pour imaginer ses prochains voyages

[son dakika le monde hakkında güncel haber ve bilgiler hürriyet](#) - Jul 03 2022

web jun 25 2021 le monde güncelleme tarihi haziran 25 2021 23 46 le monde haberleri sayfasında le monde hakkında son dakika haberler ve güncel bilgiler bulunmaktadır toplam 2481 le monde haberi videosu

[les 101 merveilles du monde 1ed lonely planet fr amazon fr](#) - Dec 08 2022

web les 101 merveilles du monde 1ed relié grand livre 3 octobre 2019 les 101 merveilles du monde 1ed relié grand livre 3 octobre 2019 les trésors de la planète à la portée de tous les voyageurs un livre pour rêver et surtout pour imaginer ses prochains voyages

le monde 1ed lire en ligne livre francais - Mar 31 2022

web feb 17 2019 data blog metadescription

[le monde 1ed livre d occasion](#) - Nov 07 2022

web auteur collectif lonely planet isbn 9782816151886 Édition lonely planet livraison gratuite expédiée en 24h satisfait ou remboursé

[plongée autour du monde 1ed broché e leclerc](#) - Dec 28 2021

web voir les caractéristiques description cinquante récits de plongeurs aguerris qui présentent des sites emblématiques à travers le monde des cénotes au mexique à l épave de liberty à bali en passant par le relief marin de l île de pâques

actualités du jour et en direct le monde - Apr 12 2023

web suivez les actualités du jour et infos en direct sur le monde retrouvez tous les articles du journal international france economie faits divers culture sport sur paris

[le monde 1ed darelova com](#) - Jun 02 2022

web le monde 1ed le monde 1ed 1 downloaded from darelova com on 2023 02 05 by guest le monde 1ed when people should go to the book stores search commencement by shop shelf by shelf it is essentially problematic this is why we allow the books compilations in this website it will totally ease you to look guide le monde 1ed as you such as

amazon com customer reviews le monde 1ed - Aug 04 2022

web find helpful customer reviews and review ratings for le monde 1ed at amazon com read honest and unbiased product reviews from our users

le monde türkçe bilgi - Feb 27 2022

web le monde dünya liberal sol bir fransız günlük gazetedir 1944 yılında hubert beuve mí ry tarafından kurulan gazete figaro ile birlikte fransa nın en önemli gazetelerinden birisi olmuştur 2002 yılında ortalama günlük 400 000 adet basılmıştır le monde nin yüzde 53 ü kurucularına ve çalışanlarına aittir

le monde 1ed collectif lonely planet amazon fr livres - Aug 16 2023

web en stock de a comme afghanistan à z comme zimbabwe un guide lonely planet couvrant tous les pays du monde véritable bible du voyageur cet ouvrage synthétise les connaissances et l expertise de lonely planet en un guide exhaustif couvrant tous les

le monde 1ed archives d anna - Jun 14 2023

web la plus grande bibliothèque open source et open data au monde inclut sci hub library genesis z library et plus 21 331 950 livres 86 614 409 articles de recherche 2 451 042 bandes dessinées 508 998 magazines préservés pour toujours learn more

[le monde fr actualités et infos en france et dans le monde](#) - May 13 2023

web le monde fr 1er site d information les articles du journal et toute l actualité en continu international france société economie culture environnement blogs

[le monde wikipe di](#) - May 01 2022

web le monde dünya liberal sol bir fransız günlük gazetedir 1944 yılında hubert beuve méry tarafından kurulan gazete le figaro ile birlikte fransa nın en önemli gazetelerinden birisi olmuştur 2002 yılında ortalama günlük 400 000 adet basılmıştır le monde nin yüzde 53 ü kurucularına ve çalışanlarına aittir yüzde 47 si ise danone die bank bnp paribas

le grand tour du monde 1ed lonely planet amazon fr - Feb 10 2023

web relié 29 34 3 d occasion à partir de 29 34 partez autour du monde avec lonely planet un jeu pour revivre ses voyages et

rêver à de nouvelles destinations petits et grands ce jeu donnera à tous le goût de l aventure À l aide du dé faites le tour du monde en répondant au plus de questions possible

le monde 1ed [amazon](#) - Mar 11 2023

web [amazon](#) *le monde 1ed* [amazon](#) *le monde 1ed*

le monde 1ed help environment harvard edu - Sep 05 2022

web 1 le monde 1ed recognizing the way ways to acquire this book le monde 1ed is additionally useful you have remained in right site to start getting this info get the le monde 1ed partner that we offer here and check out the link

[le monde 1ed collectif free download borrow and streaming](#) - Jul 15 2023

web sep 24 2015 le monde 1ed by collectif publication date 2015 09 24 publisher lonely planet france collection inlibrary printdisabled internetarchivebooks digitizing sponsor kahle austin foundation contributor internet archive language english notes cut off text on some pages due to tight inner and outer margin access restricted item true addeddate

le monde 1ed livros na amazon brasil 9782816151886 - Oct 06 2022

web compre o livro le monde 1ed na amazon com br confira as ofertas para livros em inglês e importados le monde 1ed livros na amazon brasil 9782816151886 pular para conteúdo principal

le monde à vélo 1ed broché collectif achat livre fnac - Jan 29 2022

web nov 2 2017 le monde à vélo 1ed collectif lonely planet des milliers de livres avec la livraison chez vous en 1 jour ou en magasin avec 5 de réduction le monde à vélo 1ed broché collectif achat livre fnac