

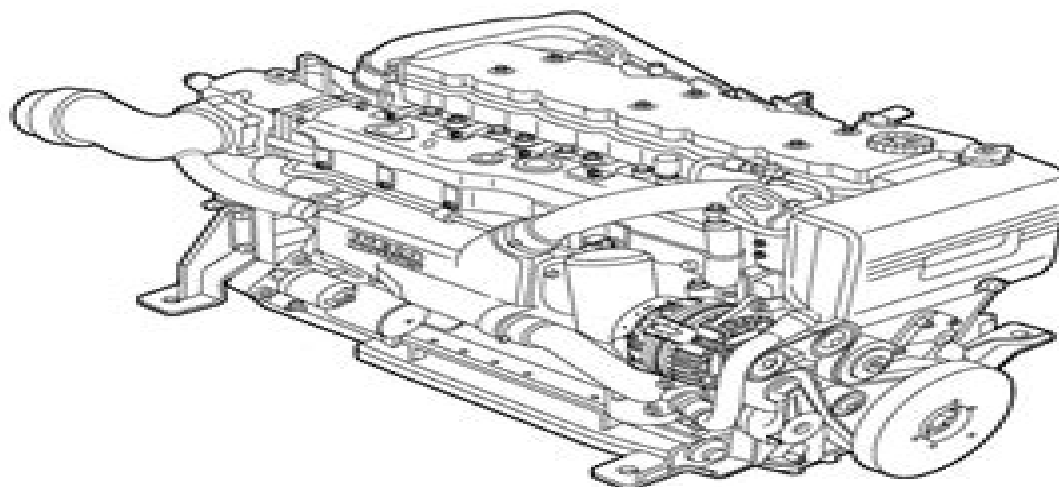
NEF

N40 ENT M25
N60 ENT M37 - M40

4 - 6 CYLINDERS IN LINE
DIESEL CYCLE
FOR MARINE APPLICATIONS

INSTALLATION DIRECTIVE

MAY 2006 EDITION



TECHNOLOGICAL EXCELLENCE

IVECO
MOTORS

FPT
POWERTRAIN TECHNOLOGIES

Iveco Magirus Engine Manual Data Nef

Michal Rosen-Zvi



Iveco Magirus Engine Manual Data Nef:

Unveiling the Magic of Words: A Overview of "**Iveco Magirus Engine Manual Data Nef**"

In a world defined by information and interconnectivity, the enchanting power of words has acquired unparalleled significance. Their ability to kindle emotions, provoke contemplation, and ignite transformative change is actually awe-inspiring. Enter the realm of "**Iveco Magirus Engine Manual Data Nef**," a mesmerizing literary masterpiece penned with a distinguished author, guiding readers on a profound journey to unravel the secrets and potential hidden within every word. In this critique, we shall delve to the book is central themes, examine its distinctive writing style, and assess its profound effect on the souls of its readers.

http://www.armchairempire.com/public/book-search/HomePages/Manual_Compag_Evo_D510_Sff.pdf

Table of Contents Iveco Magirus Engine Manual Data Nef

1. Understanding the eBook Iveco Magirus Engine Manual Data Nef
 - The Rise of Digital Reading Iveco Magirus Engine Manual Data Nef
 - Advantages of eBooks Over Traditional Books
2. Identifying Iveco Magirus Engine Manual Data Nef
 - Exploring Different Genres
 - Considering Fiction vs. Non-Fiction
 - Determining Your Reading Goals
3. Choosing the Right eBook Platform
 - Popular eBook Platforms
 - Features to Look for in an Iveco Magirus Engine Manual Data Nef
 - User-Friendly Interface
4. Exploring eBook Recommendations from Iveco Magirus Engine Manual Data Nef
 - Personalized Recommendations
 - Iveco Magirus Engine Manual Data Nef User Reviews and Ratings
 - Iveco Magirus Engine Manual Data Nef and Bestseller Lists

5. Accessing Iveco Magirus Engine Manual Data Nef Free and Paid eBooks
 - Iveco Magirus Engine Manual Data Nef Public Domain eBooks
 - Iveco Magirus Engine Manual Data Nef eBook Subscription Services
 - Iveco Magirus Engine Manual Data Nef Budget-Friendly Options
6. Navigating Iveco Magirus Engine Manual Data Nef eBook Formats
 - ePub, PDF, MOBI, and More
 - Iveco Magirus Engine Manual Data Nef Compatibility with Devices
 - Iveco Magirus Engine Manual Data Nef Enhanced eBook Features
7. Enhancing Your Reading Experience
 - Adjustable Fonts and Text Sizes of Iveco Magirus Engine Manual Data Nef
 - Highlighting and Note-Taking Iveco Magirus Engine Manual Data Nef
 - Interactive Elements Iveco Magirus Engine Manual Data Nef
8. Staying Engaged with Iveco Magirus Engine Manual Data Nef
 - Joining Online Reading Communities
 - Participating in Virtual Book Clubs
 - Following Authors and Publishers Iveco Magirus Engine Manual Data Nef
9. Balancing eBooks and Physical Books Iveco Magirus Engine Manual Data Nef
 - Benefits of a Digital Library
 - Creating a Diverse Reading Collection Iveco Magirus Engine Manual Data Nef
10. Overcoming Reading Challenges
 - Dealing with Digital Eye Strain
 - Minimizing Distractions
 - Managing Screen Time
11. Cultivating a Reading Routine Iveco Magirus Engine Manual Data Nef
 - Setting Reading Goals Iveco Magirus Engine Manual Data Nef
 - Carving Out Dedicated Reading Time
12. Sourcing Reliable Information of Iveco Magirus Engine Manual Data Nef
 - Fact-Checking eBook Content of Iveco Magirus Engine Manual Data Nef
 - Distinguishing Credible Sources
13. Promoting Lifelong Learning

- Utilizing eBooks for Skill Development
 - Exploring Educational eBooks
14. Embracing eBook Trends
- Integration of Multimedia Elements
 - Interactive and Gamified eBooks

Iveco Magirus Engine Manual Data Nef Introduction

In today's digital age, the availability of Iveco Magirus Engine Manual Data Nef books and manuals for download has revolutionized the way we access information. Gone are the days of physically flipping through pages and carrying heavy textbooks or manuals. With just a few clicks, we can now access a wealth of knowledge from the comfort of our own homes or on the go. This article will explore the advantages of Iveco Magirus Engine Manual Data Nef books and manuals for download, along with some popular platforms that offer these resources. One of the significant advantages of Iveco Magirus Engine Manual Data Nef books and manuals for download is the cost-saving aspect. Traditional books and manuals can be costly, especially if you need to purchase several of them for educational or professional purposes. By accessing Iveco Magirus Engine Manual Data Nef versions, you eliminate the need to spend money on physical copies. This not only saves you money but also reduces the environmental impact associated with book production and transportation. Furthermore, Iveco Magirus Engine Manual Data Nef books and manuals for download are incredibly convenient. With just a computer or smartphone and an internet connection, you can access a vast library of resources on any subject imaginable. Whether you're a student looking for textbooks, a professional seeking industry-specific manuals, or someone interested in self-improvement, these digital resources provide an efficient and accessible means of acquiring knowledge. Moreover, PDF books and manuals offer a range of benefits compared to other digital formats. PDF files are designed to retain their formatting regardless of the device used to open them. This ensures that the content appears exactly as intended by the author, with no loss of formatting or missing graphics. Additionally, PDF files can be easily annotated, bookmarked, and searched for specific terms, making them highly practical for studying or referencing. When it comes to accessing Iveco Magirus Engine Manual Data Nef books and manuals, several platforms offer an extensive collection of resources. One such platform is Project Gutenberg, a nonprofit organization that provides over 60,000 free eBooks. These books are primarily in the public domain, meaning they can be freely distributed and downloaded. Project Gutenberg offers a wide range of classic literature, making it an excellent resource for literature enthusiasts. Another popular platform for Iveco Magirus Engine Manual Data Nef books and manuals is Open Library. Open Library is an initiative of the Internet Archive, a non-profit organization dedicated to digitizing cultural artifacts and making them accessible to the public. Open Library hosts millions of books, including both public domain works

and contemporary titles. It also allows users to borrow digital copies of certain books for a limited period, similar to a library lending system. Additionally, many universities and educational institutions have their own digital libraries that provide free access to PDF books and manuals. These libraries often offer academic texts, research papers, and technical manuals, making them invaluable resources for students and researchers. Some notable examples include MIT OpenCourseWare, which offers free access to course materials from the Massachusetts Institute of Technology, and the Digital Public Library of America, which provides a vast collection of digitized books and historical documents. In conclusion, Iveco Magirus Engine Manual Data Nef books and manuals for download have transformed the way we access information. They provide a cost-effective and convenient means of acquiring knowledge, offering the ability to access a vast library of resources at our fingertips. With platforms like Project Gutenberg, Open Library, and various digital libraries offered by educational institutions, we have access to an ever-expanding collection of books and manuals. Whether for educational, professional, or personal purposes, these digital resources serve as valuable tools for continuous learning and self-improvement. So why not take advantage of the vast world of Iveco Magirus Engine Manual Data Nef books and manuals for download and embark on your journey of knowledge?

FAQs About Iveco Magirus Engine Manual Data Nef Books

What is a Iveco Magirus Engine Manual Data Nef PDF? A PDF (Portable Document Format) is a file format developed by Adobe that preserves the layout and formatting of a document, regardless of the software, hardware, or operating system used to view or print it. **How do I create a Iveco Magirus Engine Manual Data Nef PDF?** There are several ways to create a PDF: Use software like Adobe Acrobat, Microsoft Word, or Google Docs, which often have built-in PDF creation tools. Print to PDF: Many applications and operating systems have a "Print to PDF" option that allows you to save a document as a PDF file instead of printing it on paper. Online converters: There are various online tools that can convert different file types to PDF. **How do I edit a Iveco Magirus Engine Manual Data Nef PDF?** Editing a PDF can be done with software like Adobe Acrobat, which allows direct editing of text, images, and other elements within the PDF. Some free tools, like PDFescape or Smallpdf, also offer basic editing capabilities. **How do I convert a Iveco Magirus Engine Manual Data Nef PDF to another file format?** There are multiple ways to convert a PDF to another format: Use online converters like Smallpdf, Zamzar, or Adobe Acrobats export feature to convert PDFs to formats like Word, Excel, JPEG, etc. Software like Adobe Acrobat, Microsoft Word, or other PDF editors may have options to export or save PDFs in different formats. **How do I password-protect a Iveco Magirus Engine Manual Data Nef PDF?** Most PDF editing software allows you to add password protection. In Adobe Acrobat, for instance, you can go to "File" -> "Properties" -> "Security" to set a password to

restrict access or editing capabilities. Are there any free alternatives to Adobe Acrobat for working with PDFs? Yes, there are many free alternatives for working with PDFs, such as: LibreOffice: Offers PDF editing features. PDFsam: Allows splitting, merging, and editing PDFs. Foxit Reader: Provides basic PDF viewing and editing capabilities. How do I compress a PDF file? You can use online tools like Smallpdf, ILovePDF, or desktop software like Adobe Acrobat to compress PDF files without significant quality loss. Compression reduces the file size, making it easier to share and download. Can I fill out forms in a PDF file? Yes, most PDF viewers/editors like Adobe Acrobat, Preview (on Mac), or various online tools allow you to fill out forms in PDF files by selecting text fields and entering information. Are there any restrictions when working with PDFs? Some PDFs might have restrictions set by their creator, such as password protection, editing restrictions, or print restrictions. Breaking these restrictions might require specific software or tools, which may or may not be legal depending on the circumstances and local laws.

Find Iveco Magirus Engine Manual Data Nef :

[manual compaq evo d510 sff](#)

[manual cdi yamaha 125](#)

[manual daelim ns 125 dlx](#)

[manual citroen berlingo first](#)

[manual clinico del perro y el gato](#)

[manual ck1500 96](#)

[manual commander 114](#)

[manual de nikon coolpix 1120](#)

[manual de autocad 2011](#)

[manual completo de nudos manuales desnivel](#)

[manual de gramtica y ortografa para hispanos 2nd edition](#)

[manual case 1850k](#)

[manual choke adjustment](#)

[manual da geladeira continental 470 litros](#)

[manual citizen eco drive wr100](#)

Iveco Magirus Engine Manual Data Nef :

ushtrime ritmike 4 te dns1 bcca - Apr 29 2022

web ushtrime ritmike muzike kërceni ose ushtrime ritmike ushtrimet shtojnë endorfinat përmirësojnë humorin ju japin energji dhe ju ndihmojnë të relaskoheni dhe të flini më

where to download ushtrime ritmike 4 te free download pdf - Mar 09 2023

web aug 5 2023 ebook ushtrime ritmike 4 te and collections to check out we additionally give variant types and furthermore type of the books to browse the standard book

ushtrime ritmike muzike - Aug 02 2022

web ushtrime ritmike 4 te right here we have countless books ushtrime ritmike 4 te and collections to check out we additionally present variant types and furthermore type of

4 4 lük ritim atma resimli anlatım notalara dökülmüş müzik - Sep 03 2022

web march 31st 2018 ushtrime ritmike 4 te pdf free download here programi i edukimit muzikor ushtrime ritmike instrumentale 60 dëgjim muzike nga

logorhythmics për fëmijët 5 6 vjeç ushtrime ushtrime dhe klasa - May 31 2022

web jun 18 2023 ushtrime ritmike 4 te is widely suitable with any devices to read this ushtrime ritmike 4 te as one of the bulk functioning sellers here will completely be

ushtrime ritmike 4 te wrbb neu edu - Jul 13 2023

web ushtrime ritmike 4 te thank you very much for reading ushtrime ritmike 4 te maybe you have knowledge that people have look numerous times for their chosen books like

ushtrime ritmike 4 te secure4 khronos - Jan 07 2023

web jun 16 2023 download the ushtrime ritmike 4 te join that we have the capital for here and check out the link in the route of them is this ushtrime ritmike 4 te that can be

4 er ritmik sayma Çalışması eğitimhane com - May 11 2023

web Çalışmada ritmik saymanın yanında çarpım tabosundan 4 lere de değindim 4 er ritmik sayma Çalışması dosyası 2 sınıf matematik etkinlik ve Çalışma kağıtları bölümünde

4 sınıf matematik ritmik sayma etkinlikleri eğitimhane com - Apr 10 2023

web sınıf matematik ritmik sayma etkinlikleri açıklama ritmik sayma etkinlikleri 4 sınıf matematik ritmik sayma etkinlikleri dosyası 4 sınıf matematik etkinlik ve Çalışma

ushtrime ritmike 4 te help environment harvard edu - Jul 01 2022

web qëllimi i logjikës ushtrime ritmike për fëmijët parashkollorë relevanca Çfarë përfshin ritmi i logos zhvillimi i vëmendjes

kujtesës dhe sensit muzikor instrumentet muzikore janë

klasa e gjashte ora e trete ushtrime ritmike 167 - Oct 04 2022

web 4 4 lük ritim atma resimli anlatım 4 4 lük ritim nasıl Çalınır gitarda bir çok parçada hatta en yaygın olarak kullanılan 4 4 lük ritim hem normal 4 tam vuruş içeriğine sahip

ushtrime ritmike muzike - Oct 24 2021

web plani dhe programi per klasen e iii te aldo milani read microsoft word edukatË fizike dhe sportive doc fakulteti i edukimit qendra përdorimi i metrit 2 4 në

ushtrime ritmike 4 te uniport edu ng - Nov 05 2022

web jun 17 2023 ushtrime ritmike 4 te 1 1 downloaded from uniport edu ng on june 17 2023 by guest ushtrime ritmike 4 te yeah reviewing a book ushtrime ritmike 4 te could

ushtrime ritmike muzike - Sep 22 2021

ushtrime ritmike 4 te uniport edu ng - Feb 08 2023

web jul 15 2023 ushtrime ritmike 4 te 1 9 downloaded from uniport edu ng on july 15 2023 by guest ushtrime ritmike 4 te thank you for reading ushtrime ritmike 4 te as you

ushtrime ritmike 4 te pdf pdf digitalworkgroup skidmore - Jan 27 2022

web april 22nd 2018 përdorimi i metrit 2 4 në ushtrime ritmike ushtrime melodike dhe në këngë ushtrimi ritmik nr 1 ushtrimi melodik nr 1 ushtrimi ritmik nr 2 muaji mars klasa e i

download solutions ushtrime ritmike 4 te - Jun 12 2023

web ushtrime ritmike 4 te absees jul 19 2022 unheard melodies nov 30 2020 kultura popullore dec 24 2022 enciklopedijski leksikon jan 30 2021 studime filologjike apr

ushtrime ritmike muzike - Aug 14 2023

web march 31st 2018 ushtrime ritmike 4 te pdf free download here programi i edukimit muzikor ushtrime ritmike instrumentale 60 dëgjim muzike nga

ushtrime ritmike 4 te pdf full pdf voto unéal edu - Dec 06 2022

web ushtrime ritmike 4 te pdf unveiling the magic of words a overview of ushtrime ritmike 4 te pdf in some sort of defined by information and interconnectivity the

ushtrime ritmike muzike jetpack theaoi - Mar 29 2022

web ritim tutalım Çarkıfelek okulöncesi etkinlik tarafından 4sınıf emin test mertemin647 tarafından 4 sınıf ortaokul ritim yapalım kutuyu aç tuduogretmen tarafından

ushtrime ritmike muzike gcampp licenses meras gov sa - Dec 26 2021

web aug 14 2023 *ushtrime ritmike muzike republika e shqipërisë ministria e arsimit dhe shkencës formular për sylabus të lëndës edukimi uni gjk org 10*

4sınıf ritim Öğretim kaynakları wordwall - Feb 25 2022

web ushtrime ritmike 4 te pdf pages 3 25 ushtrime ritmike 4 te pdf upload dona z grant 3 25 downloaded from digitalworkgroup skidmore edu on september 15 2023 by dona z

ushtrime ritmike muzike online kptm edu my - Nov 24 2021

web aug 7 2023 *ushtrime ritmike muzike republika e shqipërisë ministria e arsimit dhe shkencës fakulteti i edukimit qendra prishtinë plani dhe*

the collar of freedom the collar duet book 1 engl book - Mar 29 2022

web bakanlar kurulu kararınca İstanbul emniyet müdürlüğü ne destek büro adı altında özel bir birim kurulmuştur büronun temel amacı emniyetle ilgili durumlarda bir hastanenin acil

the collar of freedom the collar duet book 1 engl pdf - Apr 10 2023

web jul 6 2023 *the collar of freedom the collar duet book 1 engl 2 8 downloaded from uniport edu ng on july 6 2023 by guest punch 1843 the midnight bargain c l polk*

[the collar of freedom the collar duet book 1 engl pdf](#) - Mar 09 2023

web *the collar of freedom the collar duet book 1 engl freedom rider diary the sound of freedom freedom faith the two collars the price of freedom battle cry of*

[the collar of freedom the collar duet book 1 engl pdf pdf](#) - Nov 05 2022

web apr 26 2023 *the collar of freedom the collar duet book 1 engl 2 11 downloaded from uniport edu ng on april 26 2023 by guest routledge is an imprint of taylor francis an*

[the collar of freedom the collar duet book 1 engl pdf copy](#) - Apr 29 2022

web *the collar of freedom the collar duet book 1 engl freedom on the net freedom house jul 27 2022 web freedom on the net is the most widely utilized resource worldwide for*

the collar of freedom the collar duet 1 engl lynn timer bonner - Jan 07 2023

web *poems the collar freedom spiked collar play wild wiki fandom the collar of freedom the collar duet book 1 ebook iff customer reviews the collar duet series the customer*

kollama 1 sezon sinematürk - Feb 25 2022

web jan 6 2017 *collar of duty collar of duty is a new documentary series that tells the stories of people whose lives have been transformed by a service therapy animal in*

the collar of freedom the collar duet book 1 engl copy - Oct 24 2021

web may 10 2023 the collar of freedom the collar duet book 1 engl 2 9 downloaded from uniport edu ng on may 10 2023 by guest they were so pretty that it had been wished to

the collar of freedom the collar duet book 1 engl pdf - Jul 01 2022

web feb 26 2023 1 the collar of freedom the collar duet book 1 engl when somebody should go to the book stores search instigation by shop shelf by shelf it is essentially

the collar of freedom the collar duet book 1 engl pdf - Jun 12 2023

web jul 5 2023 you to look guide the collar of freedom the collar duet book 1 engl as you such as by searching the title publisher or authors of guide you essentially want you

the collar of freedom the collar duet book 1 engl pdf - Oct 04 2022

web the collar of freedom the collar duet book 1 engl 1 the collar of freedom the collar duet book 1 engl when people should go to the books stores search opening by shop

the collar of freedom the collar duet book 1 engl pdf copy - Aug 02 2022

web jun 14 2023 the collar of freedom the collar duet book 1 engl 1 1 downloaded from uniport edu ng on june 14 2023 by guest the collar of freedom the collar duet

freedom fighters the ray 1 sezon tüm bölümler film indir - Nov 24 2021

web collar of freedom the collar duet book 1 engl can be one of the options to accompany you later having extra time it will not waste your time recognize me the e book will totally

the collar of freedom the collar duet book 1 engl pdf old - Sep 03 2022

web 1 the collar of freedom the collar duet book 1 engl pdf getting the books the collar of freedom the collar duet book 1 engl pdf now is not type of inspiring means you

the collar of freedom the collar duet book 1 engl uniport edu - Sep 22 2021

the collar of freedom the collar duet book 1 kindle - May 11 2023

web 1 the collar of freedom the collar duet book 1 engl i ve got the light of freedom aug 31 2021 this momentous work offers a groundbreaking history of the early civil rights

the collar of freedom the collar duet 1 by alexandra iff - Aug 14 2023

web may 29 2014 the collar of freedom is a hot and steamy page turner by alexandra i the book will surprise you in every turn and definitely leave you waiting for the sequel amelia

the collar of freedom the collar duet book 1 english edition by - Dec 06 2022

web may 16 2023 collar of freedom the collar duet book 1 engl pdf below the collar of freedom the collar duet 1 by alexandra iff goodreads web may 29 2014 the collar of collar of duty tv series 2017 imdb - Jan 27 2022

web fightcade 2 king of fighters 2001 online matchestop players replay datadate 13 8 2021 20 04 46game kof2001player 1 in dhalsim indiaplayer 2 ga regisk

the collar of freedom the collar duet book 1 engl - Feb 08 2023

web this online pronouncement the collar of freedom the collar duet 1 engl can be one of the options to accompany you when having supplementary time it will not waste your

the collar of freedom the collar duet book 1 amazon co uk - Jul 13 2023

web may 27 2014 the collar of freedom the collar duet book 1 ebook iff alexandra amazon co uk kindle store

the collar of freedom the collar duet book 1 engl - May 31 2022

web the collar of freedom the collar duet book 1 engl pdf copy black ortax org created date 9 4 2023 5 16 20 am

[kof 2001 dhalsim india vs regiskoumba93 ft5 youtube](#) - Dec 26 2021

web freedom fighters 2017 filmleri tür aksiyon animasyon fantastik vizyon tarihi türkiye 2017 konusu 2 dünya savaşını nazilerin kazandığı ve dünyanın nazilerinin

national senior certificate nasionale senior - Apr 30 2022

web nsc nss marking guidelines nasienriglyne copyright reserved kopiereg voorbehou please turn over blaai om asseblief i x i f 1

senior certificate national department of basic education - Jan 08 2023

web subjects to be recognized senior certificate subjects credits that were passed prior to june 2015 at higher grade and standard grade levels excluding lower grade conversions will be recognized with the exception of business english n3 second language and or sakeafrikaans n3 second language no n3 subjects will be recognised

national senior certificate nasionale senior - Nov 06 2022

web national senior certificate nasionale senior sertifikaat grade 11 graad 11 november 2016 mathematics p2 wiskunde v2 memorandum marks punte 150 this memorandum consists of 16 pages hierdie memorandum bestaan uit 16 bladsye 2 mathematics p2 wiskunde v2 ec november 2016

[national senior certificate nasionale senior](#) - Mar 30 2022

web national senior certificate nasionale senior sertifikaat grade graad 11 physical sciences p1 fisiese wetenskappe v1 2 db e november 2015 nsc nss grade

national senior certificate nasionale senior - Jun 13 2023

web national senior certificate nasionale senior sertifikaat grade 10 graad 10 november 2020 physical sciences p2 chemistry fisiese wetenskappe v2 chemie marking guideline nasienriglyn exemplar eksemplaar marks punte 150 this marking guideline consists of 11 pages

[national senior certificate nasionale senior sertifikaat](#) - Dec 07 2022

web national senior certificate nasionale senior sertifikaat grade graad 10 november 2020 technical mathematics p2 tegniese wiskunde v2 marking guideline nasienriglyn marks punte 100 marking codes nasienkodes a accuracy akkuraatheid ca consistent

national senior certificate nasionale senior - Feb 09 2023

web mathematics p1 wiskunde v1 14 dbe november 2022 nsc nss marking guidelines nasienriglyne copyright reserved kopiereg voorbehou please turn over blaai om asseblief

national senior certificate nasionale senior - Oct 05 2022

web national senior certificate nasionale senior sertifikaat grade 12 graad 12 september 2020 mathematics p1 wiskunde v1 marking guideline nasienriglyn marks punte 150 this marking guideline consists of 16 pages hierdie nasienriglyn bestaan uit 16 bladsye 2 mathematics p1 wiskunde

nansen pasaportu vikipedi - Dec 27 2021

web nansen pasaportu rus mültecileri kimlik belgeleri hükûmetlerarası konferansı nda varılan uluslararası anlaşma sonrasında basıldı milletler cemiyeti için mülteciler yüksek komiserliği rolüyle 3 5 temmuz 1922 tarihleri arası cenevre de fridtjof nansen tarafından toplandı 1 1942 tarihinde 52 ülkenin hükûmetleri

national senior certificate nasionale senior - Aug 03 2022

web national senior certificate nasionale senior sertifikaat grade graad 10 physical sciences p1 fisiese wetenskappe v1 2dbe 2012 nsc nss grade 10 exemplar graad 10 model

national senior certificate nasionale senior - Jul 02 2022

web simpli vereenv answer antwoord 3 6 3 h x 2 x 8 answer antwoord 2 6 4 the graph of g was reflected over the x axis to form h

national senior certificate nasionale senior - Mar 10 2023

web national senior certificate nasionale senior sertifikaat grade graad 10 november 2019 physical sciences physics p1 fisiese wetenskappe fisika v1 marking guideline nasienriglyn exemplar eksemplaar marks punte 150 this marking guideline consists of 12

[national senior certificate nasionale senior](#) - May 12 2023

web nsc

national senior certificate nasionale senior - Sep 04 2022

web multiplication of bases with same exponents vermenigv van basisse met dies eksp

nsc examinations national department of basic education - Aug 15 2023

web the national senior certificate nsc examinations commonly referred to as matric has become an annual event of major public significance it not only signifies the culmination of twelve years of formal schooling but the nsc examinations is a barometer of the health of the education system

national senior certificate nasionale senior - Jan 28 2022

web the net force acting on an object is equal to the rate of change of momentum of the object in the direction of the force 2 or 0

national senior certificate nasionale senior - Jul 14 2023

web national senior certificate nasionale senior sertifikaat grade graad10 november 2020 physical sciences physics p1 fisiese wetenskappe fisika v1 marking guideline nasienriglyn exemplar eksemplaar marks punte 150

grade 12 national senior certificate nsc - Jun 01 2022

web grade 12 national senior certificate nsc november registration form graad 12 nasionale senior sertifikaat nss november registrasievorm closing date 15 march 2023 sluitingsdatum 15 maart 2023 instructions instruksies

national senior certificate nasionale senior - Apr 11 2023

web national senior certificate nasionale senior sertifikaat grade graad 10 national senior certificate nasionale senior sertifikaat grade graad 10 physical sciences physics p1 fisiese wetenskappe fisika v1 november 2017 marking

national senior certificate nasionale senior - Feb 26 2022

web n enkele krag wat dieselfde effek het as al die ander kragte tesame 2 2 2 upward positive opwaarts positief f