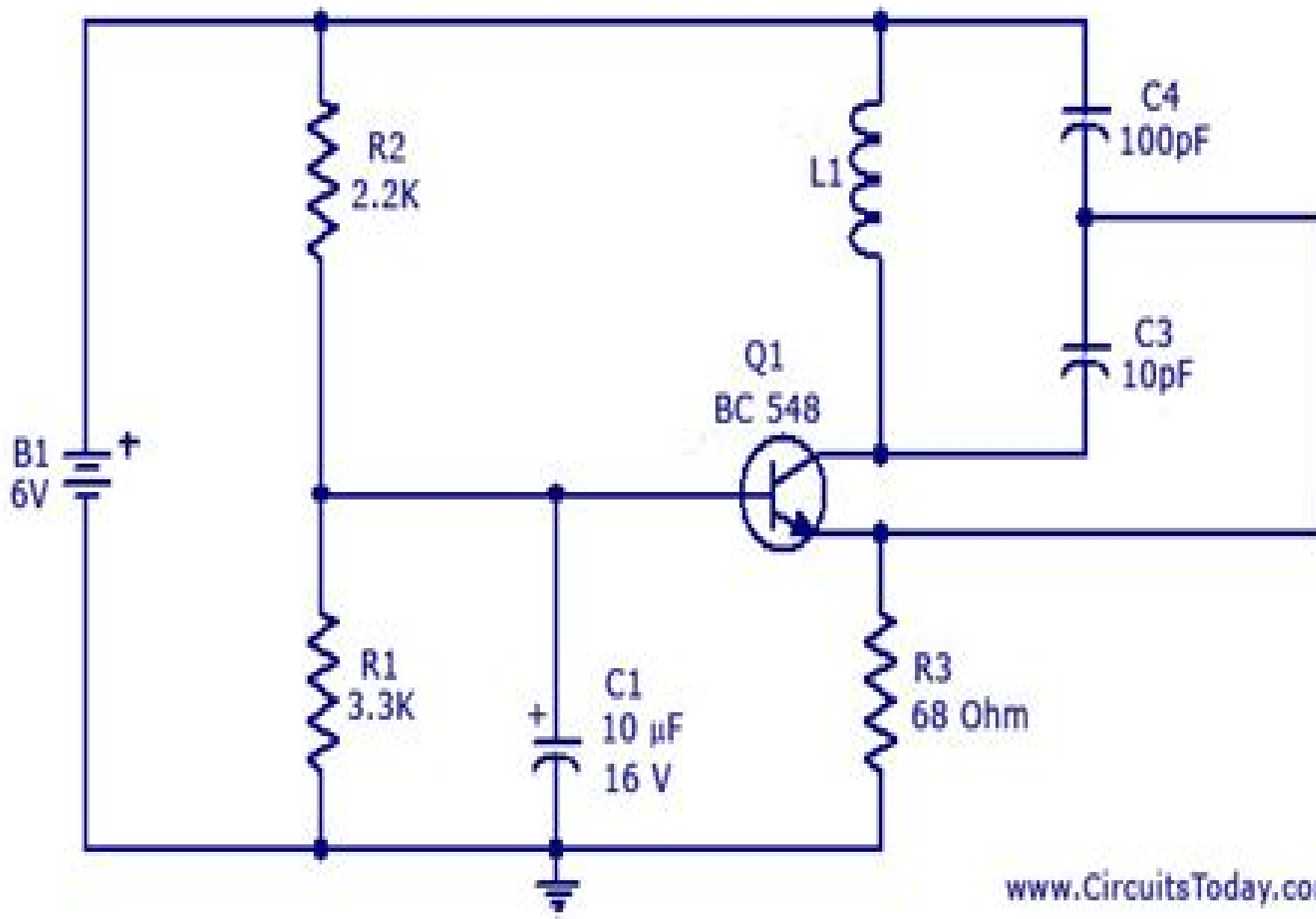


METAL DETECTOR CIRCUIT



Manual Metal Detector Circuit Diagrams

**Franz F.P. Kollmann, E.W. Kuenzi, A.J.
Stamm**

Manual Metal Detector Circuit Diagrams:

Walk-through Metal Detectors for Use in Concealed Weapon and Contraband Detection Nicholas G. Paulter (Jr.),2003

Hand-held metal detectors for use in concealed weapon and contraband detection Nicholas G. Paulter (Jr.),2003

Hygiene in Food Processing H.L.M. Lelieveld,John Holah,David Napper,2014-02-14 The hygienic processing of food concerns both potential hazards in food products and the regulation design and management of food processing facilities This second edition of Hygiene in Food Processing gives a revised overview of the practices for safe processing and incorporates additional chapters concerning pest control microbiological environmental sampling and the economics of food plants Part one addresses microbial risks in foods and the corresponding regulation in the European Union Part two discusses the hygienic design of food factory infrastructure encompassing the design and materials for the factory itself as well as food processing equipment This edition includes a new chapter on the control of compressed gases used to pneumatically operate equipment Part three focuses on cleaning and disinfection practices in food processing The chapter on cleaning in place also considers more cost effective systems and complements the additional chapter on maintenance of equipment These chapters also explore issues such as the hygiene of workers potential infection by foreign bodies and pest control Further the chapter on microbiological sampling explains how to calculate the risk of contamination depending on the product s environment This essential second edition is useful to professionals responsible for hygiene in the food industry It provides a comprehensive yet concise and practical reference source for food plant managers suppliers of food processing equipment building contractors and food inspectors looking for an authoritative introduction to hygiene regulation hygienic design and sanitation Provides a revised overview of the practices for safe processing Incorporates additional chapters concerning pest control microbiological environmental sampling and the economics of food plants This essential second edition is useful for professionals responsible for hygiene in the food industry *Popular Mechanics* ,1968-05 Popular Mechanics inspires instructs and influences readers to help them master the modern world Whether it s practical DIY home improvement tips gadgets and digital technology information on the newest cars or the latest breakthroughs in science PM is the ultimate guide to our high tech lifestyle **Manual of instruction in army signalling. [Continued as] Signalling instructions [afterw.] regulations. [Continued as] Training manual-signalling. [With] Amendments. [Continued as] Signal training. [With] Amendments** War office,1919 *Technical Manual* United States. War Department,1961 **Perpetual Trouble Shooter's Manual** John Francis Rider,1936 Electrician's Wiring Manual Frank Ferdinand Sengstock,1914 **Popular Electronics** ,1981 *Technical Manual* United States Department of the Army, *Robison's Manual of Radio Telegraphy and Telephony* Samuel Shelburne Robison,1924 *Pit & Quarry* ,1971 **Principles of Wood Science and Technology** Franz F.P. Kollmann,E.W. Kuenzi,A.J. Stamm,2012-12-06 **Adult Catalog: Subjects** Los Angeles County Public Library,1970 *Training Manual* United States. Army. Signal Corps,1924 **Training Manual**

United States. War Dept,1924 **Manual of Wireless Telegraphy (radio) for the Use of Naval Electricians** Samuel
Shelburne Robison,1913 Batcheller Collection **The Metal Turner's Handybook** Paul Nooncree Hasluck,1906 The
MYE Technical Manual P.R. Mallory & Co,1942 **Manual of Wireless Telegraphy for the Use of Naval Electricians**
Samuel Shelburne Robison,1911

Embark on a transformative journey with Written by is captivating work, Grab Your Copy of **Manual Metal Detector Circuit Diagrams** . This enlightening ebook, available for download in a convenient PDF format , invites you to explore a world of boundless knowledge. Unleash your intellectual curiosity and discover the power of words as you dive into this riveting creation. Download now and elevate your reading experience to new heights .

<http://www.armchairempire.com/public/browse/default.aspx/Machinists%20Cnc%20Reference%20Guide.pdf>

Table of Contents Manual Metal Detector Circuit Diagrams

1. Understanding the eBook Manual Metal Detector Circuit Diagrams
 - The Rise of Digital Reading Manual Metal Detector Circuit Diagrams
 - Advantages of eBooks Over Traditional Books
2. Identifying Manual Metal Detector Circuit Diagrams
 - Exploring Different Genres
 - Considering Fiction vs. Non-Fiction
 - Determining Your Reading Goals
3. Choosing the Right eBook Platform
 - Popular eBook Platforms
 - Features to Look for in an Manual Metal Detector Circuit Diagrams
 - User-Friendly Interface
4. Exploring eBook Recommendations from Manual Metal Detector Circuit Diagrams
 - Personalized Recommendations
 - Manual Metal Detector Circuit Diagrams User Reviews and Ratings
 - Manual Metal Detector Circuit Diagrams and Bestseller Lists
5. Accessing Manual Metal Detector Circuit Diagrams Free and Paid eBooks
 - Manual Metal Detector Circuit Diagrams Public Domain eBooks
 - Manual Metal Detector Circuit Diagrams eBook Subscription Services
 - Manual Metal Detector Circuit Diagrams Budget-Friendly Options

6. Navigating Manual Metal Detector Circuit Diagrams eBook Formats
 - ePub, PDF, MOBI, and More
 - Manual Metal Detector Circuit Diagrams Compatibility with Devices
 - Manual Metal Detector Circuit Diagrams Enhanced eBook Features
7. Enhancing Your Reading Experience
 - Adjustable Fonts and Text Sizes of Manual Metal Detector Circuit Diagrams
 - Highlighting and Note-Taking Manual Metal Detector Circuit Diagrams
 - Interactive Elements Manual Metal Detector Circuit Diagrams
8. Staying Engaged with Manual Metal Detector Circuit Diagrams
 - Joining Online Reading Communities
 - Participating in Virtual Book Clubs
 - Following Authors and Publishers Manual Metal Detector Circuit Diagrams
9. Balancing eBooks and Physical Books Manual Metal Detector Circuit Diagrams
 - Benefits of a Digital Library
 - Creating a Diverse Reading Collection Manual Metal Detector Circuit Diagrams
10. Overcoming Reading Challenges
 - Dealing with Digital Eye Strain
 - Minimizing Distractions
 - Managing Screen Time
11. Cultivating a Reading Routine Manual Metal Detector Circuit Diagrams
 - Setting Reading Goals Manual Metal Detector Circuit Diagrams
 - Carving Out Dedicated Reading Time
12. Sourcing Reliable Information of Manual Metal Detector Circuit Diagrams
 - Fact-Checking eBook Content of Manual Metal Detector Circuit Diagrams
 - Distinguishing Credible Sources
13. Promoting Lifelong Learning
 - Utilizing eBooks for Skill Development
 - Exploring Educational eBooks
14. Embracing eBook Trends
 - Integration of Multimedia Elements

- Interactive and Gamified eBooks

Manual Metal Detector Circuit Diagrams Introduction

In today's digital age, the availability of Manual Metal Detector Circuit Diagrams books and manuals for download has revolutionized the way we access information. Gone are the days of physically flipping through pages and carrying heavy textbooks or manuals. With just a few clicks, we can now access a wealth of knowledge from the comfort of our own homes or on the go. This article will explore the advantages of Manual Metal Detector Circuit Diagrams books and manuals for download, along with some popular platforms that offer these resources. One of the significant advantages of Manual Metal Detector Circuit Diagrams books and manuals for download is the cost-saving aspect. Traditional books and manuals can be costly, especially if you need to purchase several of them for educational or professional purposes. By accessing Manual Metal Detector Circuit Diagrams versions, you eliminate the need to spend money on physical copies. This not only saves you money but also reduces the environmental impact associated with book production and transportation. Furthermore, Manual Metal Detector Circuit Diagrams books and manuals for download are incredibly convenient. With just a computer or smartphone and an internet connection, you can access a vast library of resources on any subject imaginable. Whether you're a student looking for textbooks, a professional seeking industry-specific manuals, or someone interested in self-improvement, these digital resources provide an efficient and accessible means of acquiring knowledge. Moreover, PDF books and manuals offer a range of benefits compared to other digital formats. PDF files are designed to retain their formatting regardless of the device used to open them. This ensures that the content appears exactly as intended by the author, with no loss of formatting or missing graphics. Additionally, PDF files can be easily annotated, bookmarked, and searched for specific terms, making them highly practical for studying or referencing. When it comes to accessing Manual Metal Detector Circuit Diagrams books and manuals, several platforms offer an extensive collection of resources. One such platform is Project Gutenberg, a nonprofit organization that provides over 60,000 free eBooks. These books are primarily in the public domain, meaning they can be freely distributed and downloaded. Project Gutenberg offers a wide range of classic literature, making it an excellent resource for literature enthusiasts. Another popular platform for Manual Metal Detector Circuit Diagrams books and manuals is Open Library. Open Library is an initiative of the Internet Archive, a non-profit organization dedicated to digitizing cultural artifacts and making them accessible to the public. Open Library hosts millions of books, including both public domain works and contemporary titles. It also allows users to borrow digital copies of certain books for a limited period, similar to a library lending system. Additionally, many universities and educational institutions have their own digital libraries that provide free access to PDF books and manuals. These libraries often offer academic texts, research papers, and technical manuals, making them invaluable resources for students and researchers. Some notable examples include MIT OpenCourseWare,

which offers free access to course materials from the Massachusetts Institute of Technology, and the Digital Public Library of America, which provides a vast collection of digitized books and historical documents. In conclusion, Manual Metal Detector Circuit Diagrams books and manuals for download have transformed the way we access information. They provide a cost-effective and convenient means of acquiring knowledge, offering the ability to access a vast library of resources at our fingertips. With platforms like Project Gutenberg, Open Library, and various digital libraries offered by educational institutions, we have access to an ever-expanding collection of books and manuals. Whether for educational, professional, or personal purposes, these digital resources serve as valuable tools for continuous learning and self-improvement. So why not take advantage of the vast world of Manual Metal Detector Circuit Diagrams books and manuals for download and embark on your journey of knowledge?

FAQs About Manual Metal Detector Circuit Diagrams Books

1. Where can I buy Manual Metal Detector Circuit Diagrams books? Bookstores: Physical bookstores like Barnes & Noble, Waterstones, and independent local stores. Online Retailers: Amazon, Book Depository, and various online bookstores offer a wide range of books in physical and digital formats.
2. What are the different book formats available? Hardcover: Sturdy and durable, usually more expensive. Paperback: Cheaper, lighter, and more portable than hardcovers. E-books: Digital books available for e-readers like Kindle or software like Apple Books, Kindle, and Google Play Books.
3. How do I choose a Manual Metal Detector Circuit Diagrams book to read? Genres: Consider the genre you enjoy (fiction, non-fiction, mystery, sci-fi, etc.). Recommendations: Ask friends, join book clubs, or explore online reviews and recommendations. Author: If you like a particular author, you might enjoy more of their work.
4. How do I take care of Manual Metal Detector Circuit Diagrams books? Storage: Keep them away from direct sunlight and in a dry environment. Handling: Avoid folding pages, use bookmarks, and handle them with clean hands. Cleaning: Gently dust the covers and pages occasionally.
5. Can I borrow books without buying them? Public Libraries: Local libraries offer a wide range of books for borrowing. Book Swaps: Community book exchanges or online platforms where people exchange books.
6. How can I track my reading progress or manage my book collection? Book Tracking Apps: Goodreads, LibraryThing, and Book Catalogue are popular apps for tracking your reading progress and managing book collections. Spreadsheets: You can create your own spreadsheet to track books read, ratings, and other details.

7. What are Manual Metal Detector Circuit Diagrams audiobooks, and where can I find them? Audiobooks: Audio recordings of books, perfect for listening while commuting or multitasking. Platforms: Audible, LibriVox, and Google Play Books offer a wide selection of audiobooks.
8. How do I support authors or the book industry? Buy Books: Purchase books from authors or independent bookstores. Reviews: Leave reviews on platforms like Goodreads or Amazon. Promotion: Share your favorite books on social media or recommend them to friends.
9. Are there book clubs or reading communities I can join? Local Clubs: Check for local book clubs in libraries or community centers. Online Communities: Platforms like Goodreads have virtual book clubs and discussion groups.
10. Can I read Manual Metal Detector Circuit Diagrams books for free? Public Domain Books: Many classic books are available for free as they're in the public domain. Free E-books: Some websites offer free e-books legally, like Project Gutenberg or Open Library.

Find Manual Metal Detector Circuit Diagrams :

[machinists cnc reference guide](#)

mac outlook manual

m777a2 technical manual 20p

magellan 4050 user manual

[magazine elle a 11 november 2014 uk online read download free](#)

[macroeconomics 4th edition mankiw scarth](#)

macroeconomics and econportal access card for micro or macroeconomics 6 month

macroeconomics blanchard 6th edition solutions

mac compressor manual

[mae jemison rookie biographies](#)

[ma vie ma tresse maitresse diane](#)

mack triple countershaft transmission manual

[macroeconomic reference](#)

[maatstaf mei juni 1977 nr 56](#)

magazine club international uk a 5 may 2014 uk online read view download free

Manual Metal Detector Circuit Diagrams :

emotionally healthy spirituality workbook updated edition - Mar 10 2023

web apr 25 2017 about the author peter scazzero along with his wife geri founded emotionally healthy discipleship a groundbreaking ministry that moves the church forward by slowing the church down in order to multiply deeply changed leaders and disciples

emotionally healthy spirituality zondervan - Dec 27 2021

web peter scazzero learned the hard way you can t be spiritually mature while remaining emotionally immature even though he was the pastor of a growing church he did what most people do avoid conflict in the name of christianity ignore his anger sadness and fear use god to run from god and live without boundaries

emotionally healthy spirituality google books - Mar 30 2022

web apr 25 2017 peter scazzero along with his wife geri founded emotionally healthy discipleship a groundbreaking ministry that moves the church forward by slowing the church down in order to multiply deeply changed leaders and disciples

emotionally healthy spirituality - Aug 15 2023

web emotionally healthy spirituality workbook updated edition copyright 2008 2014 2017 by peter and geri scazzero this title is also available as a zondervan ebook requests for information should be addressed to zondervan 3900 sparks dr se grand rapids michigan 49546 isbn 978 0 310 08519 5

emotionally healthy spirituality expanded edition workbook plus - May 12 2023

web dec 21 2021 emotionally healthy spirituality expanded edition workbook plus streaming video discipleship that deeply changes your relationship with god scazzero peter scazzero geri on amazon com free shipping on qualifying offers

emotionally healthy spirituality workbook peter scazzero geri - Apr 11 2023

web feb 20 2008 the emotionally healthy spirituality workbook is designed for use as a companion resource to help begin the journey of applying the profound biblical truths found in the emotionally healthy spirituality book

emotionally healthy spirituality course workbook it s impossible - Jun 13 2023

web aug 12 2014 emotionally healthy spirituality course workbook it s impossible to be spiritually mature while remaining emotionally immature scazzero peter 9780310882534 amazon com books books

eh spirituality book paperback emotionally healthy discipleship - Jun 01 2022

web the larger course includes a dvd the emotionally healthy spirituality day by day daily devotional and the emotionally healthy spirituality workbook pete outlines his journey and offers a road map for a discipleship with jesus that is powerfully trans formative topics include how to identify emotionally unhealthy spirituality how to grow

[emotionally healthy spirituality expanded edition workbook plus](#) - Jan 08 2023

web emotionally healthy spirituality expanded edition workbook plus streaming video discipleship that deeply changes your relationship with god ebook written by peter scazzero geri scazzero read this book using google play books app on your pc android ios devices

emotionally healthy spirituality it s impossible to be spiritually - Dec 07 2022

web aug 12 2014 emotionally healthy spirituality it s impossible to be spiritually mature while remaining emotionally immature scazzero peter on amazon com free shipping on qualifying offers emotionally healthy spirituality it s impossible to be spiritually mature while remaining emotionally immature

[emotionally healthy spirituality workbook updated overdrive](#) - Oct 05 2022

web apr 25 2017 in the emotionally healthy spirituality workbook peter scazzero outlines a roadmap for discipleship with jesus that is powerfully transformative he unveils what s wrong with our current definition of spiritual growth and offers not only a model of spirituality that actually works but seven steps to change that will help you experience

[emotionally healthy spirituality course workbook by peter scazzero](#) - Apr 30 2022

web jul 17 2023 emotionally healthy spirituality course workbook by peter scazzero 2014 zondervan edition in english workbook edition

emotionally healthy spirituality workbook expanded edition - Aug 03 2022

web emotionally healthy spirituality workbook expanded edition discipleship that deeply changes your relationship with god scazzero peter scazzero geri amazon com au books

emotionally healthy spirituality workbook updated edition - Feb 09 2023

web apr 25 2017 in the emotionally healthy spirituality workbook peter scazzero outlines a roadmap for discipleship with jesus that is powerfully transformative he unveils what s wrong with our current definition of spiritual growth and offers not only a model of spirituality that actually works but

emotionally healthy spirituality workbook updated edition - Jul 14 2023

web apr 25 2017 in the emotionally healthy spirituality workbook peter scazzero outlines a roadmap for discipleship with jesus that is powerfully transformative he unveils what s wrong with our current definition of spiritual growth and offers not only a model of spirituality that actually works but seven steps to change that will help you experience

emotionally healthy spirituality by peter scazzero open library - Feb 26 2022

web aug 30 2020 emotionally healthy spirituality by peter scazzero 2017 zondervan edition in english

emotionally healthy spirituality by peter scazzero ebook - Jan 28 2022

web in this updated edition scazzero shares new stories and principles as he outlines his journey and the signs of emotionally

unhealthy spirituality then he provides seven biblical reality tested steps to become emotionally mature become your authentic self break the power of the past let go of power and control

emotionally healthy spirituality updated edition peter scazzero - Nov 06 2022

web you ll learn to identify unhealthy spirituality grow through grief and loss and more this updated edition serves as the core text for the emotionally healthy spirituality course emotionally healthy spirituality updated edition 9780310348498 by peter scazzero

emotionally healthy spirituality workbook streaming video by peter - Sep 04 2022

web emotionally healthy spirituality expanded edition workbook plus streaming video discipleship that deeply changes your relationship with god by peter scazzero geri scazzero 0 reviews 10 99 22 99 save 52

emotionally healthy spirituality workbook ebook by peter scazzero - Jul 02 2022

web the workbook includes session introductions group discussion questions application and between sessions personal study this workbook is part one of the emotionally healthy discipleship course that also includes the bestselling books emotionally healthy spirituality and emotionally healthy spirituality day by day

ultimateguitar bass bonanza bass recorded version pdf - Dec 27 2021

web version getting the books ultimateguitar bass bonanza bass recorded version now is not type of inspiring means you could not lonesome going in the same way as books

ultimateguitar bass bonanza bass recorded versions by - Oct 05 2022

web feb 20 2021 ultimateguitar bass bonanza bass recorded versions by ultimateguitar bass bonanza bass recorded versions by various 17 jan 2013

ultimateguitar bass bonanza bass recorded version hal - Oct 25 2021

ultimate guitar bass bonanza recorded versions - Apr 11 2023

web ultimate guitar bass bonanza recorded versions ultimate guitar bass bonanza recorded versions skip to content wed sat 10am 5pm 10 off all strings with

libro ultimateguitar bass bonanza bass recorded versions - Jun 01 2022

web may 11 2023 than this ultimateguitar bass bonanza bass recorded version but stop up in harmful downloads rather than enjoying a good book behind a cup of coffee in the

ultimateguitar bass bonanza bass recorded version pdf - Mar 30 2022

web ultimateguitar bass bonanza bass recorded version pdf ultimate guitar bass bonanza recorded versions softcover 50 note for note accurate transcriptions for top songs

[descargar ultimateguitar bass bonanza bass recorded](#) - Jul 02 2022

web may 4 2023 [ultimateguitar bass bonanza bass recorded version 2 6](#) downloaded from uniport edu ng on may 4 2023 by guest as well as music by some of the significant

[ultimateguitar bass bonanza bass recorded version hal](#) - Feb 26 2022

web apr 26 2023 [ultimateguitar bass bonanza bass recorded version 1 7](#) downloaded from uniport edu ng on april 26 2023 by guest ultimateguitar bass bonanza bass recorded

hal leonard releases ultimate guitar bass bonanza - Mar 10 2023

web ultimate guitar bass bonanza recorded versions 0 customer review s quick overview additional information sku 691173 we only ship this item within australia

[ultimateguitar bass bonanza sheet music plus](#) - Jan 08 2023

web buy ultimateguitar bass bonanza bass recorded versions by various 17 jan 2013 paperback by isbn from amazon s book store everyday low prices and free delivery

ultimateguitar bass bonanza bass recorded versions - Jul 14 2023

web ultimateguitar bass bonanza bass recorded versions various amazon com tr kitap

ultimate guitar bass bonanza recorded versions - Dec 07 2022

web ultimateguitar bass bonanza bass recorded versions by various 17 jan 2013 paperback books amazon ca

ultimateguitar bass bonanza bass recorded version pdf - Apr 30 2022

web ultimateguitar bass bonanza bass recorded version right here we have countless ebook ultimateguitar bass bonanza bass recorded version and collections to check

ultimateguitar bass bonanza bass recorded version - Sep 23 2021

ultimate guitar bass bonanza recorded versions - Feb 09 2023

web 50 note for note accurate transcriptions for top songs including another one bites the dust the boys are back in town brick house carry on wayward son come

ultimateguitarbassbonanzabassrecordedversion download - Jan 28 2022

web download and install ultimateguitar bass bonanza bass recorded version therefore simple complete jethro burns mandolin jethro burns 2015 12 22 learn from the

ultimateguitar bass bonanza bass recorded versions by - Nov 06 2022

web ultimateguitar bass bonanza bass recorded version below play like freddie king dave rubin 2016 06 01 play like study the trademark songs licks tones and

ultimateguitar bass bonanza bass recorded versions hal - Aug 15 2023

web series bass recorded versions 691173 ain t no mountain high enough all the small things animal i have become another one bites the dust are you gonna be my girl

ultimate guitar bass bonanza recorded versions softcover - Jun 13 2023

web 50 note for note accurate transcriptions for top songs including another one bites the dust the boys are back in town brick house carry on wayward son come together

ultimateguitar bass bonanza by hal leonard llc sheet music - May 12 2023

web oct 1 2012 ultimateguitar bass bonanza sheet music by hal leonard llc with a free trial access millions of ebooks and audiobooks and sheet music on the web ipad

ultimateguitar bass bonanza bass recorded version jethro - Sep 04 2022

web jan 13 2021 descripción reseña del editor bass rec versions licensed art 50 note for note accurate transcriptions for top songs including another one bites the dust

gratis ultimateguitar bass bonanza bass recorded versions - Aug 03 2022

web dec 11 2020 gratis ultimateguitar bass bonanza bass recorded versions de hal leonard publishing corporation pdf epub mobi gratis descargar gratis

ultimateguitar bass bonanza bass recorded version james - Nov 25 2021

web from the bass point of view learn how the bass fits into the group the important bass techniques for each style and even what tempos to expect bass players arrangers and

h p lovecraft contre le monde contre la vie biographie 5386 - Mar 30 2022

web h p lovecraft contre le monde contre la vie biographie 5386 houellebecq michel amazon com tr kitap

h p lovecraft contre le monde contre la vie poche decitre - Mar 10 2023

web sep 8 2010 résumé howard phillips lovecraft constitue un exemple pour tous ceux qui souhaitent apprendre à rater leur vie et éventuellement à réussir leur oeuvre encore que sur ce dernier point le résultat ne soit pas garanti

h p lovecraft contre le monde contre la vie broché michel - Feb 09 2023

web h p lovecraft michel houellebecq auteur stephen king préface contre le monde contre la vie paru en septembre 2005 essai broché h p lovecraft 4 1 avis 9 sur les autres formats format broché voir tout broché 15 30 broché 494 05 poche 7 livre audio 12 99 texte lu cd 18 90 résumé voir tout

h p lovecraft contre le monde contre la vie babelio - Jun 13 2023

web dec 1 1999 comme dans la vie lovecraft ne fait aucun effort pour s intéresser à ce qui lui semble inutile ainsi ses personnages sont dotés des seuls éléments nécessaires à leur vie membres souffle système cardiaque et respiratoire plus

[h p lovecraft contre le monde contre la vie google books](#) - Jan 28 2022

web h p lovecraft est l un des maîtres du fantastique il exerce une véritable fascination sur nos contemporains l homme fut un être étrange à la mesure de ses récits terrifiants né dans une ville portuaire il avait la phobie de la mer profondément apathique au point qu il était incapable de maintenir sa chaleur corporelle hostile

[h p lovecraft against the world against life](#) - Apr 30 2022

web release date 1991 h p lovecraft against the world against life originally published as h p lovecraft contre le monde contre la vie is study of h p lovecraft and his oeuvre by french author michel houellebecq first published by Éditions du rocher in 1991 it has since been reprinted many times by many different publishing houses

h p lovecraft contre le monde contre la vie - Feb 26 2022

web dec 1 1999 h p lovecraft contre le monde contre la vie houellebecq michel 9782290053867 books amazon ca

[h p lovecraft contre le monde contre la vie amazon fr](#) - May 12 2023

web h p lovecraft contre le monde contre la vie poche 8 septembre 2010 howard phillips lovecraft constitue un exemple pour tous ceux qui souhaitent apprendre à rater leur vie et éventuellement à réussir leur oeuvre encore que sur ce dernier point le résultat ne soit pas garanti

h p lovecraft contre le monde contre la vie wikipédia - Jul 14 2023

web contre le monde contre la vie est un essai de michel houellebecq publié par michel bulteau en 1991 aux Éditions du rocher cet ouvrage constitue une étude personnelle sur l oeuvre de l écrivain américain howard phillips lovecraft

[h p lovecraft contre le monde contre la vie amazon com](#) - Jul 02 2022

web sep 1 2005 né dans une ville portuaire lovecraft développa et entretint une véritable phobie de la mer profondément apathique et fondamentalement hostile à toutes les valeurs du monde moderne il souffrit toute sa vie durant de cauchemars récurrents

[h p lovecraft against the world against life wikipedia](#) - Aug 15 2023

web h p lovecraft against the world against life french h p lovecraft contre le monde contre la vie is a work of literary criticism by french author michel houellebecq regarding the works of h p lovecraft

h p lovecraft contre le monde contre la vie french edition - Dec 07 2022

web aug 27 2014 michel houellebecq h p lovecraft contre le monde contre la vie french edition kindle edition french edition by michel houellebecq author format kindle edition 143 ratings see all formats and editions kindle 5 99 read with our free app audiobook 0 00 free with your audible trial

[h p lovecraft contre le monde contre la vie format kindle](#) - Jun 01 2022

web howard phillips lovecraft constitue un exemple pour tous ceux qui souhaitent apprendre à rater leur vie et

éventuellement à réussir leur oeuvre encore que sur ce dernier point le résultat ne soit pas garanti

[h p lovecraft contre le monde contre la vie google books](#) - Oct 05 2022

web contre le monde contre la vie howard phillips lovecraft constitue un exemple pour tous ceux qui souhaitent apprendre à rater leur vie et éventuellement à réussir leur oeuvre

[h p lovecraft contre le monde contre la vie littérature](#) - Jan 08 2023

web h p lovecraft contre le monde contre la vie littérature houellebecq michel king stephen amazon com tr kitap

h p lovecraft contre le monde contre la vie collection les - Nov 06 2022

web h p lovecraft contre le monde contre la vie collection les infrequentables michel houellebecq amazon com tr kitap

[h p lovecraft contre le monde contre la vie broché michel](#) - Sep 04 2022

web contre le monde contre la vie h p lovecraft michel houellebecq rocher eds du des milliers de livres avec la livraison chez vous en 1 jour ou en magasin avec 5 de réduction

h p lovecraft contre le monde contre la vie poche michel - Apr 11 2023

web auteur de l appel de cthulhu de dagon et des montagnes hallucinées h p lovecraft maître incontesté de l horreur et du fantastique reste l objet d une fascination toute particulière chez nos contemporains notamment chez michel houellebecq qui le découvrit à l âge de seize ans pour ne plus cesser de le lire

[h p lovecraft contre le monde contre la vie goodreads](#) - Aug 03 2022

web jan 1 1991 lo que nos cuenta el libro h p lovecraft contra el mundo contra la vida publicación original h p lovecraft contre le monde contre la vie 1991 es un acercamiento a lovecraft a su producción su estilo su vida y a los posibles elementos nucleares que definieron tanto al escritor como su trabajo

h p lovecraft contre le monde contre la vie cultura - Dec 27 2021

web contre le monde contre la vie par michel houellebecq aux éditions flammariion howard phillips lovecraft constitue un exemple pour tous ceux qui souhaitent apprendre à rater leur vie et éventuellement à réussir leur oeuvre